



US00D772693S

(12) **United States Design Patent**  
**Beadle**

(10) **Patent No.:** **US D772,693 S**

(45) **Date of Patent:** **\*\* Nov. 29, 2016**

(54) **MOVEABLE BARRIER LOCKING SYSTEM**

(71) Applicant: **Darryl Beadle**, Tallahassee, FL (US)

(72) Inventor: **Darryl Beadle**, Tallahassee, FL (US)

(73) Assignee: **GHOST CONTROLS, LLC**,  
Tallahassee, FL (US)

(\*\*) Term: **15 Years**

(21) Appl. No.: **29/540,782**

(22) Filed: **Oct. 15, 2015**

(51) **LOC (10) Cl.** ..... **08-07**

(52) **U.S. Cl.**  
USPC ..... **D8/339**; D8/330

(58) **Field of Classification Search**  
USPC ..... D8/330, 331, 343, 349, 354, 499, 341;  
70/1.5, 266, 431, 416, 165, 466;  
292/164, 84, 125, 171, 21, 92, 292,  
292/300, DIG. 53, DIG. 65  
CPC ..... E05B 1/00; E05B 9/00; E05B 77/06;  
E05B 51/00  
See application file for complete search history.

(56) **References Cited**

**U.S. PATENT DOCUMENTS**

3,970,213 A \* 7/1976 Clay ..... E05B 65/006  
220/324  
5,165,200 A \* 11/1992 Oga ..... E01F 13/042  
49/49  
D338,609 S \* 8/1993 Ryan ..... D8/331  
5,498,101 A \* 3/1996 Braverman ..... E01F 15/088  
256/13.1

6,516,568 B2 \* 2/2003 Yang ..... E05B 65/007  
49/463  
D524,139 S \* 7/2006 Burns ..... D8/302  
D564,859 S \* 3/2008 Brojanac ..... D13/178  
7,441,995 B2 \* 10/2008 Sobota ..... A61G 3/06  
410/7  
7,576,504 B2 \* 8/2009 Mullet ..... E05F 15/668  
318/445  
D600,530 S \* 9/2009 Caudell ..... D8/330  
8,172,204 B2 \* 5/2012 Serafin ..... E01F 15/025  
256/13.1  
D685,664 S \* 7/2013 Kulkarni ..... D10/113.3  
8,985,644 B2 \* 3/2015 Manny ..... E05B 51/02  
292/144

\* cited by examiner

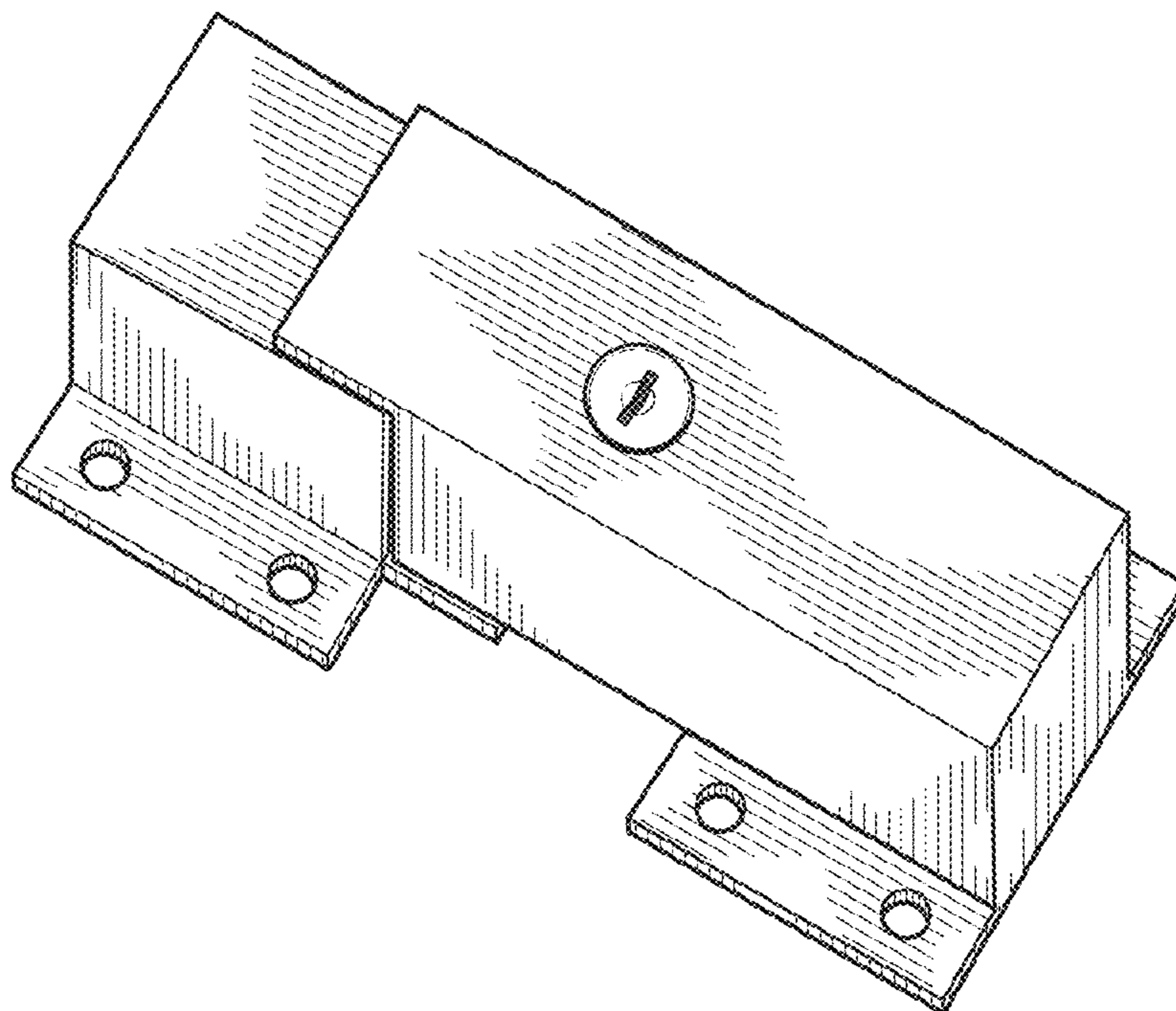
*Primary Examiner* — Prabhakar Deshmukh  
(74) *Attorney, Agent, or Firm* — The Rapacke Law  
Group, P.A.

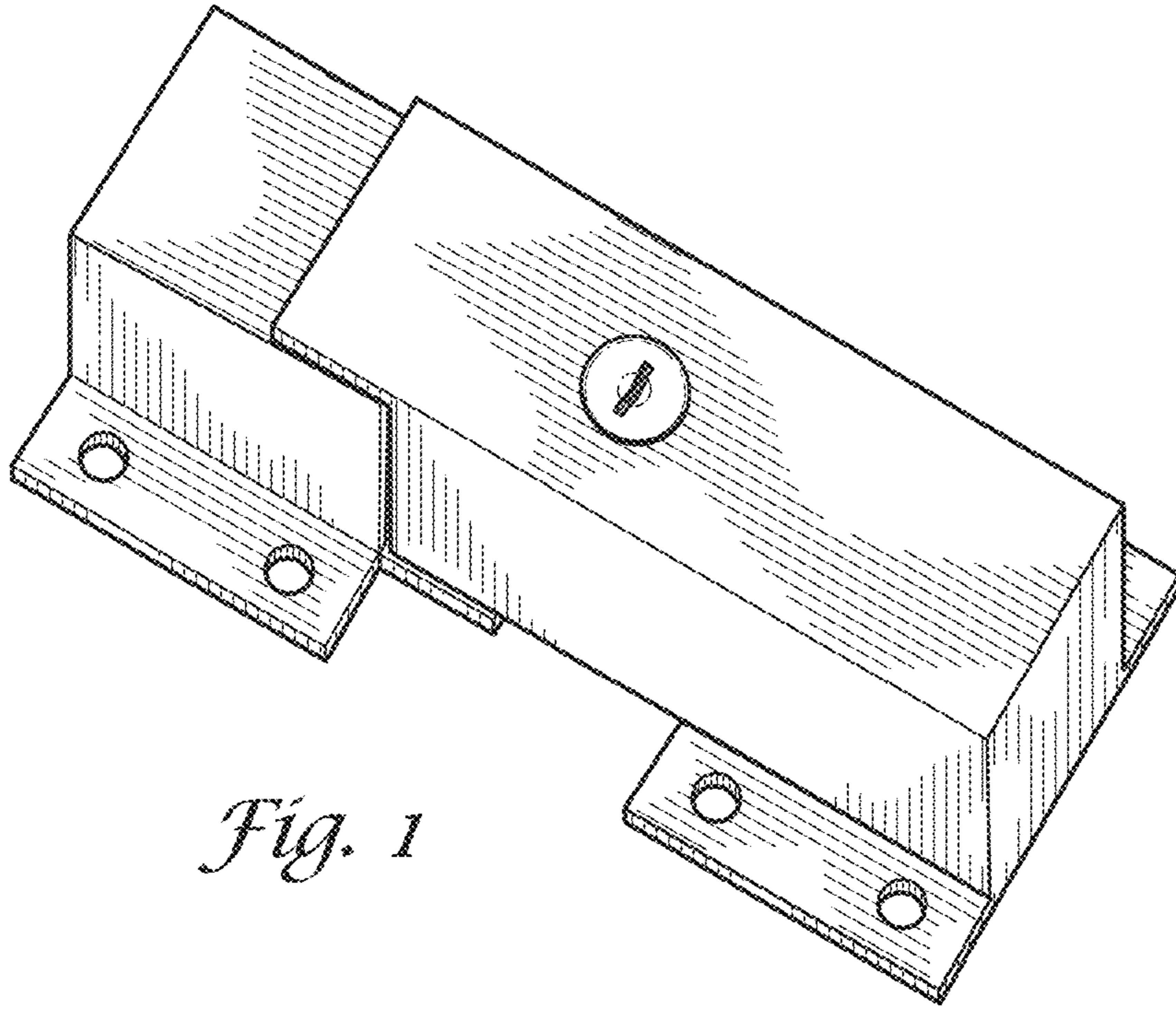
(57) **CLAIM**  
The ornamental design for a movable barrier locking system, as shown and described.

**DESCRIPTION**

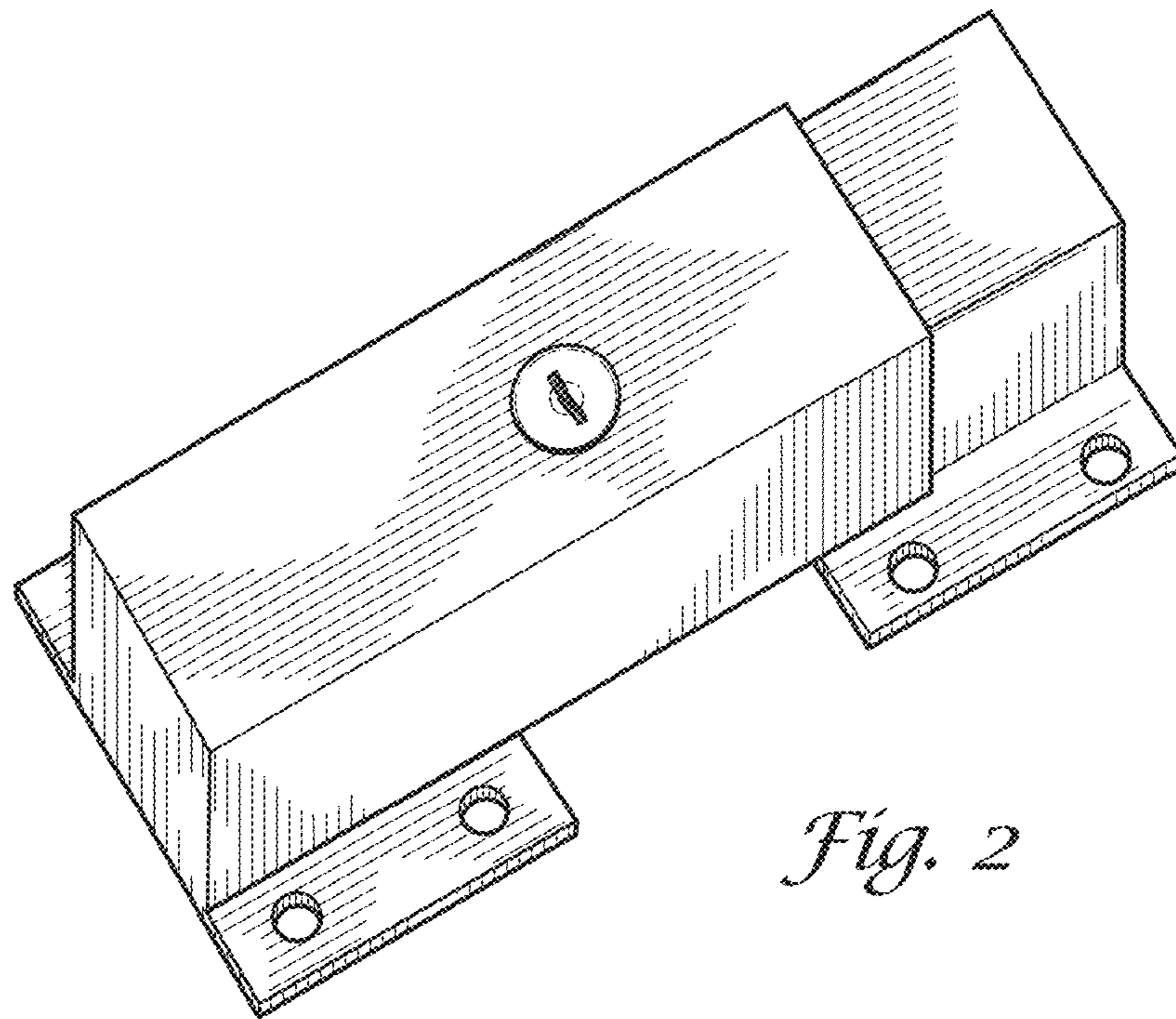
FIG. 1 is a perspective view of a movable barrier locking system showing my new design;  
FIG. 2 is a further perspective view;  
FIG. 3 is a front view thereof;  
FIG. 4 is a rear side view thereof;  
FIG. 5 is a left side view thereof;  
FIG. 6 is a right side view thereof;  
FIG. 7 is a top view thereof; and,  
FIG. 8 is a bottom view thereof.

**1 Claim, 3 Drawing Sheets**

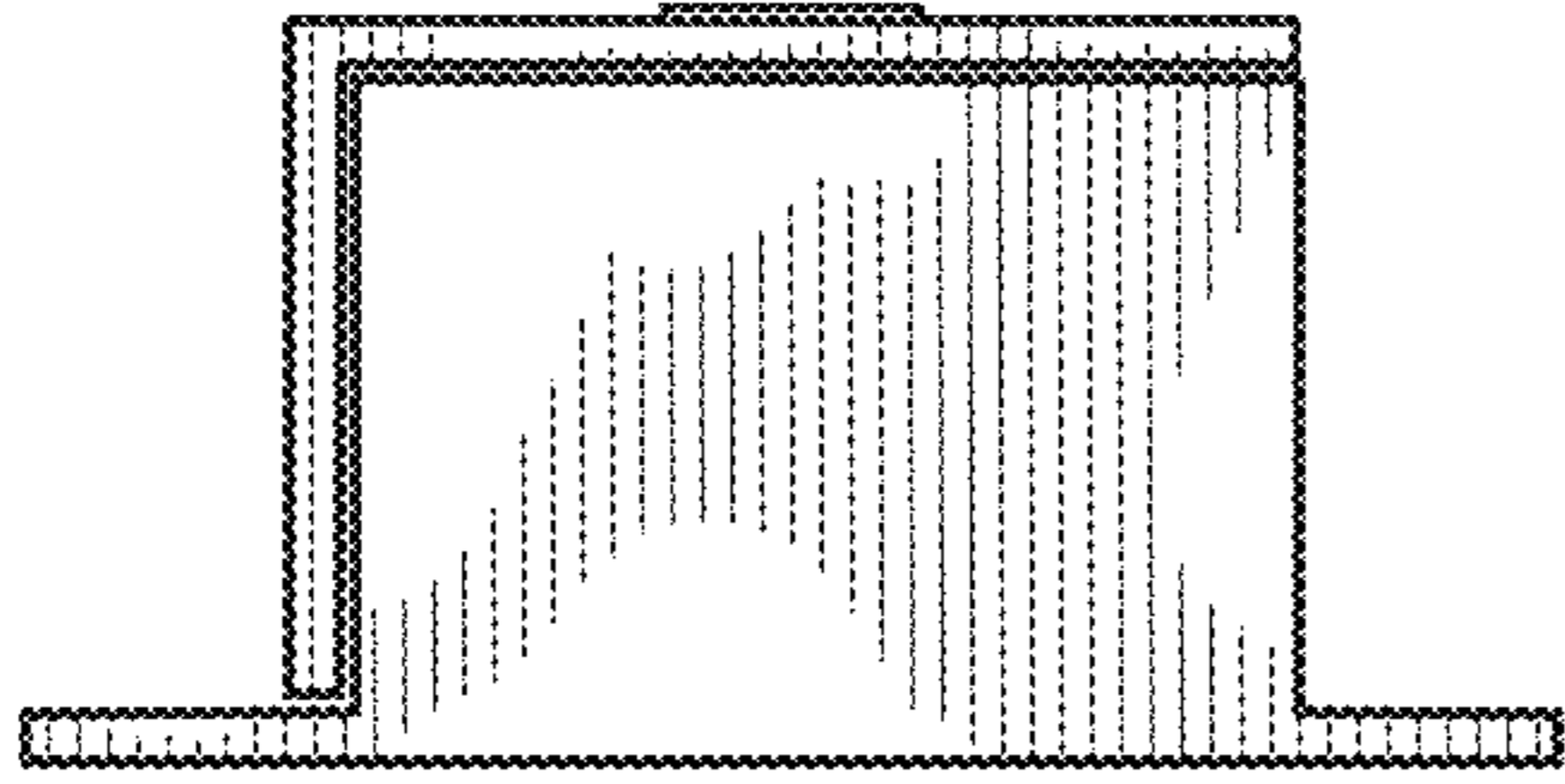




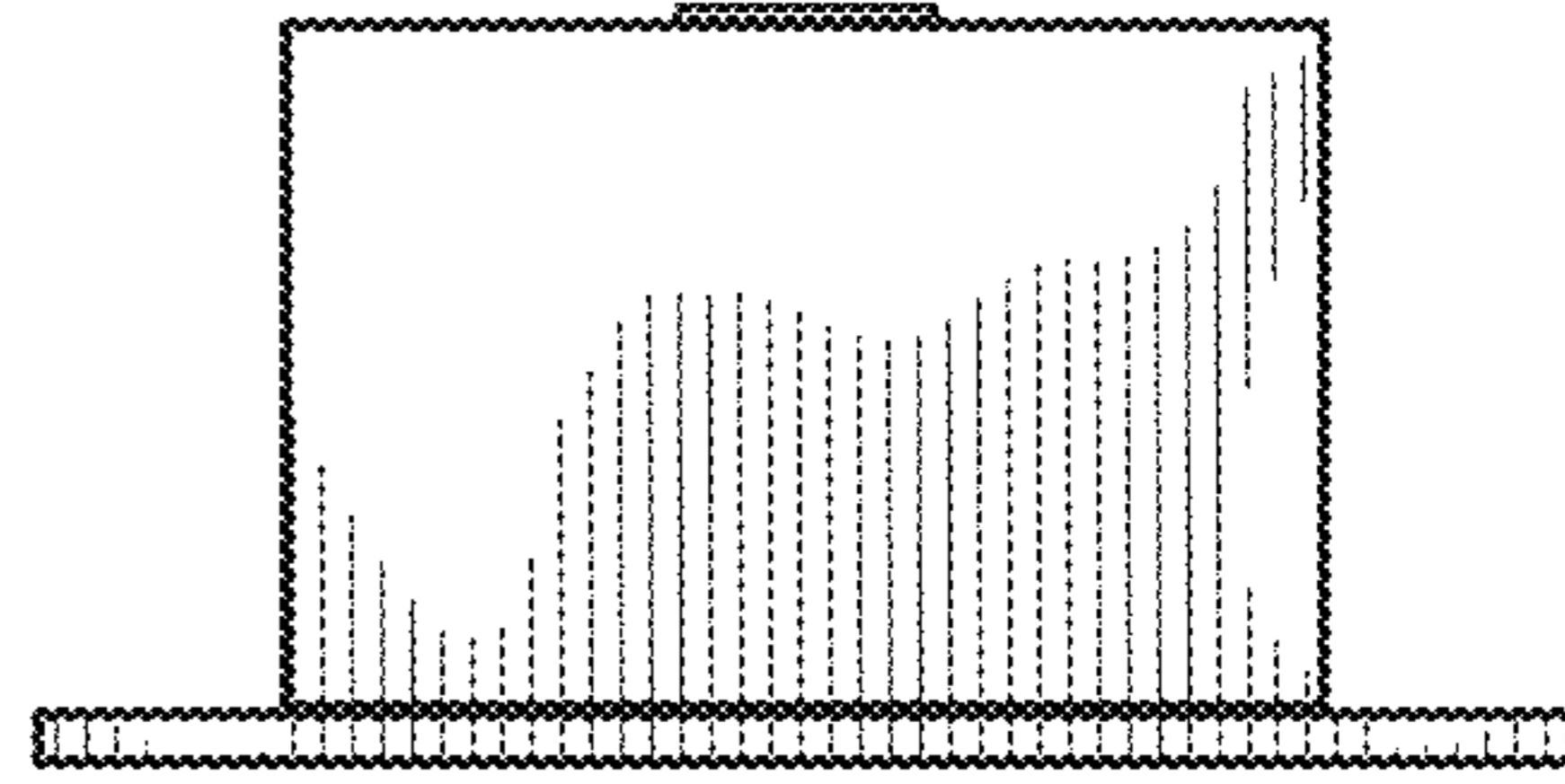
*Fig. 1*



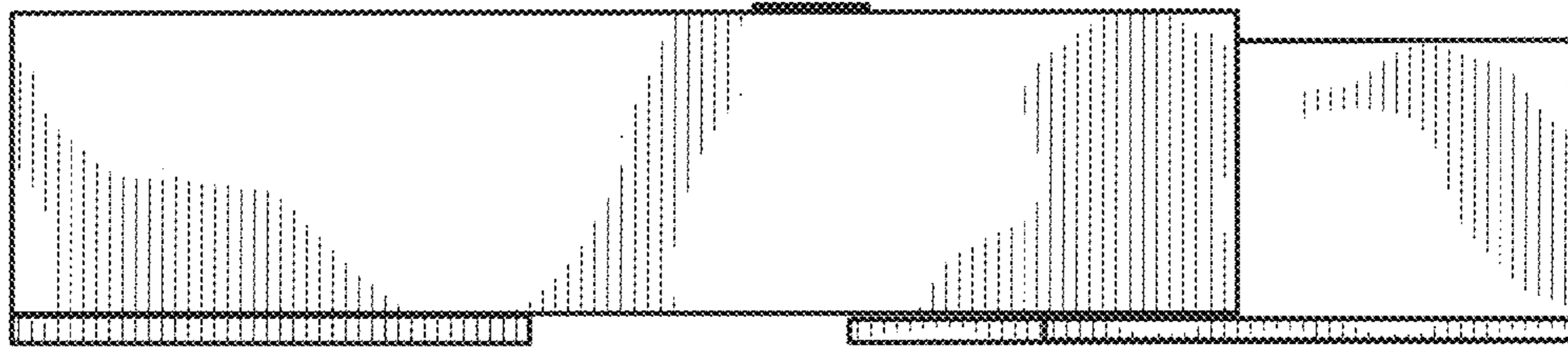
*Fig. 2*



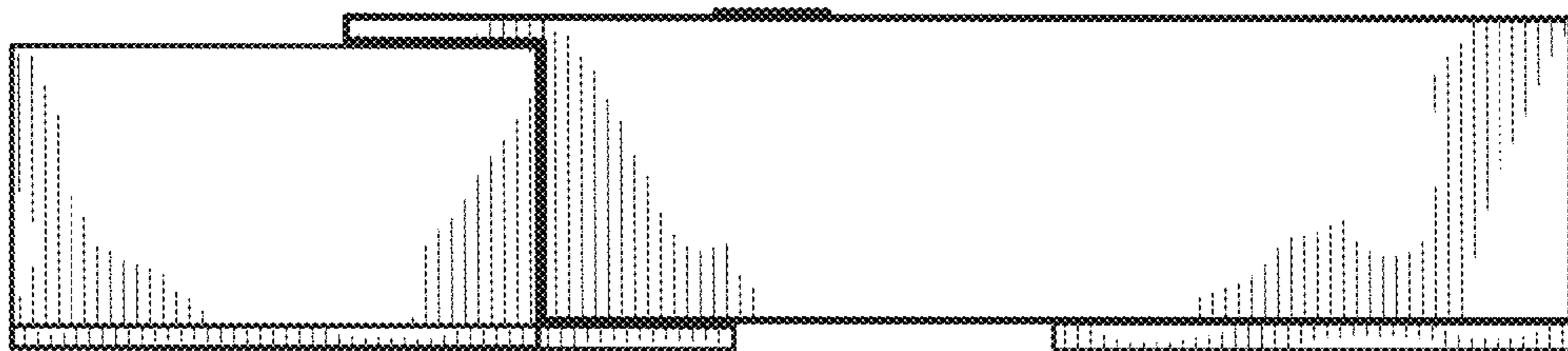
*Fig. 3*



*Fig. 4*

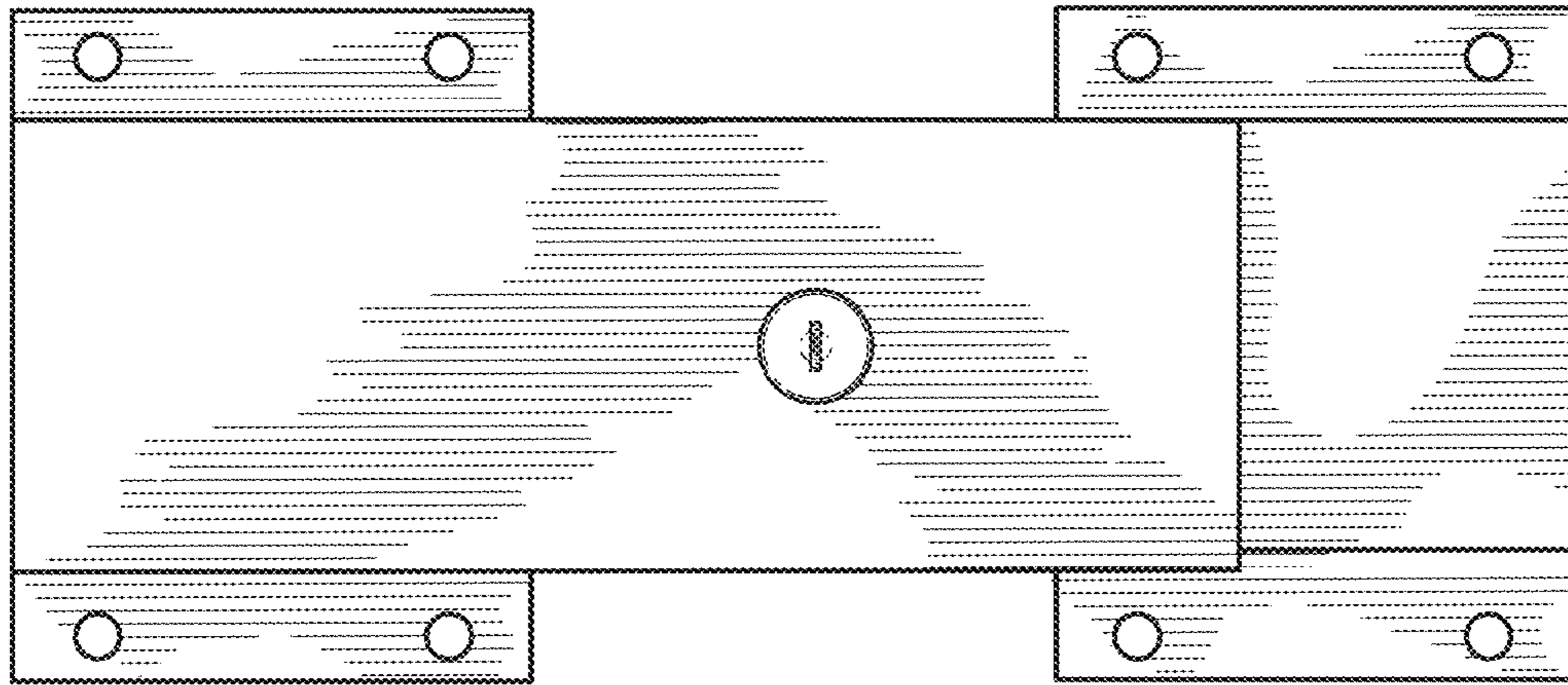


*Fig. 5*

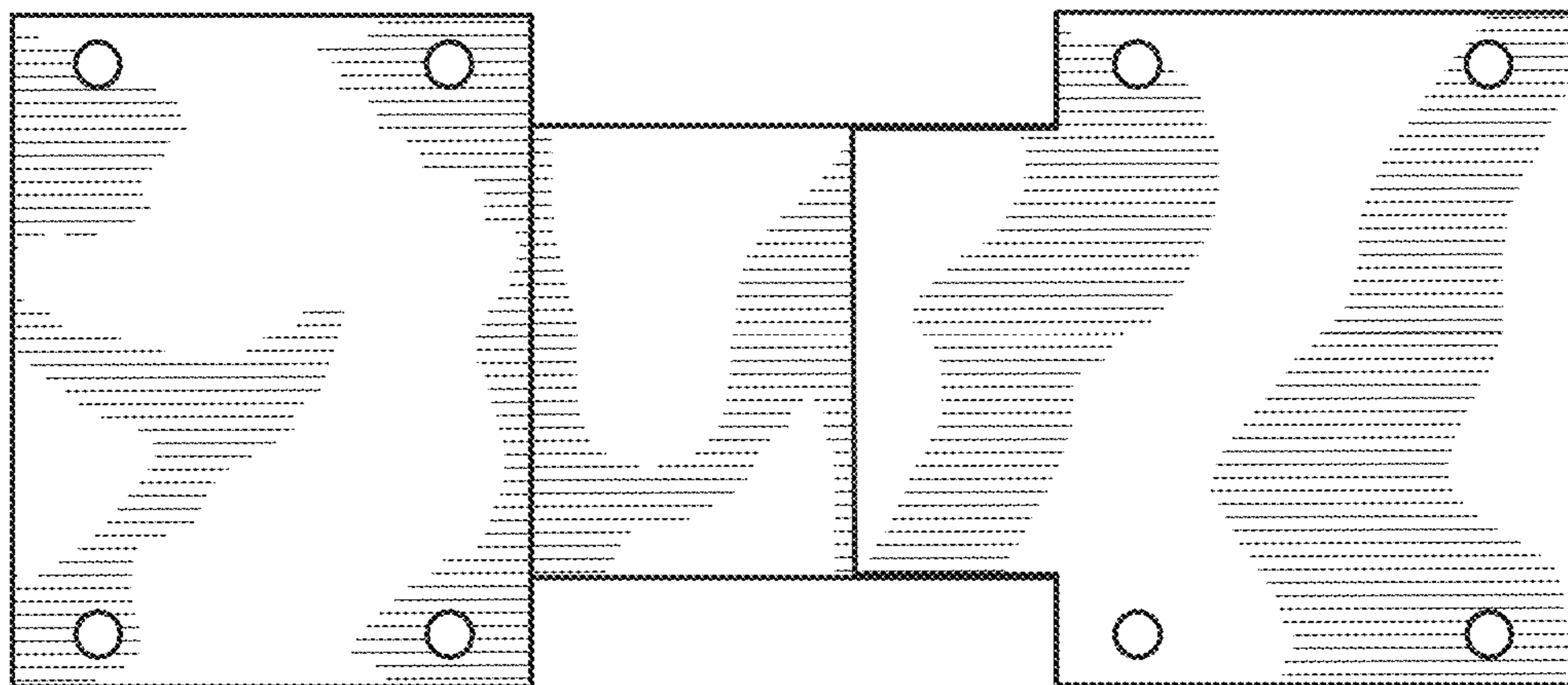


*Fig. 6*





*Fig. 7*



*Fig. 8*