



US00D772692S

(12) **United States Design Patent**
Meyerhoffer

(10) **Patent No.:** **US D772,692 S**

(45) **Date of Patent:** **** Nov. 29, 2016**

(54) **DOOR LOCKING MECHANISM**

(71) Applicant: **Thomas E. Meyerhoffer**, Montara, CA
(US)

(72) Inventor: **Thomas E. Meyerhoffer**, Montara, CA
(US)

(73) Assignee: **Latchable, Inc.**, New York, NY (US)

(**) Term: **14 Years**

(21) Appl. No.: **29/524,120**

(22) Filed: **Apr. 16, 2015**

(51) **LOC (10) Cl.** **08-07**

(52) **U.S. Cl.**
USPC **D8/331**

(58) **Field of Classification Search**
USPC D8/330, 331, 334, 300, 301, 350;
70/14, 20-22, 57, 57.1, 284-286, 314,
70/DIG. 44, 266, 277, 271
CPC E05B 9/00; E05B 9/02; E05B 2009/006;
E05B 49/00
See application file for complete search history.

(56) **References Cited**

U.S. PATENT DOCUMENTS

D365,976 S * 1/1996 Chiu D8/301
5,564,294 A * 10/1996 Chen E05B 39/00
340/328

D380,133 S * 6/1997 Rochette D8/301
D417,831 S * 12/1999 Libby D8/302
D429,139 S * 8/2000 Ahn D8/301
D437,771 S * 2/2001 Barnes D8/352
D494,841 S * 8/2004 Moon D8/352
D508,393 S * 8/2005 Gao D8/352
D513,469 S * 1/2006 Gao D8/350
7,091,429 B2 * 8/2006 Case E05B 15/02
200/314
7,984,631 B2 * 7/2011 Case E05B 15/02
70/278.1
D696,569 S * 12/2013 Luo D8/331
D738,186 S * 9/2015 Nadgouda D8/331

* cited by examiner

Primary Examiner — Prabhakar Deshmukh

(74) *Attorney, Agent, or Firm* — Paradice and Li LLP

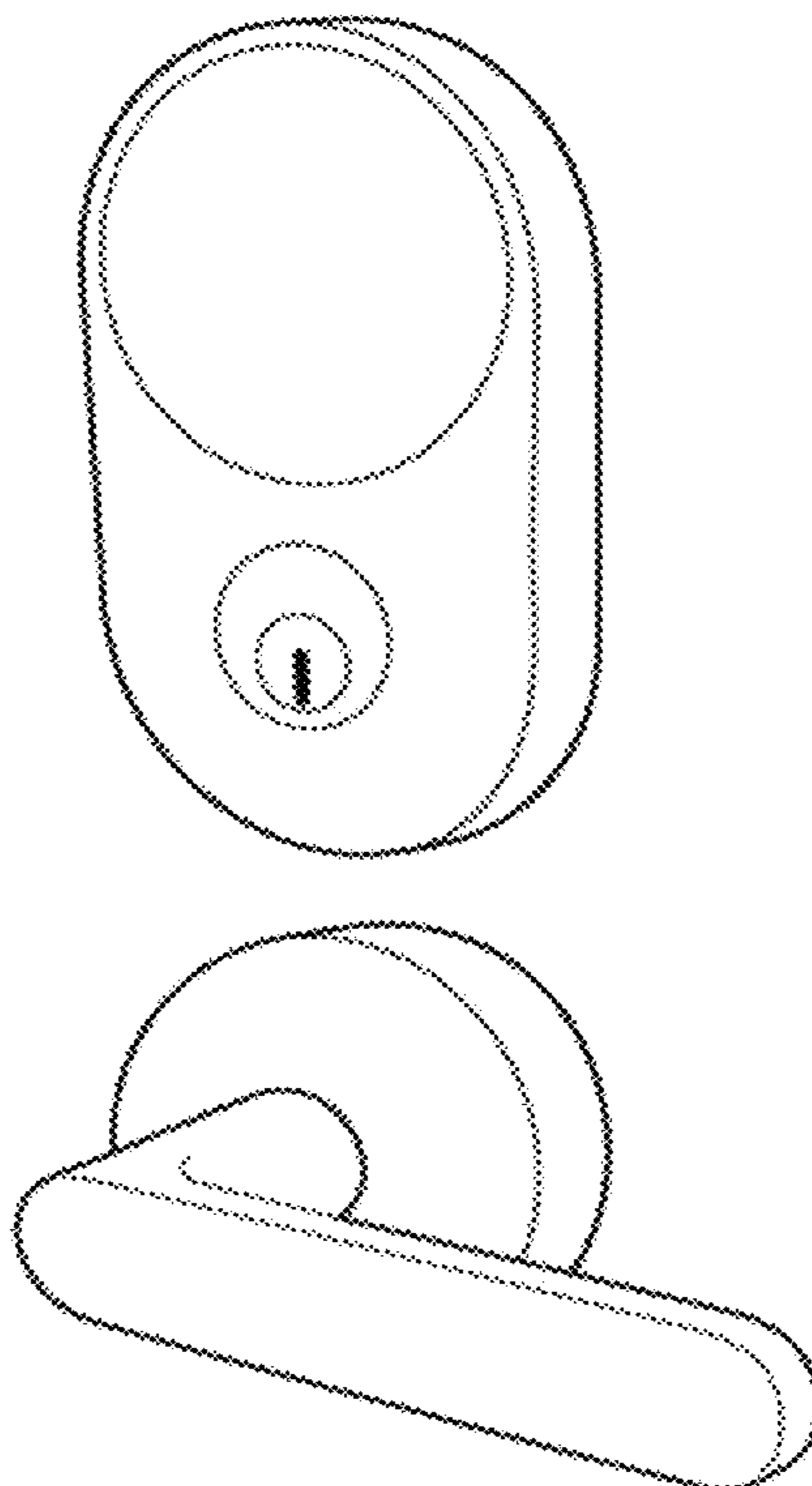
(57) **CLAIM**

The ornamental design for a door locking mechanism, as shown and described.

DESCRIPTION

FIG. 1 is a front perspective view of a door locking mechanism showing my new design;
FIG. 2 is a front elevational view thereof;
FIG. 3 is a left side elevational view thereof;
FIG. 4 is a right side elevational view thereof;
FIG. 5 is a top plan view thereof; and,
FIG. 6 is a bottom plan view thereof.

1 Claim, 4 Drawing Sheets



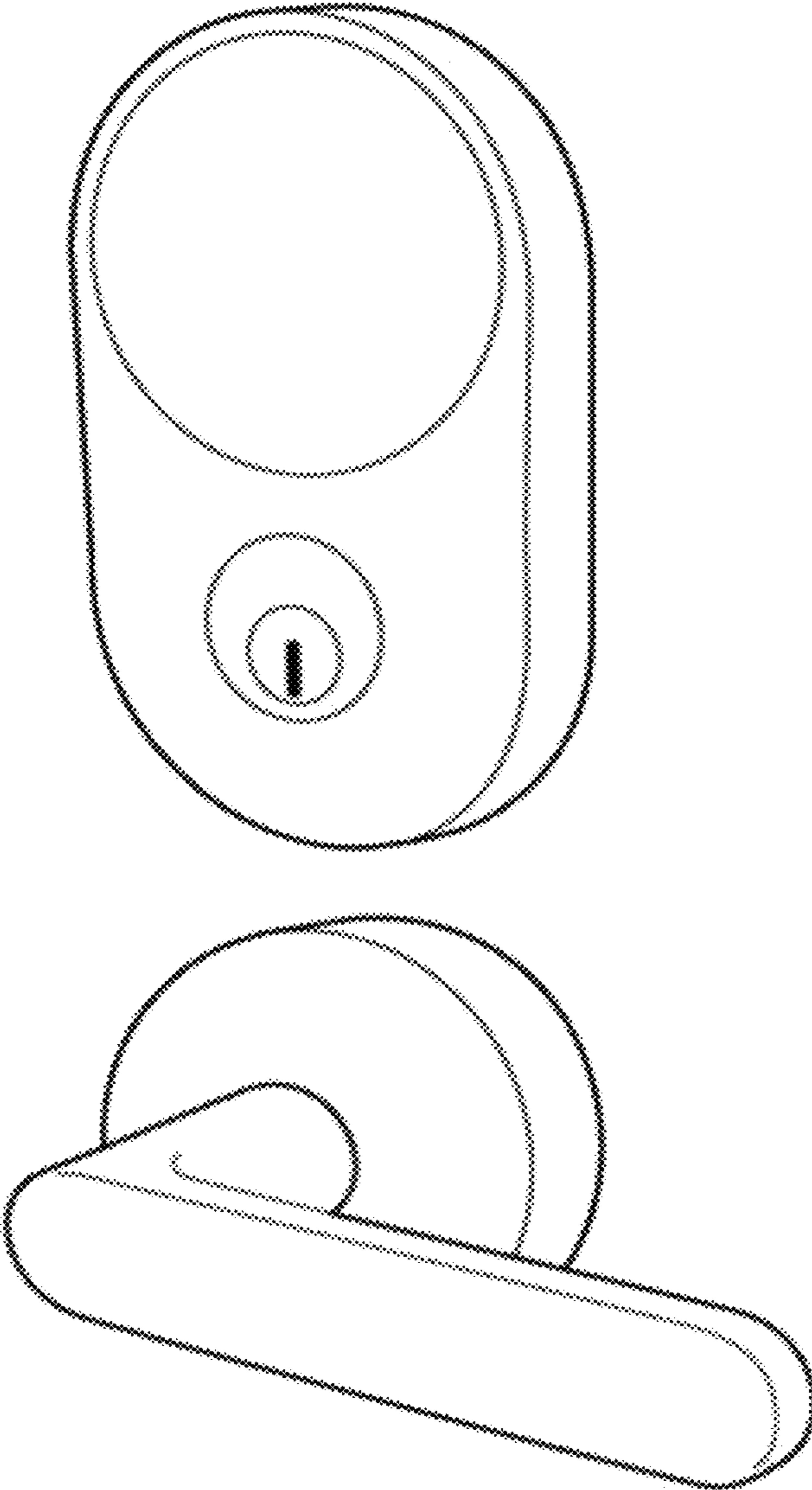


FIG. 1

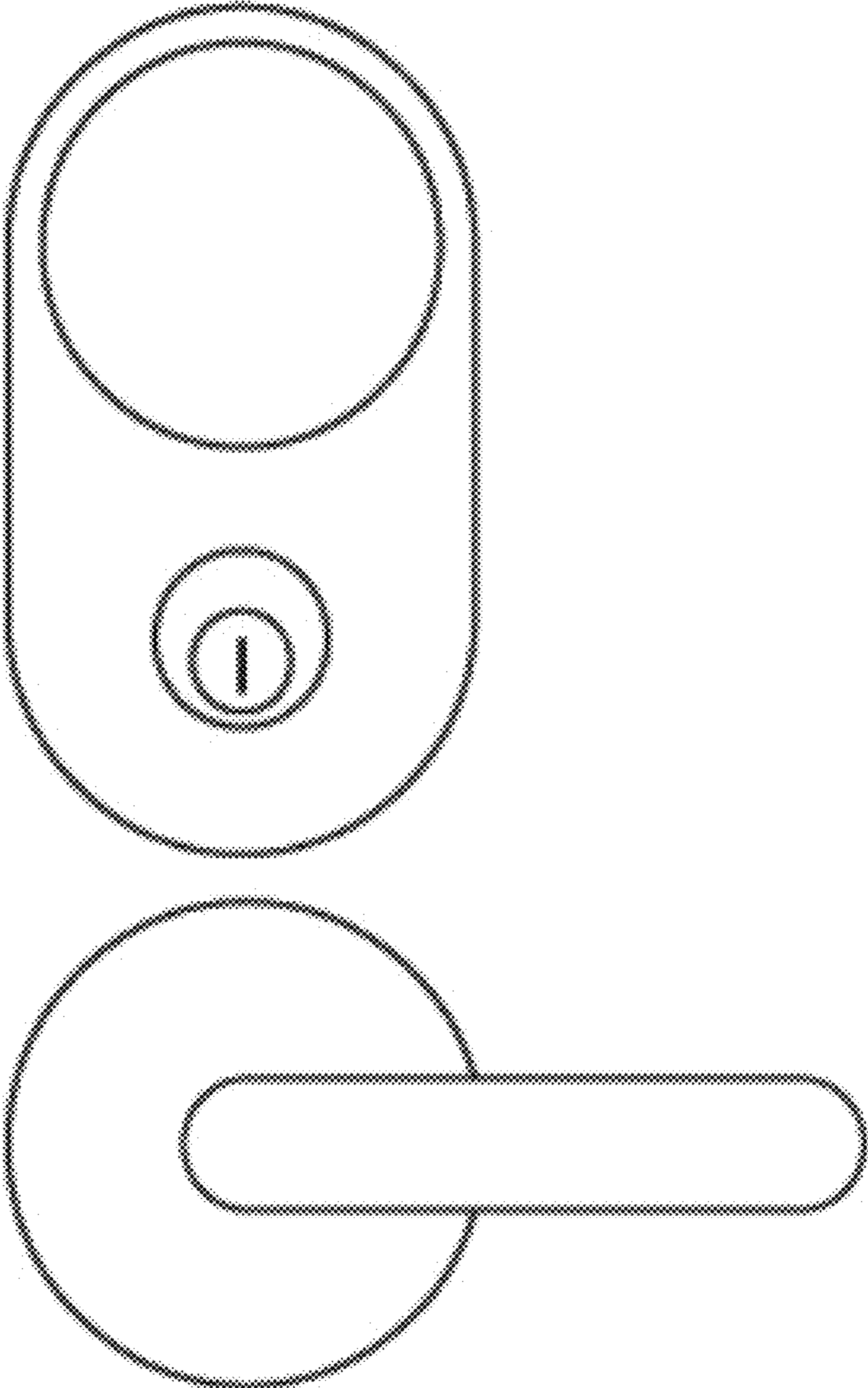


FIG. 2

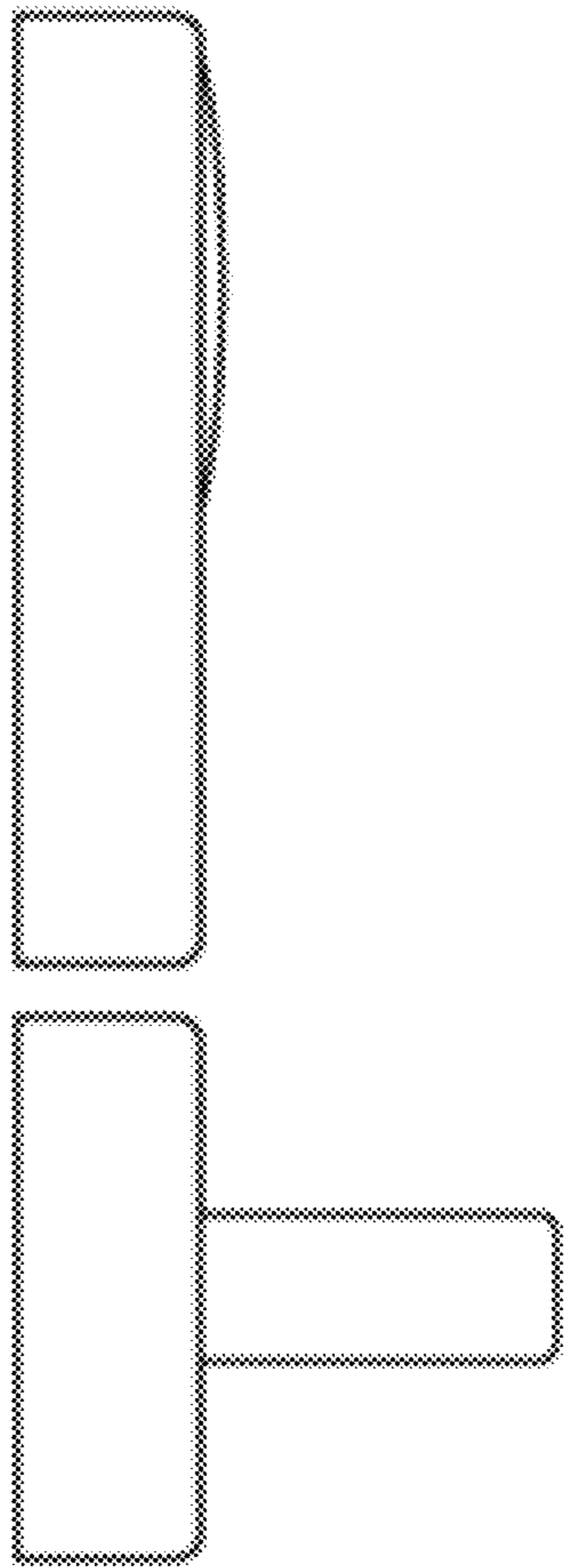


FIG. 3

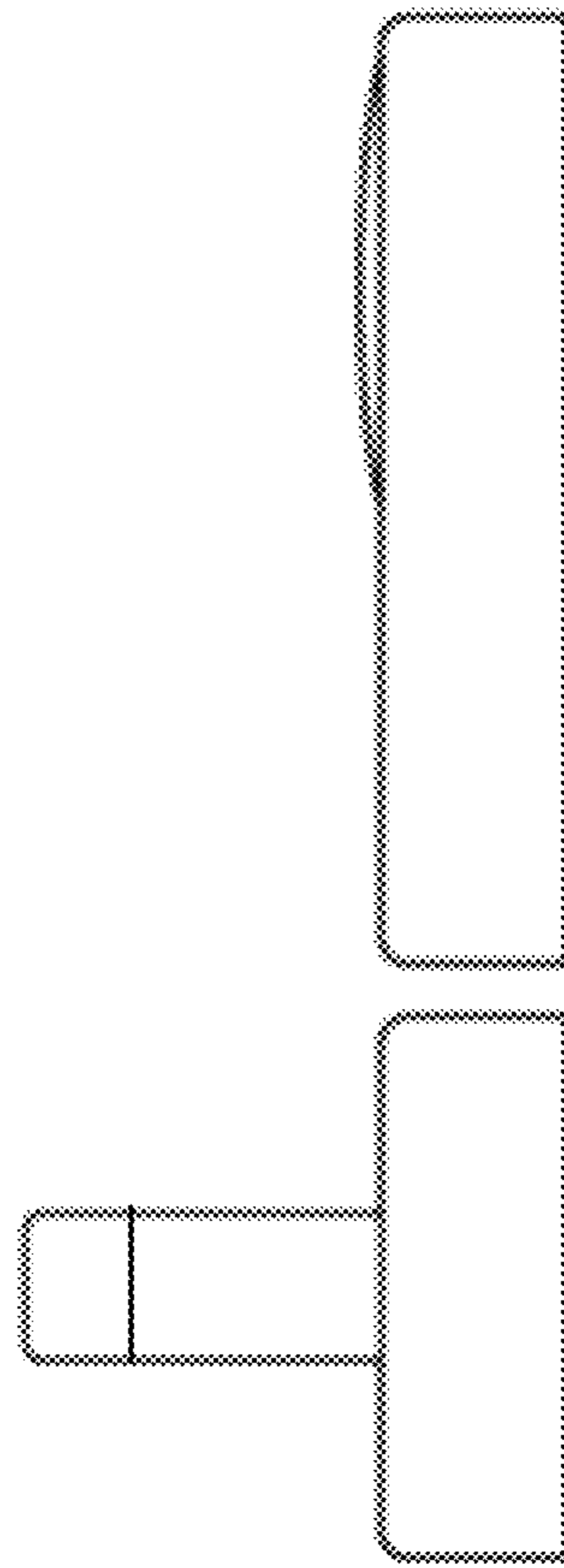


FIG. 4

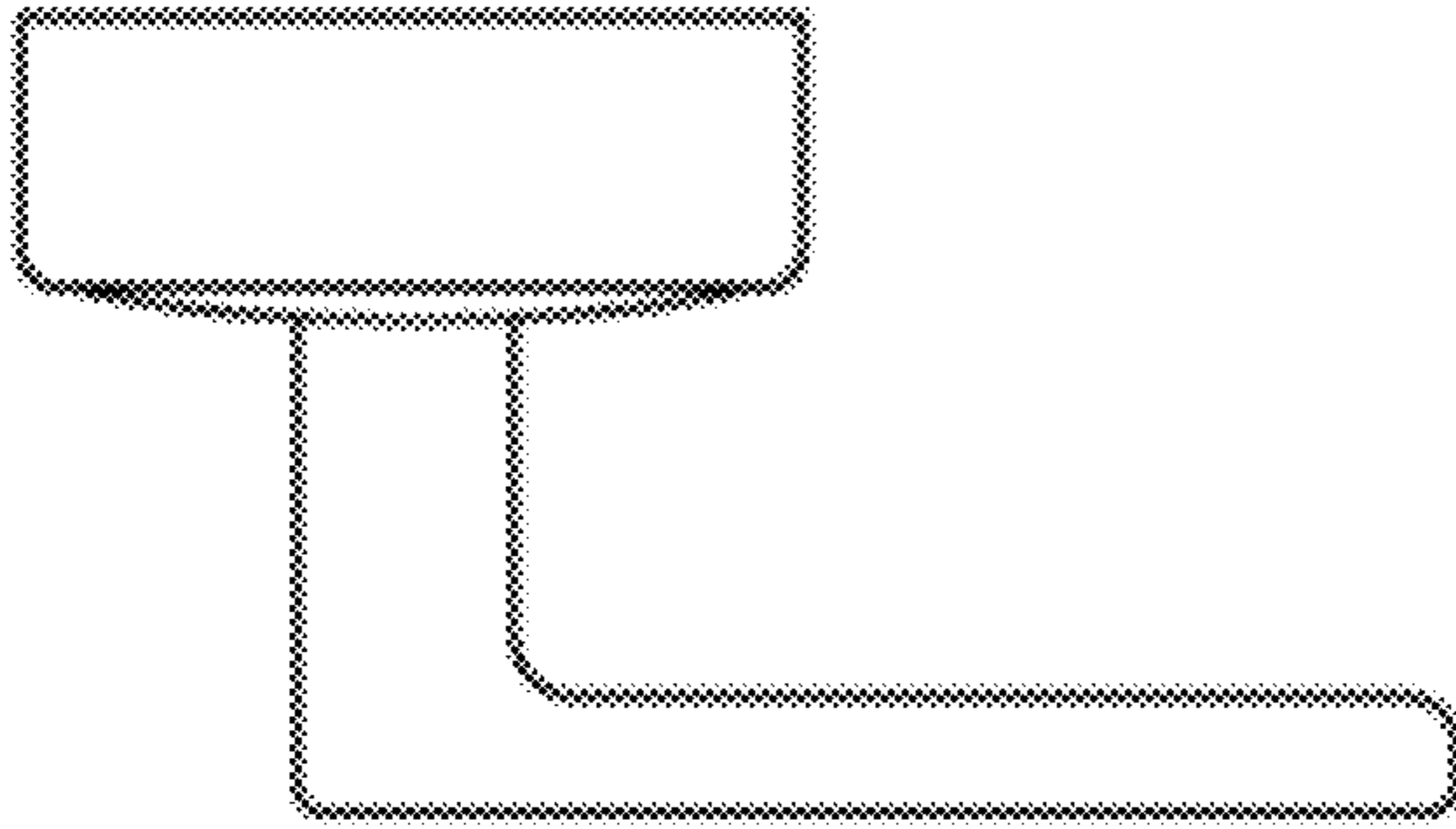


FIG. 5

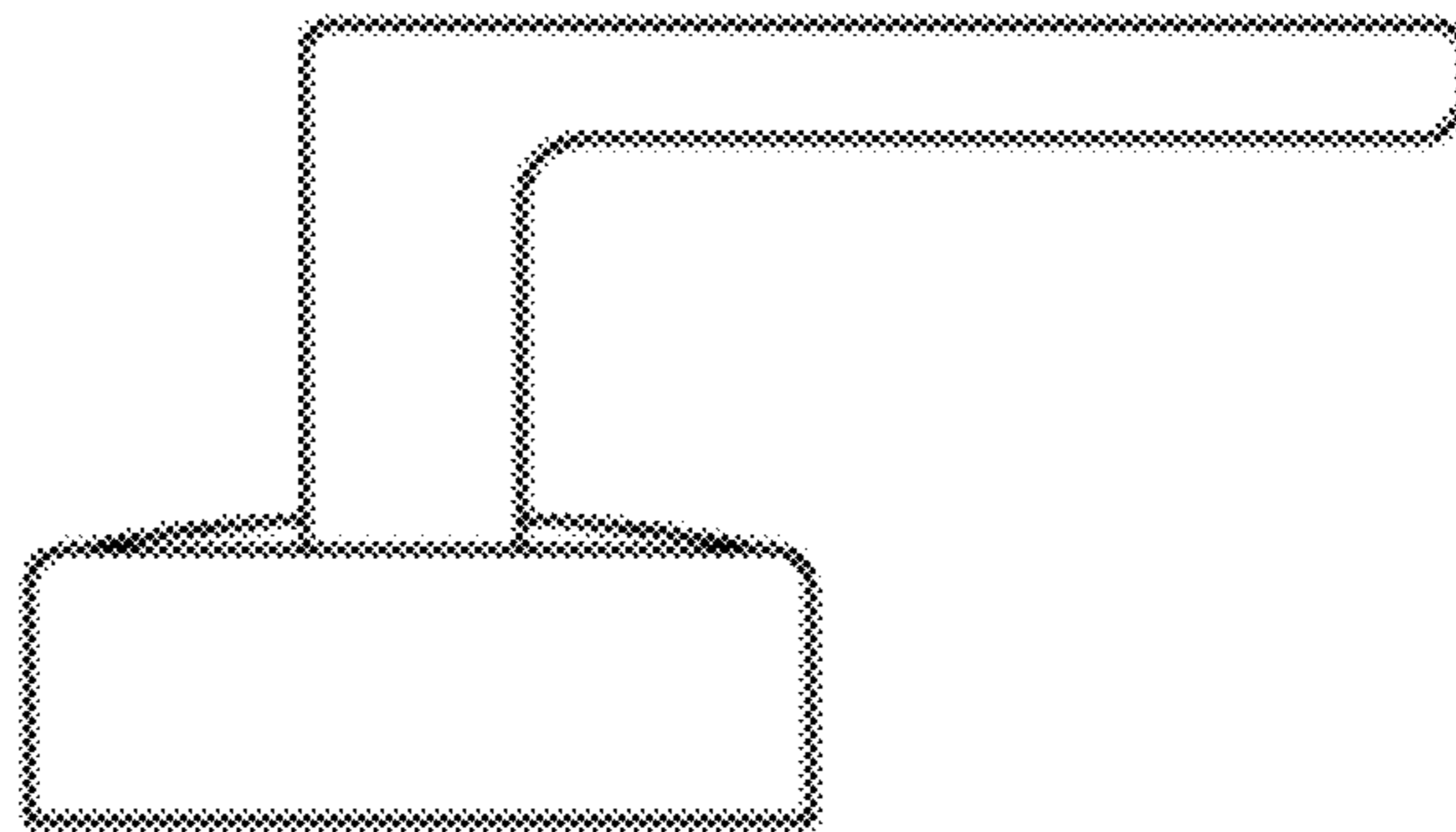


FIG. 6