

US00D772691S

(12) **United States Design Patent** (10) **Patent No.:** **US D772,691 S**
Han (45) **Date of Patent:** **** Nov. 29, 2016**

(54) **DECORATIVE LAYERED ROSE**
(71) Applicant: **Schlage Lock Company LLC**, Carmel, IN (US)
(72) Inventor: **Minjoo Annie Han**, Chantilly, VA (US)
(73) Assignee: **Schlage Lock Company LLC**, Indianapolis, IN (US)
(**) Term: **15 Years**
(21) Appl. No.: **29/543,154**
(22) Filed: **Oct. 21, 2015**
(51) **LOC (10) Cl.** **08-07**
(52) **U.S. Cl.**
USPC **D8/330; D8/350**
(58) **Field of Classification Search**
USPC D8/330, 331, 336, 338, 339, 340, 343, D8/350-353, 300, 301; 70/14, 20, 51, 57, 70/57.1, 91, 107, 141, 472, 277, 279.1, 70/284-286, 314, DIG. 44; 292/2, 32, 137, 292/288, 289, 290, 292
CPC G05B 19/00; G05B 15/00; E05B 49/00; E05B 49/02; E05B 9/00; E05B 17/00; E05B 37/00; E05B 3/00; E05B 13/103; E05B 1/00; E05B 47/00; Y10T 70/8324; Y10T 70/8459; Y10T 70/8514; Y10T 70/8568
See application file for complete search history.

(56) **References Cited**
U.S. PATENT DOCUMENTS
D271,374 S * 11/1983 Butts D8/353
D297,404 S * 8/1988 Yandek D13/164
D297,407 S * 8/1988 Yandek D13/171
D297,408 S * 8/1988 Yandek D13/125
D297,409 S * 8/1988 Yandek D13/125
D297,507 S * 9/1988 Yandek D13/171
D508,393 S * 8/2005 Gao D8/352
D552,966 S * 10/2007 Roberts D8/330

D552,967 S * 10/2007 Roberts D8/330
D552,968 S * 10/2007 Roberts D8/330
D626,633 S * 11/2010 Montgomery D23/254
D635,441 S * 4/2011 Roberts, III D8/330
D635,444 S * 4/2011 Roberts, III D8/330
D637,474 S * 5/2011 Schneider D8/330
7,984,631 B2 * 7/2011 Case E05B 15/02
70/278.1
D645,726 S * 9/2011 Lu D8/330
D645,727 S * 9/2011 Bergmann D8/350
D675,081 S * 1/2013 Clark D8/353
D675,082 S * 1/2013 Clark D8/353
D675,083 S * 1/2013 Clark D8/353
D682,656 S * 5/2013 Cramer D8/331
D682,657 S * 5/2013 Roberts, III D8/331
D682,658 S * 5/2013 Cramer D8/331
D683,205 S * 5/2013 Cramer D8/331
D693,203 S * 11/2013 Mostert D8/330
D693,204 S * 11/2013 Mostert D8/330

(Continued)

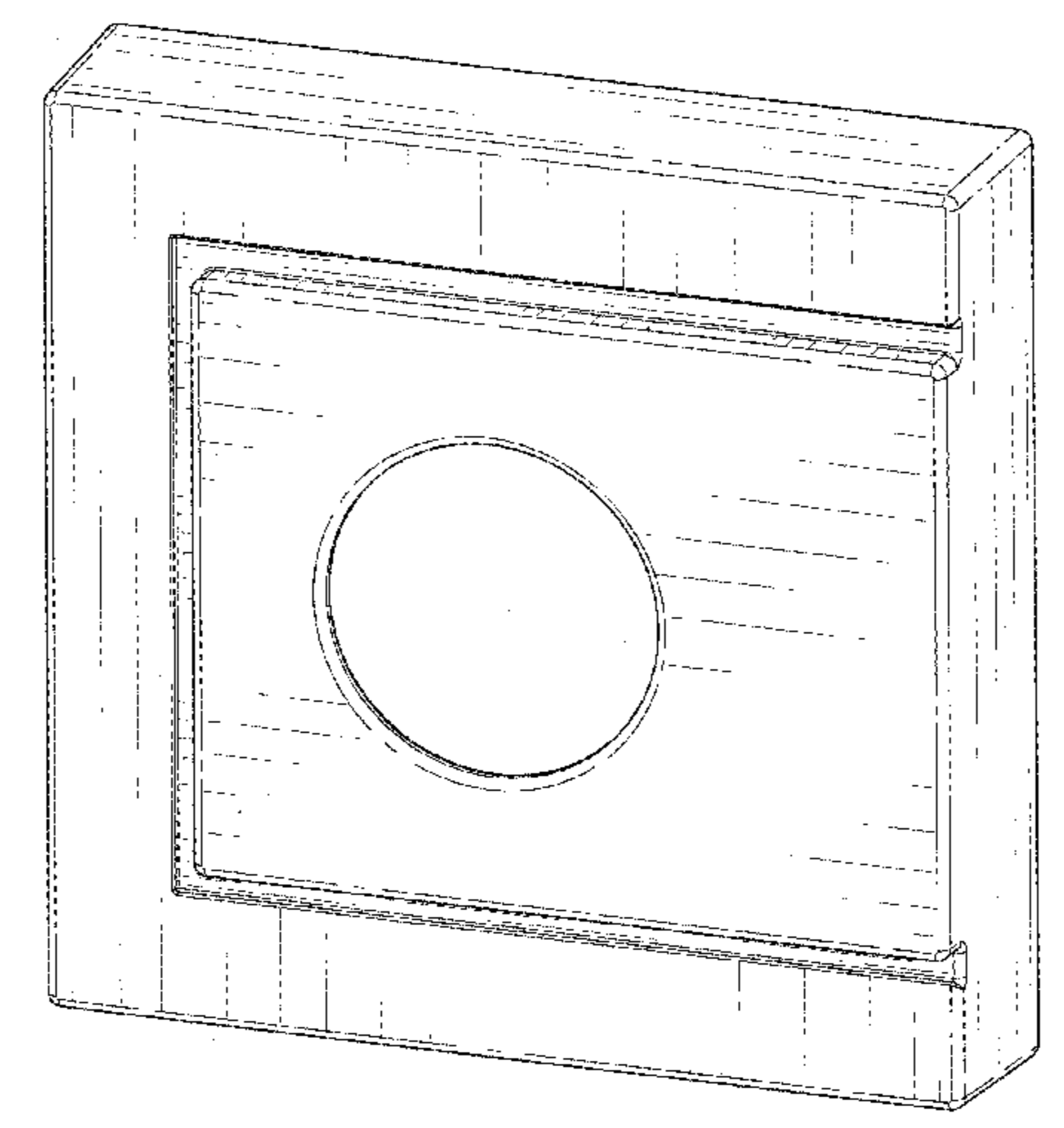
Primary Examiner — Mark Goodwin
(74) *Attorney, Agent, or Firm* — Taft Stettinius & Hollister LLP

(57) **CLAIM**
The ornamental design for a decorative layered rose, as shown and described.

DESCRIPTION

FIG. 1 is an upper-right front perspective view of a decorative layered rose of the present invention.
FIG. 2 is a front view of the decorative layered rose of FIG. 1.
FIG. 3 is a right side view of the decorative layered rose of FIG. 1.
FIG. 4 is a left side view of the decorative layered rose of FIG. 1.
FIG. 5 is a top view of the decorative layered rose of FIG. 1; and,
FIG. 6 is a bottom view of the decorative layered rose of FIG. 1.

1 Claim, 2 Drawing Sheets



(56)

References Cited

U.S. PATENT DOCUMENTS

D693,205 S *	11/2013	Mostert	D8/330	D736,591 S *	8/2015	Groleski	D8/330
D693,206 S *	11/2013	Mostert	D8/330	D737,657 S *	9/2015	Nadgouda	D8/331
D693,667 S *	11/2013	Mostert	D8/330	D737,661 S *	9/2015	Chan	D8/330
D699,096 S *	2/2014	Chan	D8/331	D738,186 S *	9/2015	Nadgouda	D8/331
D722,260 S *	2/2015	Warmenhoven	D8/330	D738,192 S *	9/2015	Hetfield	D8/350
D736,590 S *	8/2015	Roberts, III	D8/330	D756,196 S *	5/2016	Huang	D8/330
				D756,748 S *	5/2016	Lu	D8/331
				D756,749 S *	5/2016	Lu	D8/331

* cited by examiner

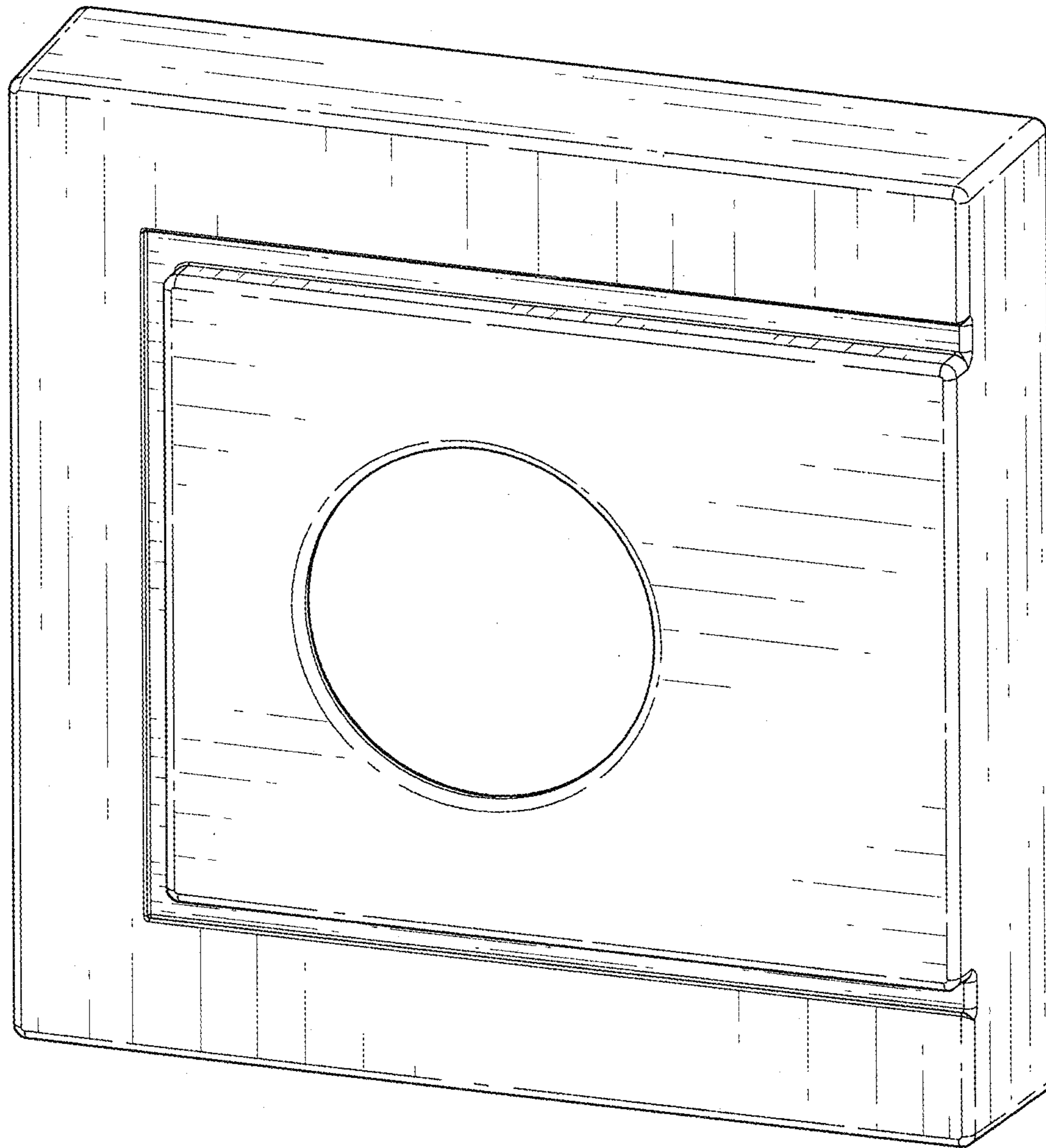


Fig. 1

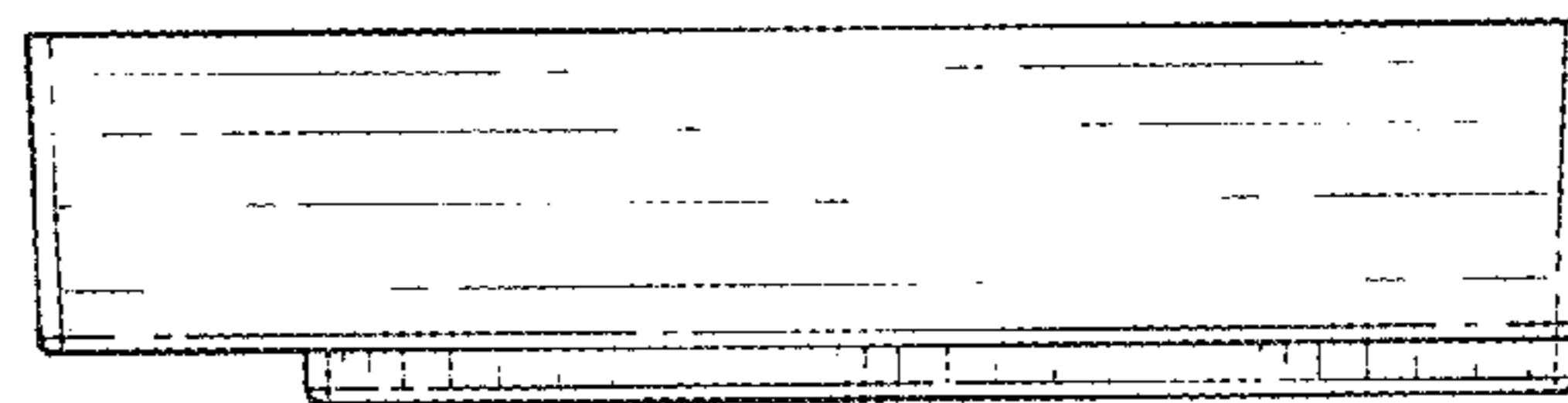


Fig. 5

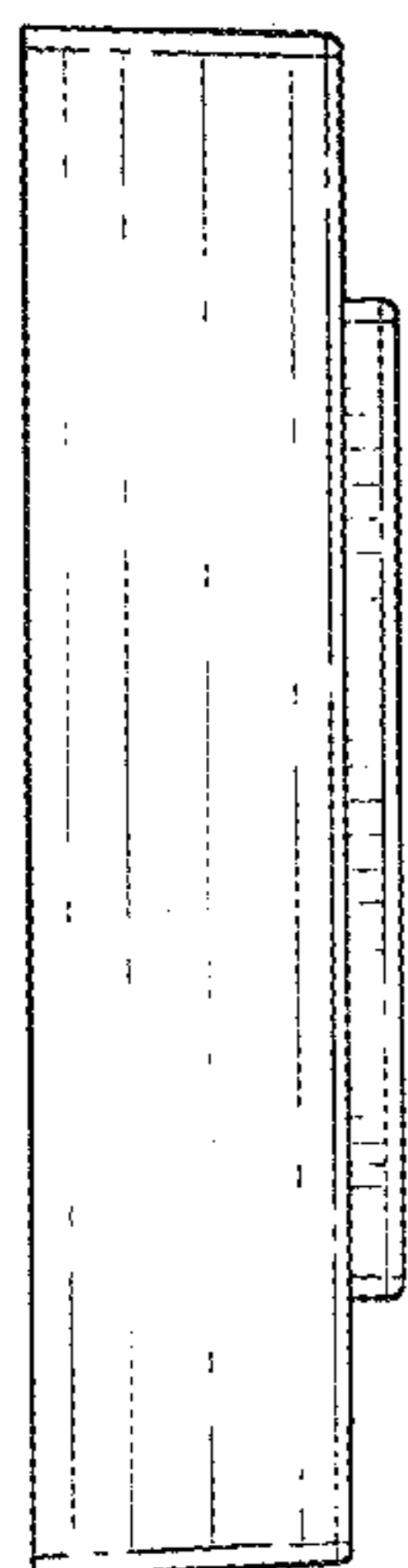


Fig. 4

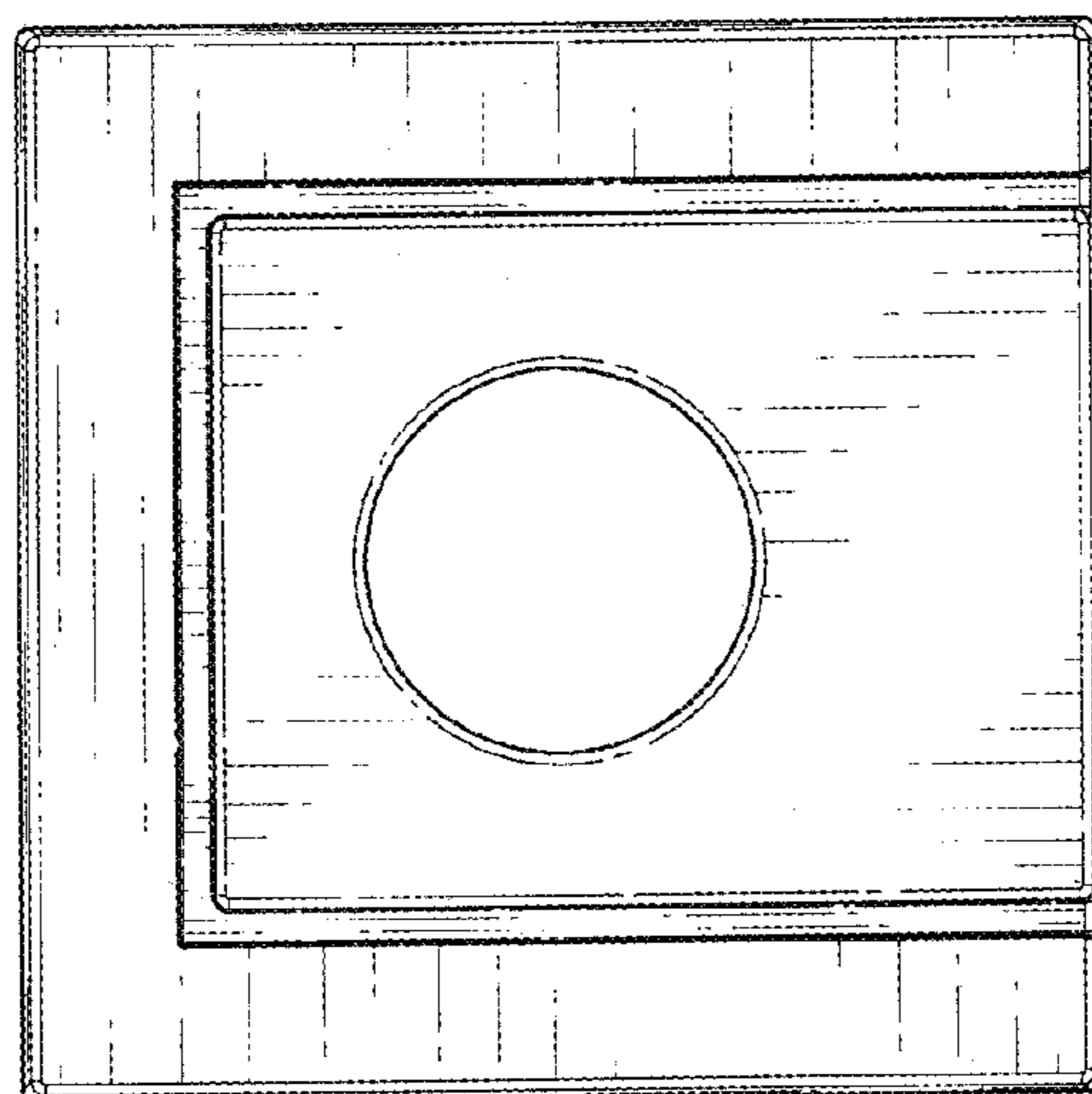


Fig. 2

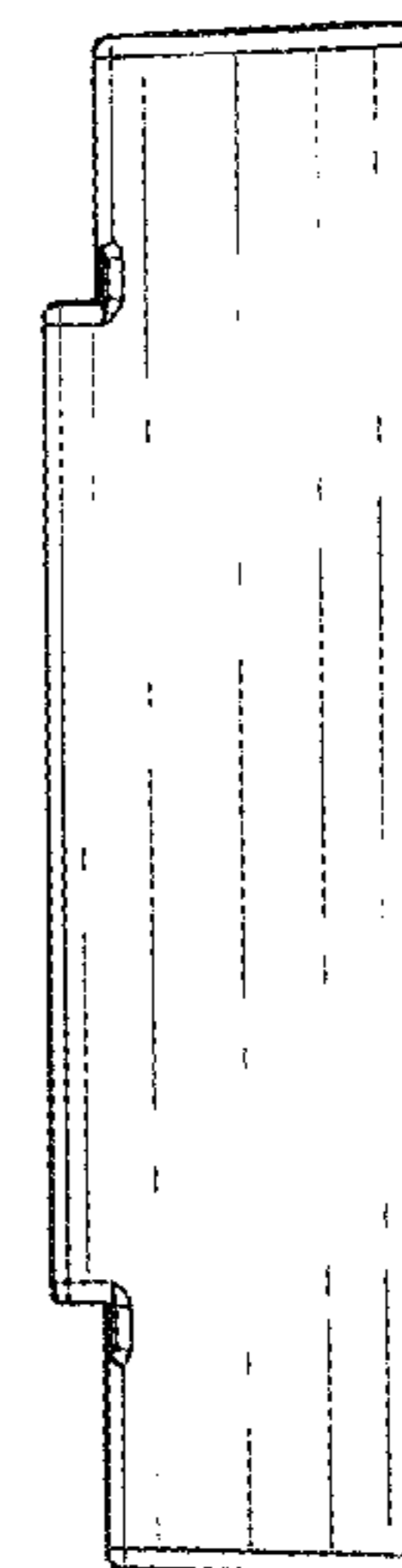


Fig. 3

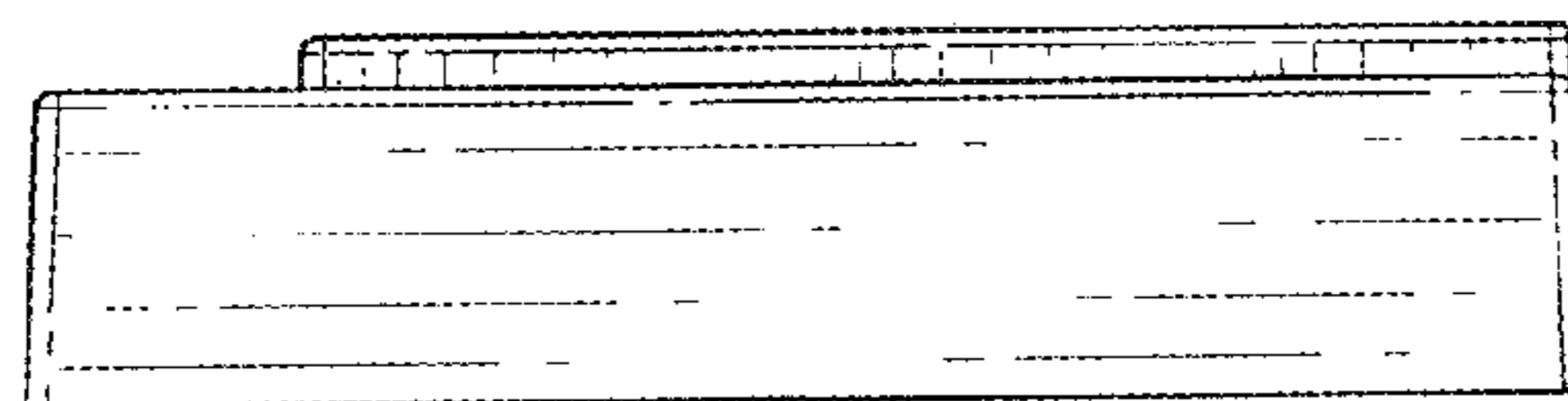


Fig. 6