



US00D772688S

(12) **United States Design Patent** (10) **Patent No.:** **US D772,688 S**  
**Zimmer** (45) **Date of Patent:** **\*\* Nov. 29, 2016**

(54) **CABINET KNOB**

(56) **References Cited**

(71) Applicant: **Top Knobs USA, Inc.**, Hillsborough, NJ (US)

U.S. PATENT DOCUMENTS

(72) Inventor: **Christine Zimmer**, Hillsborough, NJ (US)

434,650 A *	8/1890	Adams .....	16/417
D51,333 S *	10/1917	Heizmann .....	D8/310
D361,492 S *	8/1995	Chieda .....	D8/310
D368,638 S *	4/1996	Sonnenleiter .....	D8/310
D368,640 S *	4/1996	Sonnenleiter .....	D8/310
D396,179 S *	7/1998	Burns .....	D8/310
D401,834 S *	12/1998	Burns .....	D8/310
D454,049 S *	3/2002	LaPlume .....	D8/301
D592,484 S *	5/2009	Ricereto .....	D8/307
D602,329 S *	10/2009	Hanes .....	D8/305
D639,133 S *	6/2011	Owens .....	D8/310
D660,679 S *	5/2012	Han .....	D8/310
D717,370 S *	11/2014	Hammer .....	D19/34.1
D723,352 S *	3/2015	Ramsland .....	D8/310
D736,589 S *	8/2015	Watson .....	D8/310

(73) Assignee: **TOP KNOBS USA, INC.**, Hillsborough, NJ (US)

(\*\*) Term: **15 Years**

(21) Appl. No.: **29/546,918**

(22) Filed: **Nov. 27, 2015**

(51) **LOC (10) Cl.** ..... **08-06**

(52) **U.S. Cl.**  
USPC ..... **D8/310**

(58) **Field of Classification Search**  
USPC ..... D8/300, 305, 307, 393, DIG. 1, DIG. 2;  
D7/393; D23/250, 254; 16/110.1, 413,  
16/414, 415, 417, 422, 441, DIG. 30;  
292/336.3, 347

CPC . Y10T 292/57; Y10T 292/82; Y10T 16/469;  
Y10T 16/44; Y10T 16/506; Y10T 292/85;  
Y10T 16/458; Y10T 74/2084; Y10T 16/46;  
Y10T 16/459; Y10T 74/20732; Y10T 292/03;  
Y10T 16/4713; Y10T 16/466; Y10T 292/88;  
Y10T 29/49599; Y10T 16/487; Y10T 16/462;  
Y10T 16/4636; Y10T 74/20864; Y10T  
70/5155; Y10T 16/4559; Y10T 292/0951;  
Y10T 292/0891; Y10T 292/0934; Y10T  
292/0968; E05B 1/0007; E05B 1/0015;  
E05B 79/06; E05B 85/10; E05B 1/0053;  
E05B 55/005; E05B 1/00; E05B 85/107;  
E05B 3/00

See application file for complete search history.

\* cited by examiner

*Primary Examiner* — Derrick Holland

*Assistant Examiner* — Lauren Calve

(74) *Attorney, Agent, or Firm* — Schultz & Associates, P.C.

(57) **CLAIM**

The ornamental design for a cabinet knob, as shown and described.

**DESCRIPTION**

FIG. 1 is a perspective view of a cabinet knob showing my new design;

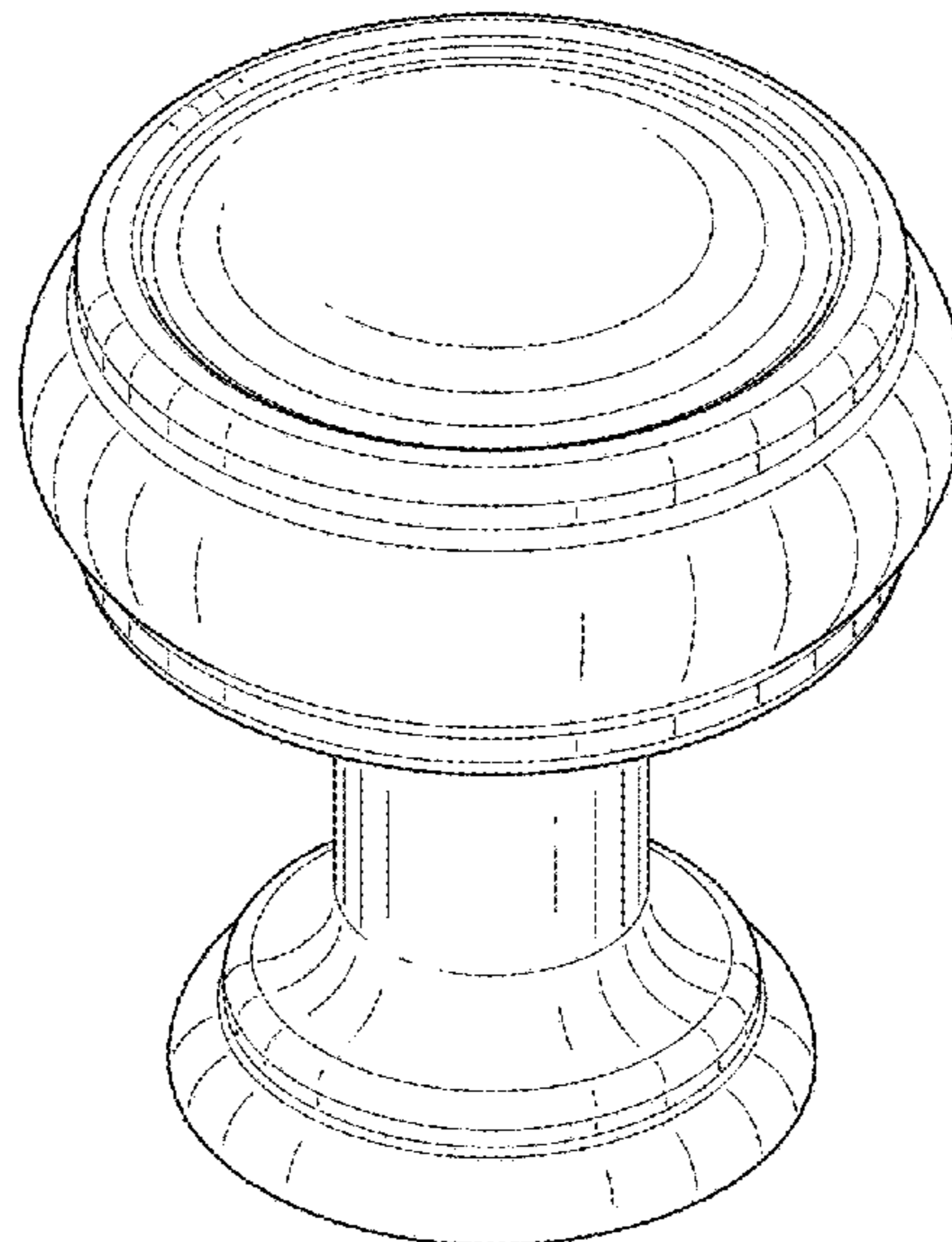
FIG. 2 is a side elevation view thereof;

FIG. 3 is a top plan view thereof; and,

FIG. 4 is a bottom plan view thereof.

The broken lines shown represent unclaimed subject matter and form no part of the claimed design.

**1 Claim, 2 Drawing Sheets**



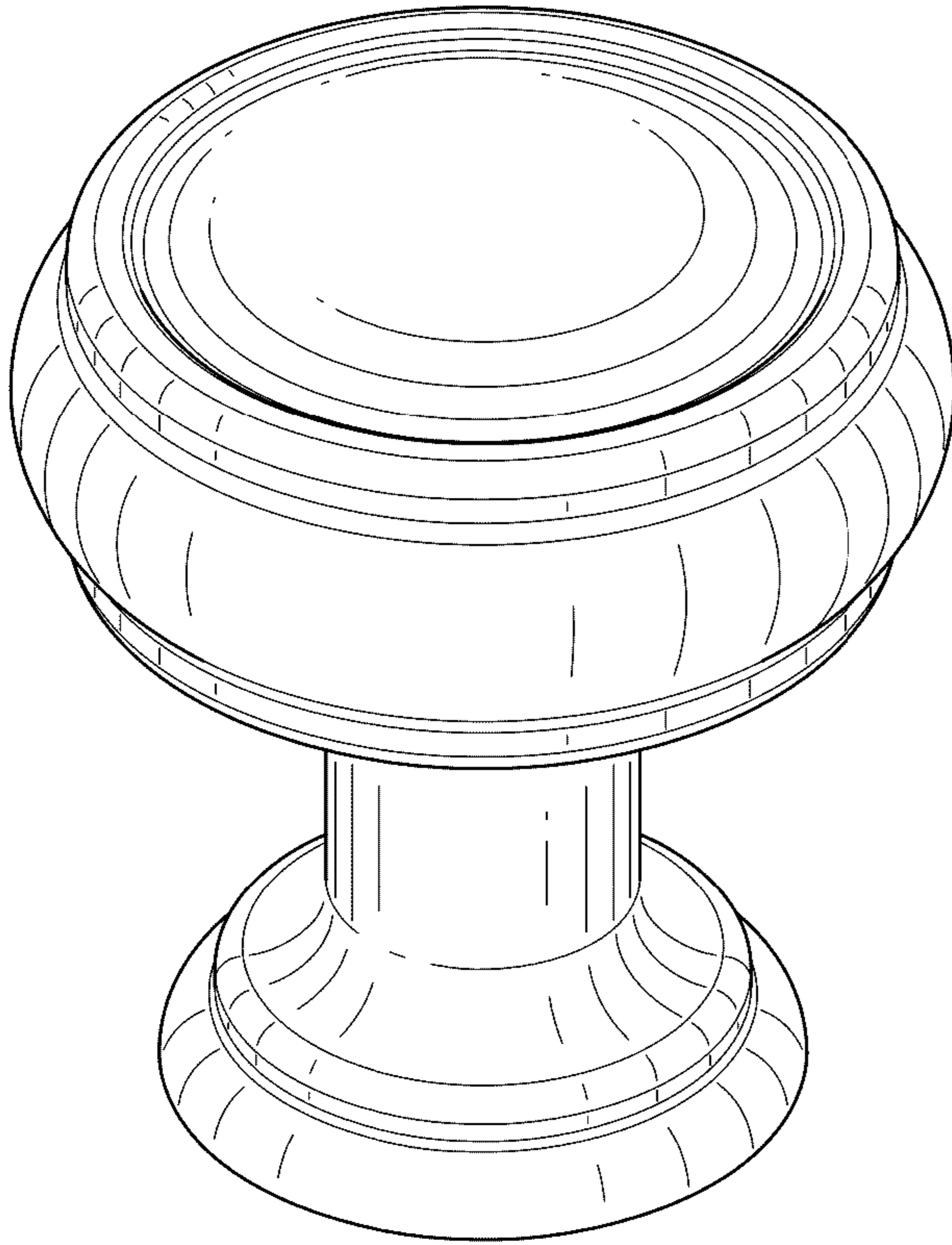


FIG. 1

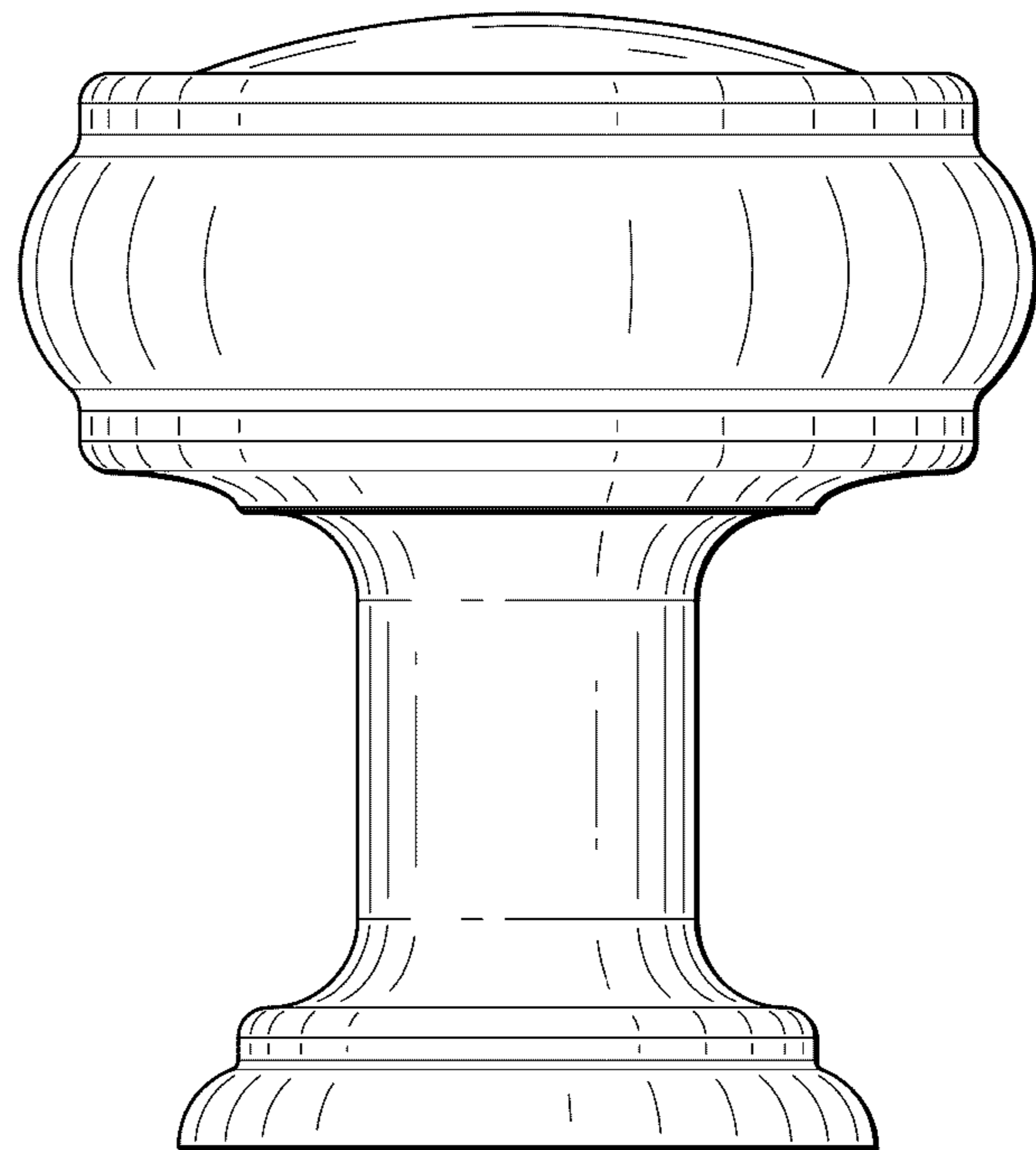


FIG. 2

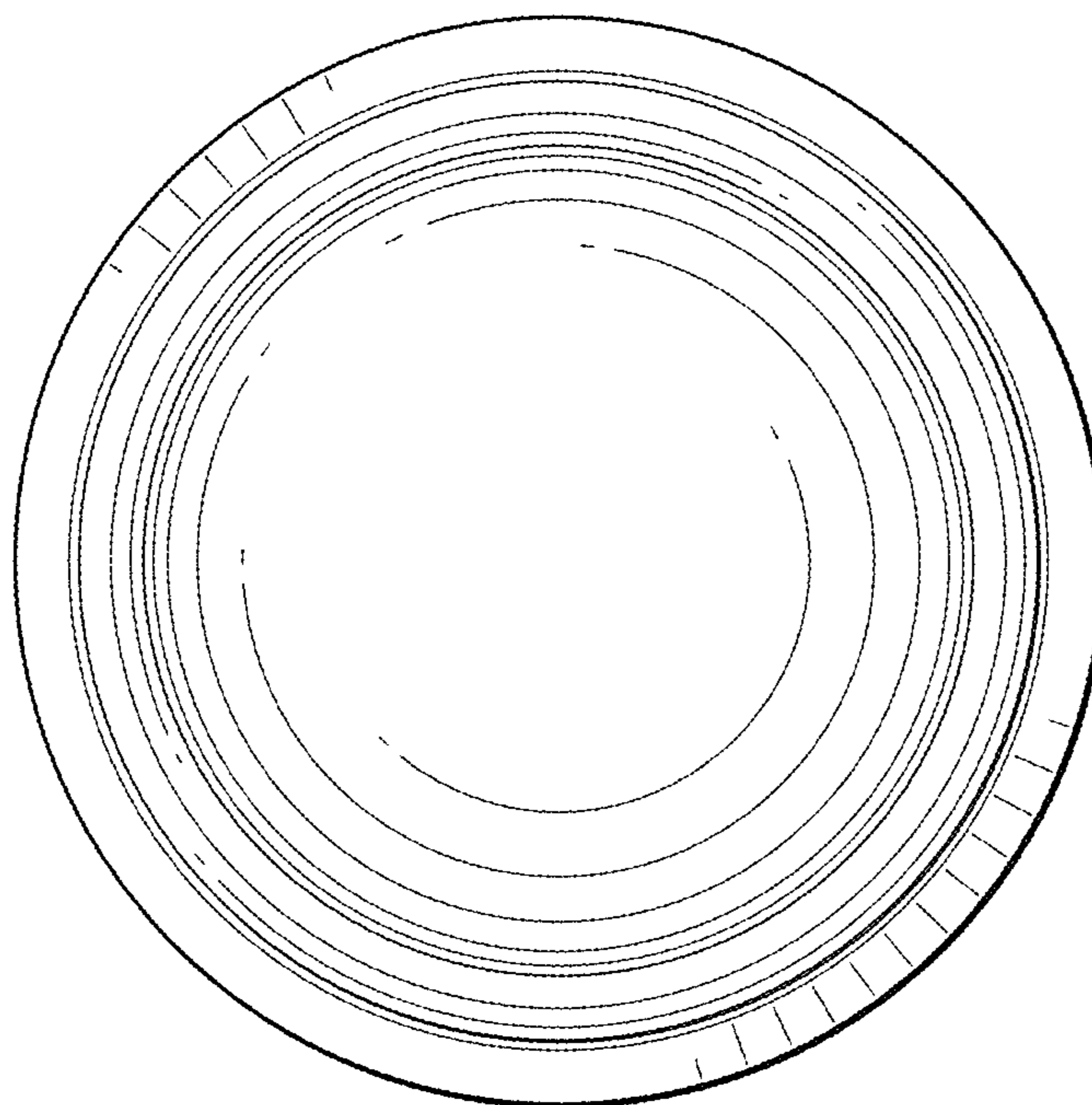


FIG. 3

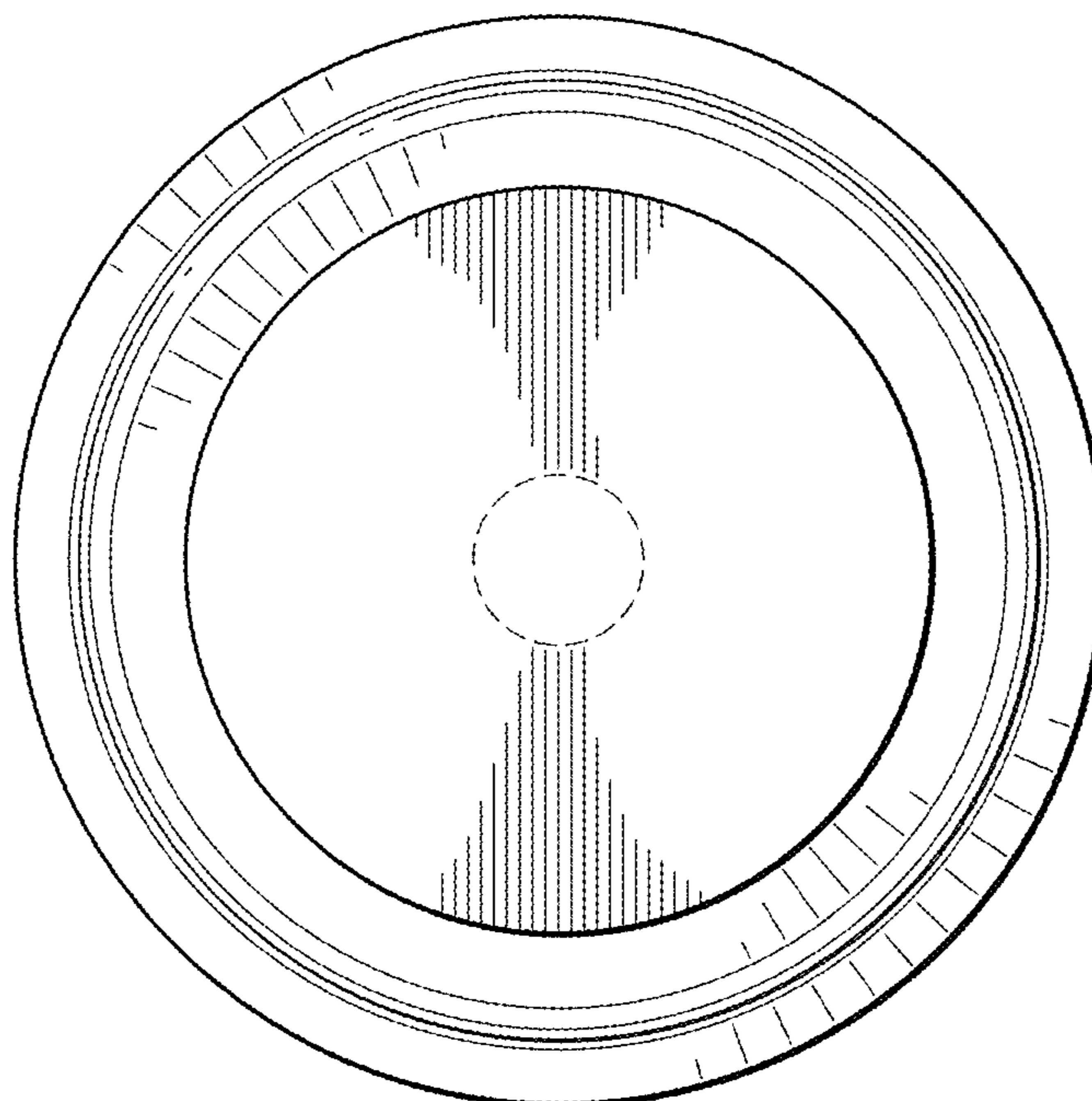


FIG. 4