



US00D772686S

(12) **United States Design Patent** (10) **Patent No.:** **US D772,686 S**  
**Zimmer et al.** (45) **Date of Patent:** **\*\* Nov. 29, 2016**

(54) **CABINET KNOB**

(56) **References Cited**

(71) Applicants: **Top Knobs USA, Inc.**, Hillsborough, NJ (US); **Crofts and Assinder Ltd.**, Birmingham (GB)

U.S. PATENT DOCUMENTS

434,650	A	*	8/1890	Adams	.....	16/417
461,175	A	*	10/1891	Turner	.....	G05G 1/12 16/441
D248,445	S	*	7/1978	Palm, Jr.	.....	D8/310
D326,219	S	*	5/1992	Clayton	.....	D8/310
D368,640	S	*	4/1996	Sonnenleiter	.....	D8/310
D373,066	S	*	8/1996	De'Armond	.....	D8/310
D415,405	S	*	10/1999	O'Neil	.....	D8/305
D418,387	S	*	1/2000	O'Neil	.....	D8/310
D584,127	S	*	1/2009	Matijevic	.....	D8/305
D643,276	S	*	8/2011	Roe	.....	D8/307
D649,427	S	*	11/2011	Roe	.....	D8/310
D660,679	S	*	5/2012	Han	.....	D8/310
D679,982	S	*	4/2013	Ramsland	.....	D8/307

(72) Inventors: **Christine Zimmer**, Hillsborough, NJ (US); **Zoran Matijevic**, Birmingham (GB)

(73) Assignees: **TOP KNOBS USA, INC.**, Hillsborough, NJ (US); **CROFTS AND ASSINDER LTD.**, Birmingham (GB)

(\*\*) Term: **15 Years**

\* cited by examiner

(21) Appl. No.: **29/546,888**

*Primary Examiner* — Derrick Holland

(22) Filed: **Nov. 27, 2015**

*Assistant Examiner* — Lauren Calve

(51) **LOC (10) Cl.** ..... **08-06**

(74) *Attorney, Agent, or Firm* — Schultz & Associates, P.C.

(52) **U.S. Cl.**

USPC ..... **D8/310**

(58) **Field of Classification Search**

USPC ..... D8/300, 305, 307, 393, DIG. 1, DIG. 2; D7/393; D23/250, 254; 16/110.1, 413, 16/414, 415, 417, 422, 441, DIG. 30; 292/336.3, 347

(57) **CLAIM**

The ornamental design for a cabinet knob, as shown and described.

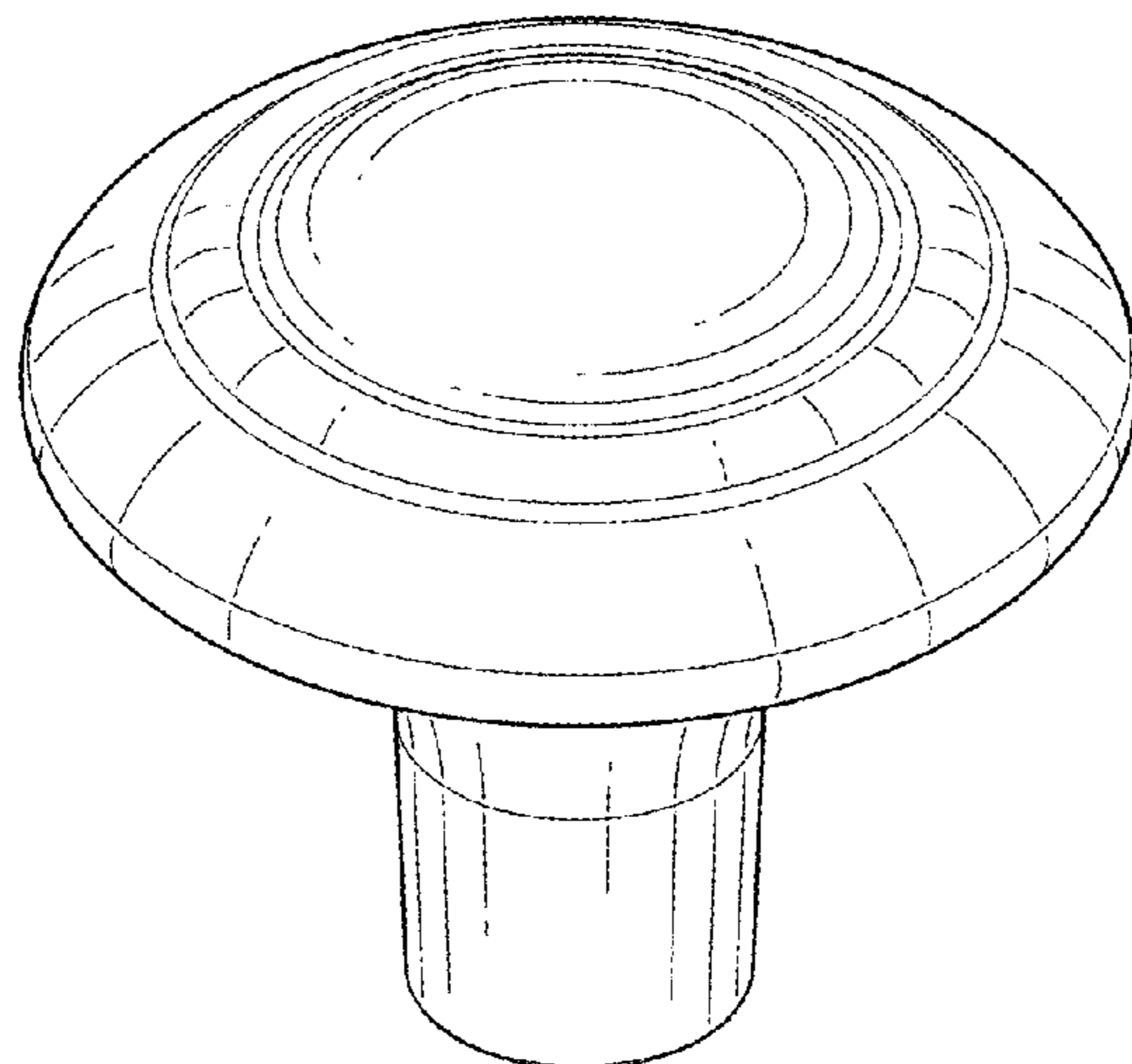
CPC . Y10T 292/57; Y10T 292/82; Y10T 16/469; Y10T 16/44; Y10T 16/506; Y10T 292/85; Y10T 16/458; Y10T 74/2084; Y10T 16/46; Y10T 16/459; Y10T 74/20732; Y10T 292/03; Y10T 16/4713; Y10T 16/466; Y10T 292/88; Y10T 29/49599; Y10T 16/487; Y10T 16/462; Y10T 16/4636; Y10T 74/20864; Y10T 70/5155; Y10T 16/4559; Y10T 292/0951; Y10T 292/0891; Y10T 292/0934; Y10T 292/0968; E05B 1/0007; E05B 1/0015; E05B 79/06; E05B 85/10; E05B 1/0053; E05B 55/005; E05B 1/00; E05B 85/107; E05B 3/00

**DESCRIPTION**

FIG. 1 is a perspective view of a cabinet knob showing my new design;  
FIG. 2 is a side elevation view thereof;  
FIG. 3 is a top plan view thereof; and,  
FIG. 4 is a bottom plan view thereof.  
The broken lines shown represent unclaimed subject matter and form no part of the claimed design.

See application file for complete search history.

**1 Claim, 2 Drawing Sheets**



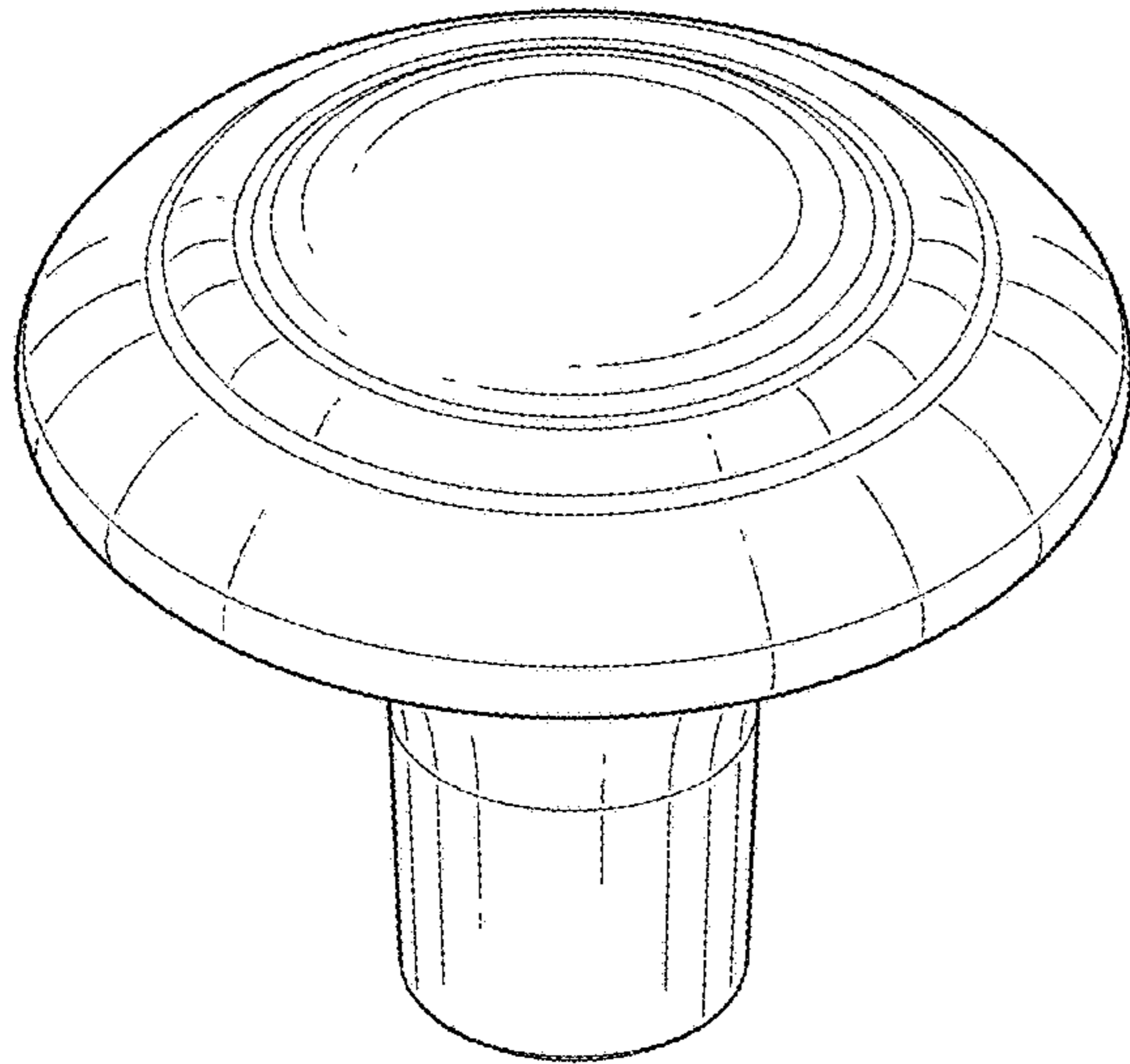


FIG. 1

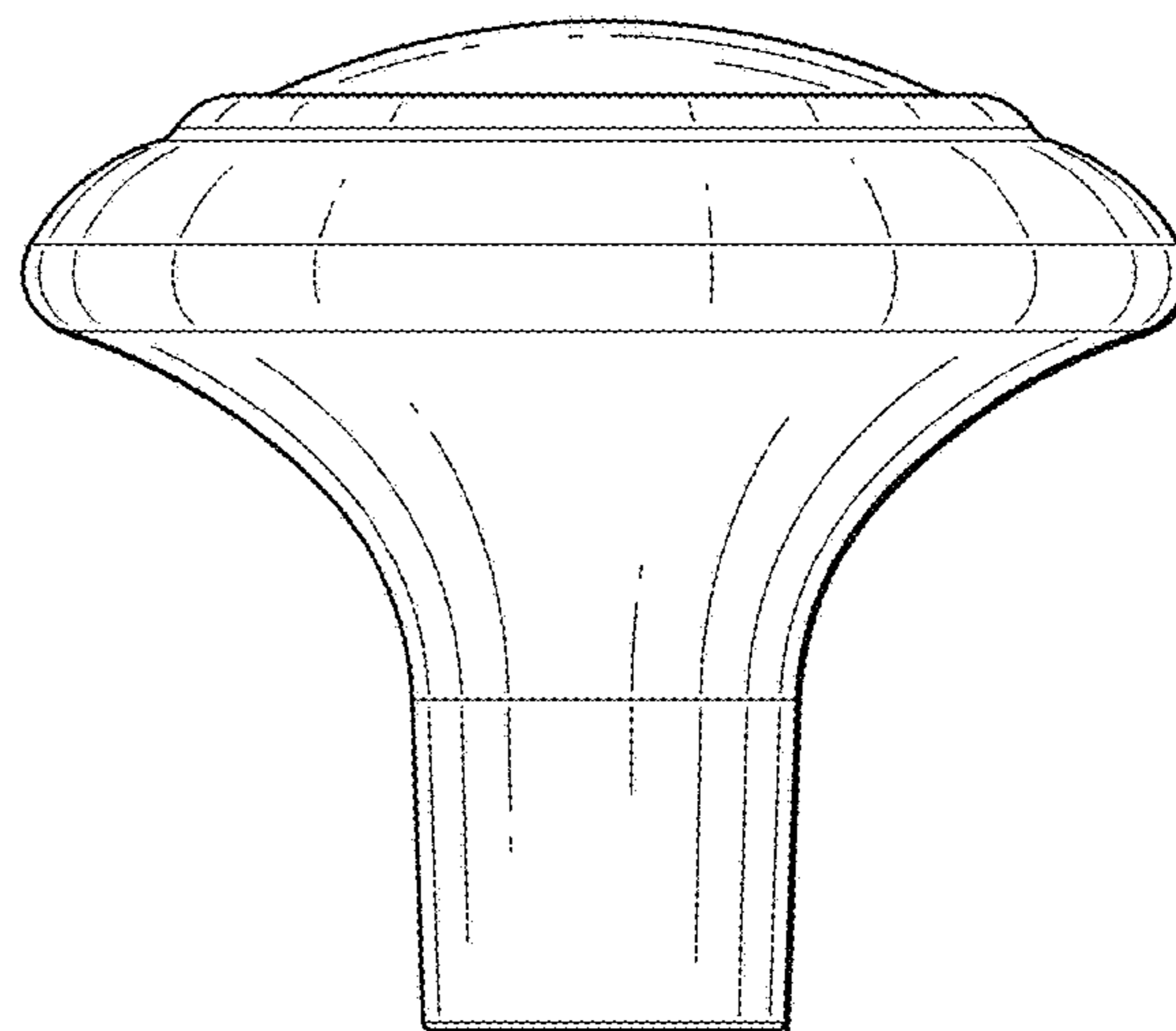


FIG. 2

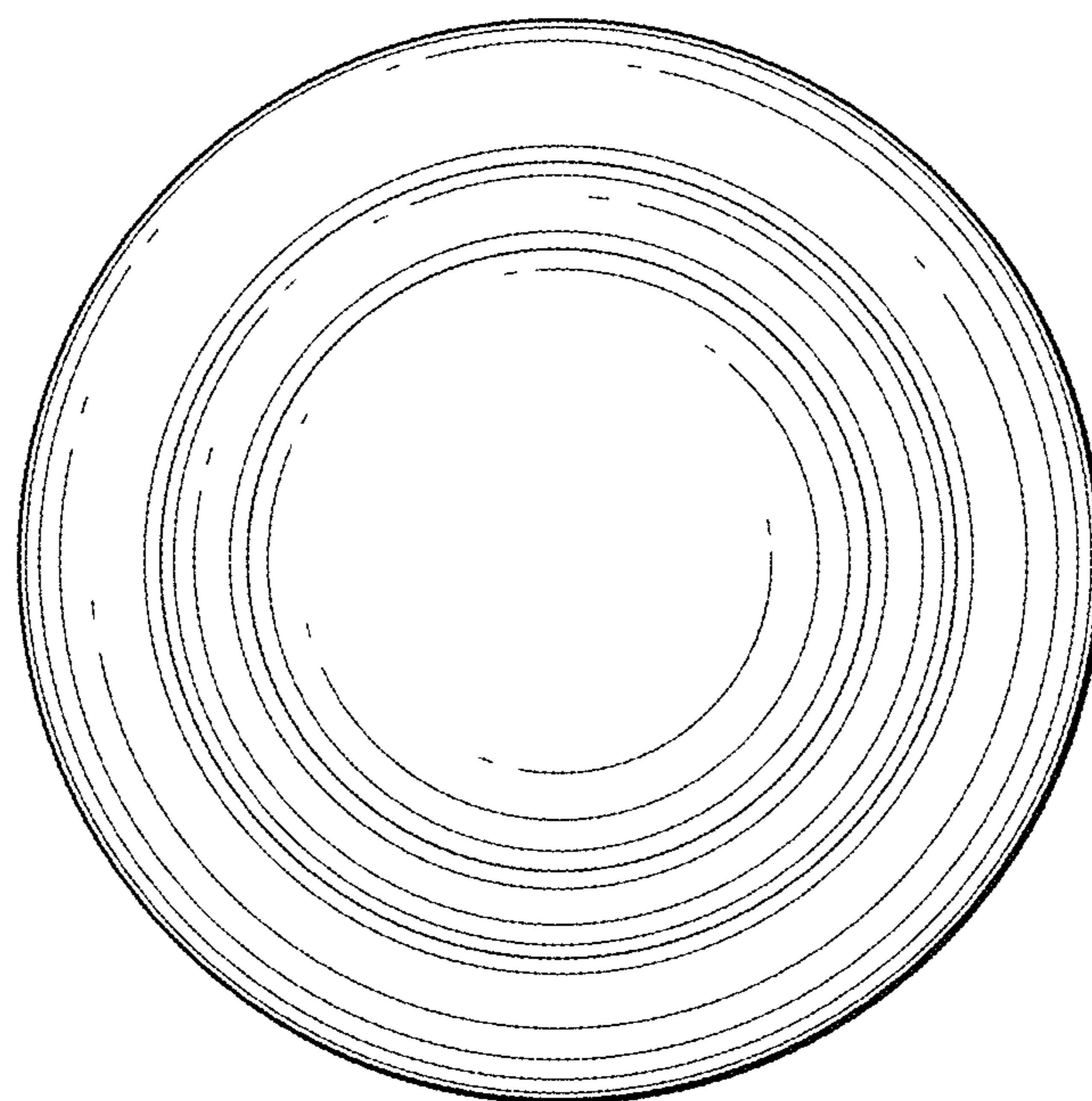


FIG. 3

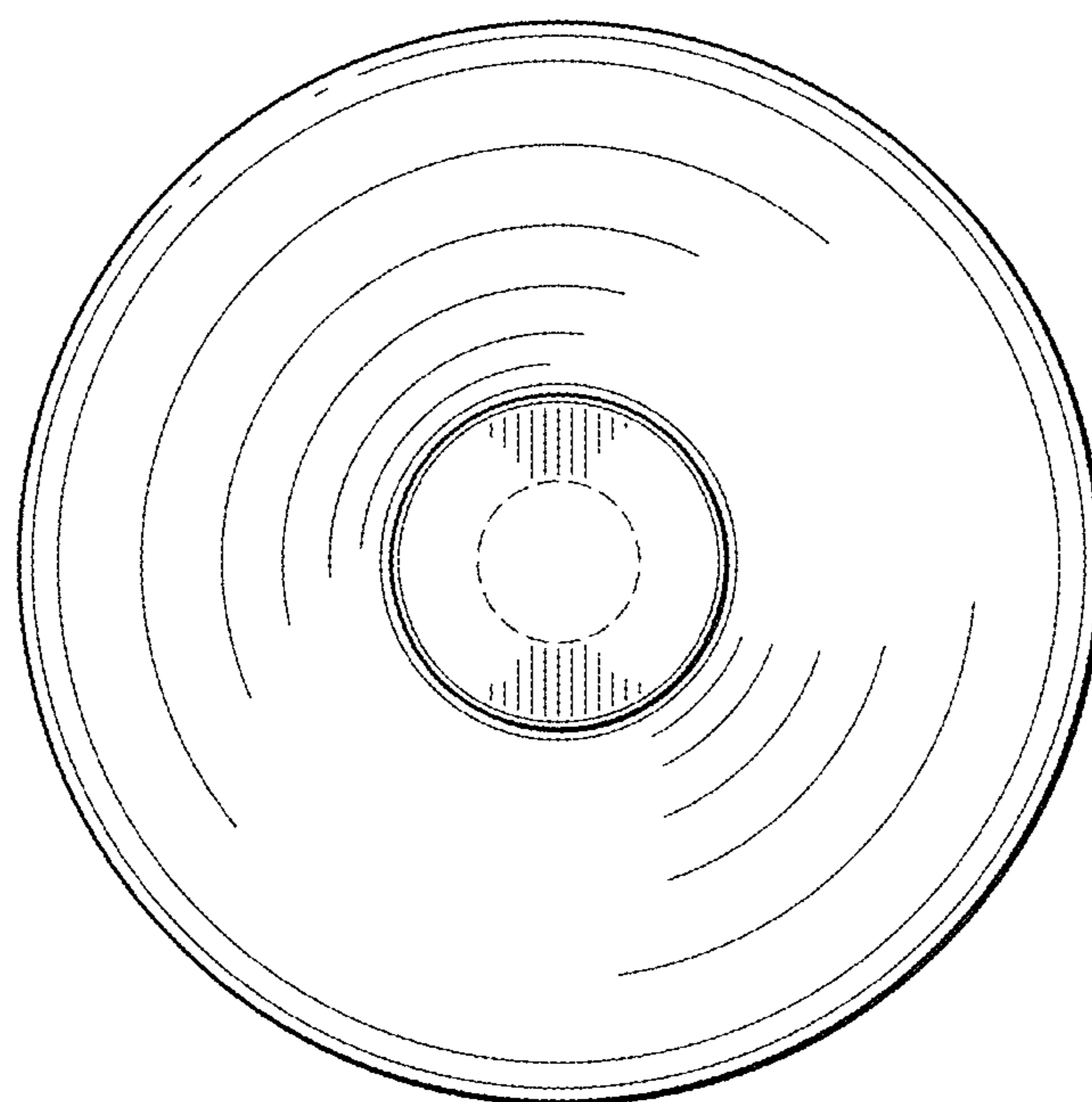


FIG. 4