



US00D772684S

(12) **United States Design Patent** (10) **Patent No.:** **US D772,684 S**  
**Zimmer** (45) **Date of Patent:** **\*\* Nov. 29, 2016**

(54) **CABINET KNOB**

(71) Applicant: **Top Knobs USA, Inc.**, Hillsborough, NJ (US)

(72) Inventor: **Christine Zimmer**, Hillsborough, NJ (US)

(73) Assignee: **TOP KNOBS USA, INC.**, Hillsborough, NJ (US)

(\*\*) Term: **15 Years**

(21) Appl. No.: **29/546,905**

(22) Filed: **Nov. 27, 2015**

(51) **LOC (10) Cl.** ..... **08-06**

(52) **U.S. Cl.**  
USPC ..... **D8/307**

(58) **Field of Classification Search**  
USPC ..... D8/300, 305, 307, 393, DIG. 1, DIG. 2;  
D7/393; D23/250, 254; 16/110.1, 413,  
16/414, 415, 417, 422, 441, DIG. 30;  
292/336.3, 347  
CPC . Y10T 292/57; Y10T 292/82; Y10T 16/469;  
Y10T 16/44; Y10T 16/506; Y10T 292/85;  
Y10T 16/458; Y10T 74/2084; Y10T 16/46;  
Y10T 16/459; Y10T 74/20732; Y10T 292/03;  
Y10T 16/4713; Y10T 16/466; Y10T 292/88;  
Y10T 29/49599; Y10T 16/487; Y10T 16/462;  
Y10T 16/4636; Y10T 74/20864; Y10T  
70/5155; Y10T 16/4559; Y10T 292/0951;  
Y10T 292/0891; Y10T 292/0934; Y10T  
292/0968; E05B 1/0007; E05B 1/0015;  
E05B 79/06; E05B 85/10; E05B 1/0053;  
E05B 55/005; E05B 1/00; E05B 85/107;  
E05B 3/00

See application file for complete search history.

(56) **References Cited**

U.S. PATENT DOCUMENTS

D51,961 S *	4/1918	Healey	.....	D8/307
D56,145 S *	8/1920	Greene	.....	D8/307
D64,095 S *	2/1924	Yates	.....	D8/307
D65,142 S *	7/1924	Roth	.....	D8/307
2,190,192 A *	2/1940	Raymond	.....	E05B 1/0015 16/417
D203,148 S *	12/1965	Kaiser	.....	D23/250
D574,214 S *	8/2008	Daniels	.....	D8/305
D613,823 S *	4/2010	Sofield	.....	D23/250
D680,406 S *	4/2013	Ramsland	.....	D8/305
D680,407 S *	4/2013	Ramsland	.....	D8/307
D718,111 S *	11/2014	Han	.....	D8/307
D755,035 S *	5/2016	Bahler	.....	D8/307

\* cited by examiner

*Primary Examiner* — Derrick Holland

*Assistant Examiner* — Lauren Calve

(74) *Attorney, Agent, or Firm* — Schultz & Associates, P.C.

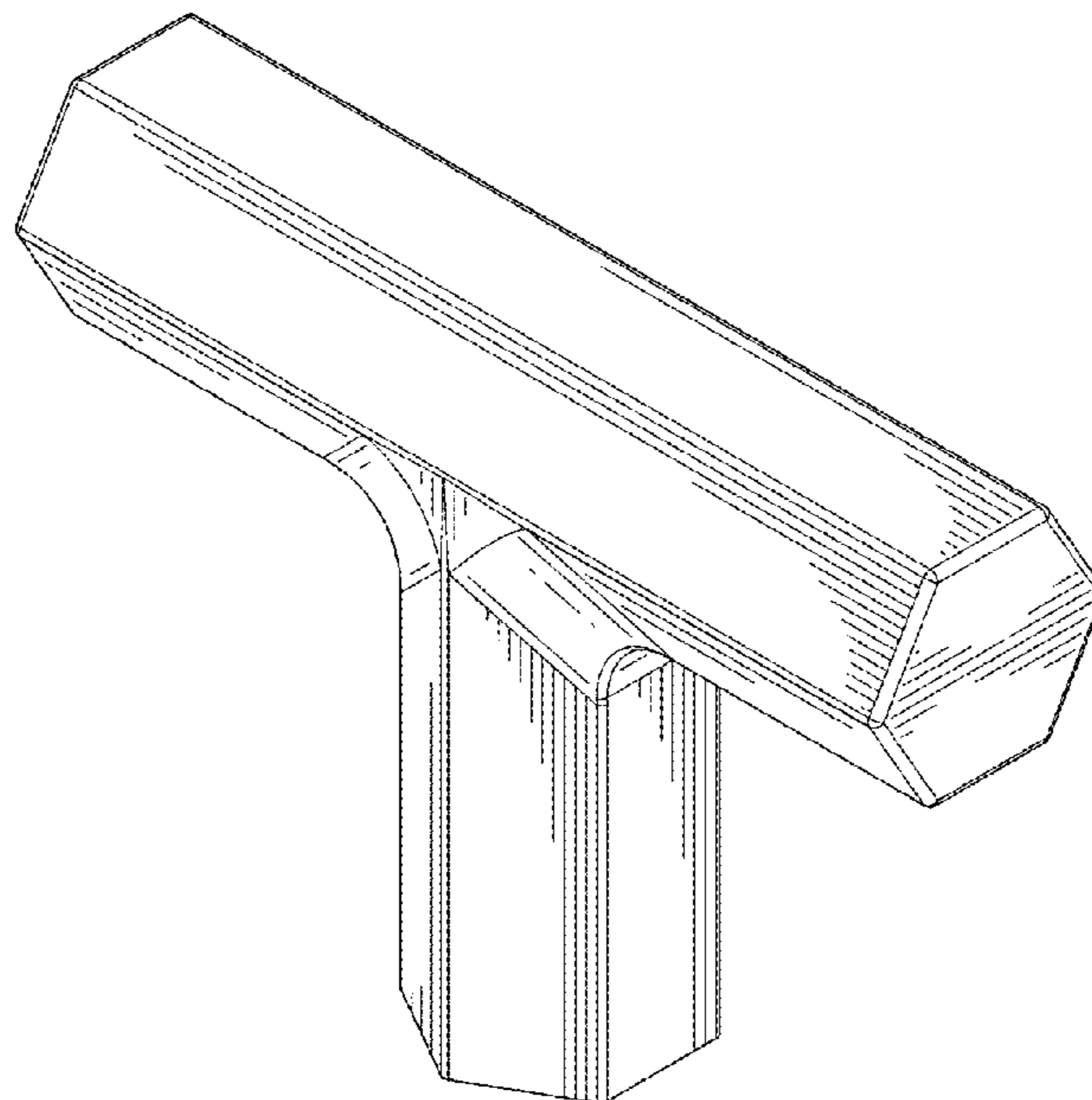
(57) **CLAIM**

The ornamental design for a cabinet knob, as shown and described.

**DESCRIPTION**

FIG. 1 is a perspective view of a cabinet knob showing my new design;  
FIG. 2 is a side elevation view thereof;  
FIG. 3 is a second side elevation view thereof;  
FIG. 4 is a top plan view thereof; and,  
FIG. 5 is a bottom plan view thereof.  
The broken lines shown represent unclaimed subject matter and form no part of the claimed design.

**1 Claim, 2 Drawing Sheets**



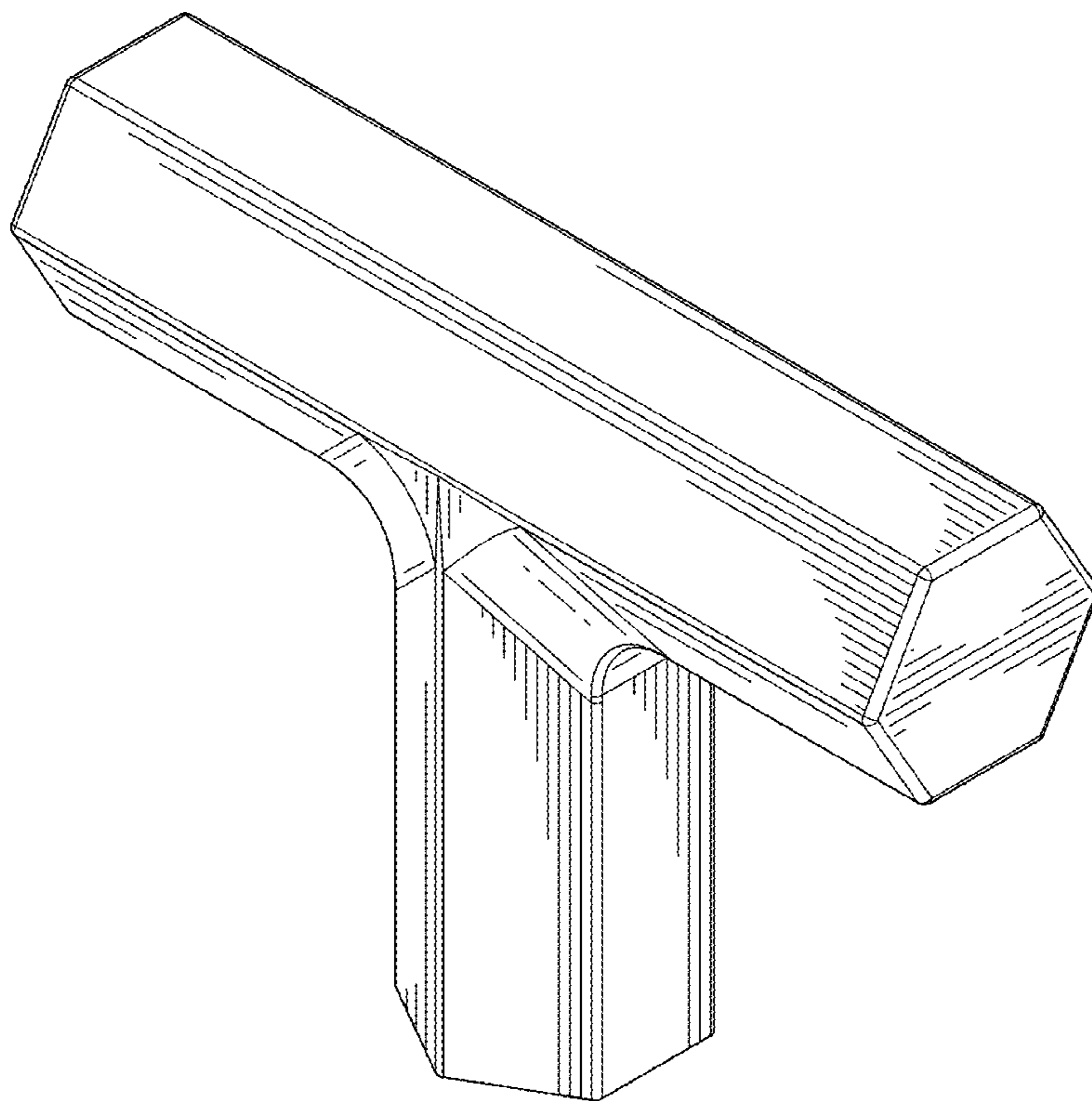


FIG. 1

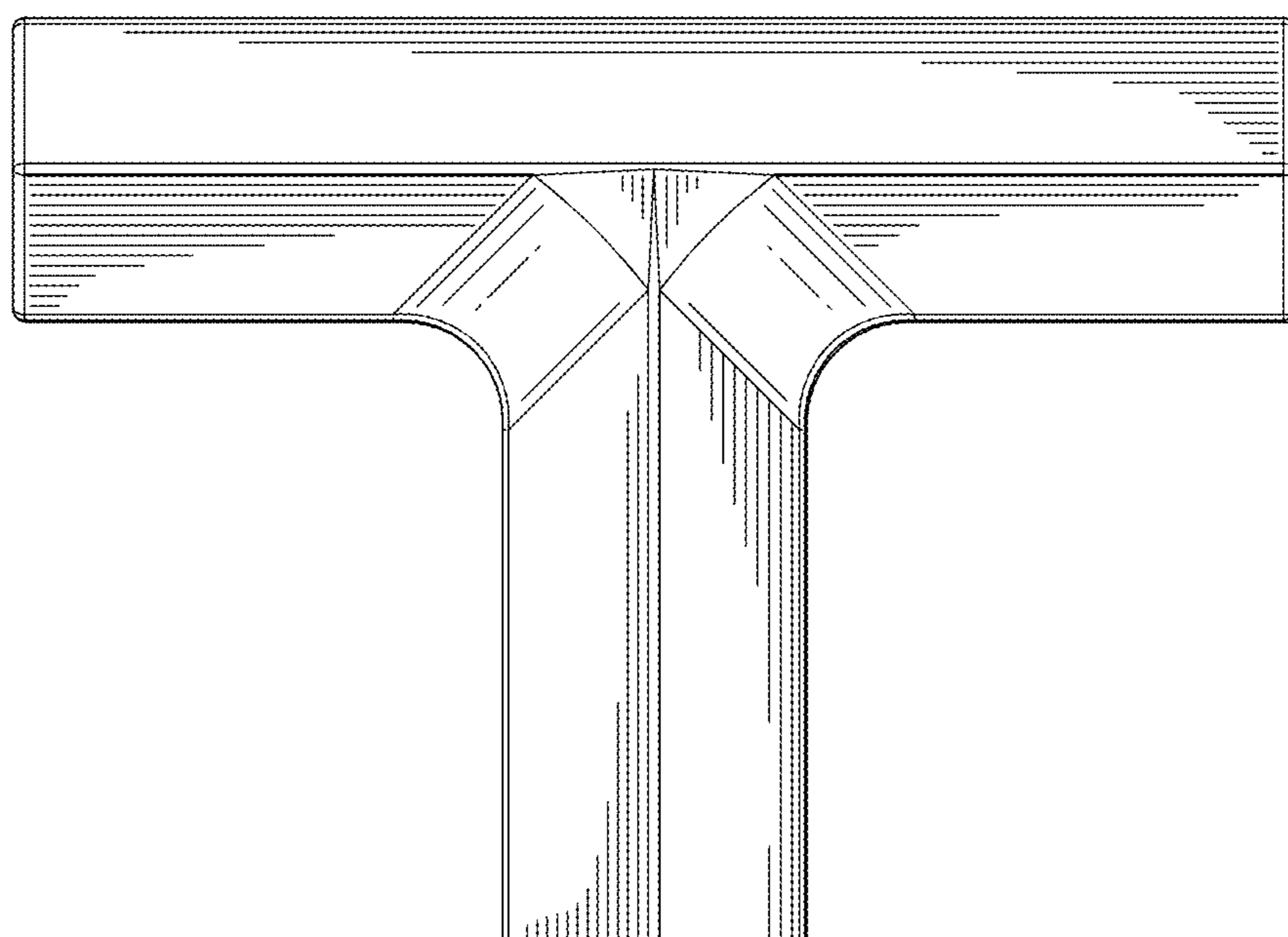


FIG. 2

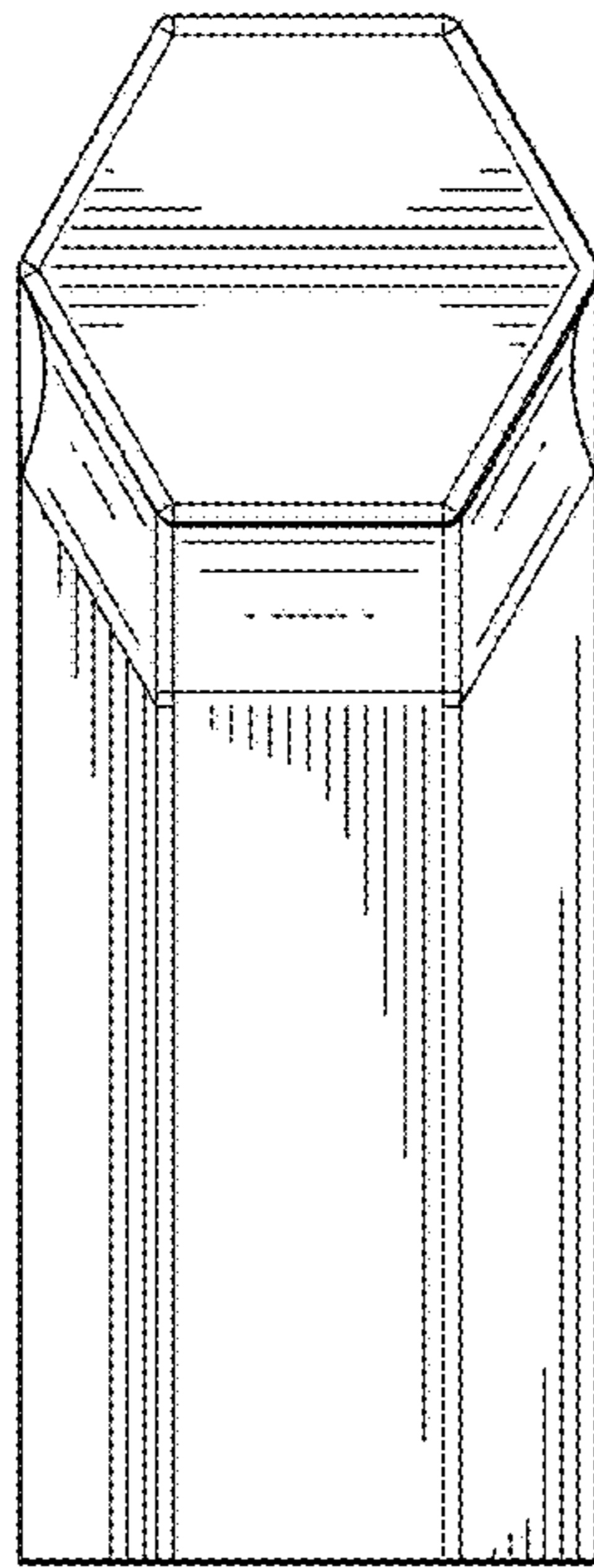


FIG. 3

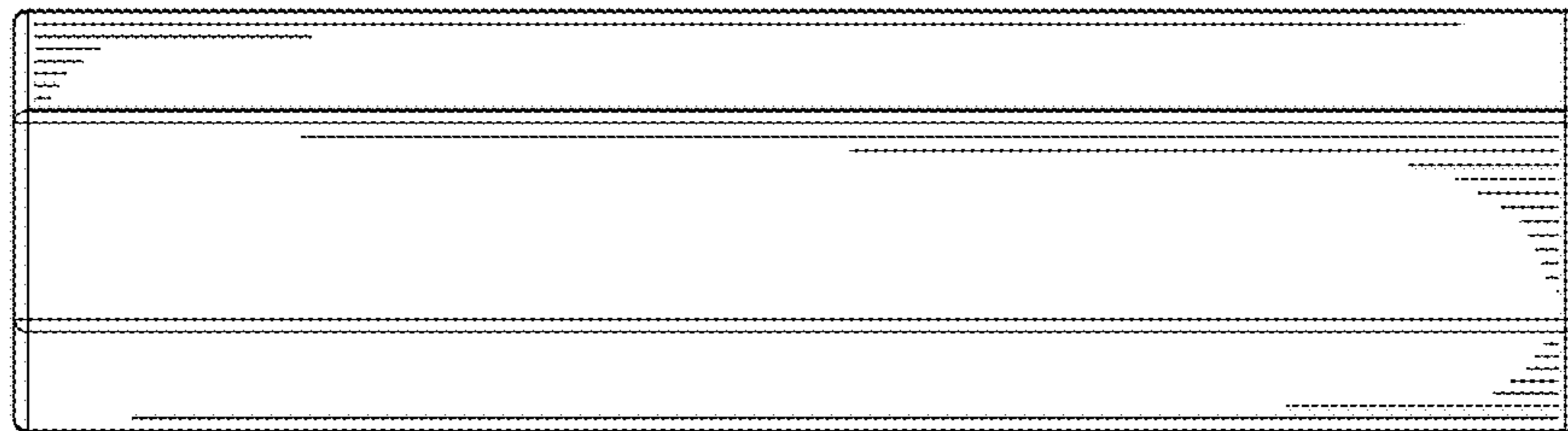


FIG. 4

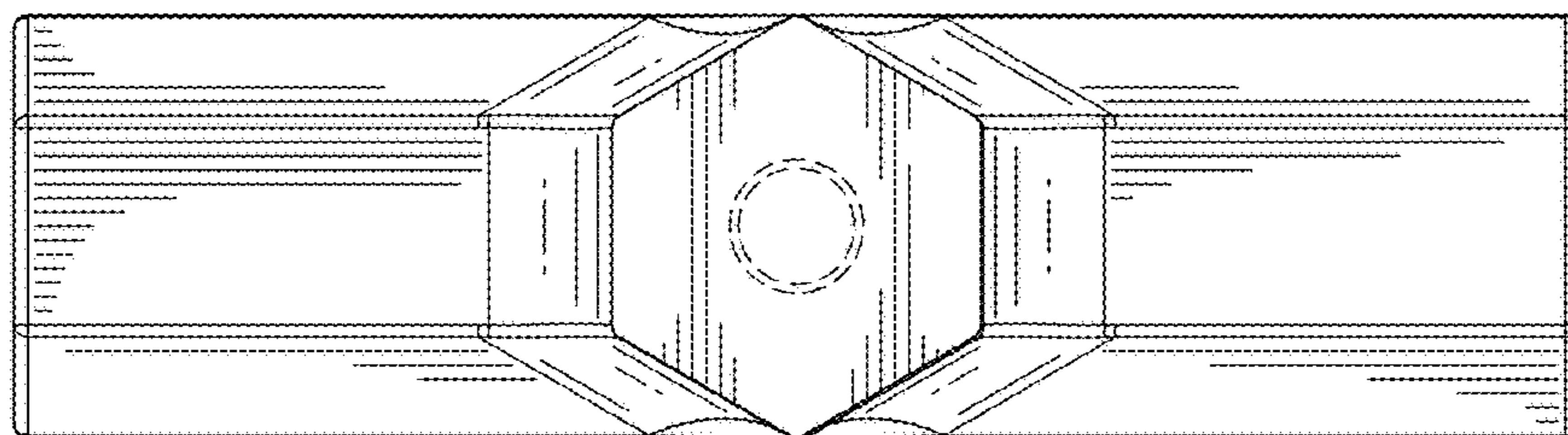


FIG. 5