



US00D772678S

(12) **United States Design Patent**
Haarburger

(10) **Patent No.:** **US D772,678 S**

(45) **Date of Patent:** **** Nov. 29, 2016**

(54) **MULTI-FUNCTION CARD-SHAPED TOOL**

(71) Applicant: **Nite Ize, Inc.**, Boulder, CO (US)

(72) Inventor: **Daniel Haarburger**, Boulder, CO (US)

(73) Assignee: **Nite Ize, Inc.**, Boulder, CO (US)

(**) Term: **15 Years**

(21) Appl. No.: **29/535,342**

(22) Filed: **Aug. 5, 2015**

(51) **LOC (10) Cl.** **08-05**

(52) **U.S. Cl.**
USPC **D8/105**; D8/19

(58) **Field of Classification Search**
USPC D8/16–21, 33, 40, 89, 105, 26, 85, 87,
D8/81, 98, 76
CPC B25F 1/00; B65D 69/00
See application file for complete search history.

(56) **References Cited**

U.S. PATENT DOCUMENTS

D116,179 S *	8/1939	Yates	D8/17
D257,383 S *	10/1980	Davenport	D22/149
D266,479 S *	10/1982	Hayakawa	D8/17
D302,514 S *	8/1989	Gates	D8/105
D399,405 S *	10/1998	Savoia	D8/105
D416,581 S *	11/1999	Cheng	D19/65
D431,105 S *	9/2000	Ling	D3/228
D449,211 S *	10/2001	Jean	D10/62
6,460,698 B1 *	10/2002	Wang	B25F 1/02 206/234
D517,390 S *	3/2006	Cheng	D8/105

D707,091 S *	6/2014	Barr	D8/16
D710,179 S *	8/2014	Thomas	D8/105
D751,877 S *	3/2016	Shlaferman	D8/19
9,302,383 B2 *	4/2016	Barr	B25F 1/00
D756,178 S *	5/2016	Kelleghan	D2/639

* cited by examiner

Primary Examiner — Susan Bennett Hattan

Assistant Examiner — Janice Hallmark

(74) *Attorney, Agent, or Firm* — Haynes and Boone, LLP

(57) **CLAIM**

The ornamental design for a multi-function card-shaped tool, as shown and described.

DESCRIPTION

FIG. 1 is a front perspective view of the multi-function card-shaped tool;
 FIG. 2 is a back perspective view of the multi-function card-shaped tool of FIG. 1;
 FIG. 3 is a front view of the multi-function card-shaped tool of FIG. 1;
 FIG. 4 is a back view of the multi-function card-shaped tool of FIG. 1;
 FIG. 5 is a top view of the multi-function card-shaped tool of FIG. 1;
 FIG. 6 is a bottom view of the multi-function card-shaped tool of FIG. 1;
 FIG. 7 is a right side view of the multi-function card-shaped tool of FIG. 1; and,
 FIG. 8 is a left side view of the multi-function card-shaped tool of FIG. 1.

1 Claim, 5 Drawing Sheets

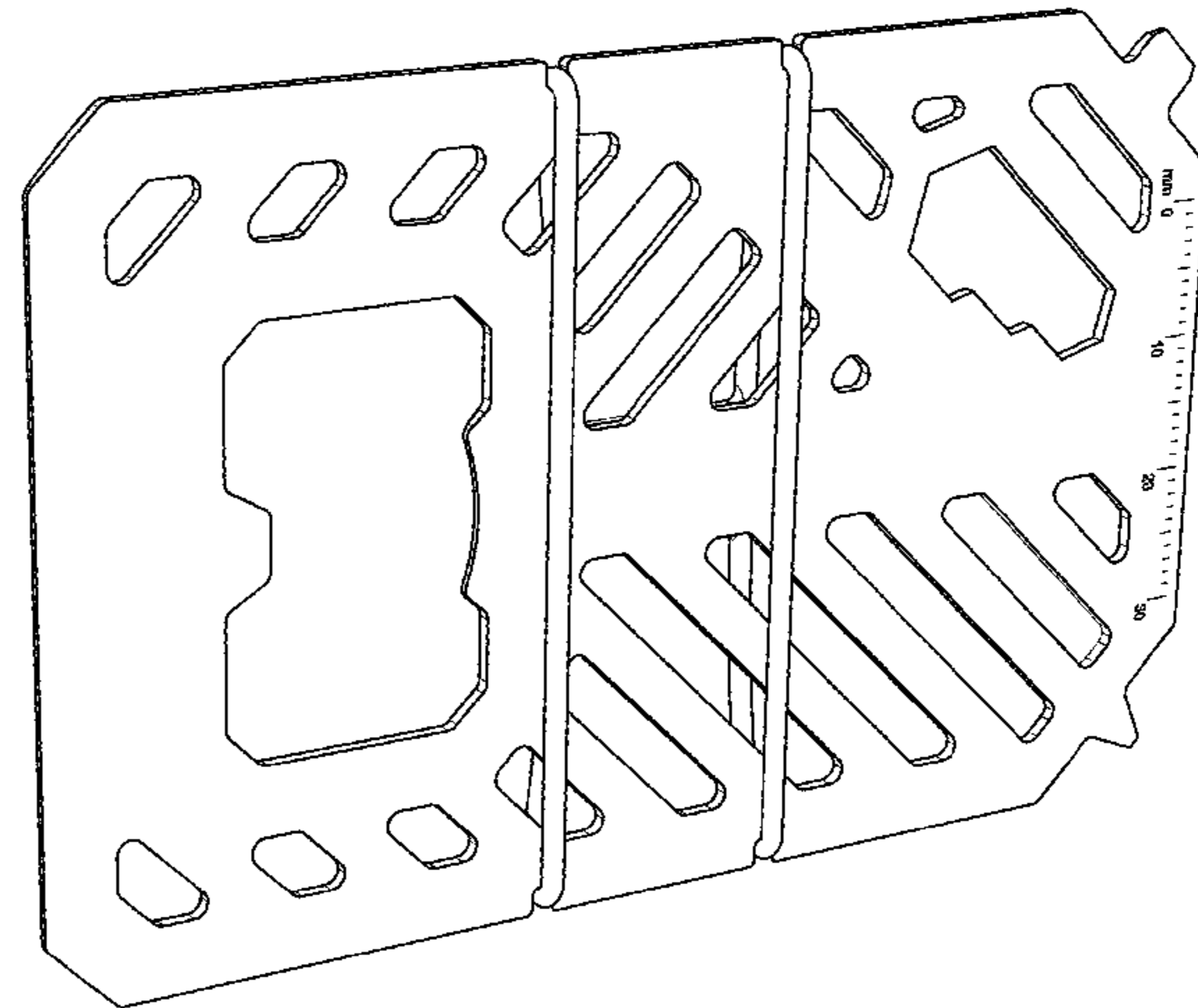
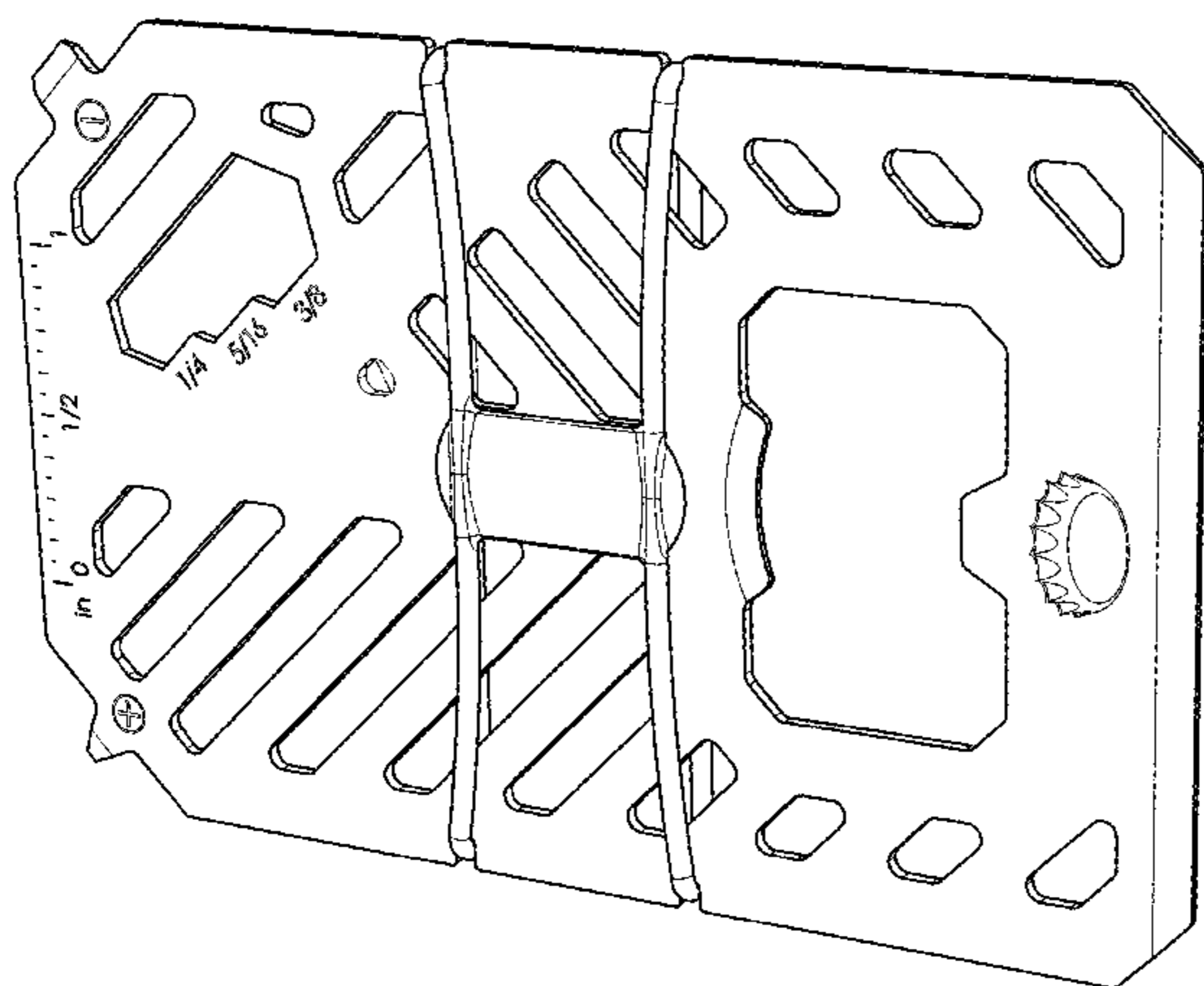


FIG. 1

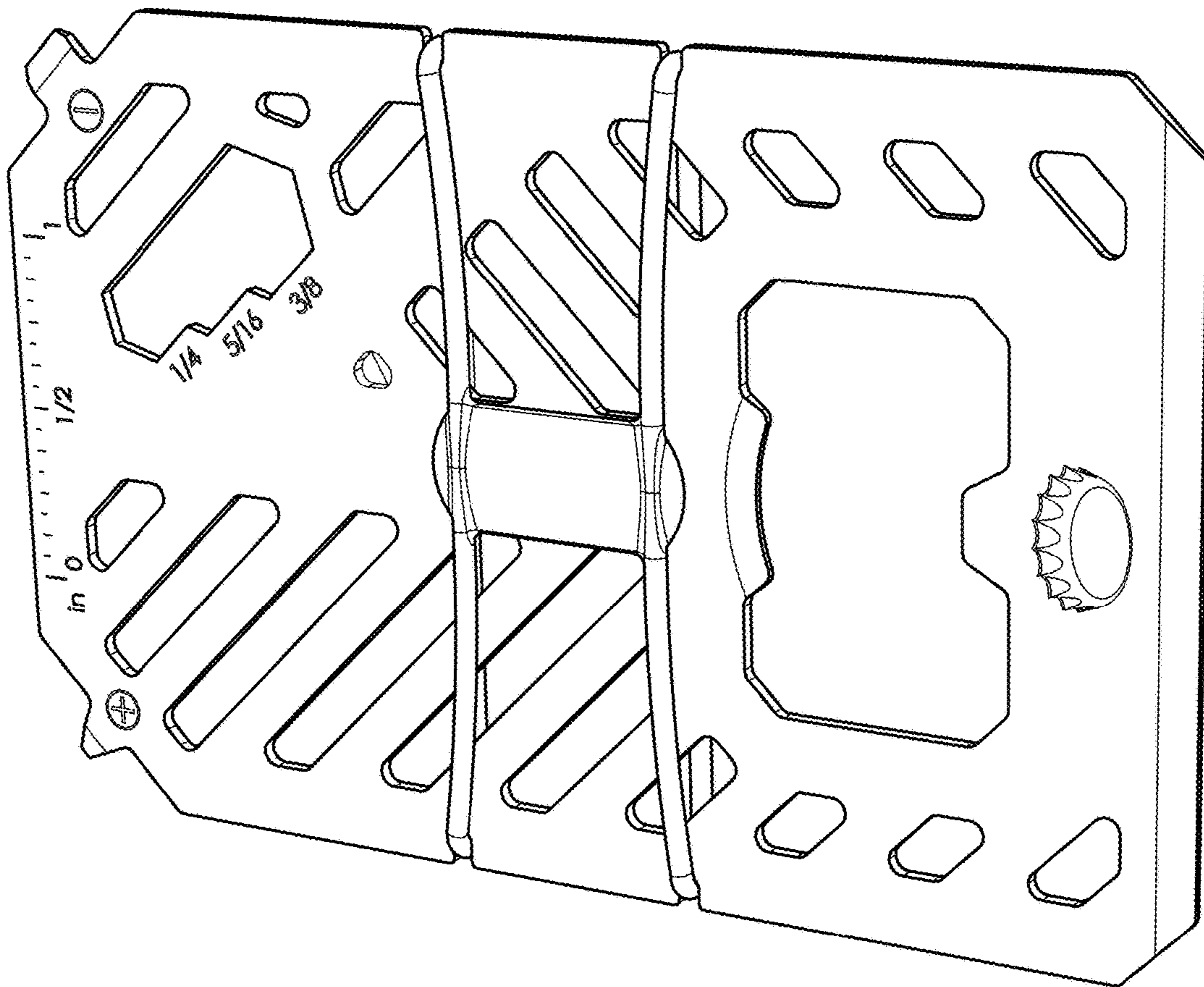


FIG. 2

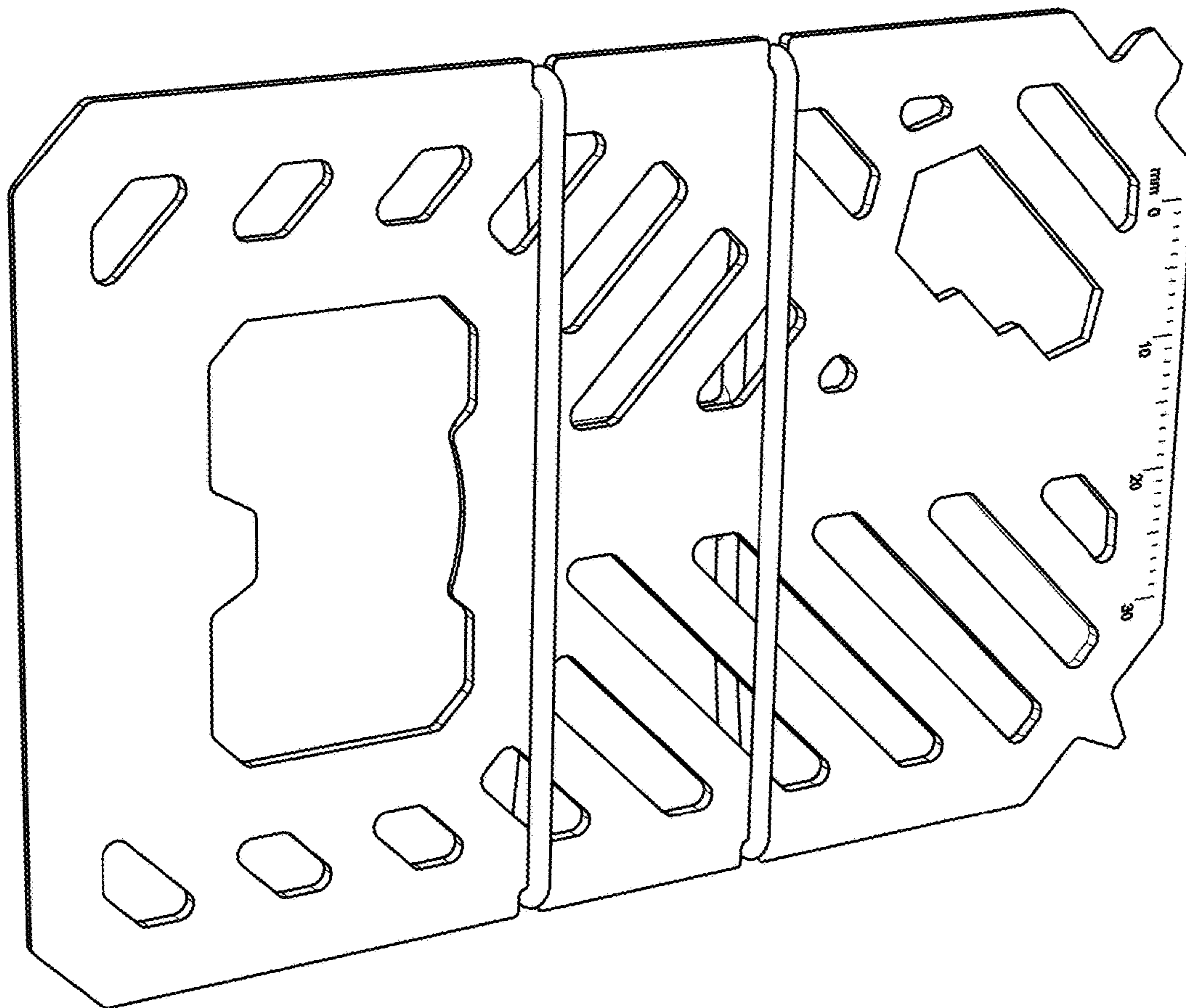


FIG. 3

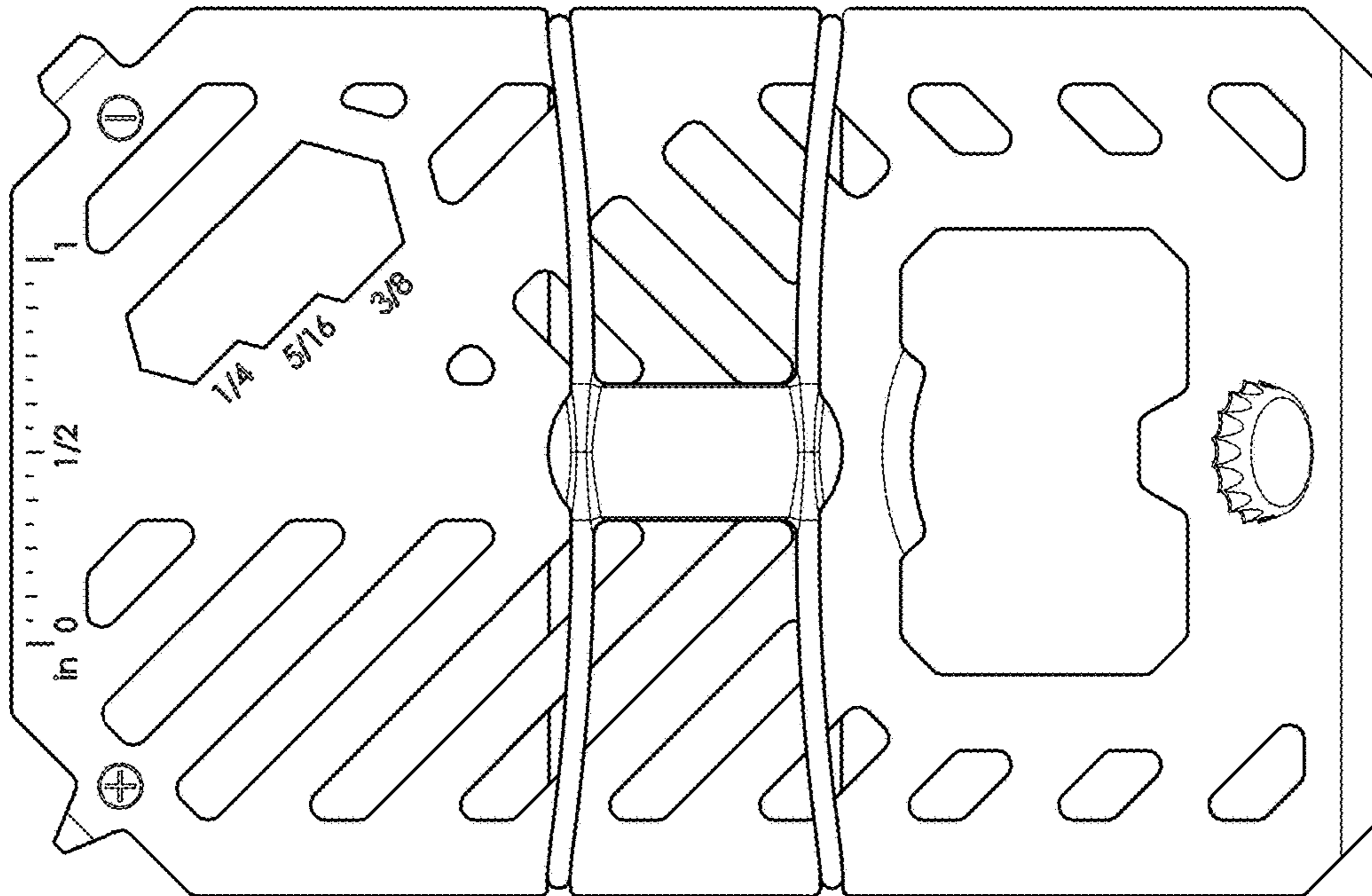


FIG. 4

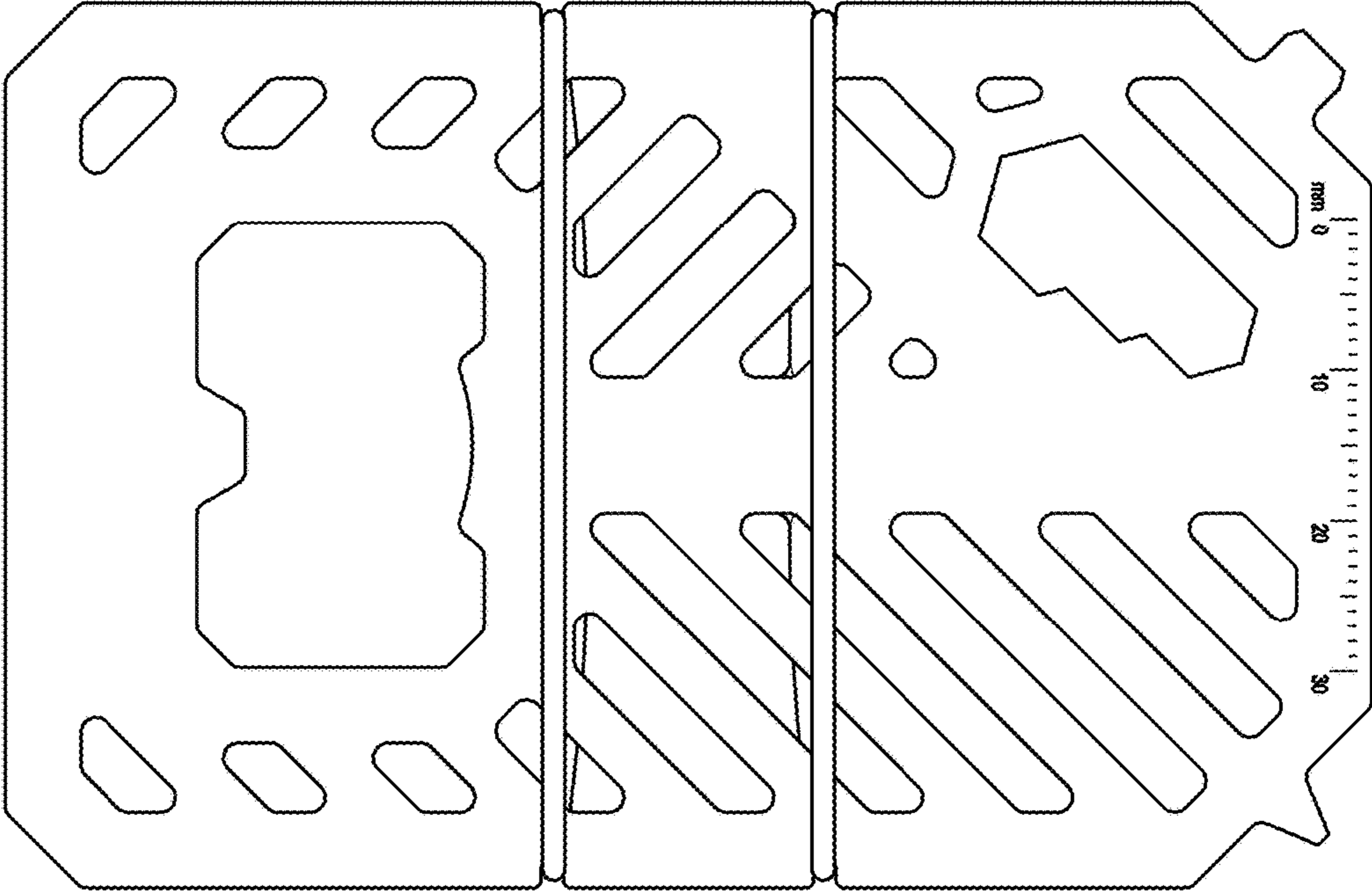


FIG. 5

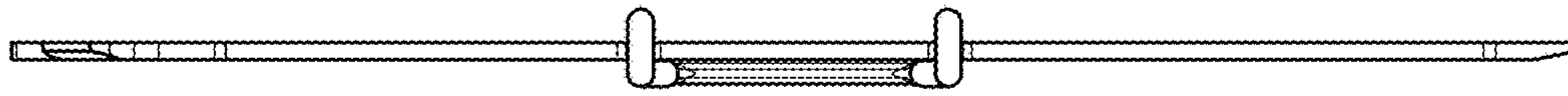


FIG. 6

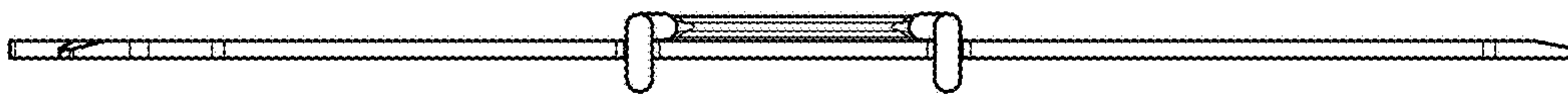


FIG. 7



FIG. 8

