



US00D772674S

(12) **United States Design Patent**  
**Johnson**

(10) **Patent No.:** **US D772,674 S**

(45) **Date of Patent:** **\*\* Nov. 29, 2016**

(54) **BROADHEAD SHARPENING TOOL**

(71) Applicant: **EZE-LAP Diamond Products, Inc.**,  
Carson City, NV (US)

(72) Inventor: **Ralph Johnson**, Minden, NV (US)

(\*\*) Term: **15 Years**

(21) Appl. No.: **29/547,756**

(22) Filed: **Dec. 7, 2015**

(51) **LOC (10) Cl.** ..... **08-05**

(52) **U.S. Cl.**  
USPC ..... **D8/91**

(58) **Field of Classification Search**

USPC ..... D8/90-94, 98, 99, 105, 107; 451/45,  
451/194, 234, 349, 356, 361, 451, 461, 486,  
451/524, 552, 555-558; 76/82, 86-88  
CPC ..... B24B 3/54; B24B 3/546; B24D 15/06;  
B24D 15/065; B24D 15/08; B24D 15/081;  
B24D 15/0822  
See application file for complete search history.

(56) **References Cited**

**U.S. PATENT DOCUMENTS**

2,951,400	A *	9/1960	Renne, Jr.	.....	B24D 15/06 76/86
2,994,234	A *	8/1961	Lizak	.....	B24D 15/065 76/86
3,654,823	A *	4/1972	Juranitch	.....	B24D 15/06 451/371
3,733,933	A *	5/1973	Longbrake	.....	B23D 67/12 269/3
3,797,334	A *	3/1974	Sinclair	.....	B24D 15/08 451/555
3,800,632	A *	4/1974	Juranitch	.....	B24D 15/06 451/370
4,078,455	A *	3/1978	Brody	.....	B23D 71/04 451/555
4,228,703	A *	10/1980	Moss	.....	B24D 15/06 76/82.2
D287,222	S *	12/1986	Cooley	.....	D8/91
4,696,129	A *	9/1987	Roberts	.....	B24D 15/06 451/45
4,747,235	A *	5/1988	Priebe	.....	B24D 15/06 451/361
4,835,910	A *	6/1989	Roberts	.....	B24D 15/06 451/45

5,157,879	A *	10/1992	Fletcher	.....	B24D 15/06 451/45
D375,442	S *	11/1996	Hughes	.....	D8/16
6,142,038	A *	11/2000	Kenesky	.....	B24D 15/081 451/524
6,393,946	B1 *	5/2002	Kenesky	.....	B24D 15/081 451/524
D499,004	S *	11/2004	Smith	.....	D8/91
6,817,269	B1 *	11/2004	Grace, Jr.	.....	B24D 15/081 451/524
D550,532	S *	9/2007	Radocy	.....	D8/91
7,264,540	B1 *	9/2007	Brantley	.....	B24B 3/54 451/194
D593,392	S *	6/2009	Domonoske	.....	D8/98
8,167,688	B1 *	5/2012	Adler	.....	B24D 15/081 451/349
8,221,199	B2 *	7/2012	Smith	.....	B24B 3/54 451/461

(Continued)

**OTHER PUBLICATIONS**

EZE-LAP Broadhead Sharpener. Snagged Jul. 11, 2016 from <https://www.amazon.com/EZE-LAP-WJ-Broadhead-Sharpener/dp/B002RL83FE>.\*

(Continued)

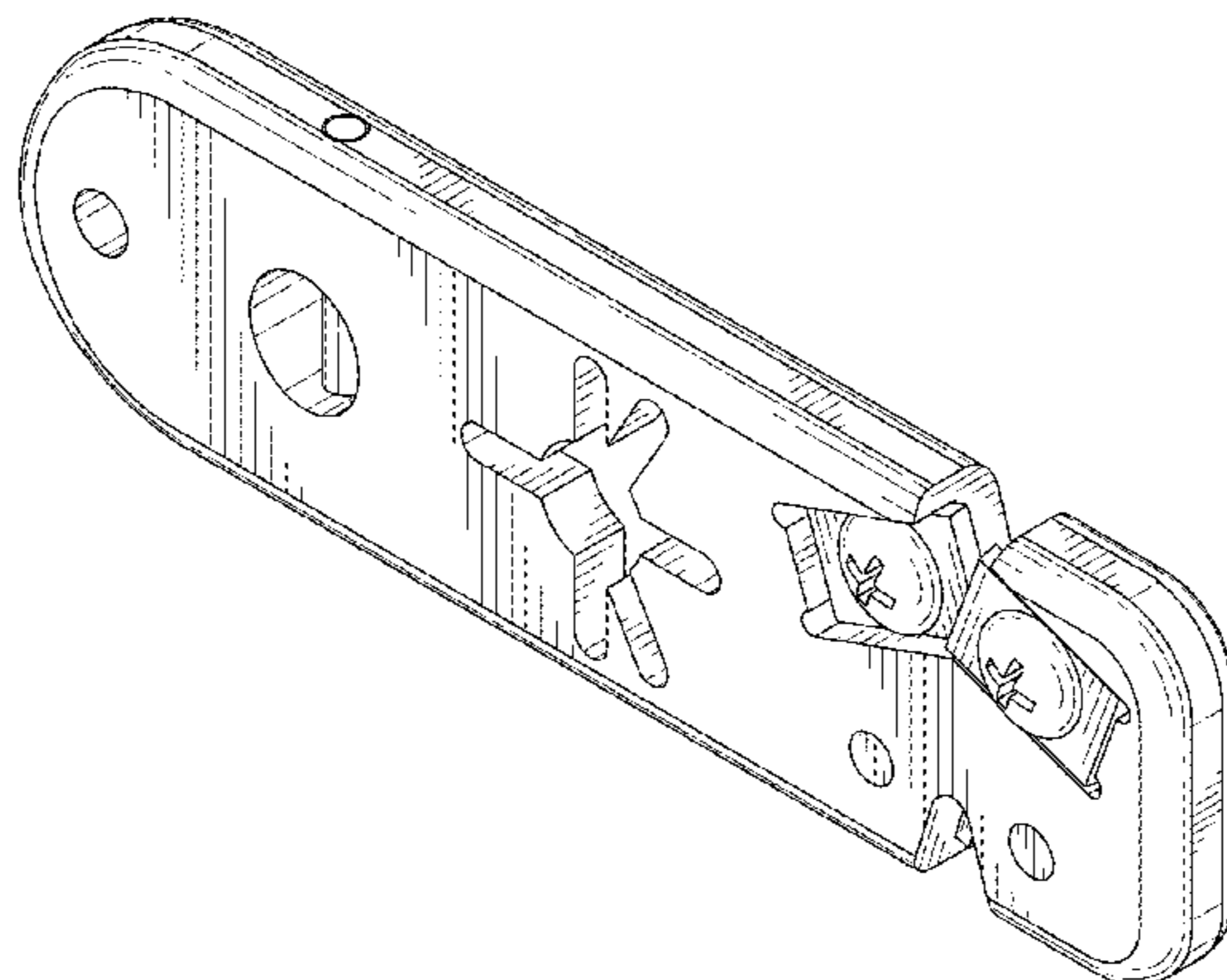
*Primary Examiner* — Philip S Hyder  
*Assistant Examiner* — Roselynn Cody  
(74) *Attorney, Agent, or Firm* — Holland & Hart LLP

(57) **CLAIM**  
The ornamental design for a broadhead sharpening tool, as shown and described.

**DESCRIPTION**

FIG. 1 is a perspective view of the broadhead sharpening tool showing my new design;  
FIG. 2 is a left side view of the broadhead sharpening tool shown in FIG. 1;  
FIG. 3 is a right side view of the broadhead sharpening tool shown in FIG. 1;  
FIG. 4 is a top view of the broadhead sharpening tool shown in FIG. 1;  
FIG. 5 is a bottom view of the broadhead sharpening tool shown in FIG. 1;  
FIG. 6 is a front side view of the broadhead sharpening tool shown in FIG. 1; and,  
FIG. 7 is a back side view of the broadhead sharpening tool shown in FIG. 1.

**1 Claim, 3 Drawing Sheets**



(56)

**References Cited**

U.S. PATENT DOCUMENTS

D721,564 S \* 1/2015 Purnomohadi ..... D8/98  
D723,898 S \* 3/2015 Smith ..... D8/105  
D731,278 S \* 6/2015 Cavanaugh ..... D8/105  
D744,803 S \* 12/2015 Johnson ..... D8/93  
D744,804 S \* 12/2015 Johnson ..... D8/93  
2003/0172463 A1\* 9/2003 Marfione ..... B26B 11/00  
7/158  
2006/0009138 A1\* 1/2006 Reisinger ..... B24D 15/081  
451/356

OTHER PUBLICATIONS

Redi Edge Mechanical Broadhead Sharpener. Snagged Jul. 11, 2016  
at [https://www.amazon.com/dp/B005I38Z2E/ref=psdc\\_289867\\_t3\\_B002RL83FE.\\*](https://www.amazon.com/dp/B005I38Z2E/ref=psdc_289867_t3_B002RL83FE.*)

\* cited by examiner

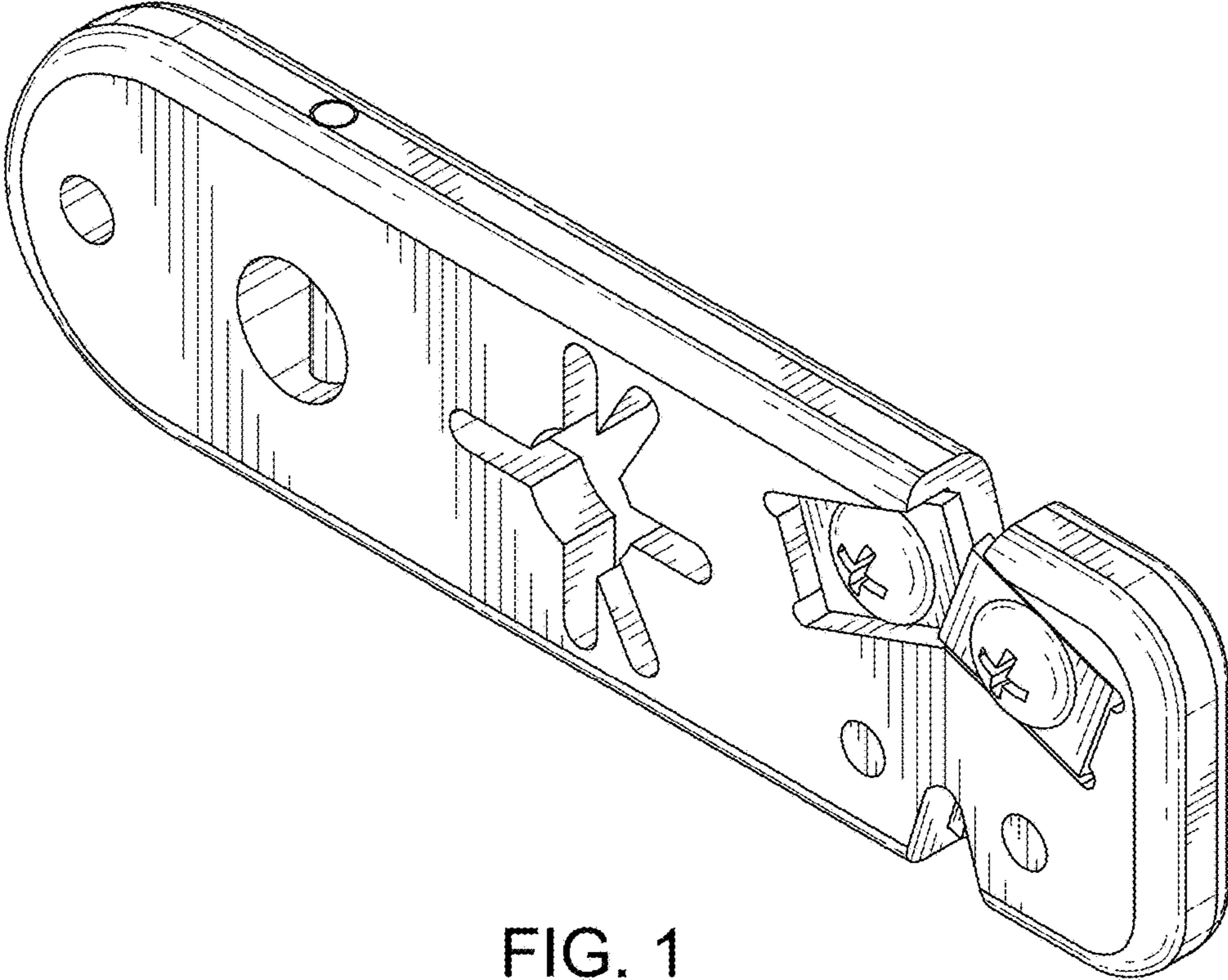


FIG. 1

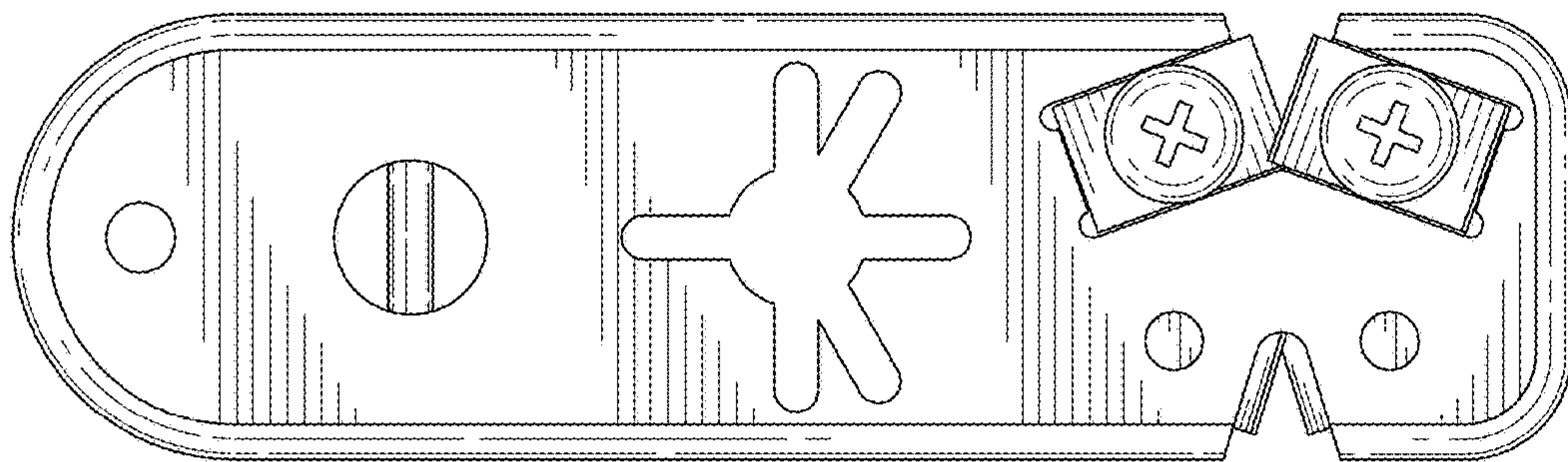


FIG. 2

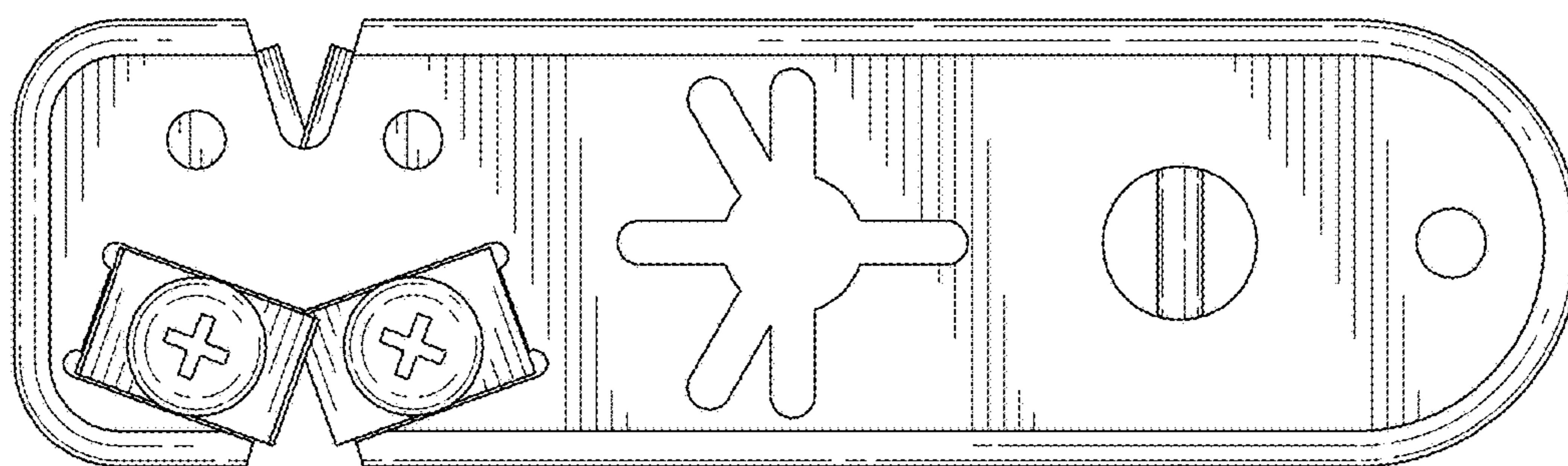


FIG. 3

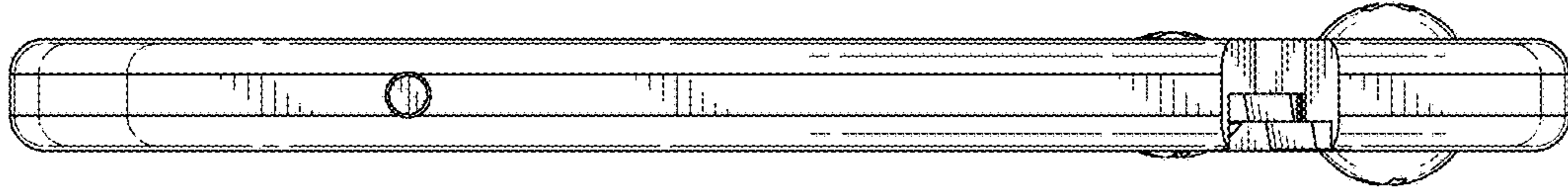


FIG. 4

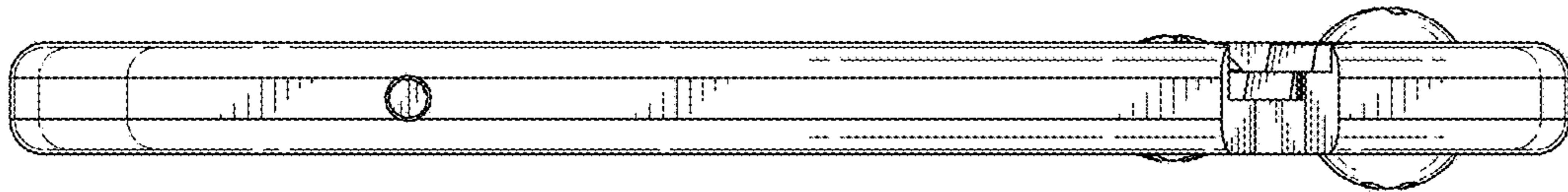


FIG. 5

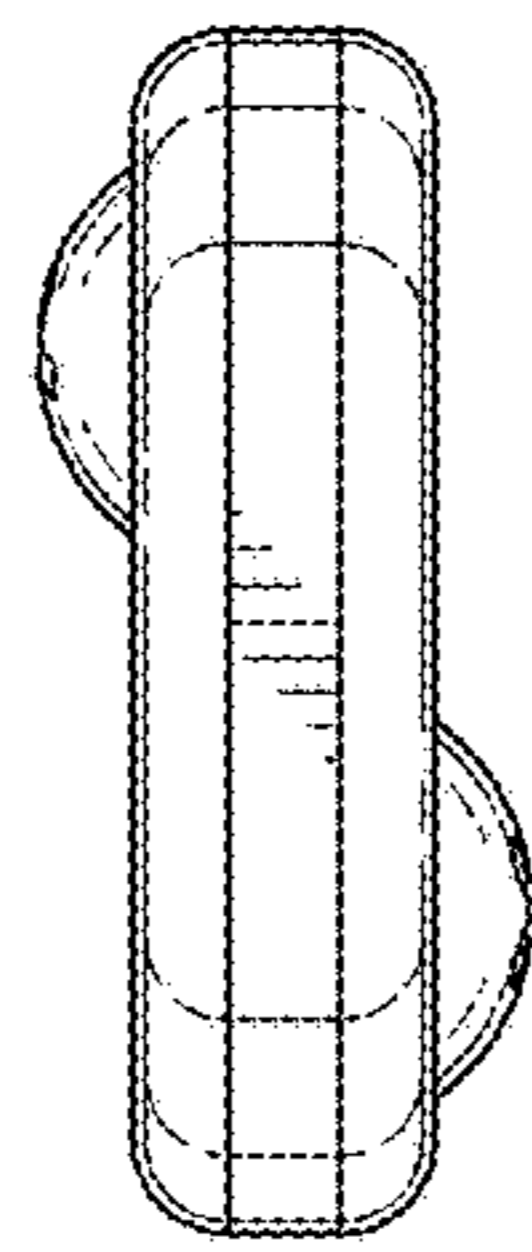


FIG. 6

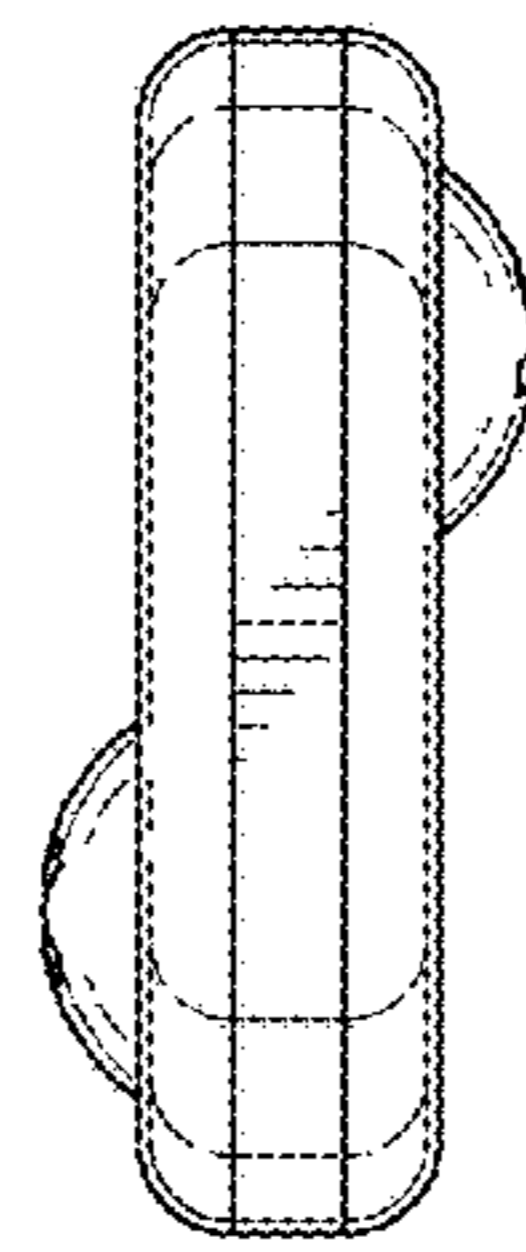


FIG. 7