



US00D772673S

(12) **United States Design Patent** (10) **Patent No.:** **US D772,673 S**  
**Chen** (45) **Date of Patent:** **\*\* Nov. 29, 2016**

(54) **TOOL BIT HOLDER**  
(71) Applicant: **WINRIDE INTERNATIONAL CO., LTD.**, Taichung (TW)  
(72) Inventor: **Tuo-Jen Chen**, Taichung (TW)  
(73) Assignee: **WINRIDE INTERNATIONAL CO., LTD.**, Taichung (TW)

D384,563 S \* 10/1997 Robinson ..... D8/70  
D528,395 S \* 9/2006 Schluter ..... D8/86  
7,185,568 B1 \* 3/2007 Vance ..... B25B 23/0021  
81/177.2  
D546,157 S \* 7/2007 Schluter ..... D8/86  
D546,655 S \* 7/2007 Schluter ..... D8/86  
D616,280 S \* 5/2010 Su ..... D8/86  
D653,517 S \* 2/2012 Lucio ..... D8/86  
8,887,599 B2 \* 11/2014 Evans ..... B25B 13/04  
81/177.2

(\*\*) Term: **15 Years**

\* cited by examiner

(21) Appl. No.: **29/532,932**

*Primary Examiner* — Phillip S Hyder  
(74) *Attorney, Agent, or Firm* — Guice Patents PLLC

(22) Filed: **Jul. 13, 2015**

(57) **CLAIM**

(51) **LOC (10) Cl.** ..... **08-04**

The ornamental design for a tool bit holder, as shown and described.

(52) **U.S. Cl.**

**DESCRIPTION**

USPC ..... **D8/86**

(58) **Field of Classification Search**

USPC ..... D8/14, 21, 29, 70, 86  
CPC ..... B25B 23/0021; B25B 23/0007; B25B 23/0035

See application file for complete search history.

FIG. 1 is a perspective view of a tool bit holder illustrating my new design;  
FIG. 2 is a front elevational view thereof;  
FIG. 3 is a rear elevational view thereof;  
FIG. 4 is a left side view thereof;  
FIG. 5 is a right side view thereof;  
FIG. 6 is a top plan view thereof; and,  
FIG. 7 is a bottom plan view thereof.

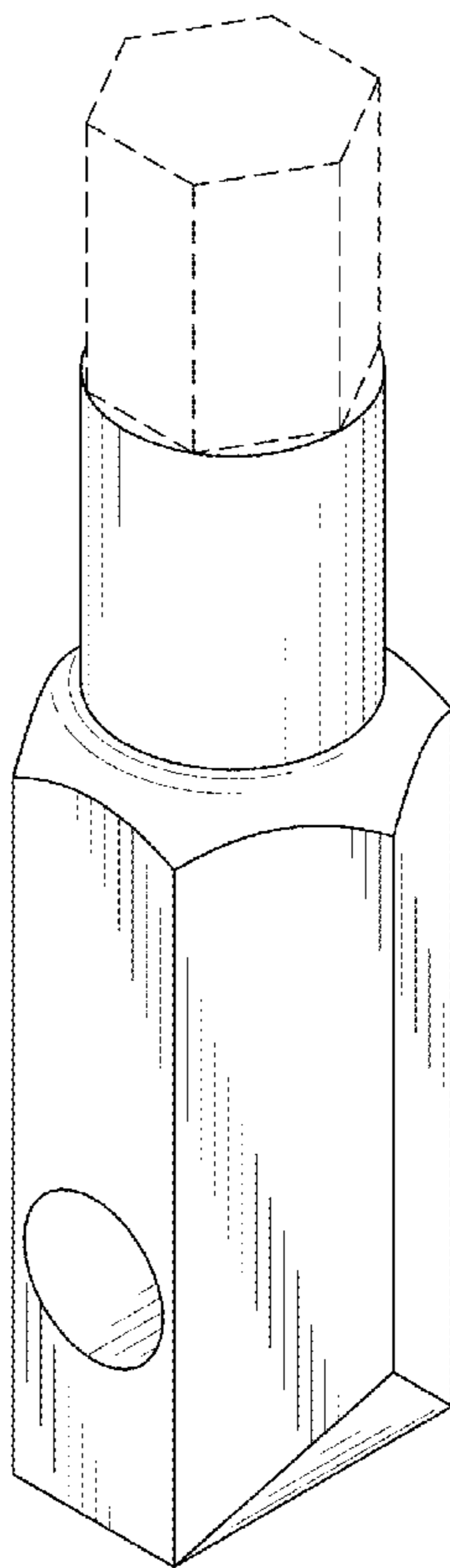
The broken lines shown in the drawings show unclaimed subject matter only and form no part of the claimed design.

(56) **References Cited**

**U.S. PATENT DOCUMENTS**

D245,395 S \* 8/1977 Cognevich ..... D8/29  
5,568,757 A \* 10/1996 Lewis ..... B25B 23/0021  
81/177.2

**1 Claim, 6 Drawing Sheets**



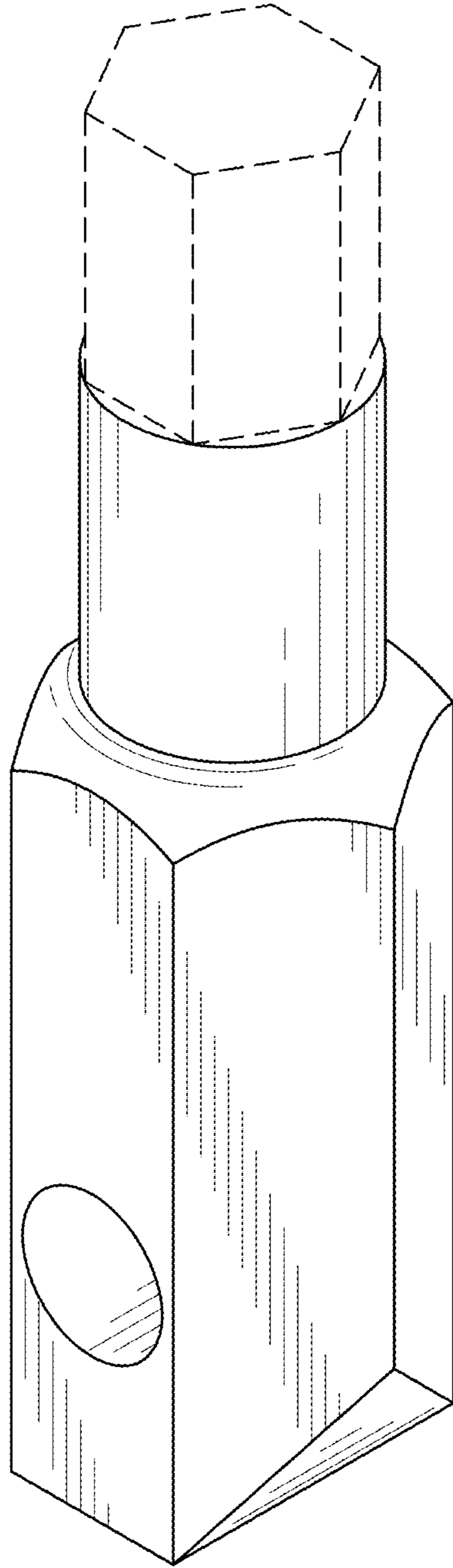


FIG.1

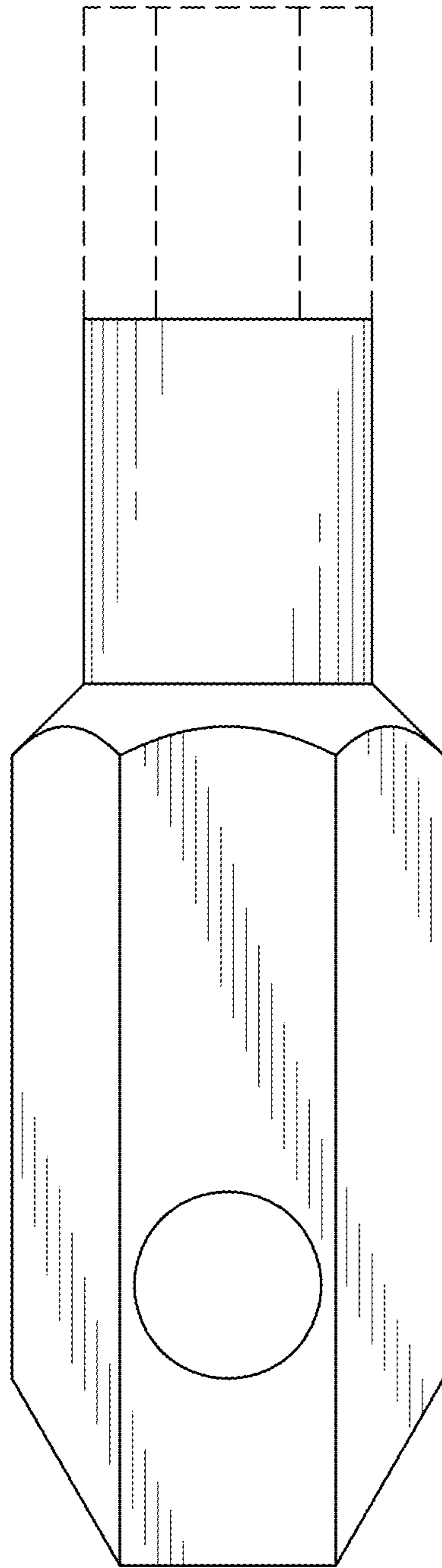


FIG.2

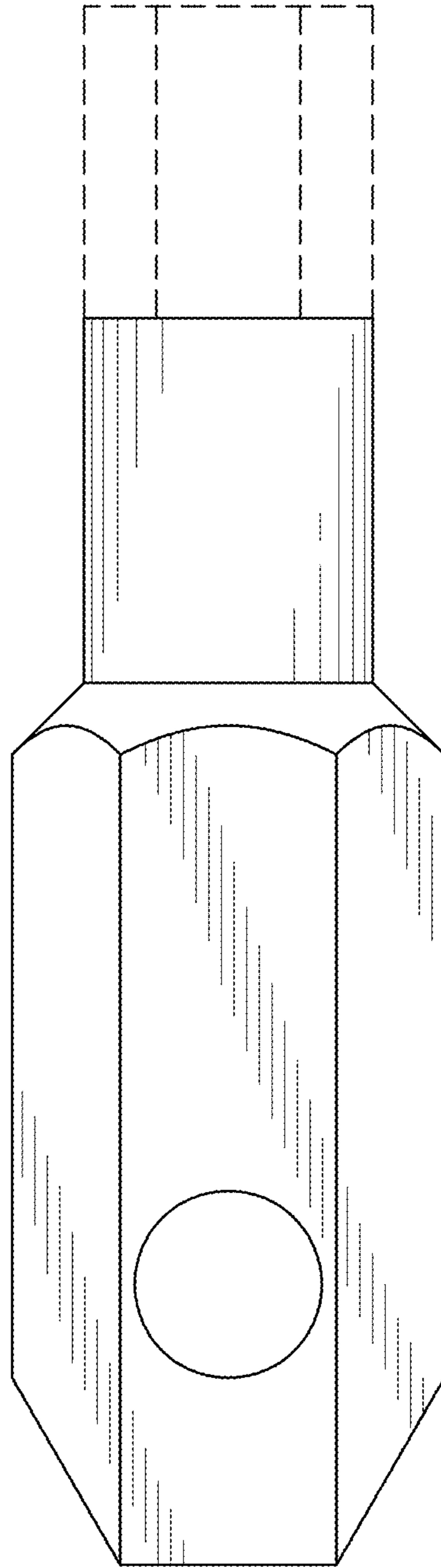


FIG.3

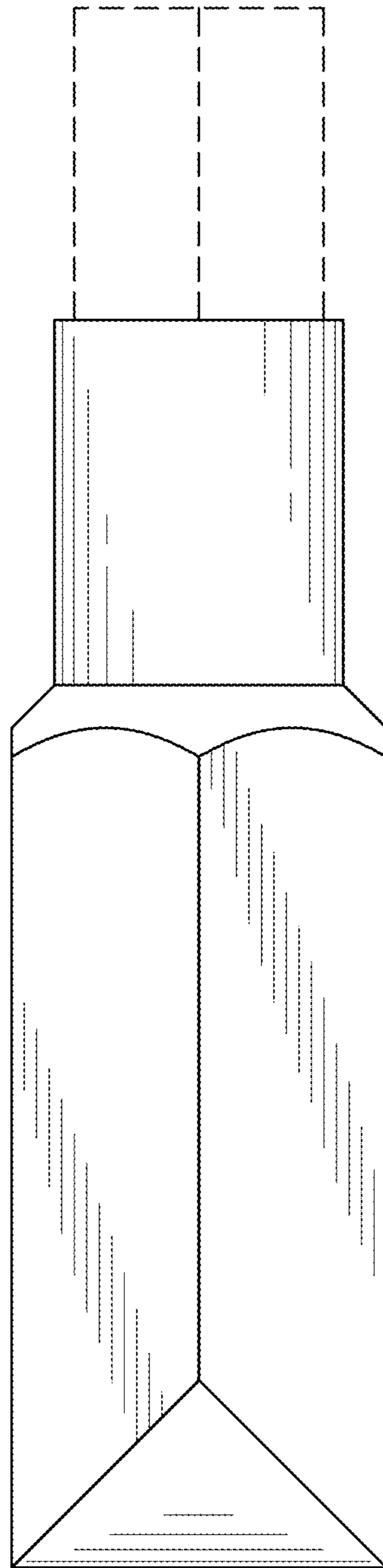


FIG.4

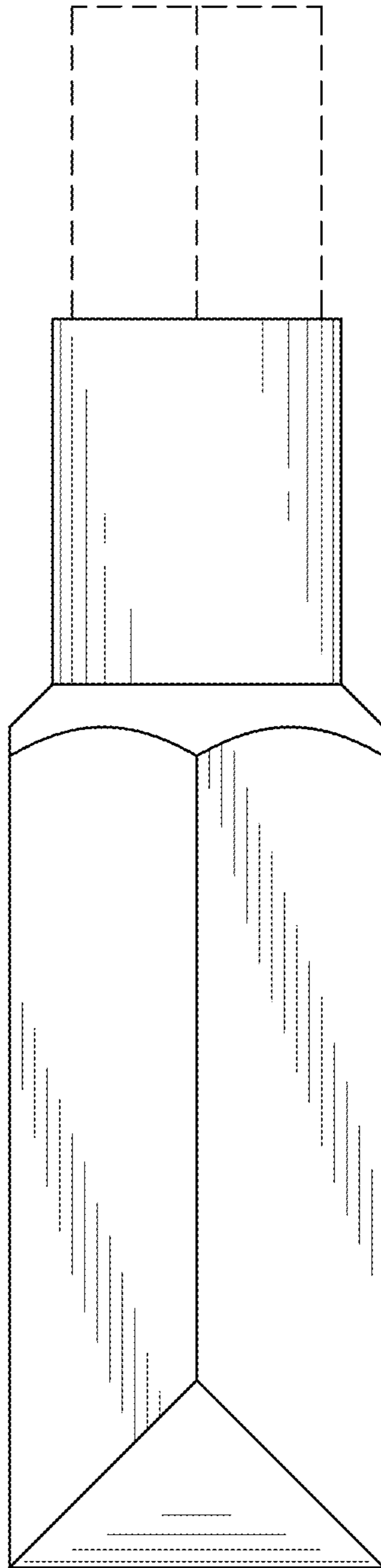


FIG.5

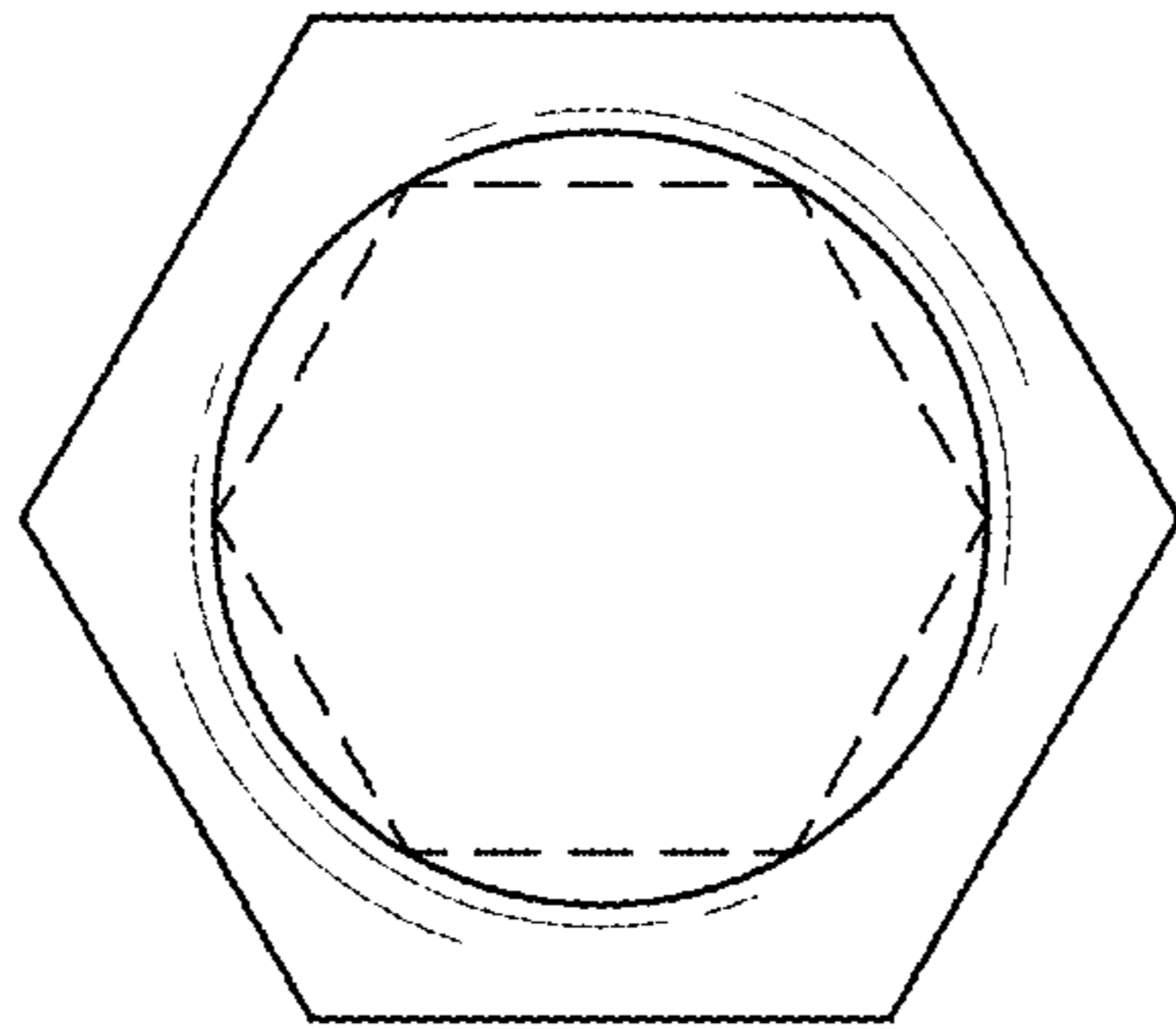


FIG. 6

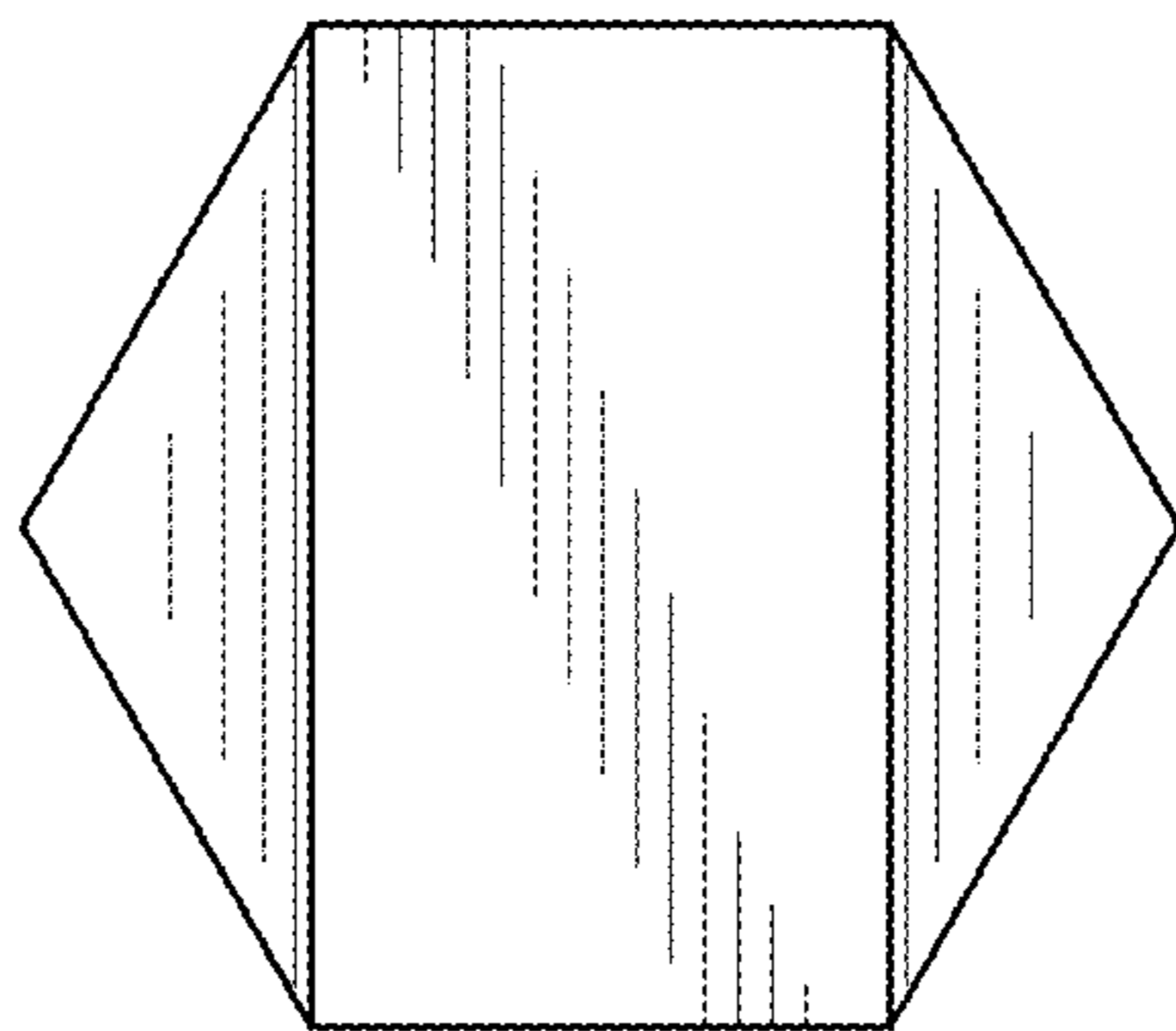


FIG. 7