



US00D772672S

(12) **United States Design Patent** (10) **Patent No.:** **US D772,672 S**
Bahena et al. (45) **Date of Patent:** **** Nov. 29, 2016**

(54) **HAMMER**

(71) Applicants: **Aurelio Bahena**, Fullerton, CA (US);
Lytton Williams, Dana Point, CA (US)

(72) Inventors: **Aurelio Bahena**, Fullerton, CA (US);
Lytton Williams, Dana Point, CA (US)

(**) Term: **15 Years**

(21) Appl. No.: **29/532,502**

(22) Filed: **Jul. 7, 2015**

(51) **LOC (10) Cl.** **08-02**

(52) **U.S. Cl.**
USPC **D8/77**

(58) **Field of Classification Search**
USPC D8/75, 76, 77, 78, 79, 80, 81, 14, 105
CPC B25D 1/00; B25D 1/005; B25D 1/04;
B25D 1/06; B25D 1/14
See application file for complete search history.

(56) **References Cited**

U.S. PATENT DOCUMENTS

D43,877 S *	4/1913	Laws	81/25
3,128,131 A *	4/1964	Bianchini	B25G 3/28 403/248
D264,931 S *	6/1982	Jones	D8/77
5,056,381 A *	10/1991	Carmein	B25G 3/34 16/422
D477,517 S *	7/2003	Siemers	D8/77
D620,339 S *	7/2010	Pennington	D8/107

* cited by examiner

Primary Examiner — Phillip S Hyder

(74) *Attorney, Agent, or Firm* — Grant's Law Firm; Allan Grant

(57) **CLAIM**

The ornamental design for a hammer, as shown and description.

DESCRIPTION

FIG. 1 is a isometric front view of the hammer showing one face of the hammer.

FIG. 2 is a isometric back view of the hammer showing another face of the hammer.

FIG. 3 is a side view of the hammer.

FIG. 4 is the other side view of the hammer.

FIG. 5 is the front view of the hammer showing one face of the hammer.

FIG. 6 is a back view of the hammer showing another face of the hammer.

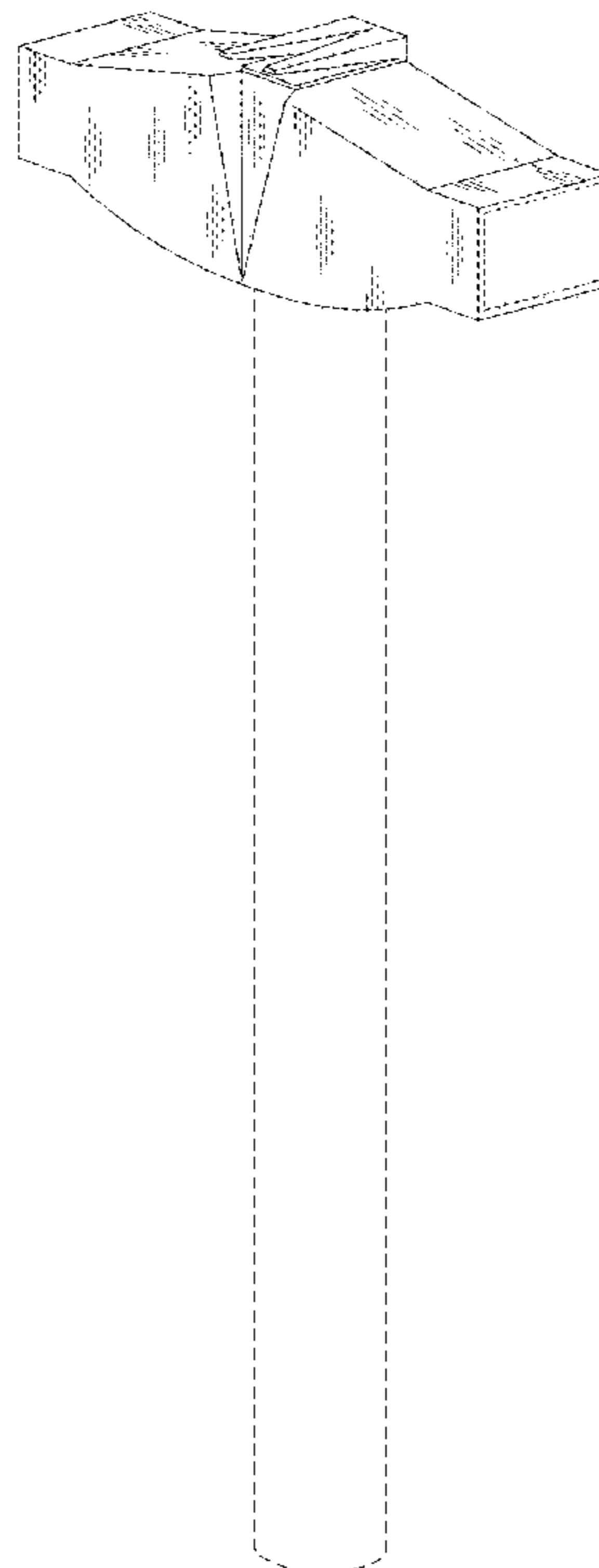
FIG. 7 is a top view of the hammer.

FIG. 8 is bottom view of the hammer; and,

FIG. 9 is a isometric front view of the hammer showing a nail attached to the magnetic face of the hammer.

The broken line showing of the nail in FIG. 9 is provided for environmental purposes and forms no part of the claimed design. The handle and the front face are shown in broken line form because they depict unclaimed portions of the hammer.

1 Claim, 4 Drawing Sheets



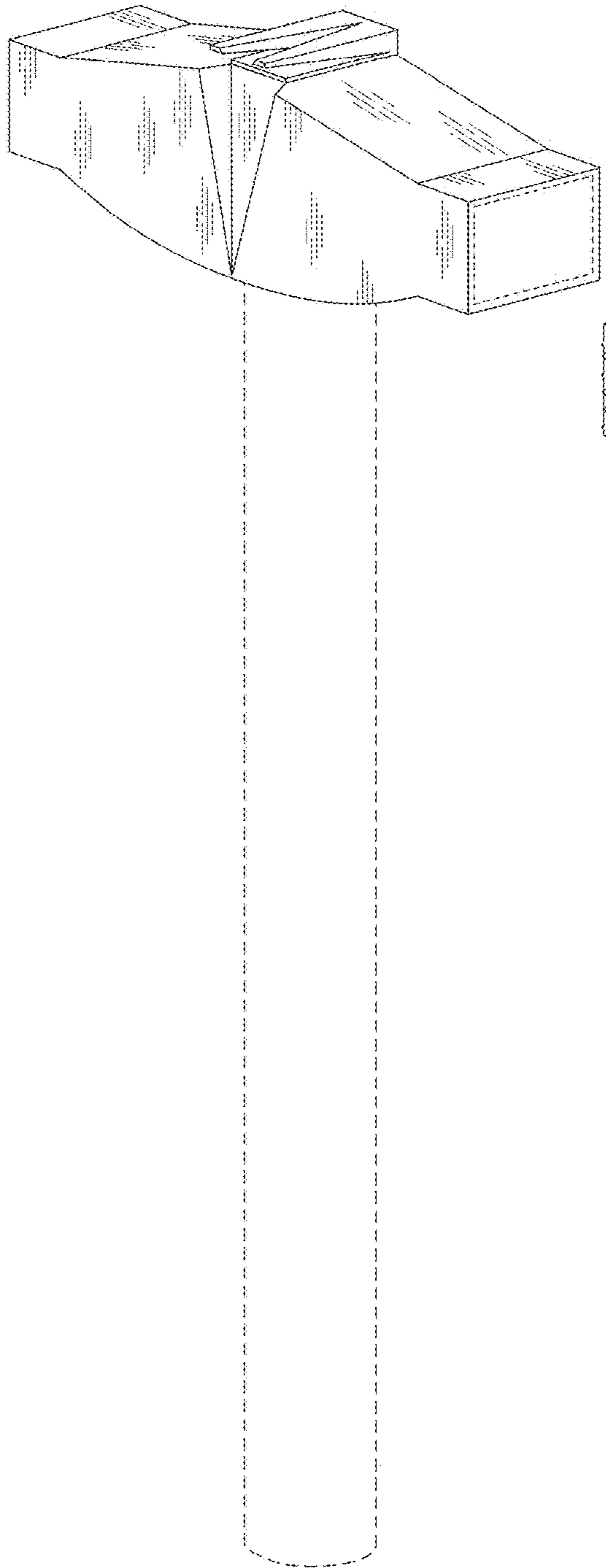


Fig. 1

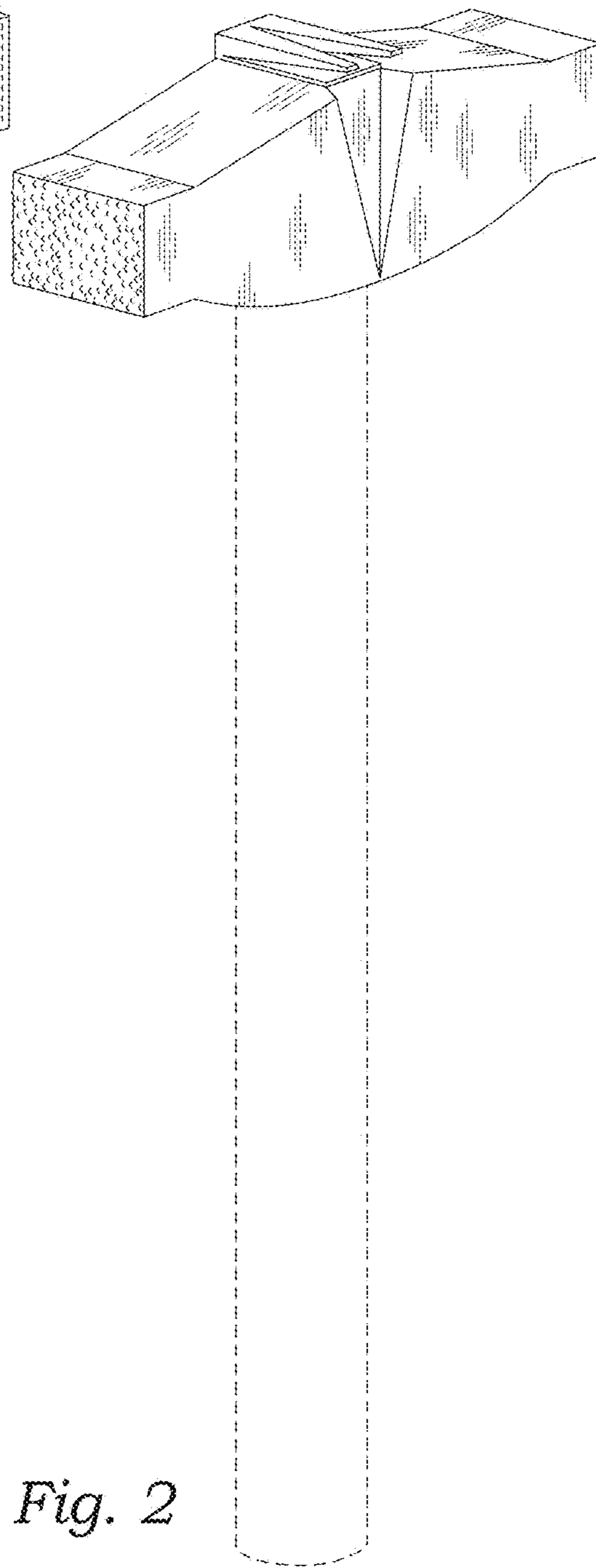


Fig. 2

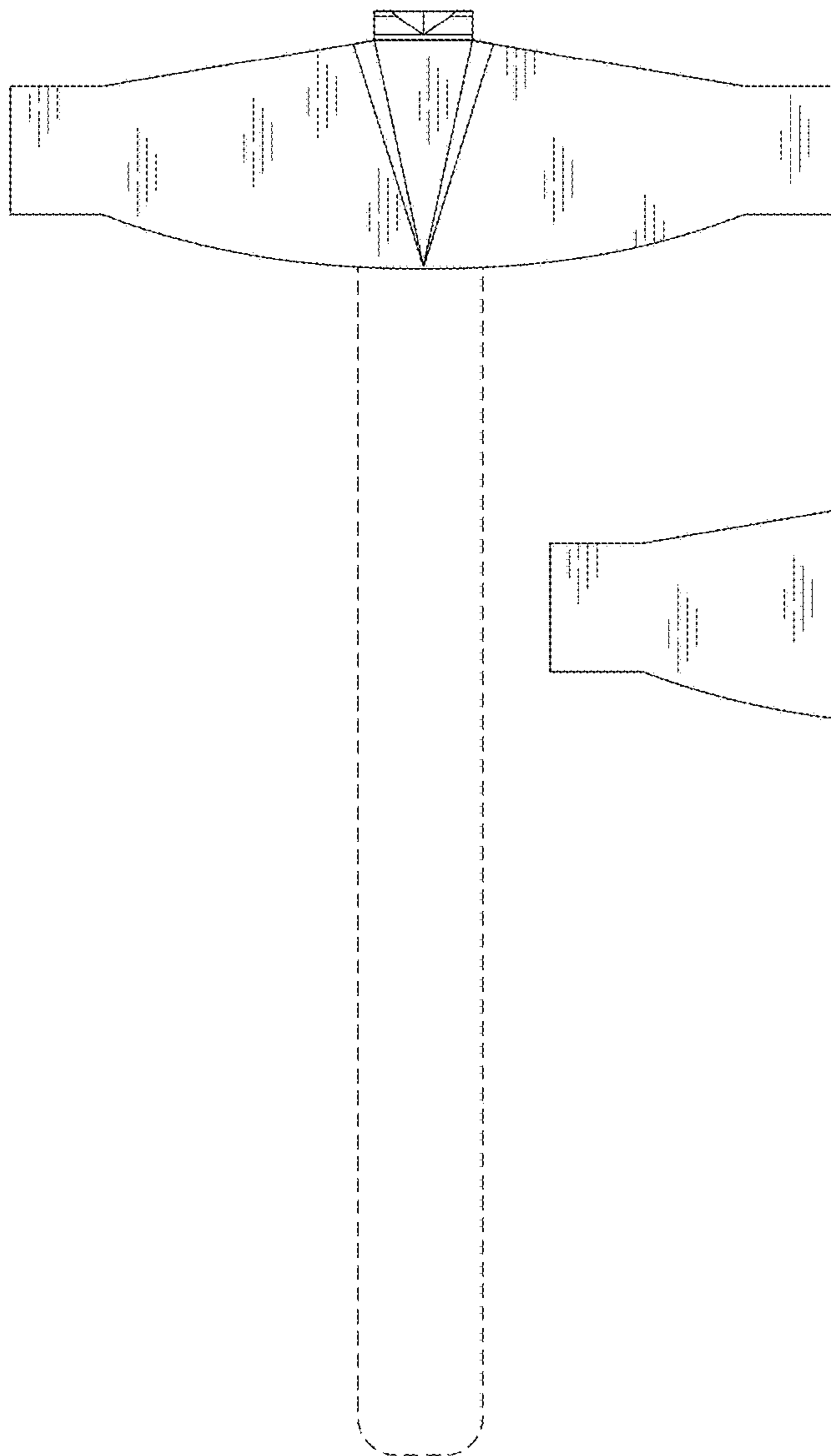


Fig. 3

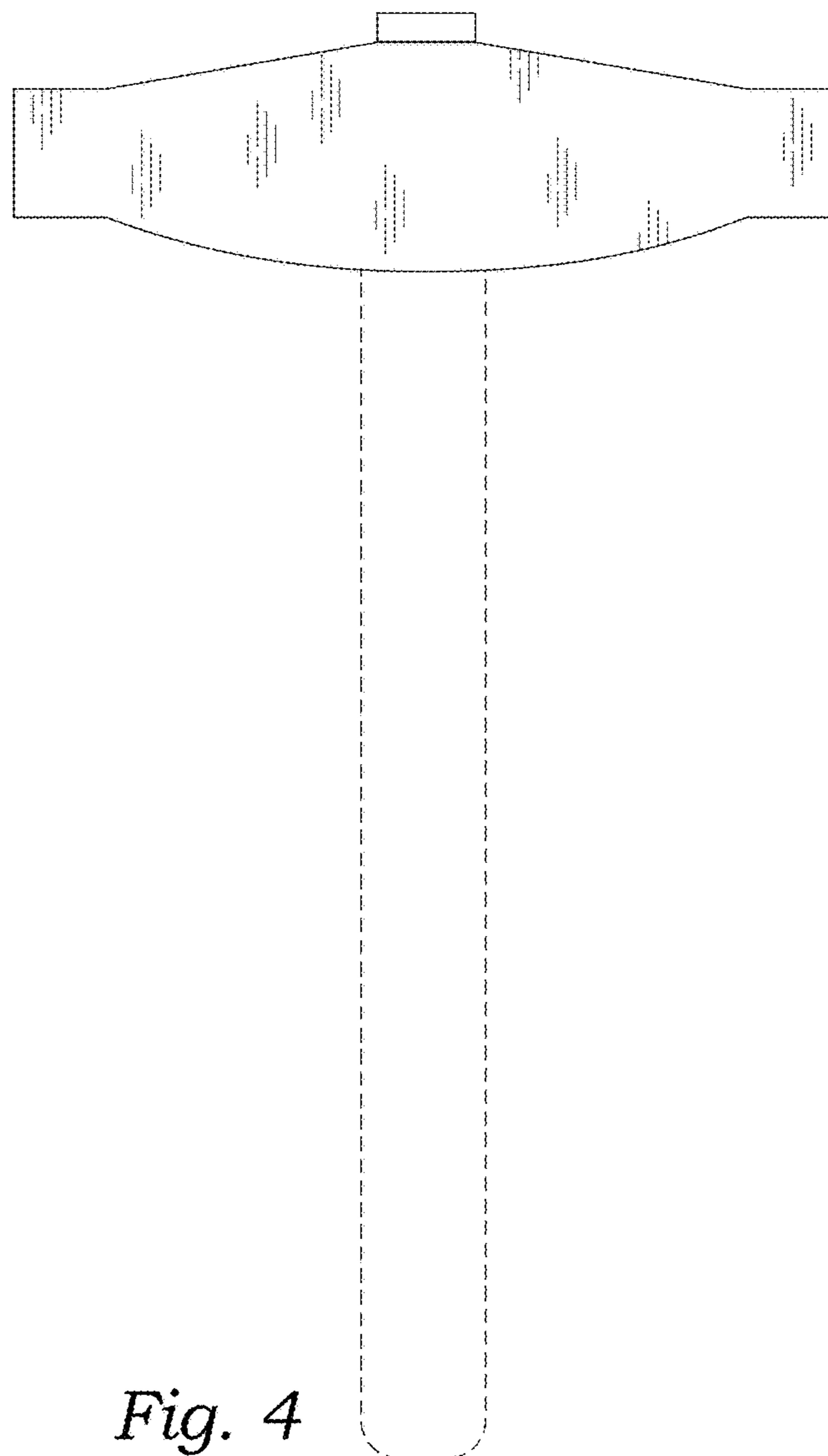


Fig. 4

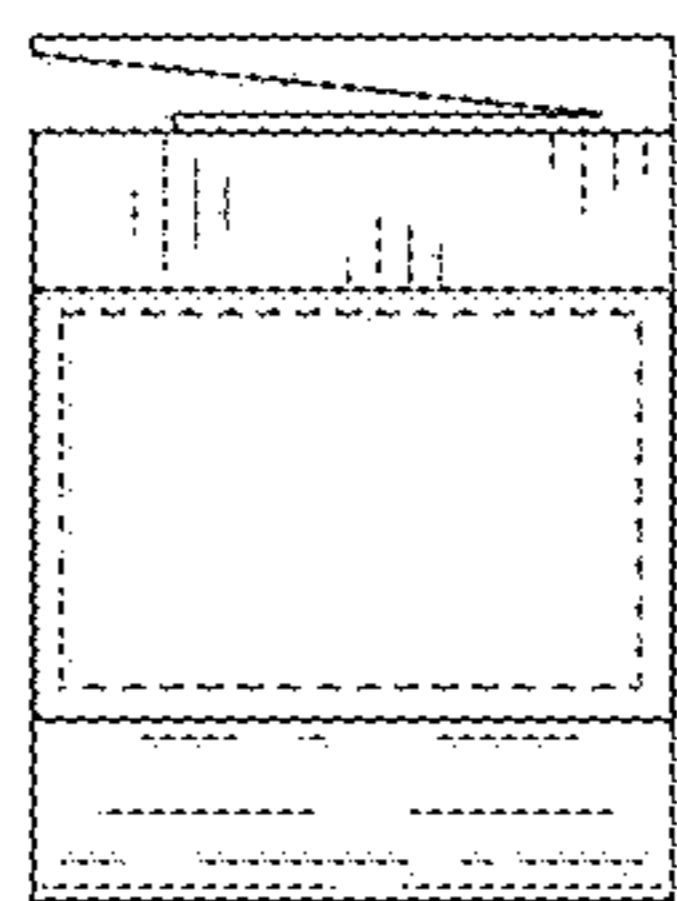


Fig. 5

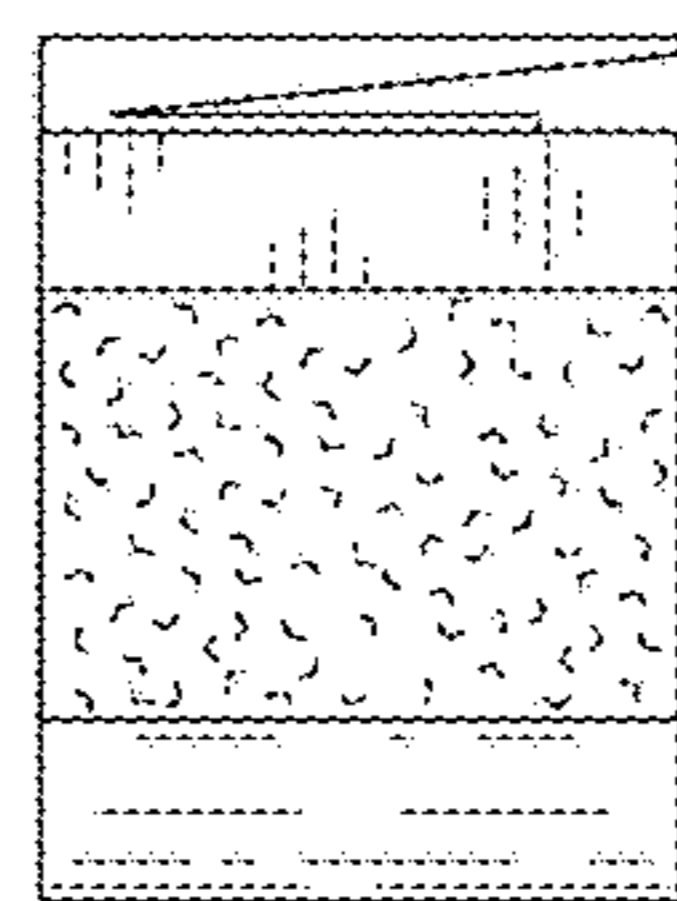


Fig. 6

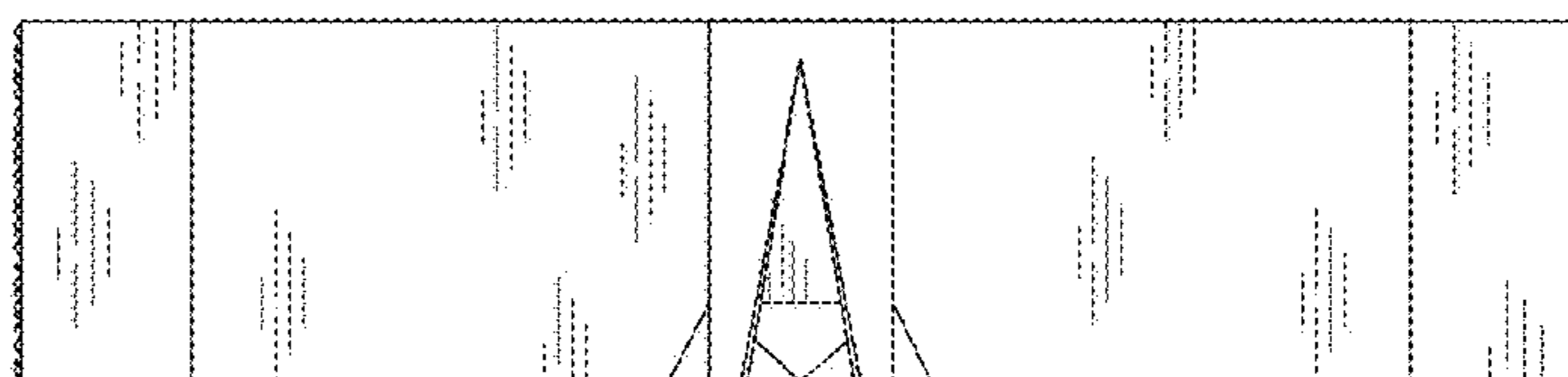


Fig. 7

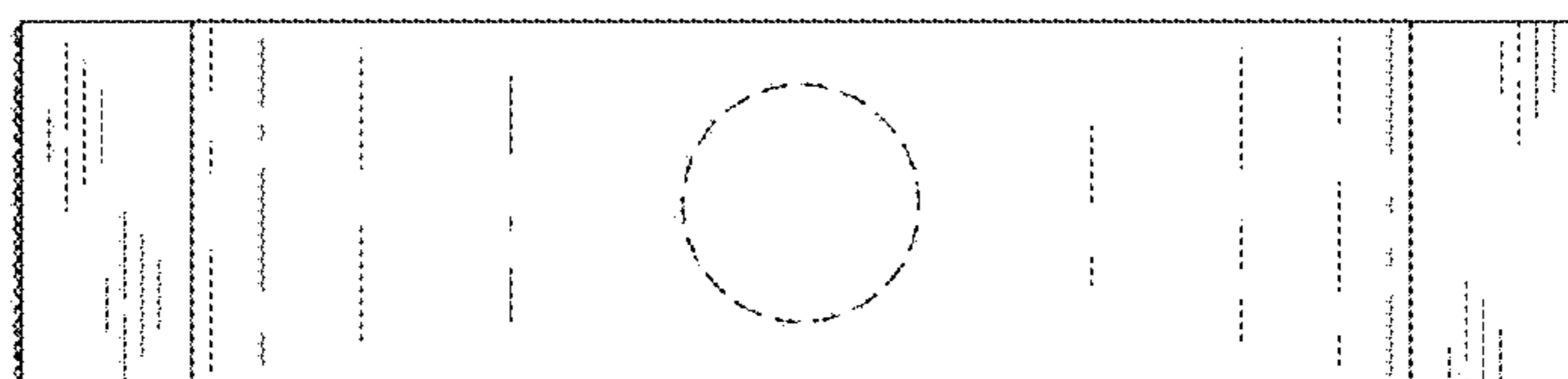


Fig. 8

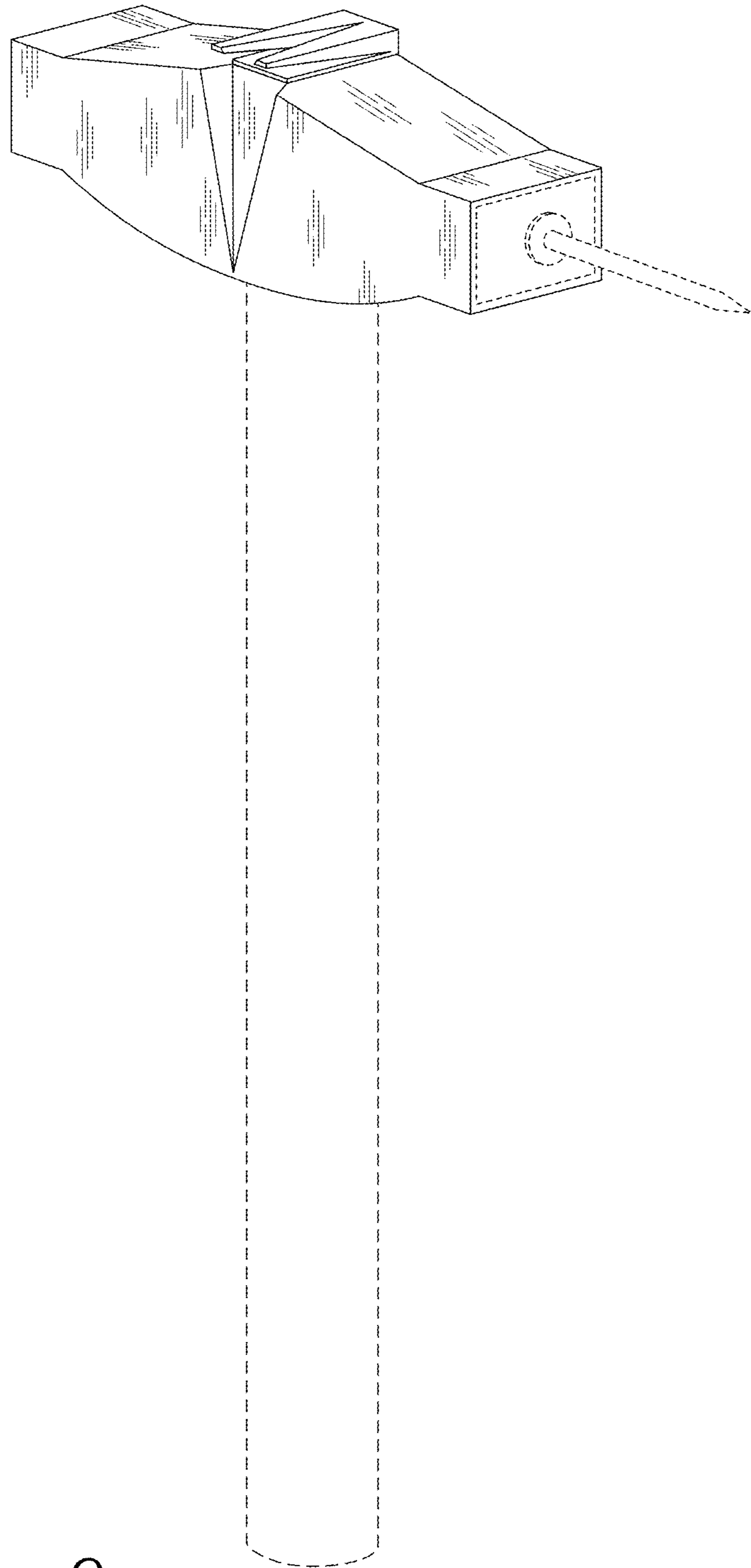


Fig. 9