



US00D772665S

(12) **United States Design Patent**  
**Khubani**

(10) **Patent No.:** **US D772,665 S**

(45) **Date of Patent:** **\*\* Nov. 29, 2016**

(54) **CAN OPENER**

(71) Applicant: **Telebrands Corp.**, Fairfield, NJ (US)

(72) Inventor: **Ajit Khubani**, Saddle River, NJ (US)

(73) Assignee: **Telebrands Corp.**, Fairfield, NJ (US)

(\*\*) Term: **14 Years**

(21) Appl. No.: **29/526,594**

(22) Filed: **May 11, 2015**

(51) **LOC (10) Cl.** ..... **07-99**

(52) **U.S. Cl.**  
USPC ..... **D8/41**

(58) **Field of Classification Search**  
USPC ..... D8/16, 18, 19, 33-43, 98, 100  
CPC ..... B67B 7/00; B67B 7/14; B67B 7/16;  
B67B 7/18; B67B 7/20; B67B 7/24; B67B  
7/44; B67B 3/00  
See application file for complete search history.

(56) **References Cited**

**U.S. PATENT DOCUMENTS**

D29,798 S *	12/1898	Williamson	81/3.55
D114,629 S *	5/1939	Baker	7/160
2,592,936 A	4/1952	McLean	
4,365,417 A	12/1982	Rosendahl	
D297,705 S *	9/1988	Difede	D8/40
D387,645 S *	12/1997	Kazimir	D8/33
D422,861 S *	4/2000	Hollinger	D8/41
D468,986 S *	1/2003	Kan	D11/79
D481,608 S *	11/2003	DiPalma	D8/98
7,240,589 B2 *	7/2007	Kehoe	B67B 7/16 81/3.09
D555,448 S *	11/2007	Sanders	D8/41
D555,998 S	11/2007	Mah et al.	
D572,098 S *	7/2008	Hui	D8/41
7,398,714 B1 *	7/2008	Mah	B67B 7/182 81/3.07
7,437,825 B2	10/2008	Sanders et al.	
D594,301 S	6/2009	Mah et al.	
D594,303 S	6/2009	Mah et al.	

7,574,808 B2	8/2009	Mah et al.	
7,596,874 B2	10/2009	Mah et al.	
D624,377 S *	9/2010	Mah	D8/40
D643,268 S	8/2011	Mah et al.	
8,539,682 B2	9/2013	Mah et al.	
8,955,227 B2 *	2/2015	Lee	B67B 7/385 30/416
D734,647 S *	7/2015	Kalogroulis	D8/41
2006/0207390 A1 *	9/2006	Kehoe	B67B 7/16 81/3.09
2014/0101946 A1	4/2014	Mah et al.	

**FOREIGN PATENT DOCUMENTS**

WO PCT/GB2014/000243 12/2014

**OTHER PUBLICATIONS**

Viatek Consumer Products Smart Touch Automatic Can Opener, available at <https://11main.com/czone/smart-touch-automatic-can-opener>, accessed on Apr. 15, 2015.

One Touch Products—Automatic Can Opener (the Classic), available at [www.onetouchproducts.com/canopener.htm](http://www.onetouchproducts.com/canopener.htm), accessed on Jan. 21, 2015.

\* cited by examiner

*Primary Examiner* — Elizabeth Albert

(74) *Attorney, Agent, or Firm* — Cooper & Dunham, LLP

(57) **CLAIM**

The ornamental design for a can opener, as shown and described.

**DESCRIPTION**

FIG. 1 is a top perspective view of a can opener in accordance with the present design;  
FIG. 2 is a front view thereof;  
FIG. 3 is a back view thereof;  
FIG. 4 is a left side view thereof;  
FIG. 5 is a right side view thereof;  
FIG. 6 is a top view thereof; and,  
FIG. 7 is a bottom view thereof.

**1 Claim, 5 Drawing Sheets**

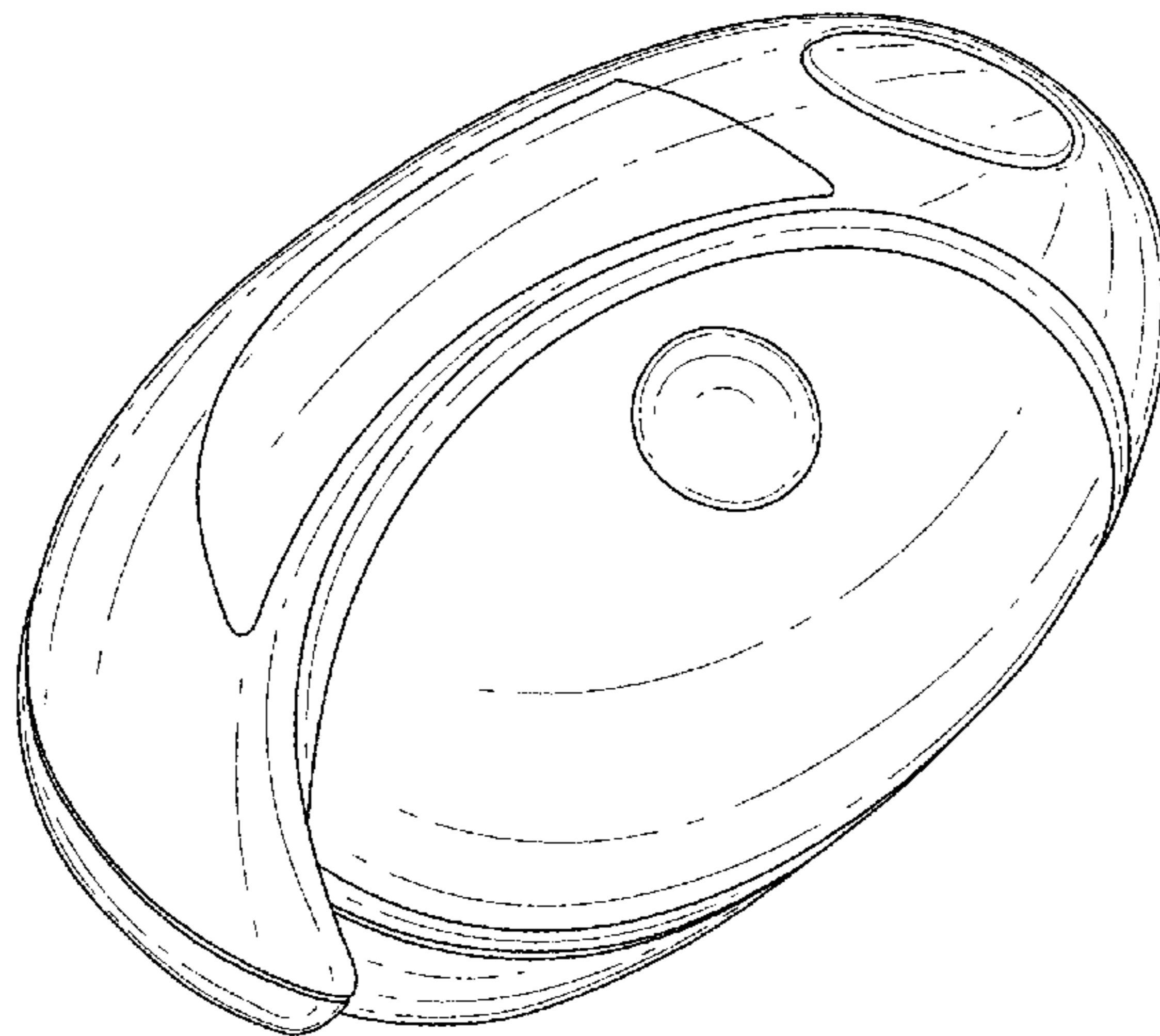
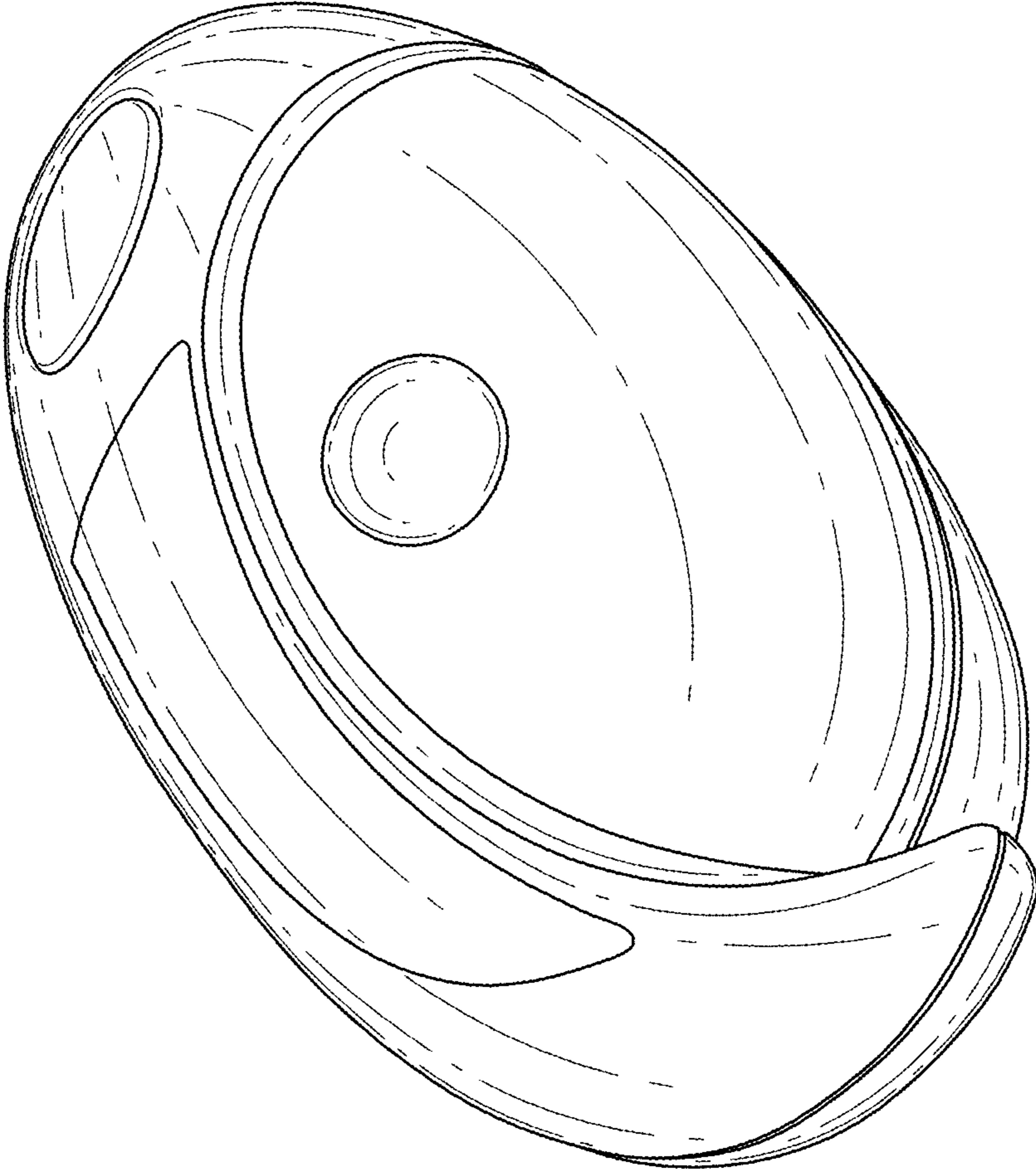
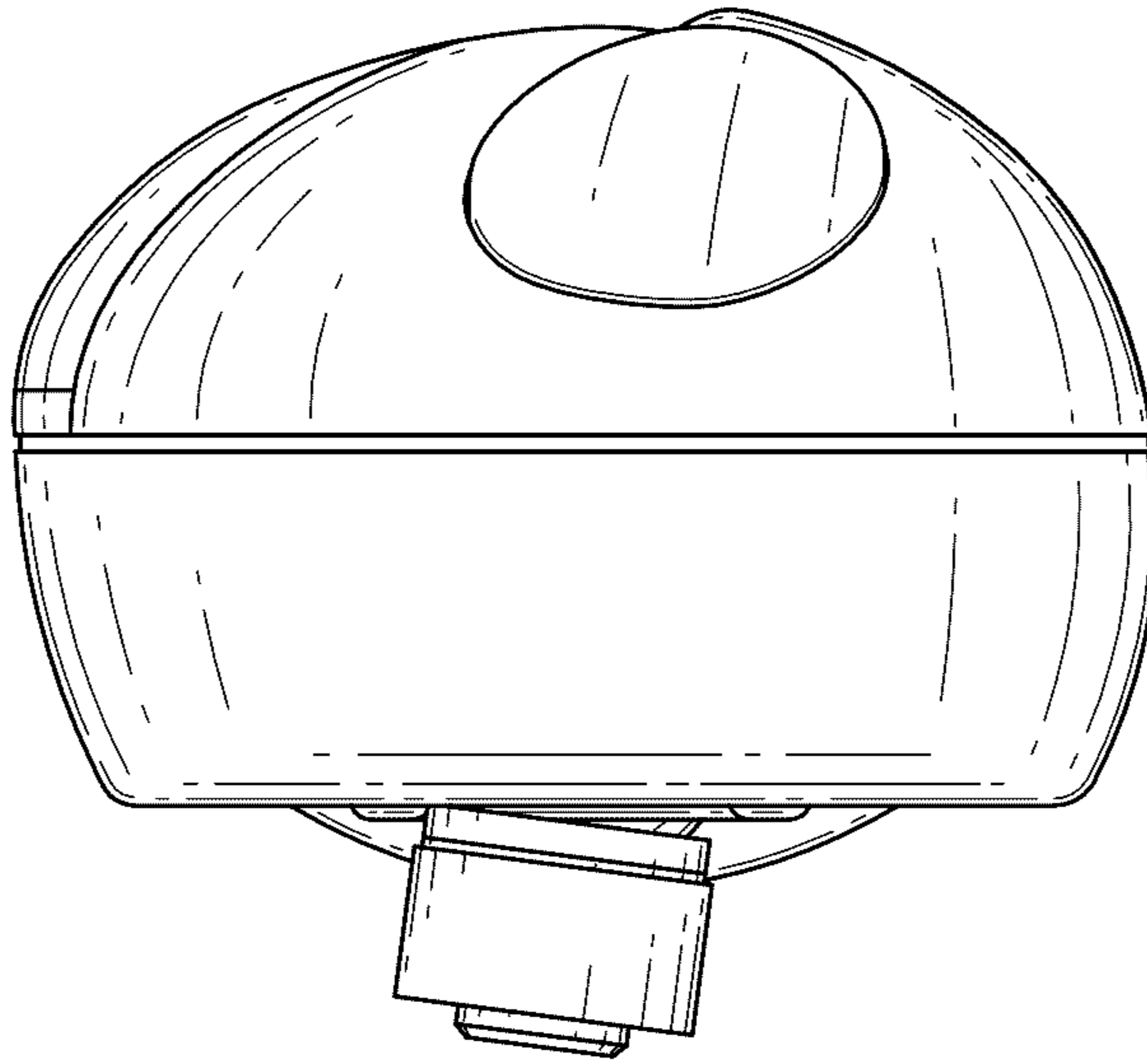


FIG. 1



*FIG. 2*



*FIG. 3*

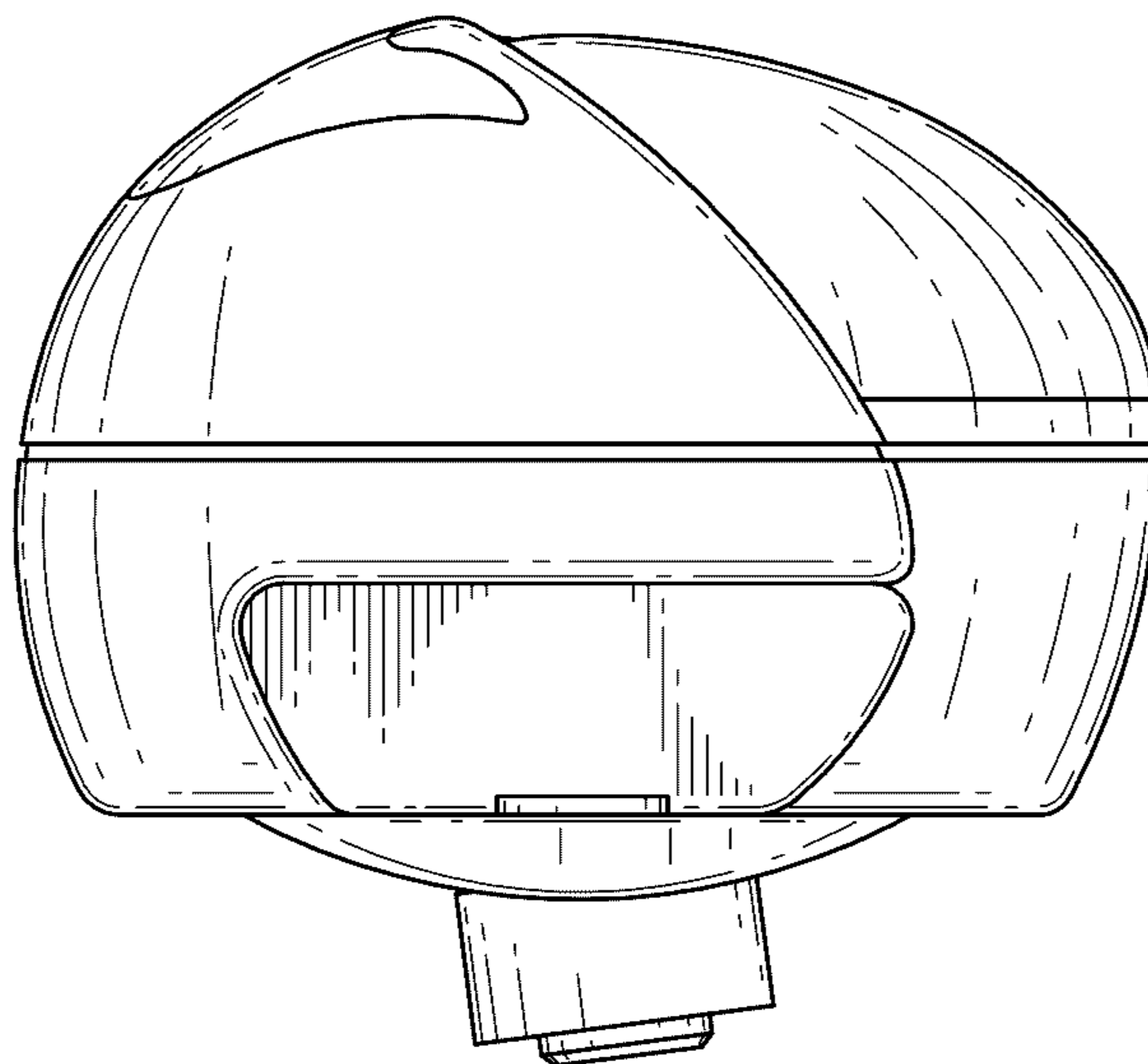


FIG. 4

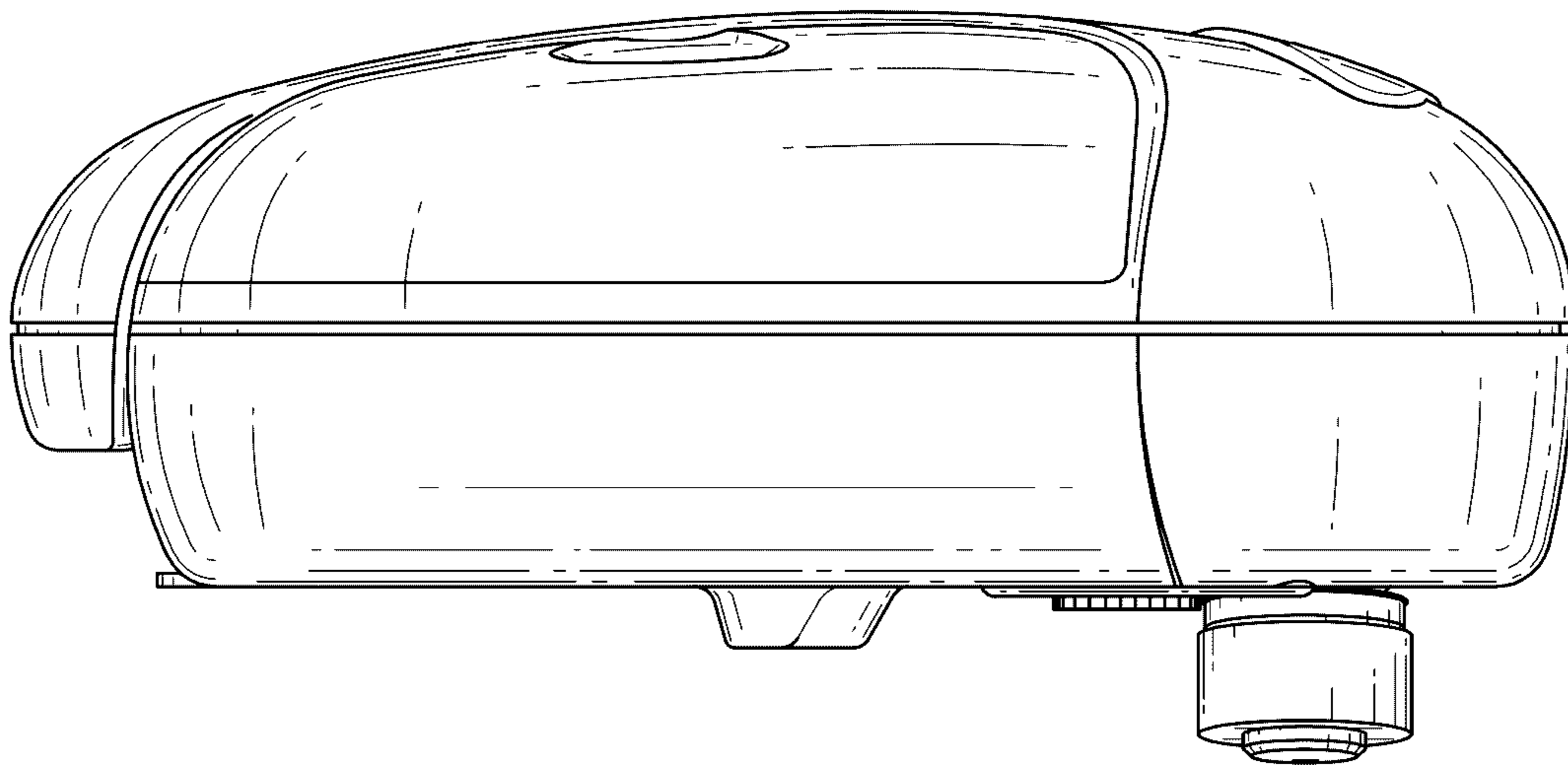


FIG. 5

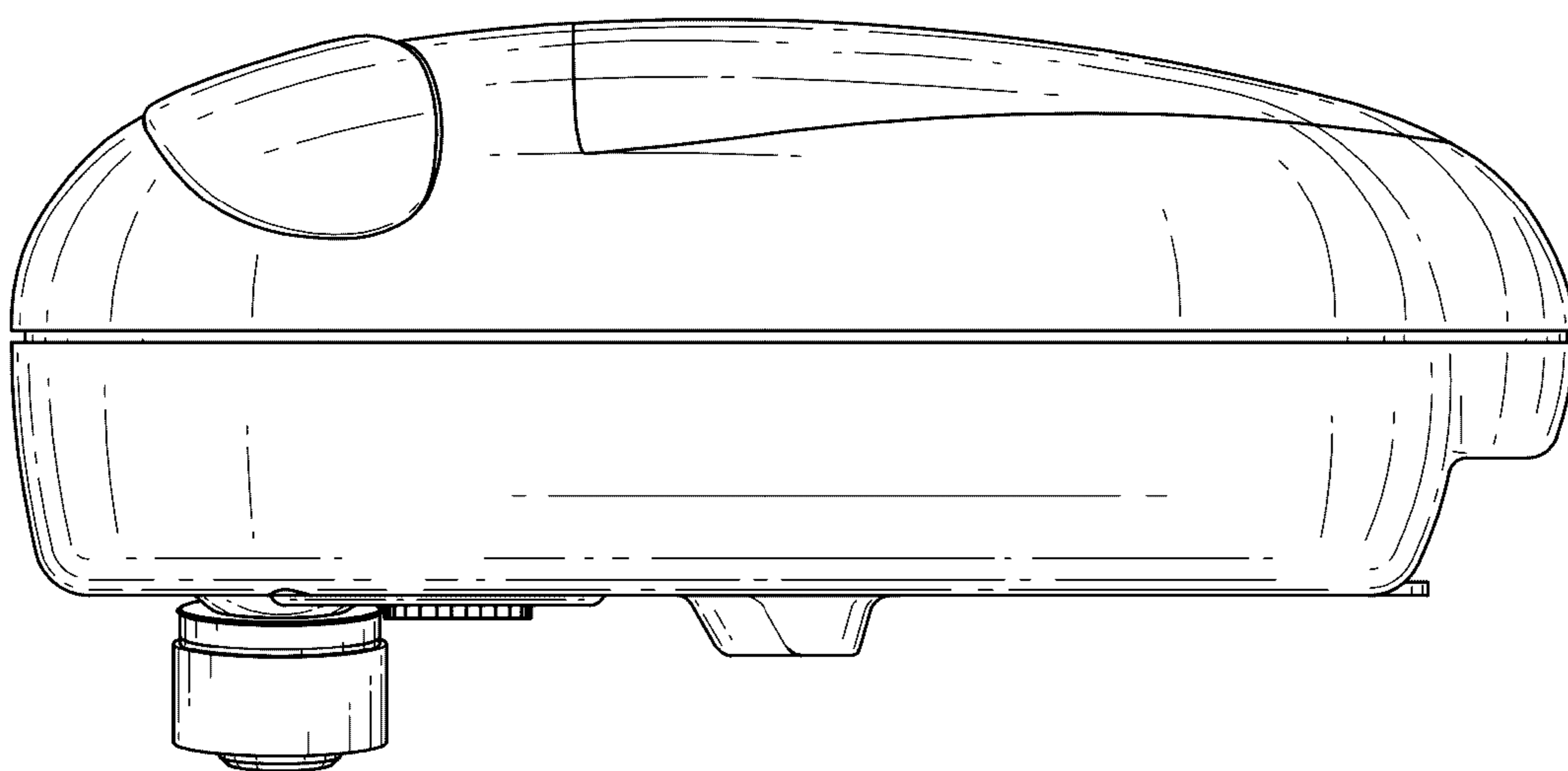


FIG. 6

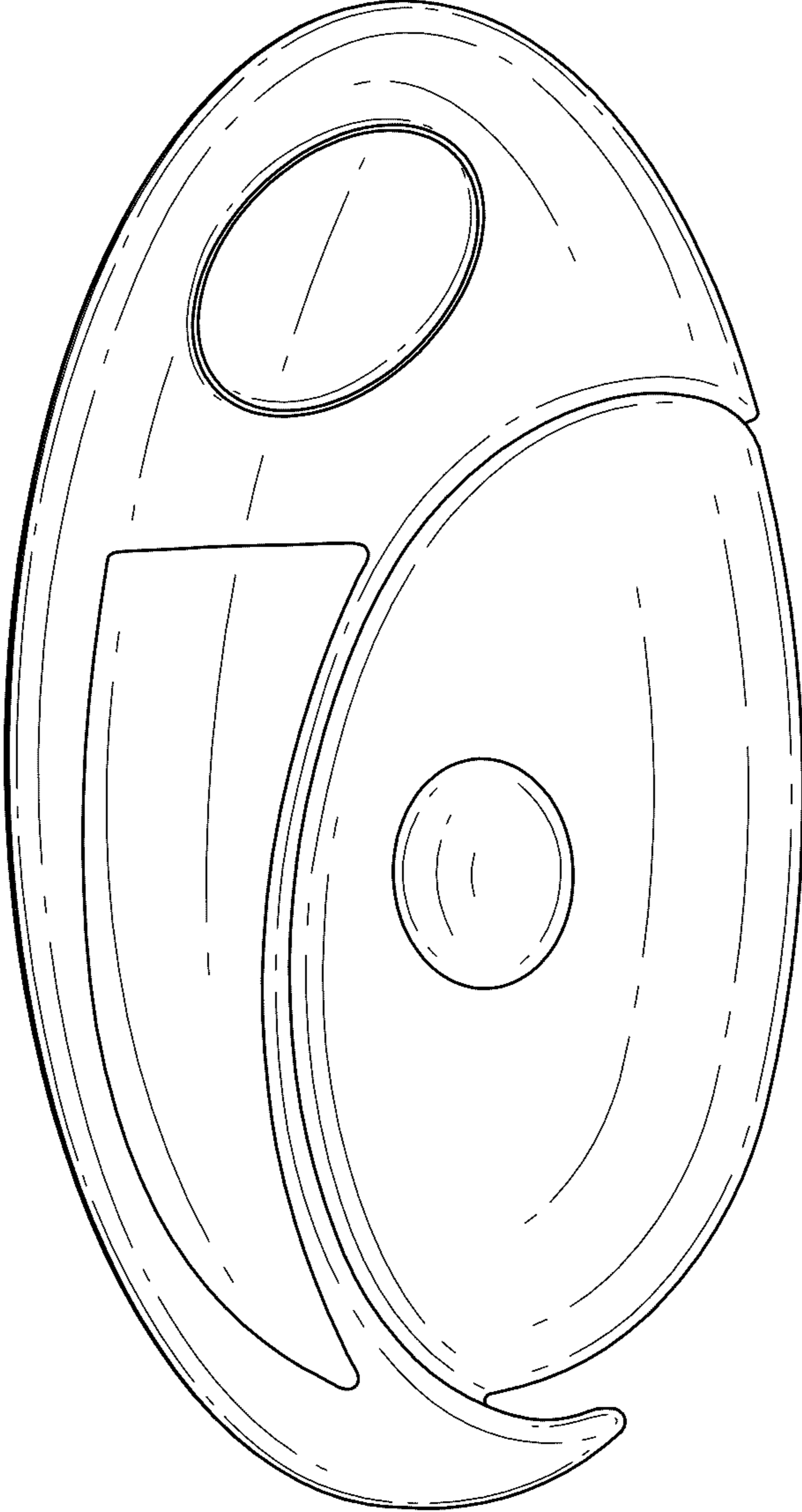


FIG. 7

