

US00D772664S

(12) **United States Design Patent** (10) **Patent No.:** **US D772,664 S**
Sakmar, III (45) **Date of Patent:** **** Nov. 29, 2016**

- (54) **HAND TOOL HANDLE**
- (71) Applicant: **Hubbell Incorporated**, Shelton, CT (US)
- (72) Inventor: **John Edward Sakmar, III**, Birmingham, AL (US)
- (73) Assignee: **Hubbell Incorporated**, Shelton, CT (US)
- (**) Term: **14 Years**
- (21) Appl. No.: **29/521,080**
- (22) Filed: **Mar. 19, 2015**
- (51) **LOC (10) Cl.** **08-05**
- (52) **U.S. Cl.**
USPC **D8/28**
- (58) **Field of Classification Search**
USPC D8/21-29; 81/60, 177.1, 177.85, 121.1, 81/124.3, 165-170, 110.1, 176.2, 124.6, 81/176.1, 176.15, 177.2, 186, 125, 119, 81/180.1, 185.02; 16/110.1; D15/144.1; 219/75, 227, 229, 121.16, 121.18
CPC B25B 13/463; B25B 13/04; B25B 13/46; B25B 13/461
See application file for complete search history.

D485,144 S *	1/2004	Levine	D8/21
D492,556 S *	7/2004	Barry	D8/25
D607,289 S *	1/2010	Lambert	D8/28
D634,601 S *	3/2011	Good	D8/107
D704,522 S *	5/2014	Chen	D8/27

FOREIGN PATENT DOCUMENTS

CA 2112279 A1 4/1995

* cited by examiner

Primary Examiner — Randall Gholson

(74) *Attorney, Agent, or Firm* — Dilworth IP, LLC

(57) **CLAIM**

The ornamental design for a hand tool handle, as shown and described.

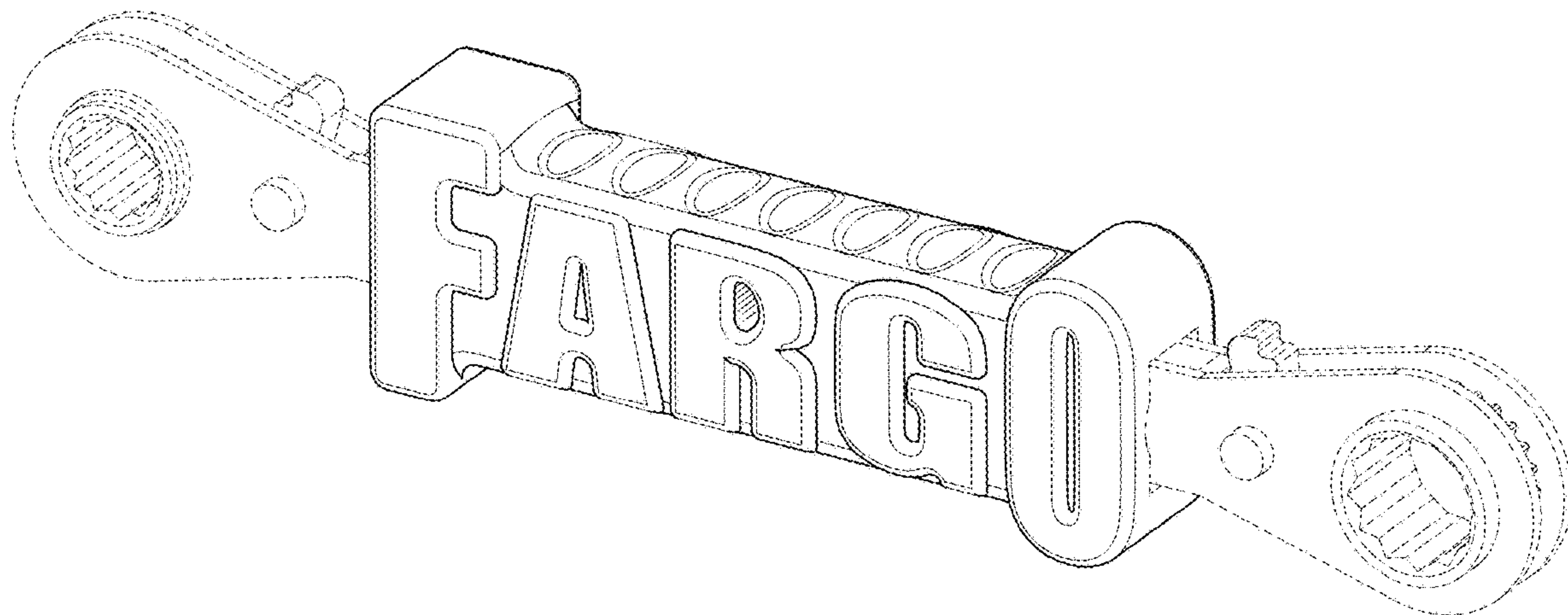
DESCRIPTION

FIG. 1 is a first side perspective view of the new design for a hand tool handle in accordance with the present invention; FIG. 2 is a side elevation view of the first side of the hand tool handle shown in FIG. 1; FIG. 3 is a bottom plan view of the hand tool handle shown in FIG. 1; FIG. 4 is a second side elevation view of the second side of the hand tool handle shown in FIG. 1; FIG. 5 is a top plan view of the hand tool handle shown in FIG. 1; FIG. 6 is a front end view of the hand tool handle shown in FIG. 1; and, FIG. 7 is a rear end view of the hand tool handle shown in FIG. 1.

The broken lines depict portions of the hand tool handle that form no part of the claimed design.

1 Claim, 4 Drawing Sheets

- (56) **References Cited**
U.S. PATENT DOCUMENTS
D299,206 S * 1/1989 Krapowicz D8/28
5,062,328 A 11/1991 Demurger
5,713,251 A 2/1998 Zurbuchen et al.
5,875,693 A 3/1999 Zurbuchen et al.



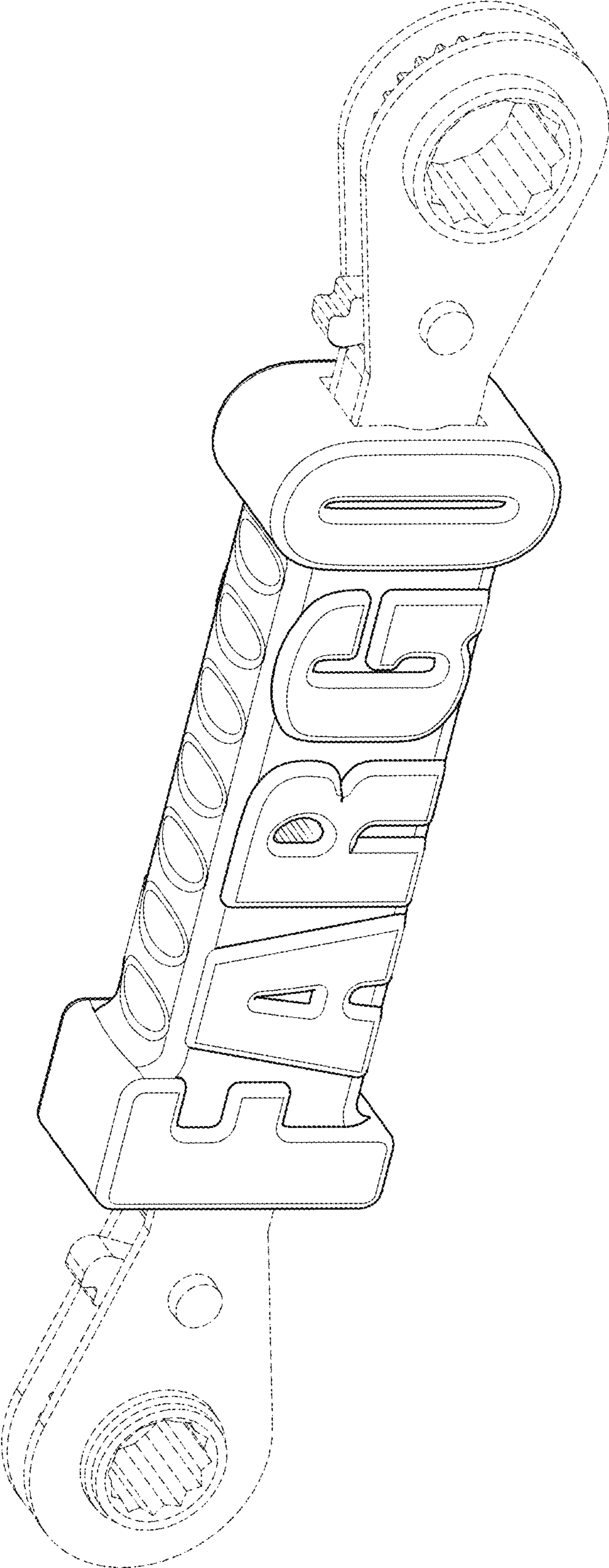


FIG. 1

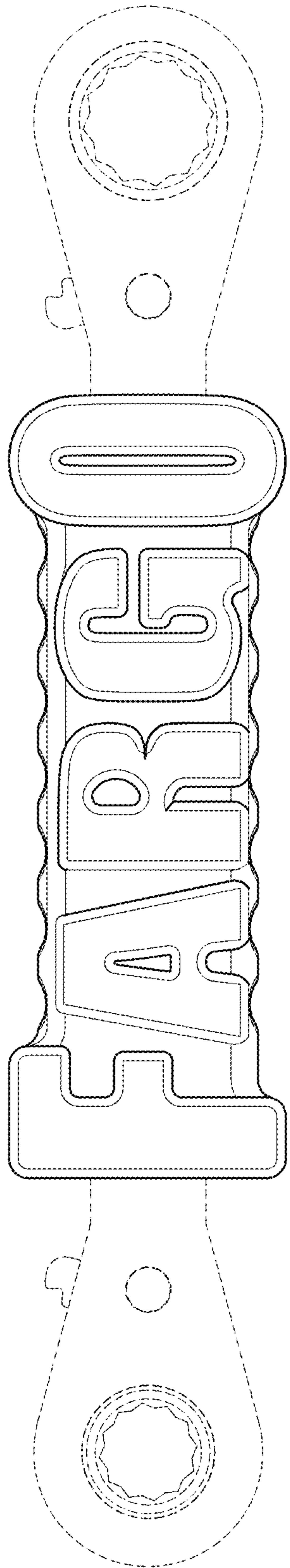


FIG. 2

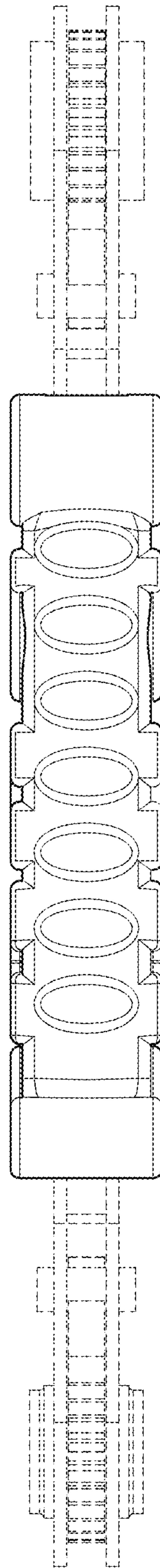


FIG. 3

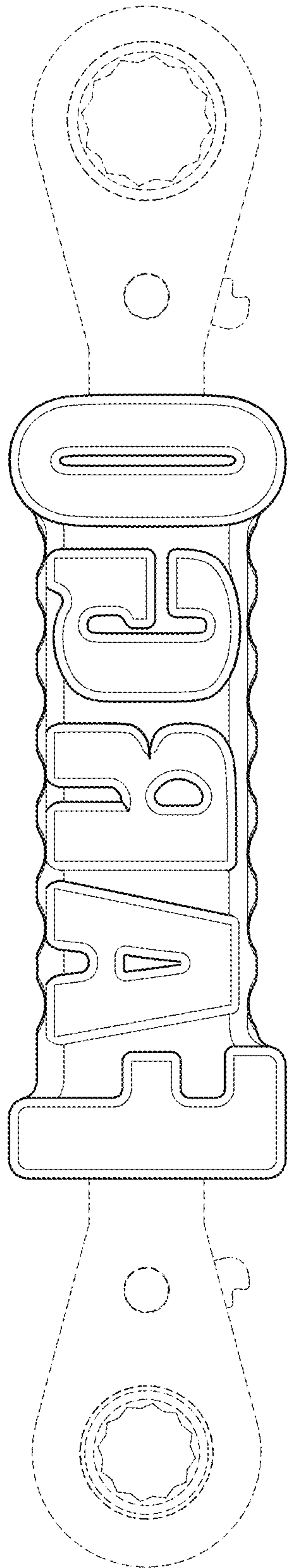


FIG. 4

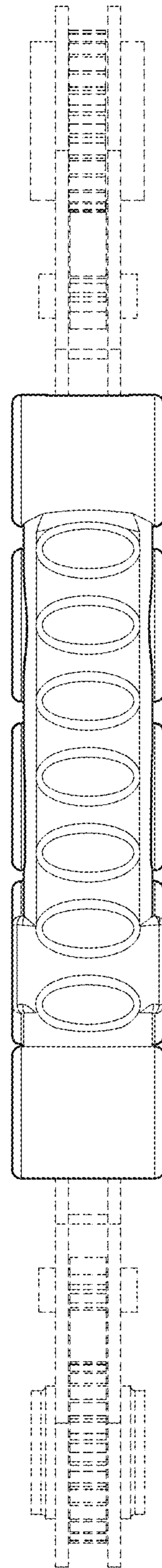


FIG. 5

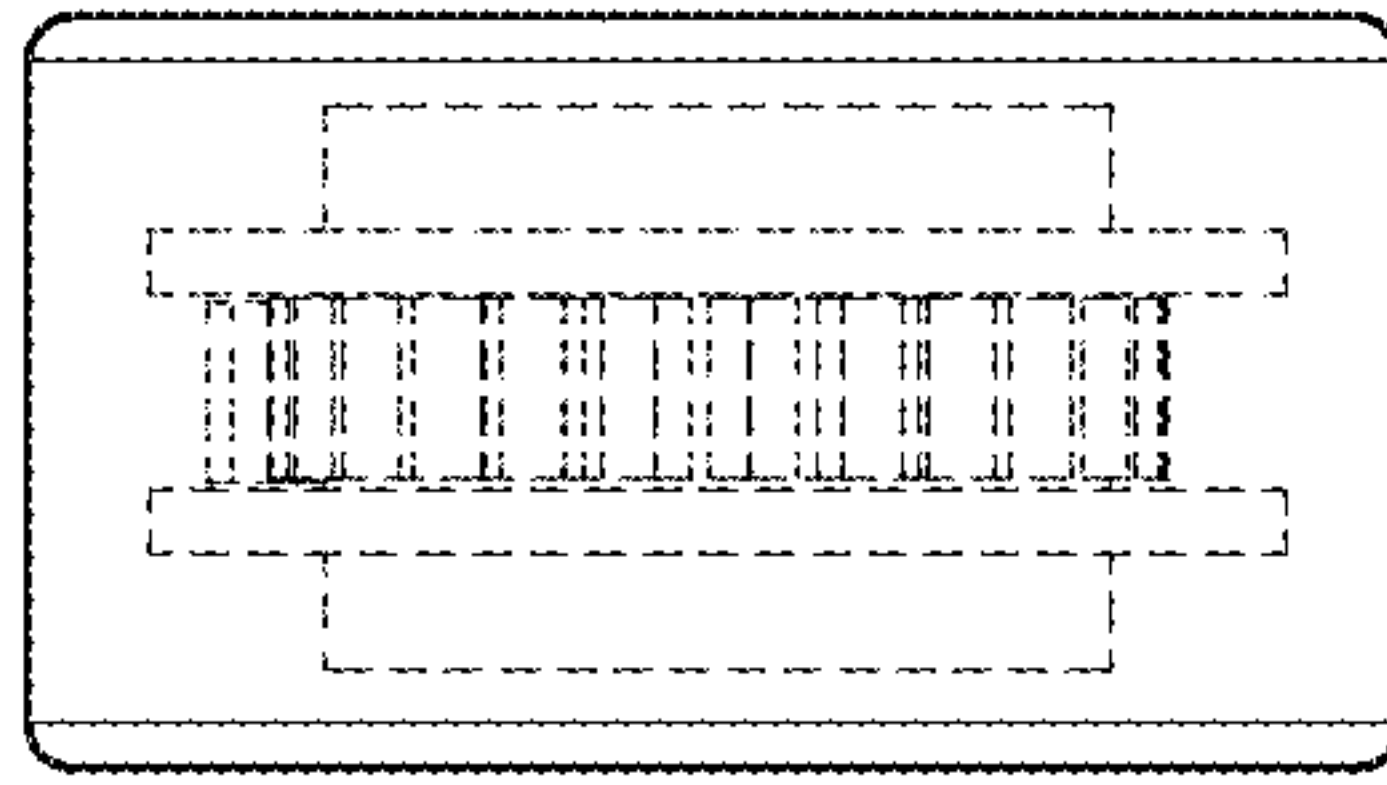


FIG. 7

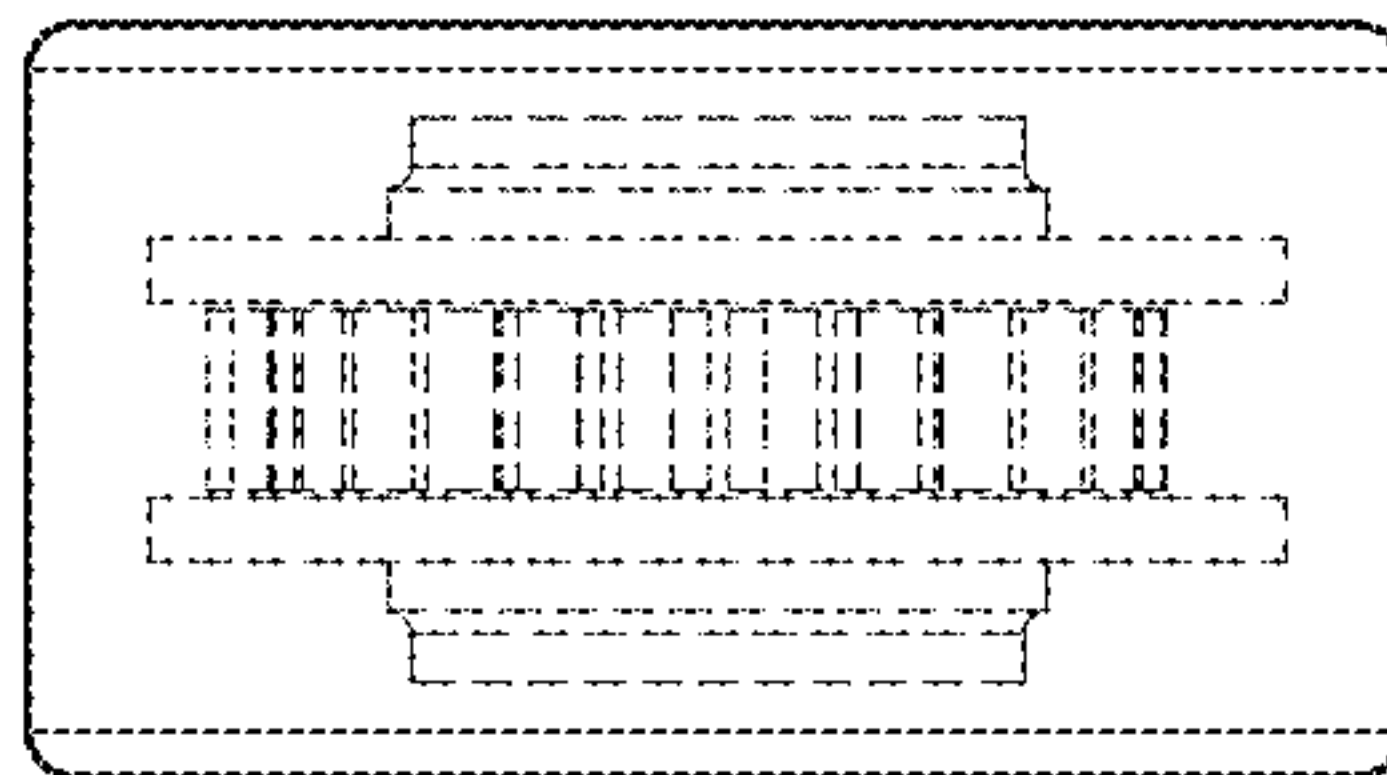


FIG. 6