



US00D772662S

(12) **United States Design Patent**
Klamm

(10) **Patent No.:** **US D772,662 S**

(45) **Date of Patent:** **** Nov. 29, 2016**

- (54) **OIL FILTER REMOVAL TOOL**
- (71) Applicant: **Thomas L. Klamm**, Racine, WI (US)
- (72) Inventor: **Thomas L. Klamm**, Racine, WI (US)
- (**) Term: **14 Years**
- (21) Appl. No.: **29/524,095**
- (22) Filed: **Apr. 16, 2015**
- (51) **LOC (10) Cl.** **08-05**
- (52) **U.S. Cl.**
USPC **D8/21**
- (58) **Field of Classification Search**
USPC D8/21-29; 81/60, 177.1, 177.85, 121.1,
81/124.3, 165-170, 110.1, 176.2, 124.6,
81/176.1, 176.15, 177.2; 16/110.1;
D15/144.1; 219/75, 227, 229, 121.16,
219/121.18
CPC B25B 27/00
See application file for complete search history.

7,241,385 B1 * 7/2007 Cline B01D 35/30
210/232
7,637,120 B1 * 12/2009 Doss F25D 3/02
62/378
D668,519 S * 10/2012 Berlencourt D8/21
2008/0276763 A1 11/2008 Greenberg
2012/0198970 A1 8/2012 Robidoux
2013/0206244 A1 8/2013 Laurel

OTHER PUBLICATIONS

ToolSource.com Internet catalog pages for the AES Industries 3/8" Oil Filter Wrench and the Gear Wrench Universal 3-Jaw Oil Filter Wrench.

* cited by examiner

Primary Examiner — Randall Gholson
(74) *Attorney, Agent, or Firm* — Quarles & Brady LLP

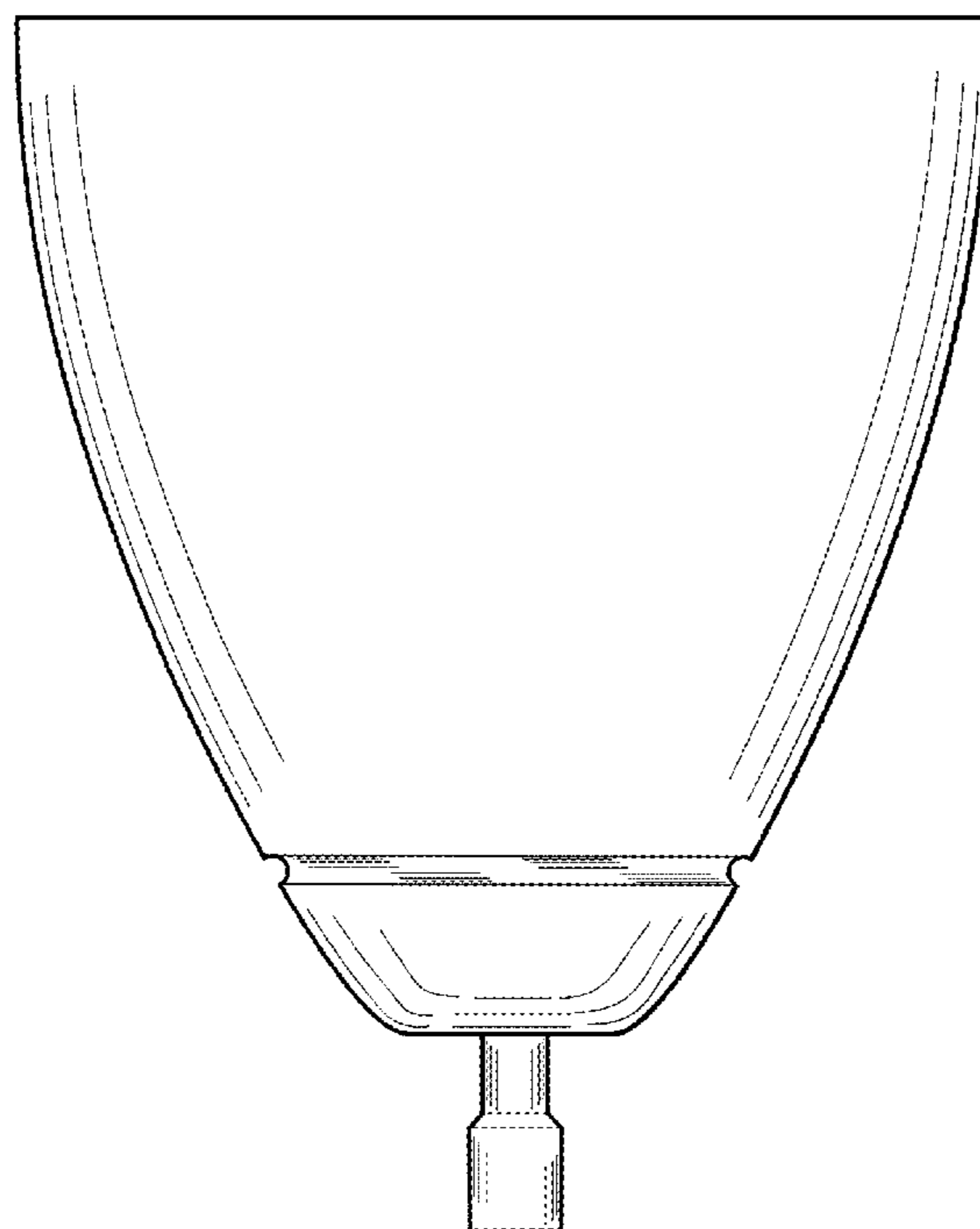
(57) **CLAIM**
The ornamental design for a oil filter removal tool, as shown and described.

DESCRIPTION

FIG. 1 is a front elevational view of an oil filter removal tool according to an embodiment of the design; The rear, right and left elevational views of the oil filter removal tool are identical to the front elevational view; FIG. 2 is a bottom plan view of the oil filter removal tool; and, FIG. 3 is a top plan view of the oil filter removal tool. The broken lines depict portions of the oil filter removal tool that form no part of the claimed design.

1 Claim, 2 Drawing Sheets

- (56) **References Cited**
U.S. PATENT DOCUMENTS
4,451,368 A * 5/1984 Pandelena B01D 35/31
210/238
4,714,138 A * 12/1987 Zaccone B25B 27/0042
137/320
D302,928 S * 8/1989 Kurtovic D8/33
5,259,426 A * 11/1993 Burleigh B25B 27/0042
141/331
7,107,878 B1 * 9/2006 Jerantowski B25B 27/0042
81/120



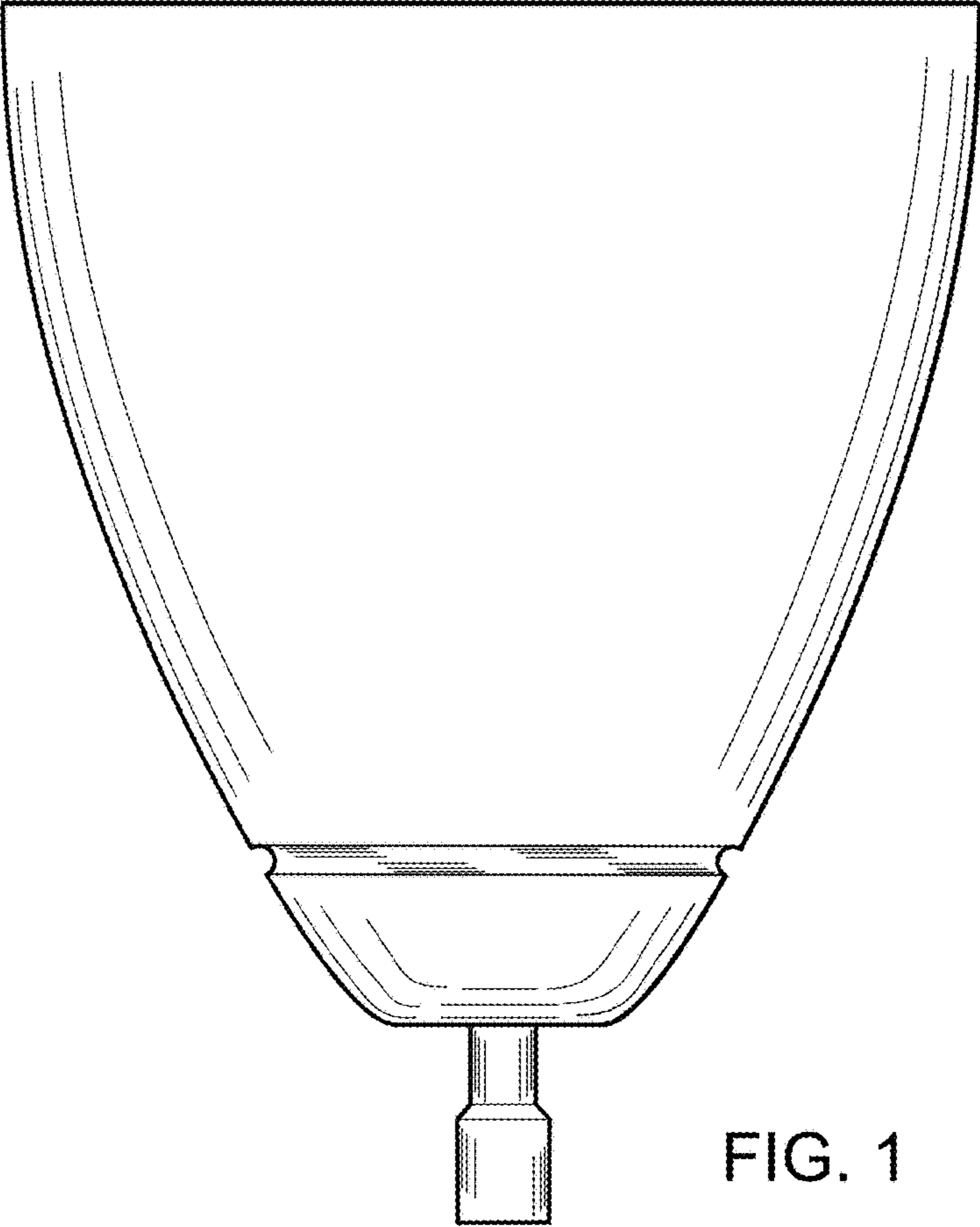


FIG. 1

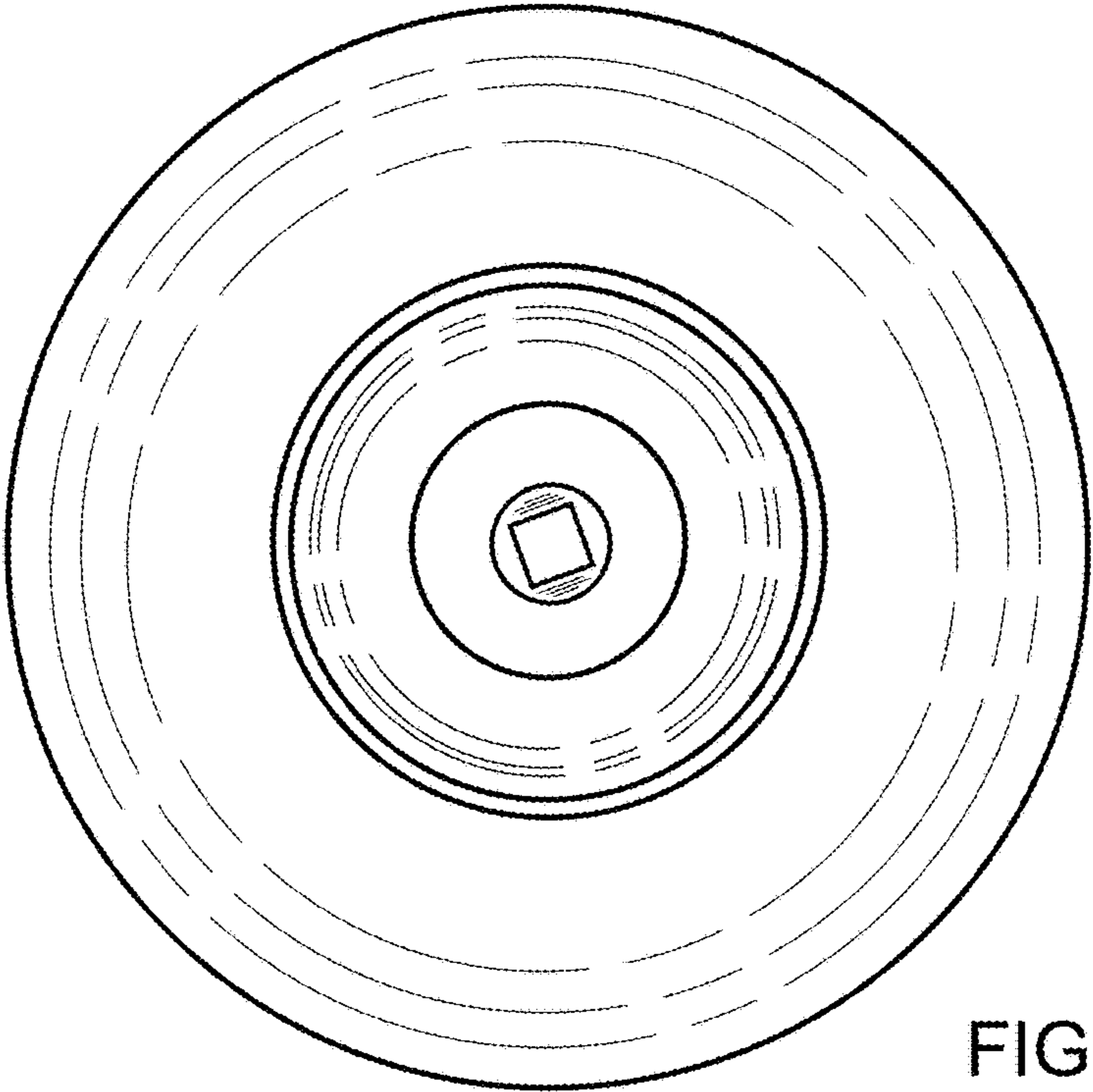


FIG. 2

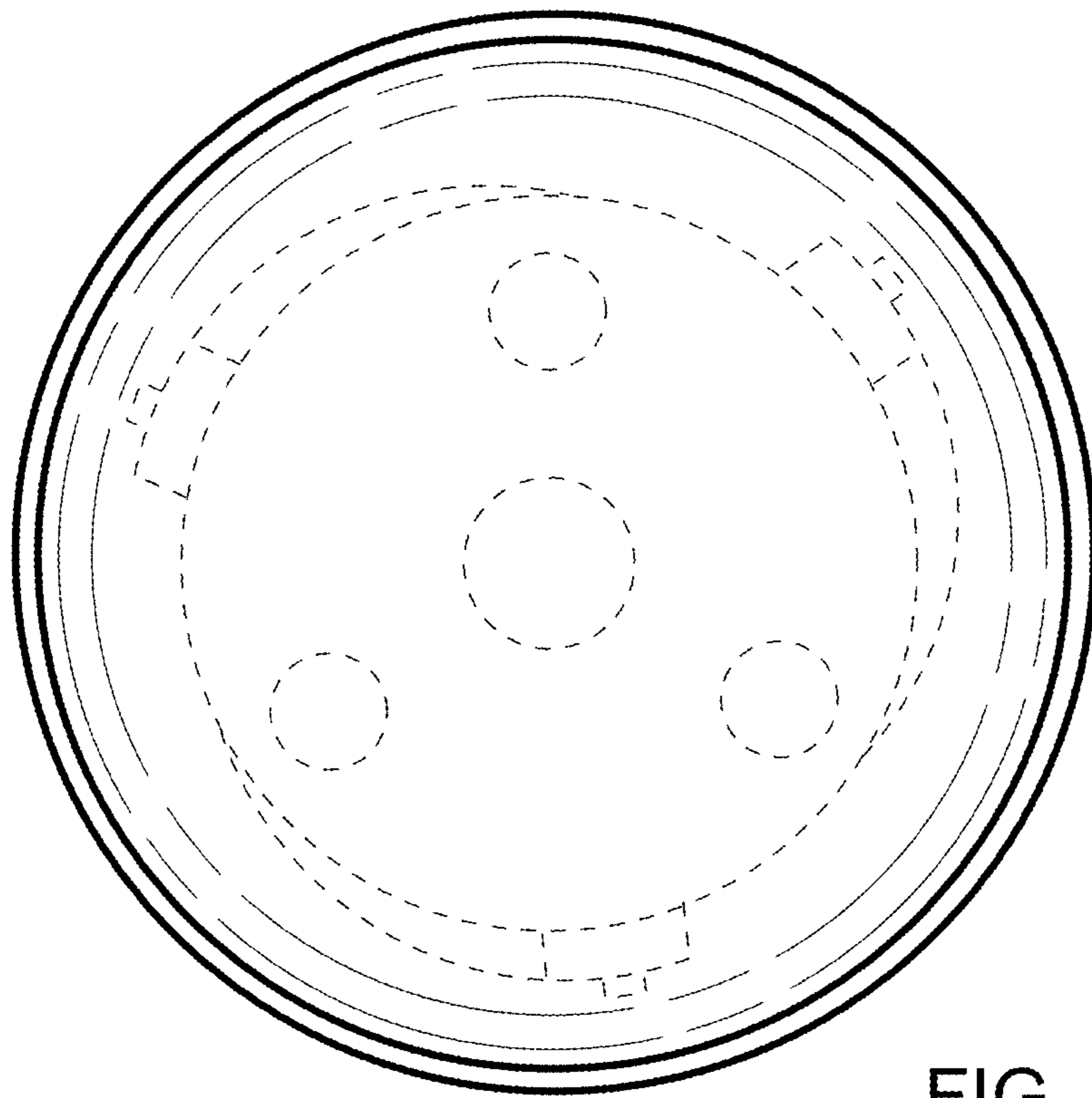


FIG. 3