



US00D772661S

(12) **United States Design Patent**  
**Norton**

(10) **Patent No.:** **US D772,661 S**

(45) **Date of Patent:** **\*\* Nov. 29, 2016**

(54) **BEARING TOOL**

(71) Applicant: **Durston Manufacturing Co., La Verne, CA (US)**

(72) Inventor: **Donovan K. Norton, La Verne, CA (US)**

(73) Assignee: **Durston Manufacturing Co., La Verne, CA (US)**

(\*\*) Term: **15 Years**

(21) Appl. No.: **29/532,499**

(22) Filed: **Jul. 7, 2015**

(51) **LOC (10) Cl.** ..... **08-05**

(52) **U.S. Cl.**  
USPC ..... **D8/14**

(58) **Field of Classification Search**  
USPC ..... D8/14, 51, 71, 72; D25/126; D34/31  
CPC ..... B25B 27/02; B25B 27/06; B25B 27/062  
See application file for complete search history.

(56) **References Cited**

**U.S. PATENT DOCUMENTS**

- 3,045,832 A \* 7/1962 Hibbard ..... A47B 81/005  
211/64
- D358,119 S \* 5/1995 Winter ..... D12/160

6,446,328 B1 \* 9/2002 Heflin ..... B25B 27/062  
29/258

6,971,149 B2 \* 12/2005 Berman ..... B25B 27/02  
29/254

D594,718 S \* 6/2009 Duffy ..... D8/14  
D653,774 S \* 2/2012 Kubota ..... D25/126

\* cited by examiner

*Primary Examiner* — Phillip S Hyder

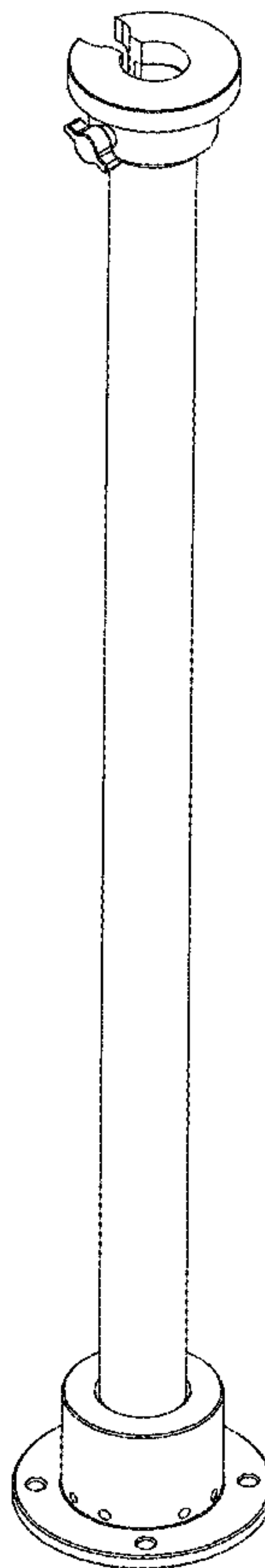
(57) **CLAIM**

The ornamental design for a bearing tool, as shown and described.

**DESCRIPTION**

FIG. 1 is a front perspective view of the claimed design for an a bearing tool  
FIG. 2 is a front elevation view thereof;  
FIG. 3 is a rear elevation view thereof;  
FIG. 4 is a left side elevation view thereof;  
FIG. 5 is a right side elevation view thereof;  
FIG. 6 a top pan view thereof;  
FIG. 7 is a bottom plan view thereof; and,  
FIG. 8 is an exploded view thereof.

**1 Claim, 8 Drawing Sheets**



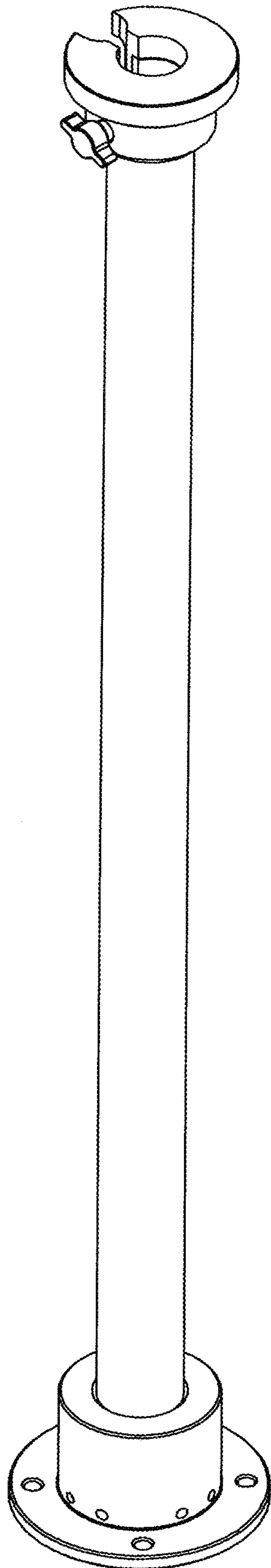


FIG. 1

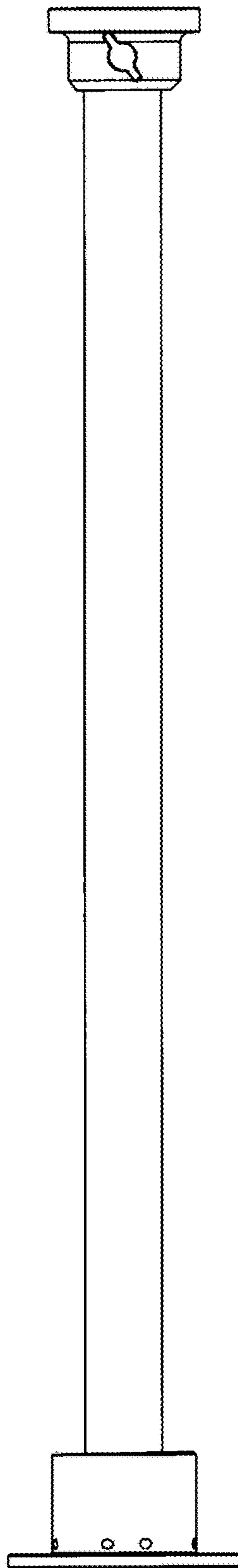


FIG. 2

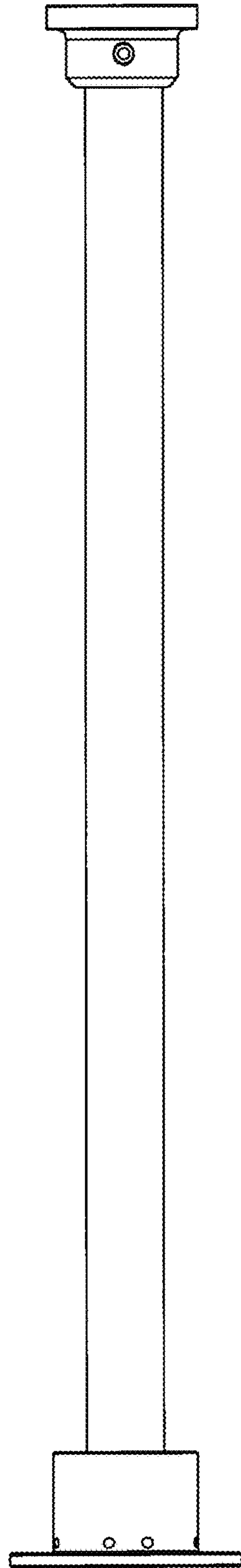


FIG. 3

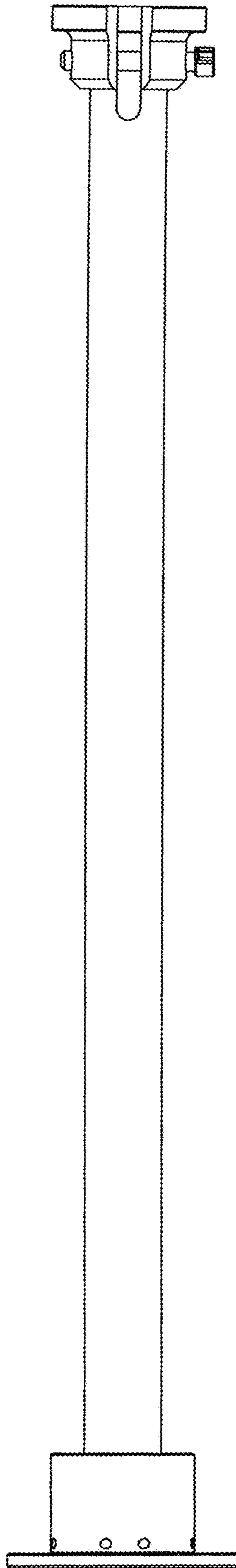


FIG. 4

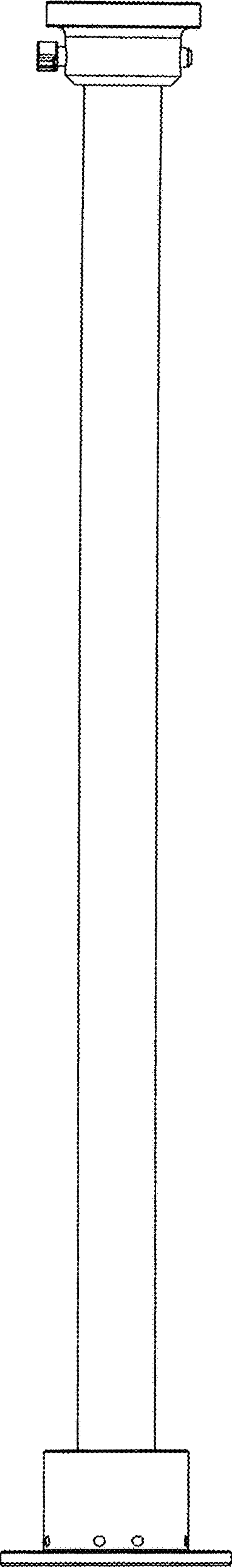


FIG. 5

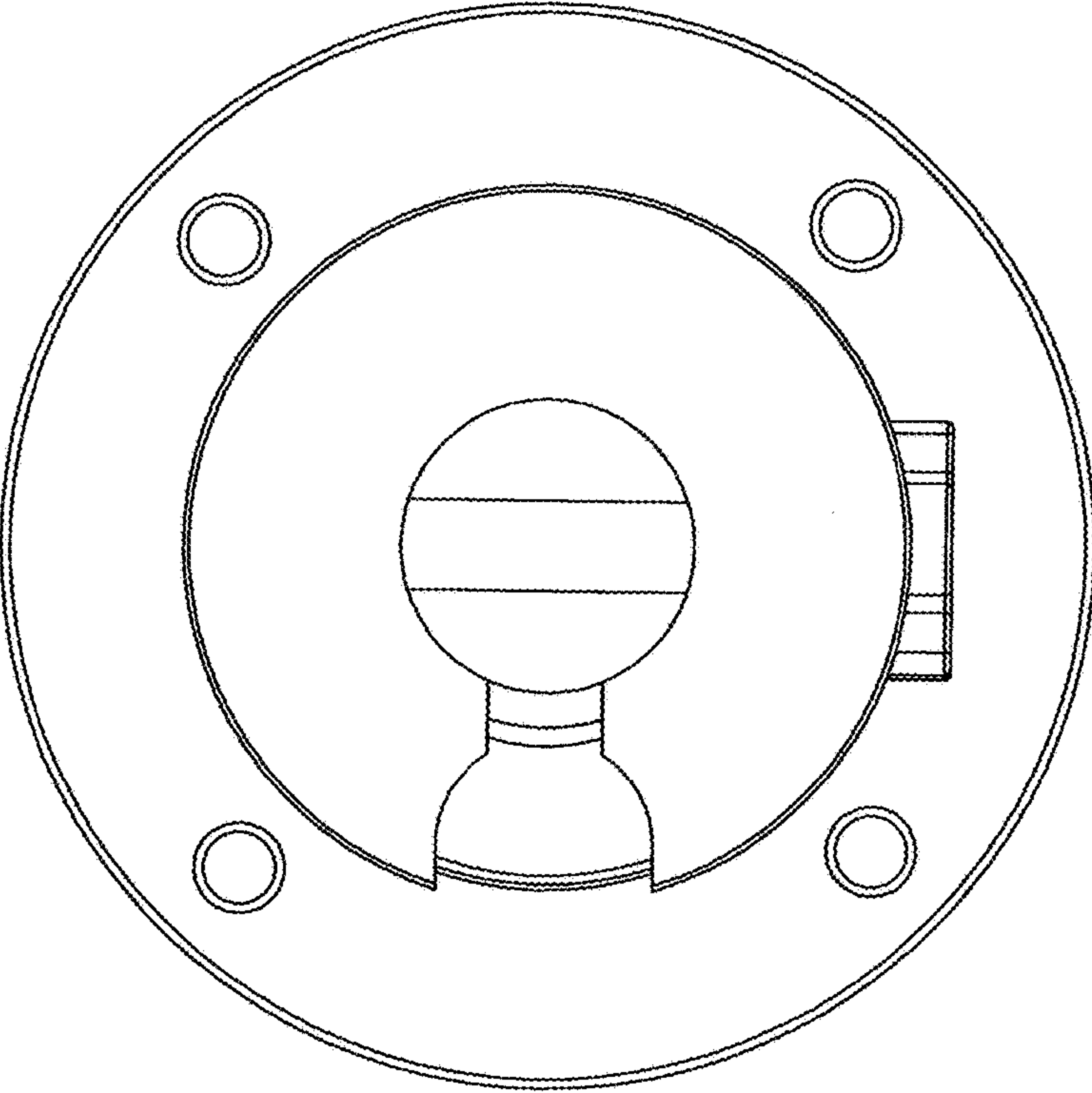


FIG. 6

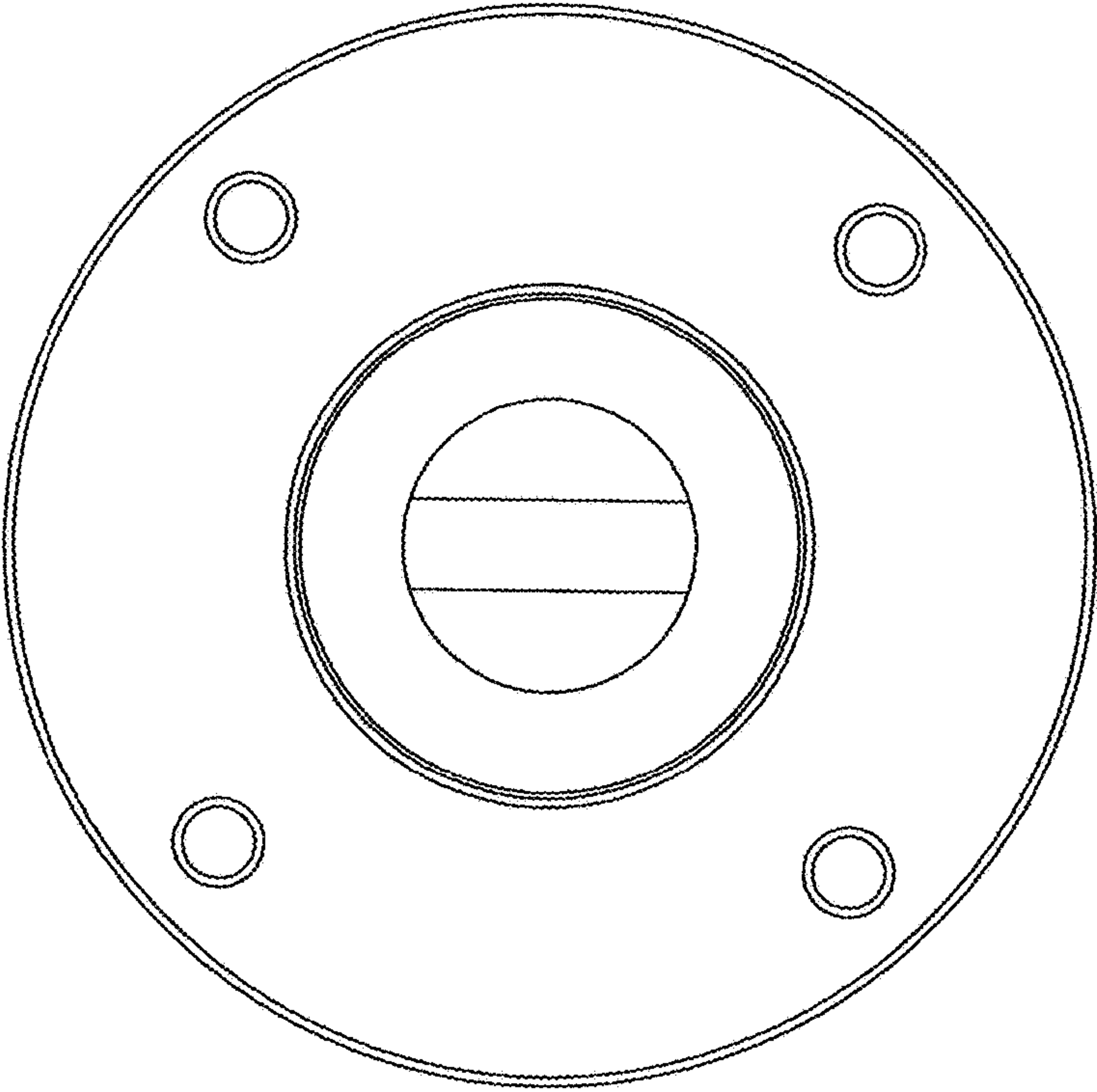


FIG. 7



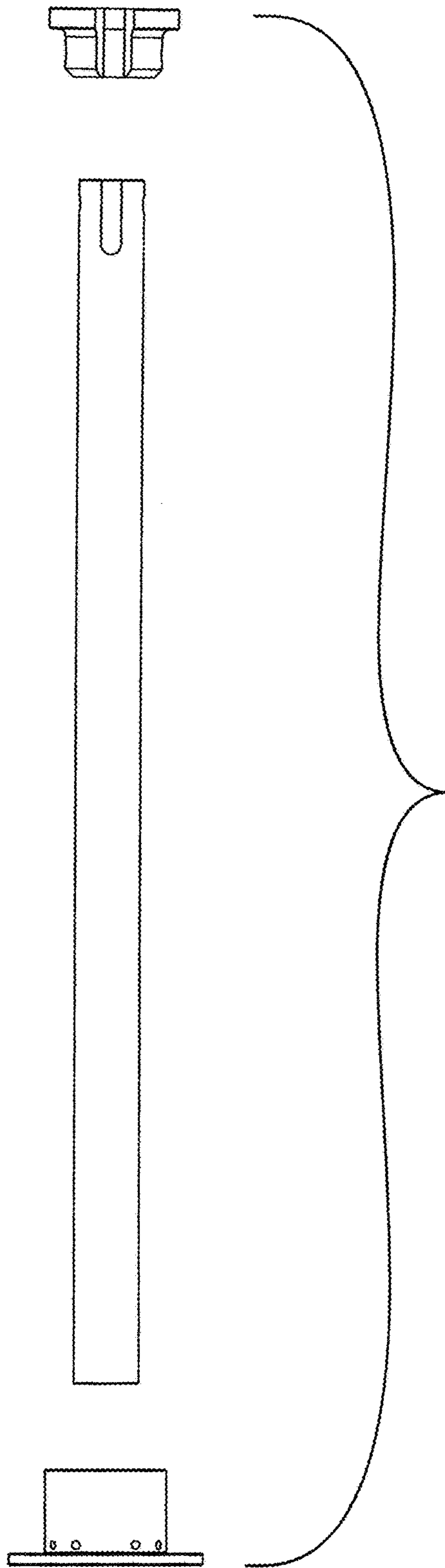


FIG. 8