



US00D772660S

(12) **United States Design Patent**
Huang

(10) **Patent No.:** **US D772,660 S**

(45) **Date of Patent:** **** Nov. 29, 2016**

(54) **SPADE**

(71) Applicant: **Yi Huang**, Kaohsiung (TW)

(72) Inventor: **Yi Huang**, Kaohsiung (TW)

(**) Term: **15 Years**

(21) Appl. No.: **29/534,760**

(22) Filed: **Jul. 31, 2015**

(51) **LOC (10) Cl.** **08-01**

(52) **U.S. Cl.**

USPC **D8/10; D7/691**

(58) **Field of Classification Search**

USPC D8/1, 7, 9, 10, 11, 12; D7/691;

D21/472, 532, 530; D30/162

CPC A01B 1/02; A01B 1/00; A47F 13/08;

E01H 1/12

See application file for complete search history.

(56) **References Cited**

U.S. PATENT DOCUMENTS

71,847	A *	12/1867	Bromley	A01B 1/02 294/176
121,529	A *	12/1871	Lum	B67C 3/04 141/108
182,747	A *	10/1876	Button	A01B 1/02 294/176
186,888	A *	1/1877	Sherer	A01B 1/02 294/176
206,011	A *	7/1878	Freeman	A01B 1/02 294/176
212,678	A *	2/1879	Freeman	A01B 1/02 294/176

217,528	A *	7/1879	Gourley	A01B 1/02 294/176
266,849	A *	10/1882	Liddell	A01B 1/02 294/176
282,493	A *	8/1883	Button	A01B 1/02 294/176
1,711,566	A *	5/1929	Jacobs	A47F 13/08 294/180
D115,159	S *	6/1939	Nelson	D8/10
2,505,113	A *	4/1950	Handley	F23J 3/02 294/9
4,686,734	A *	8/1987	Alexander	A47L 13/52 15/257.1
D362,161	S *	9/1995	Rosenkranz	D7/691
5,716,087	A *	2/1998	Backich	A01B 1/02 16/422
2003/0150627	A1 *	8/2003	Timmons	A01B 1/20 172/377

* cited by examiner

Primary Examiner — Sheryl Lane

Assistant Examiner — Ieisha Price

(74) *Attorney, Agent, or Firm* — Leong C. Lei

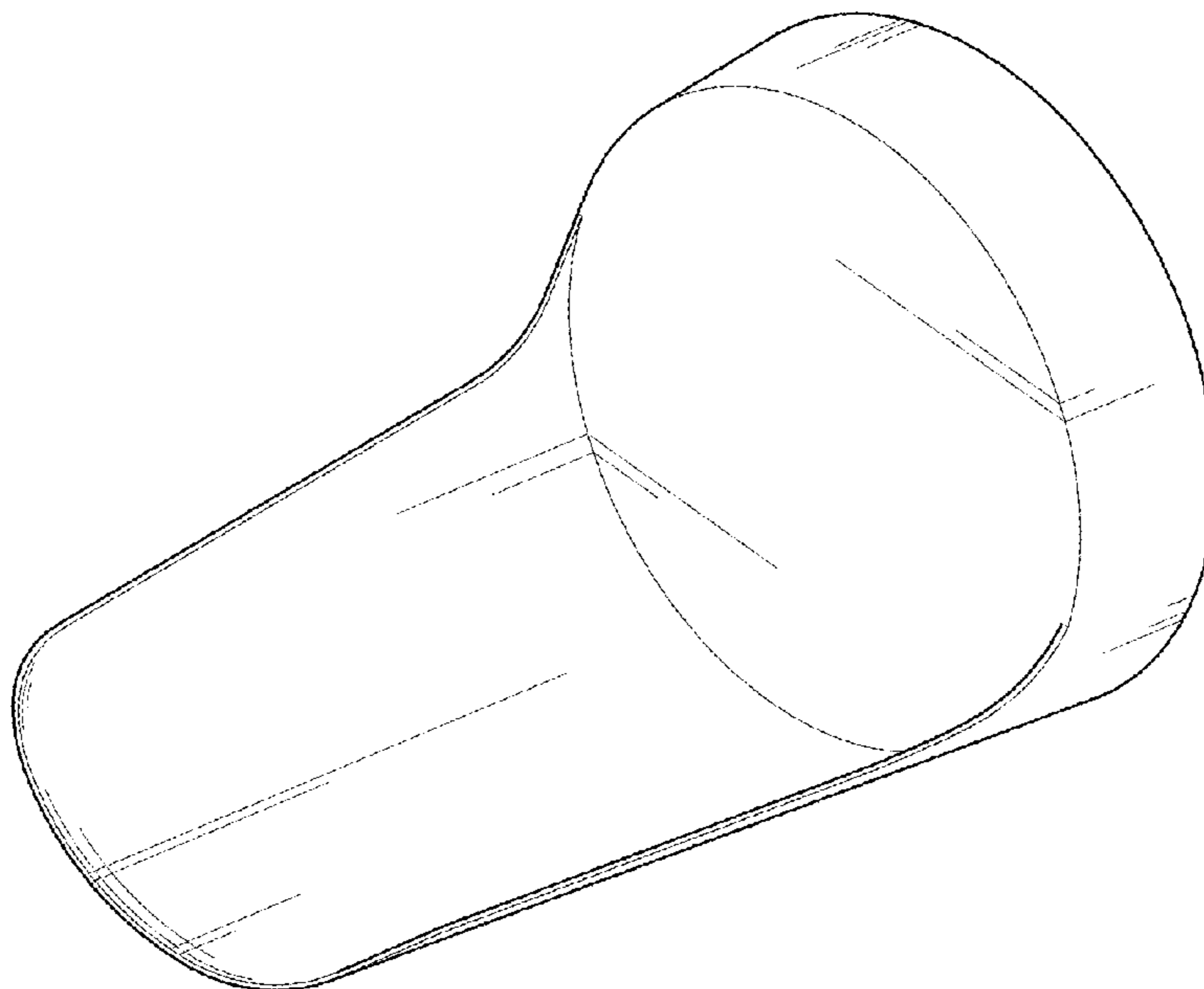
(57) **CLAIM**

The ornamental design for a spade, as shown and described.

DESCRIPTION

FIG. 1 is a front perspective view of a spade showing my new design;
FIG. 2 is a front elevational view thereof;
FIG. 3 is a rear elevational view thereof;
FIG. 4 is a left elevational view thereof;
FIG. 5 is a right elevational view thereof;
FIG. 6 is a top plan view thereof; and,
FIG. 7 is a bottom plan view thereof.

1 Claim, 4 Drawing Sheets



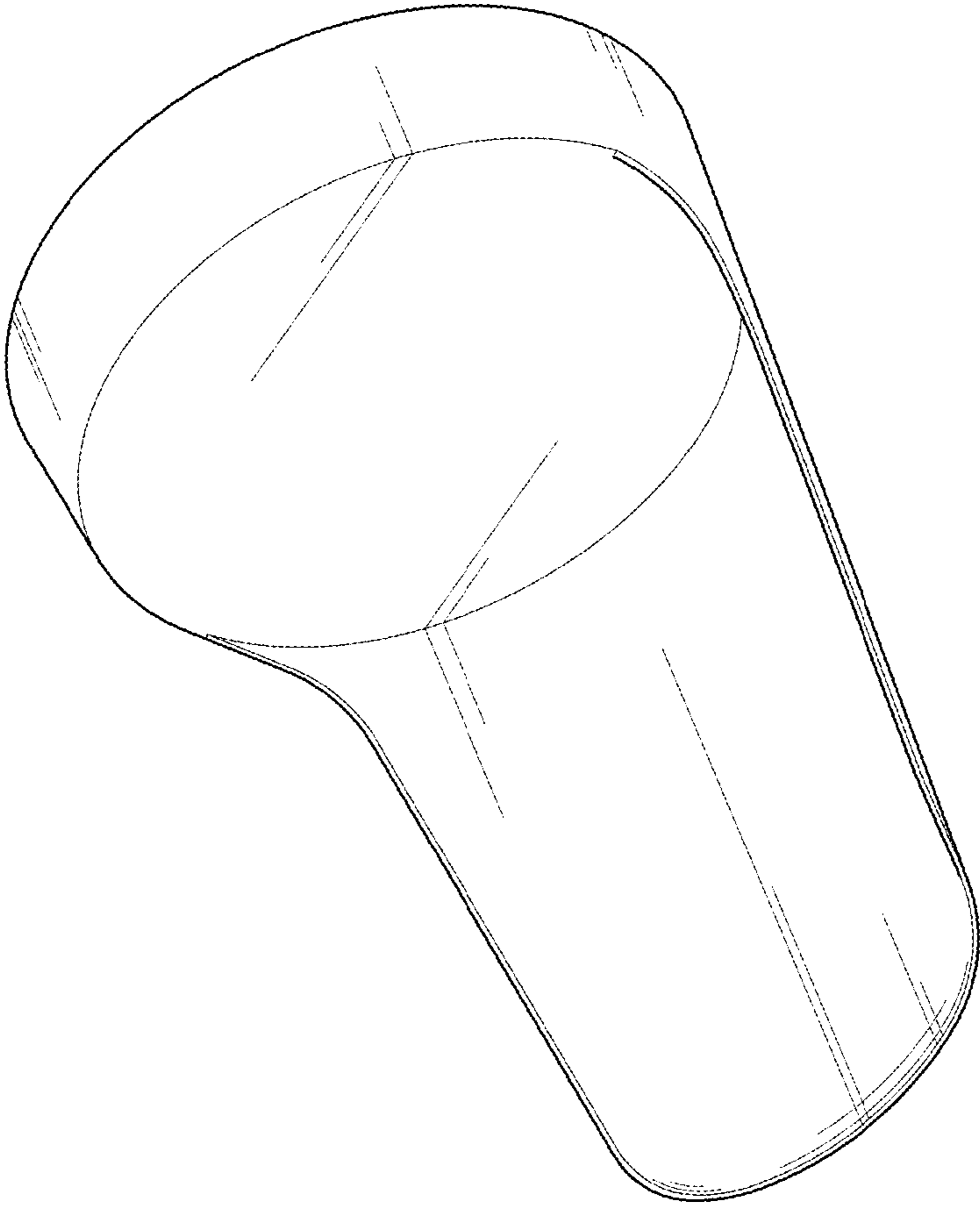


FIG.1

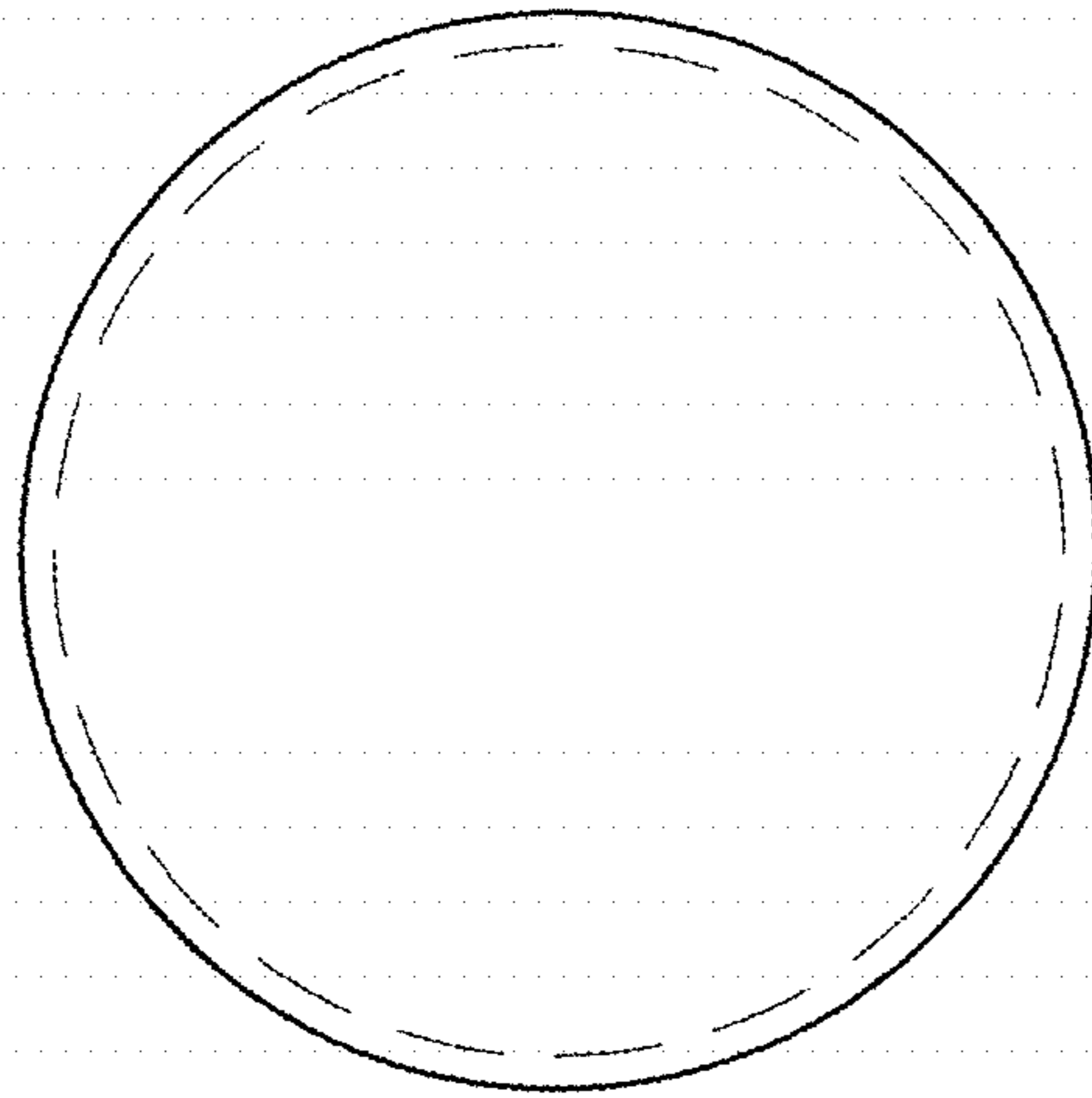


FIG.3

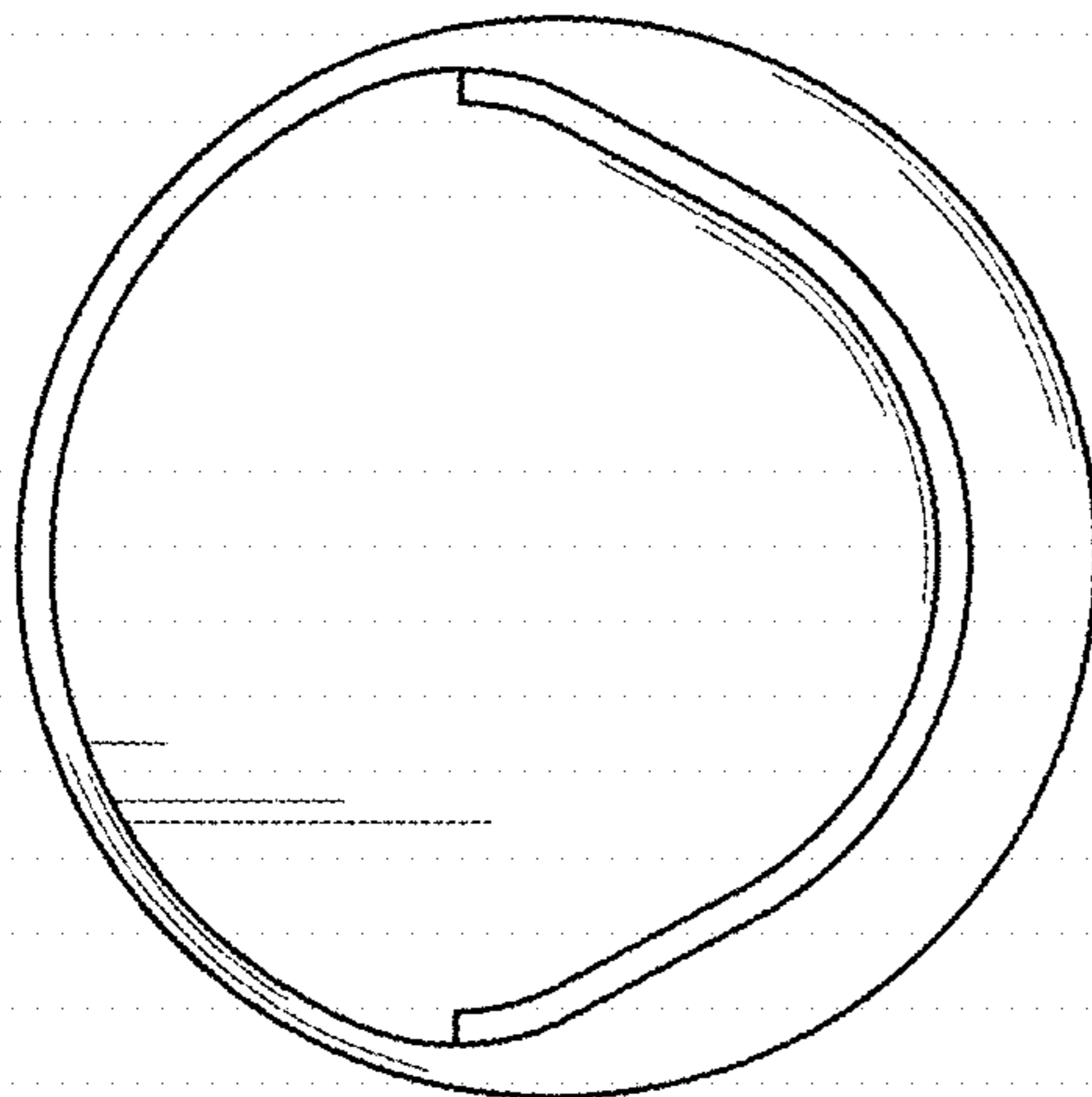


FIG.2

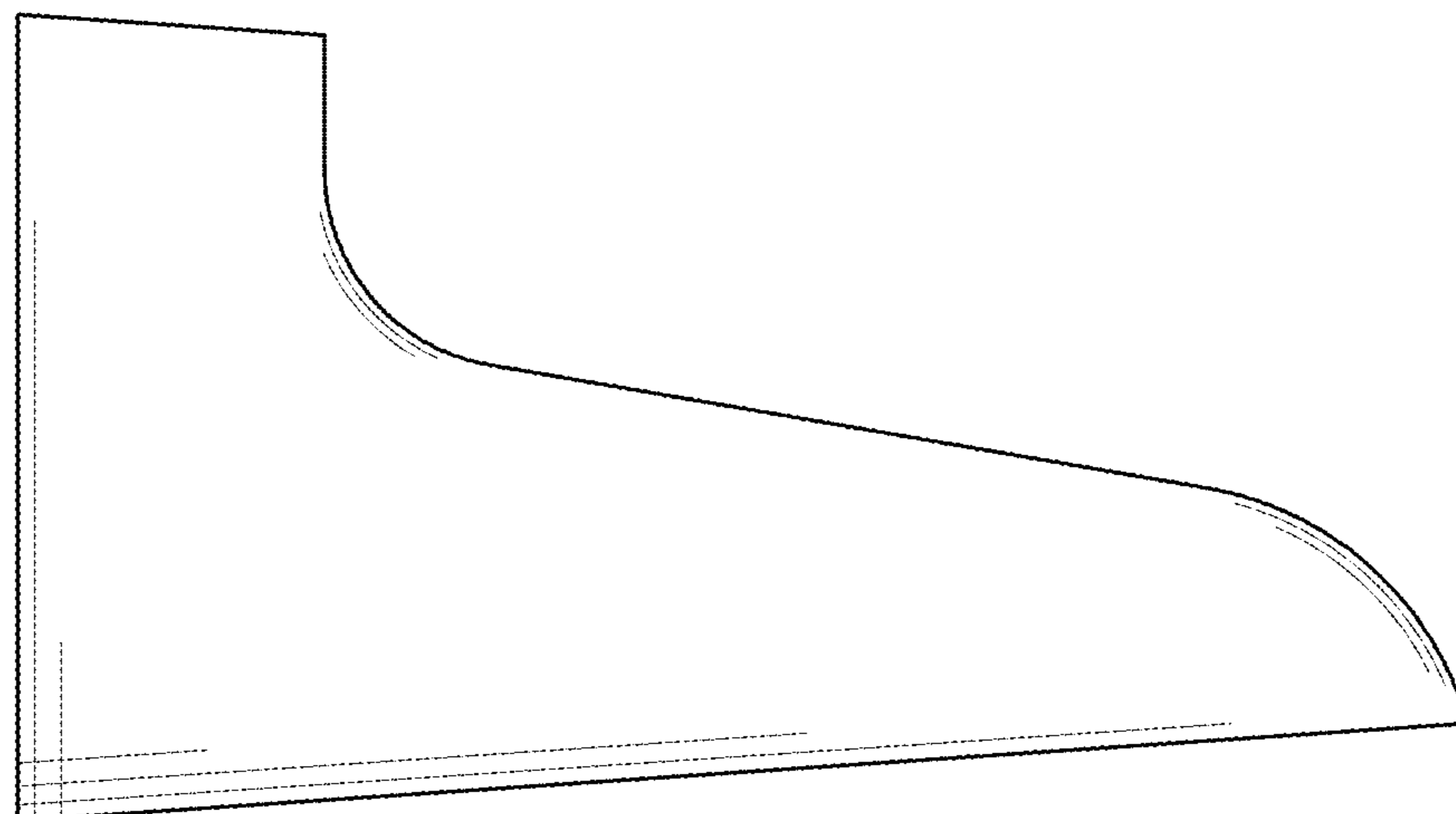


FIG.4

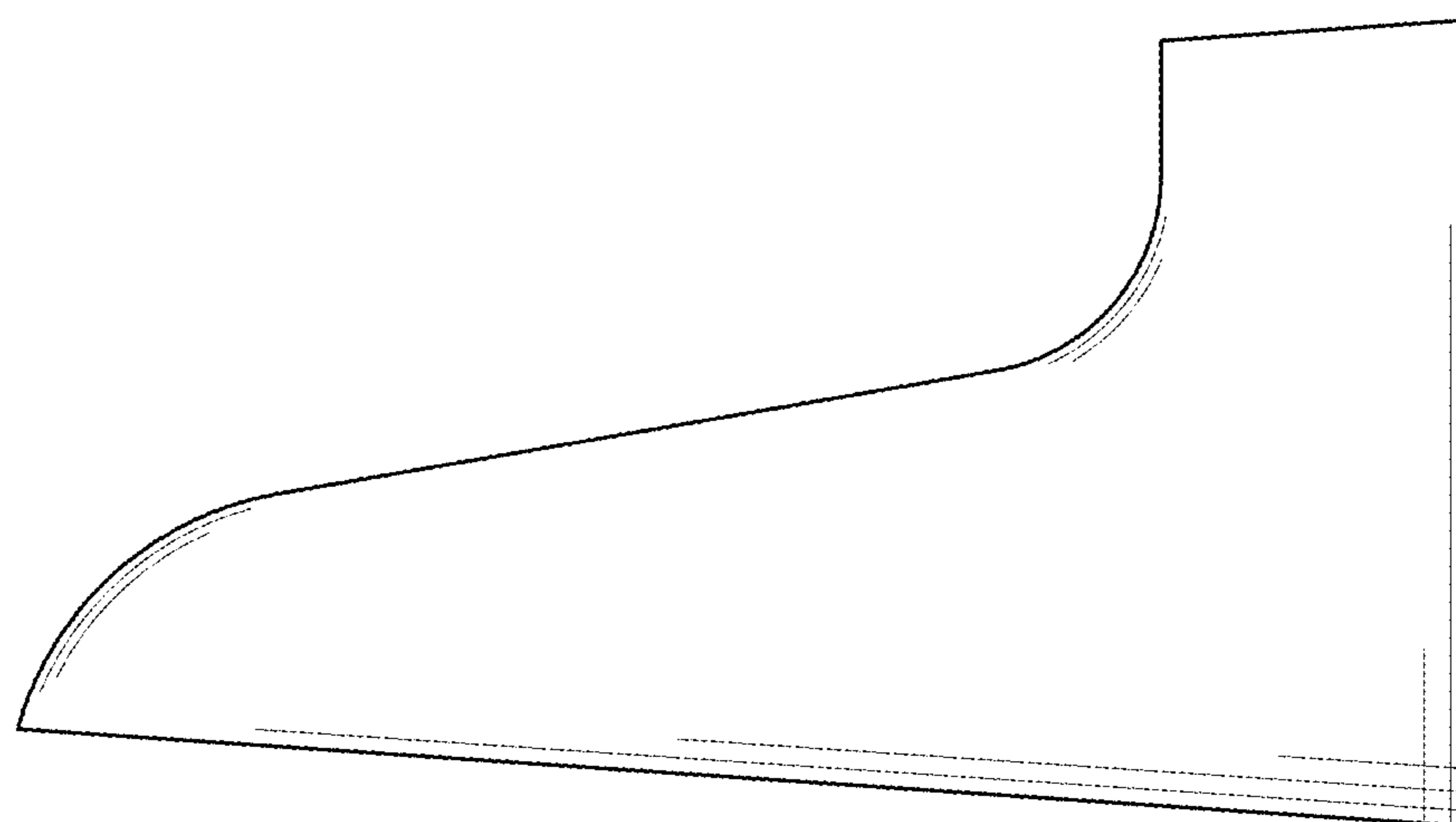


FIG.5

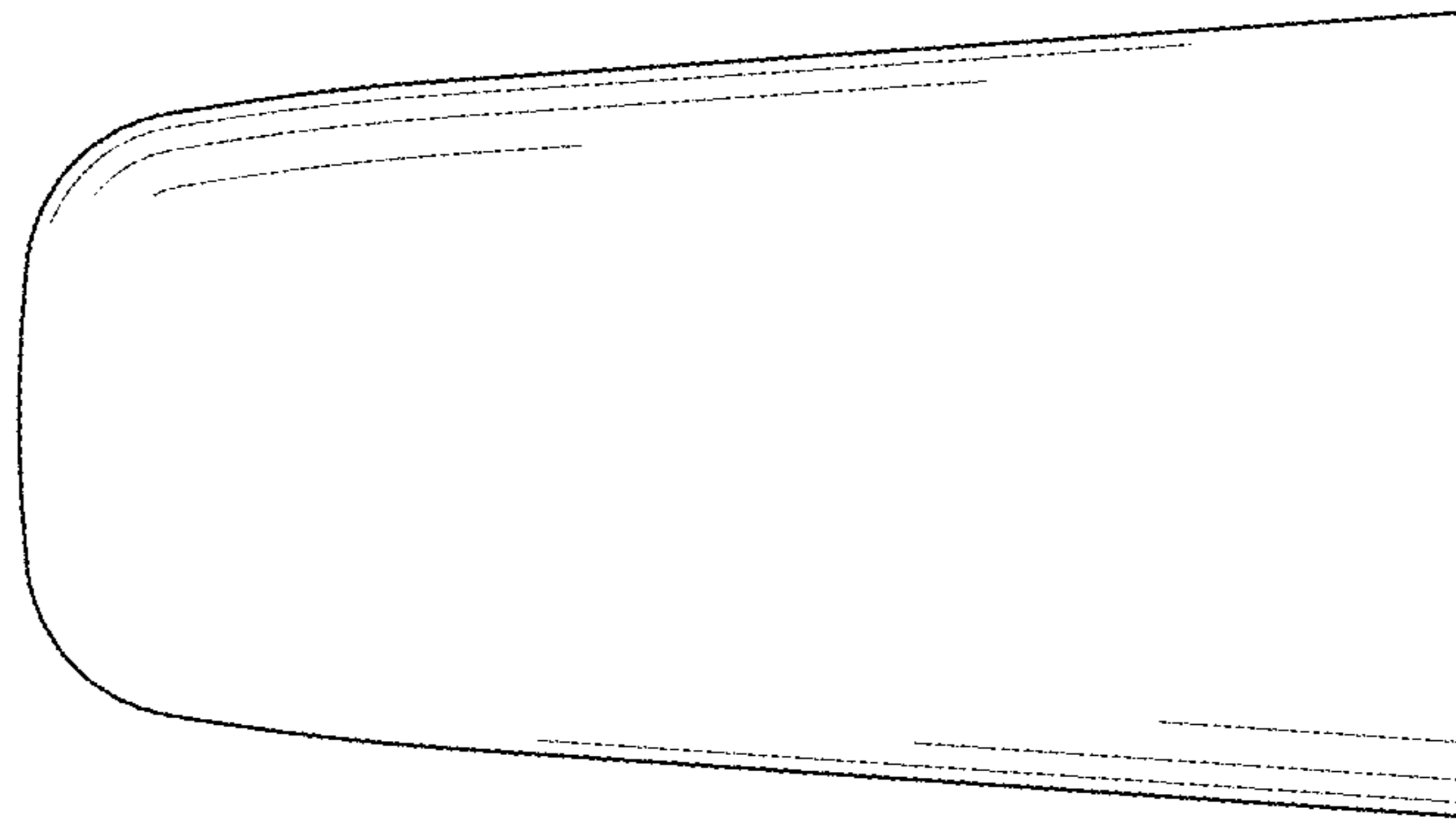


FIG.7

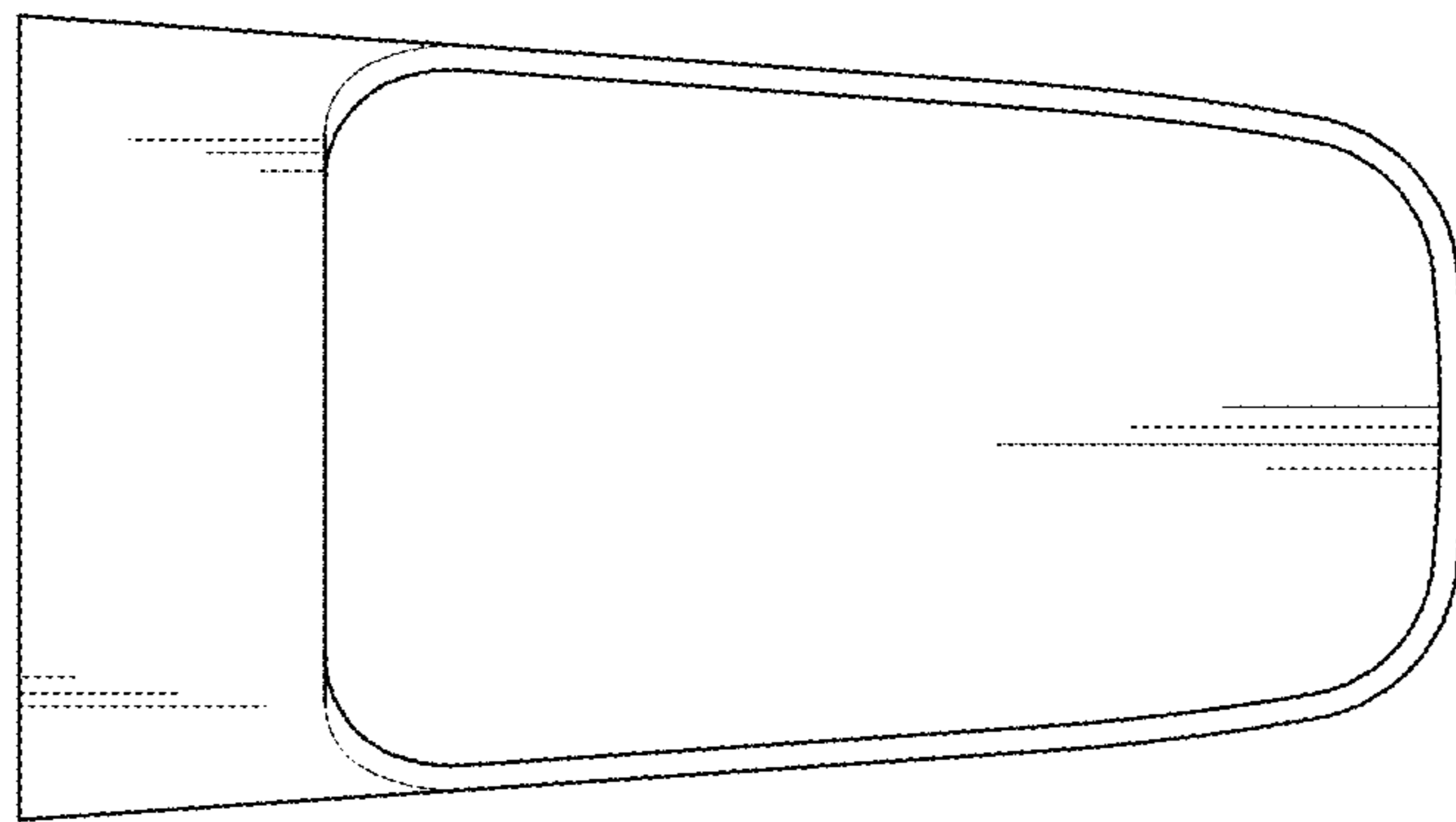


FIG.6