



US00D772659S

(12) **United States Design Patent** (10) **Patent No.:** **US D772,659 S**
Middleton et al. (45) **Date of Patent:** **** Nov. 29, 2016**

(54) **CONTAINER**

OTHER PUBLICATIONS

(71) Applicant: **ABBOTT LABORATORIES**, Abbott Park, IL (US)

Zojirushi Mr.Bento Stainless Lunch Jar SL-NCE09 Instruction Manual, pp. 1-4.

(Continued)

(72) Inventors: **Jason Middleton**, Dublin, OH (US); **Spencer Beaufore**, Dublin, OH (US); **Jeremy McBroom**, Columbus, OH (US); **Sriram Tharmapuram**, Dublin, OH (US)

Primary Examiner — George D Kirschbaum

Assistant Examiner — Clese Moore, Jr.

(74) *Attorney, Agent, or Firm* — Calfee, Halter & Griswold LLP

(73) Assignee: **ABBOTT LABORATORIES**, Abbott Park, IL (US)

(57) **CLAIM**

We claim the ornamental design for a container, as shown and described.

(**) Term: **14 Years**

DESCRIPTION

(21) Appl. No.: **29/507,750**

(22) Filed: **Oct. 30, 2014**

(51) **LOC (10) Cl.** **07-01**

(52) **U.S. Cl.**
USPC **D7/629**

(58) **Field of Classification Search**
USPC D7/628, 629, 630, 601, 602, 538–542, D7/612–615; D9/424–432; D3/201
CPC B65D 43/02; B65D 43/14; B65D 43/16; B65D 2543/00092; B65D 2543/00296; B65D 2543/00537
See application file for complete search history.

FIG. 1 is a front perspective view of a container showing the new design;
FIG. 2 is a bottom perspective view of the container of FIG. 1;
FIG. 3 is a left side view of the container of FIG. 1, the right side view being essentially a mirror image thereof;
FIG. 4 is a front view of the container of FIG. 1, the rear view being essentially a mirror image thereof;
FIG. 5 is a top view of the container of FIG. 1;
FIG. 6 is a bottom view of the container of FIG. 1;
FIG. 7 is a front perspective view of a container showing the new design;
FIG. 8 is a bottom perspective view of the container of FIG. 7;
FIG. 9 is a left side view of the container of FIG. 7, the right side view being essentially a mirror image thereof;
FIG. 10 is a front view of the container of FIG. 7, the rear view being essentially a mirror image thereof;
FIG. 11 is a top view of the container of FIG. 7; and,
FIG. 12 is a bottom view of the container of FIG. 7.
The broken lines illustrated show portions of the container that form no part of the claimed design.

(56) **References Cited**

U.S. PATENT DOCUMENTS

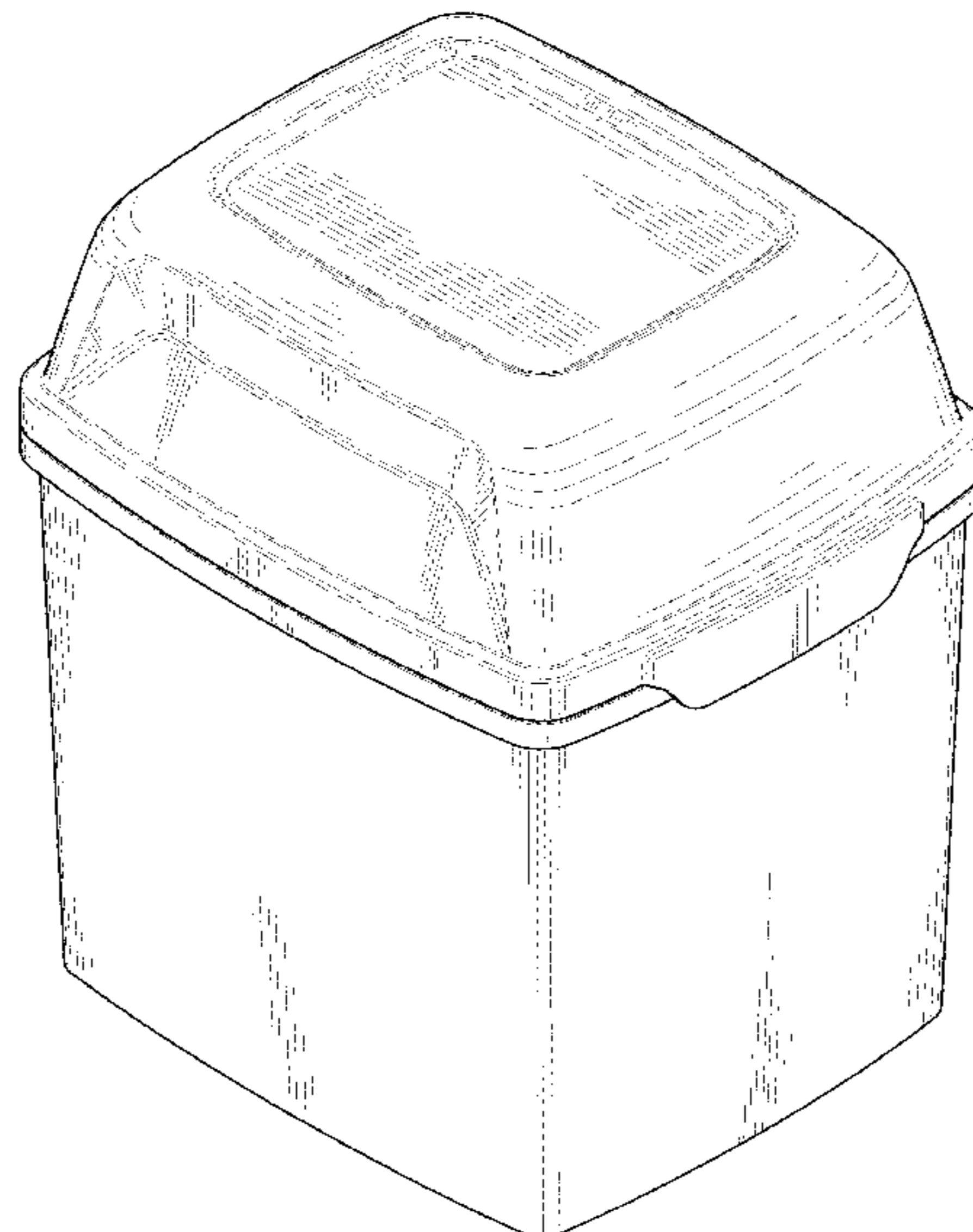
2,780,259 A 2/1957 Nalle, Jr.
D285,906 S * 9/1986 Tyler D9/425

(Continued)

FOREIGN PATENT DOCUMENTS

EP 2030908 3/2009
WO 2010141841 12/2010

1 Claim, 10 Drawing Sheets



(56)

References Cited

U.S. PATENT DOCUMENTS

D308,340 S * 6/1990 Ilsen D3/302
 D326,391 S * 5/1992 Verchere D34/7
 D329,930 S * 9/1992 Delmerico D34/1
 D336,017 S 6/1993 Smith
 D342,609 S * 12/1993 Brightbill D3/272
 D351,090 S * 10/1994 Narsutis D7/629
 D360,898 S * 8/1995 Huerto D19/75
 D372,401 S * 8/1996 Lillelund D7/612
 D416,797 S 11/1999 Rabe
 D418,055 S 12/1999 Veto
 D451,765 S * 12/2001 Israel D7/605
 D473,789 S 4/2003 Crawford
 D484,797 S * 1/2004 Kipperman D9/424
 D493,073 S * 7/2004 Kim D7/629
 D540,039 S 4/2007 Van Beuningen et al.
 D547,177 S 7/2007 Sherman
 D553,980 S 10/2007 Verweyst
 D576,035 S * 9/2008 Perry D9/435
 D595,128 S 6/2009 Bouveret
 D630,900 S 1/2011 Samartgis
 D649,839 S * 12/2011 Stamper D7/602
 D654,690 S * 2/2012 Sofy D3/309
 D667,699 S * 9/2012 Brockington D7/629
 D669,778 S 10/2012 Houlton
 D676,739 S * 2/2013 McGrath, Jr. D7/629

D682,045 S * 5/2013 Myoung D7/629
 D682,046 S * 5/2013 Myoung D7/629
 D682,047 S * 5/2013 Myoung D7/629
 8,511,499 B2 8/2013 Perry et al.
 D697,762 S 1/2014 Carlson
 D702,509 S 4/2014 Segal
 D719,731 S * 12/2014 Burgess D3/299
 D741,665 S * 10/2015 Bagley D7/629
 2006/0076352 A1 4/2006 Peterson
 2008/0041861 A1 2/2008 Crawford et al.
 2010/0308065 A1 12/2010 Vandamme et al.
 2011/0192847 A1 8/2011 Vandamme et al.
 2011/0315686 A1 12/2011 Siddiqui et al.
 2012/0000925 A1 1/2012 Dols et al.
 2012/0061413 A1 3/2012 Dols et al.
 2014/0097183 A1 4/2014 McGrath et al.

OTHER PUBLICATIONS

Notice of Allowance from U.S. Appl. No. 29/507,751 dated Jul. 14, 2016.
 Response to Restriction Requirement from from U.S. Appl. No. 29/507,752 dated Jul. 18, 2016.
 Ex Parte Quayle Office Action from U.S. Appl. No. 29/507,752 dated Jul. 29, 2016.
 Office Action from U.S. Appl. No. 29/522,201 dated May 18, 2016.

* cited by examiner

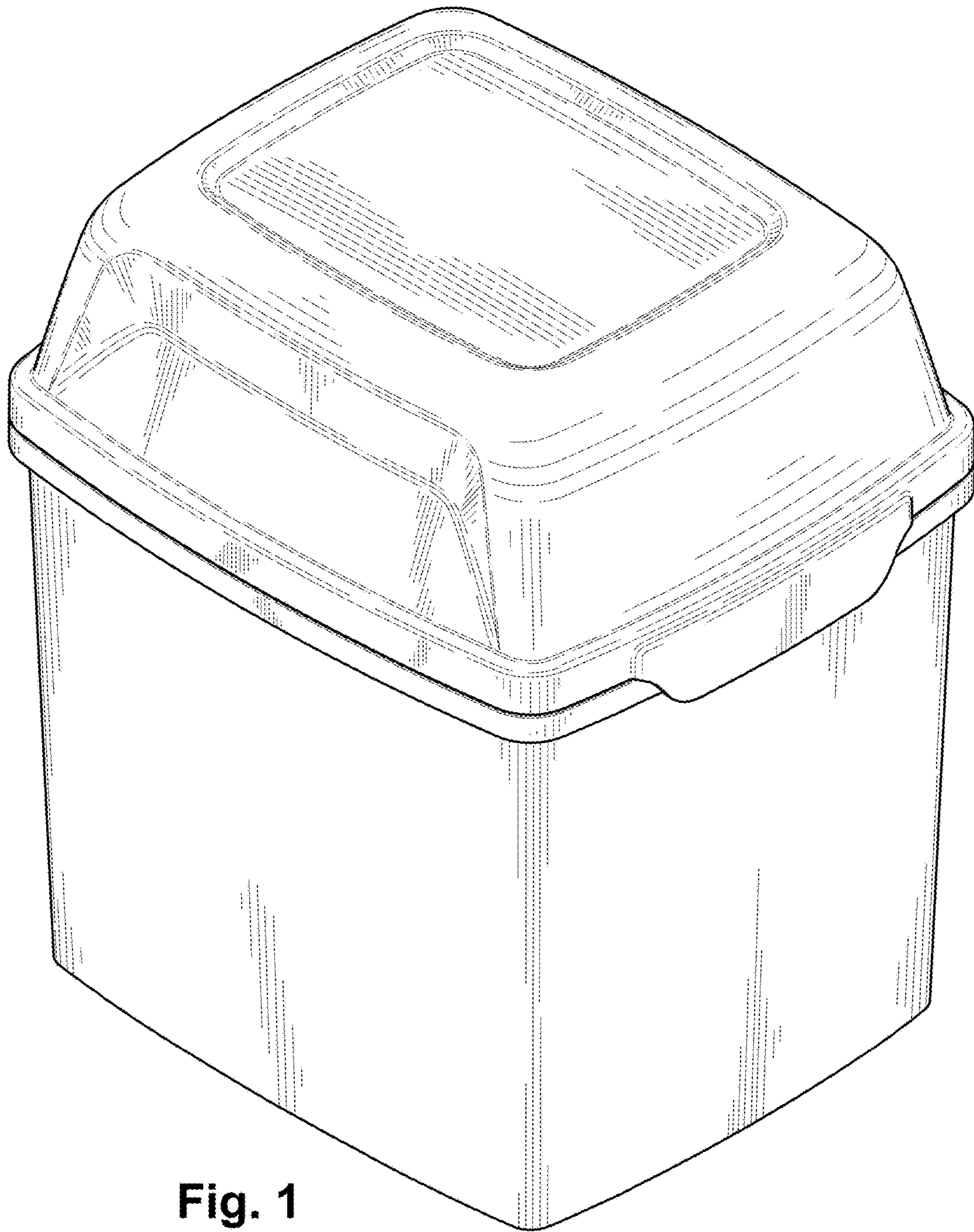


Fig. 1

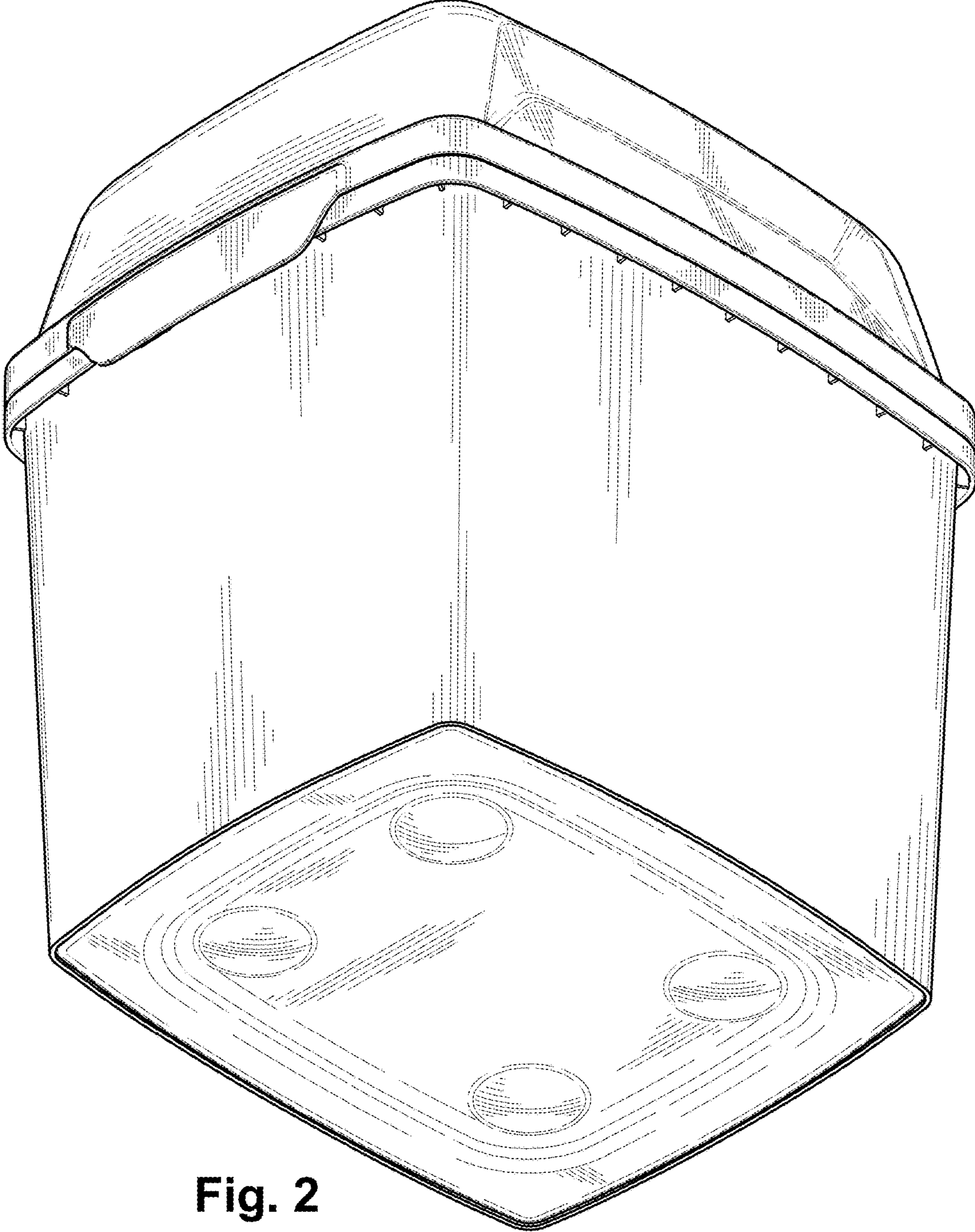


Fig. 2

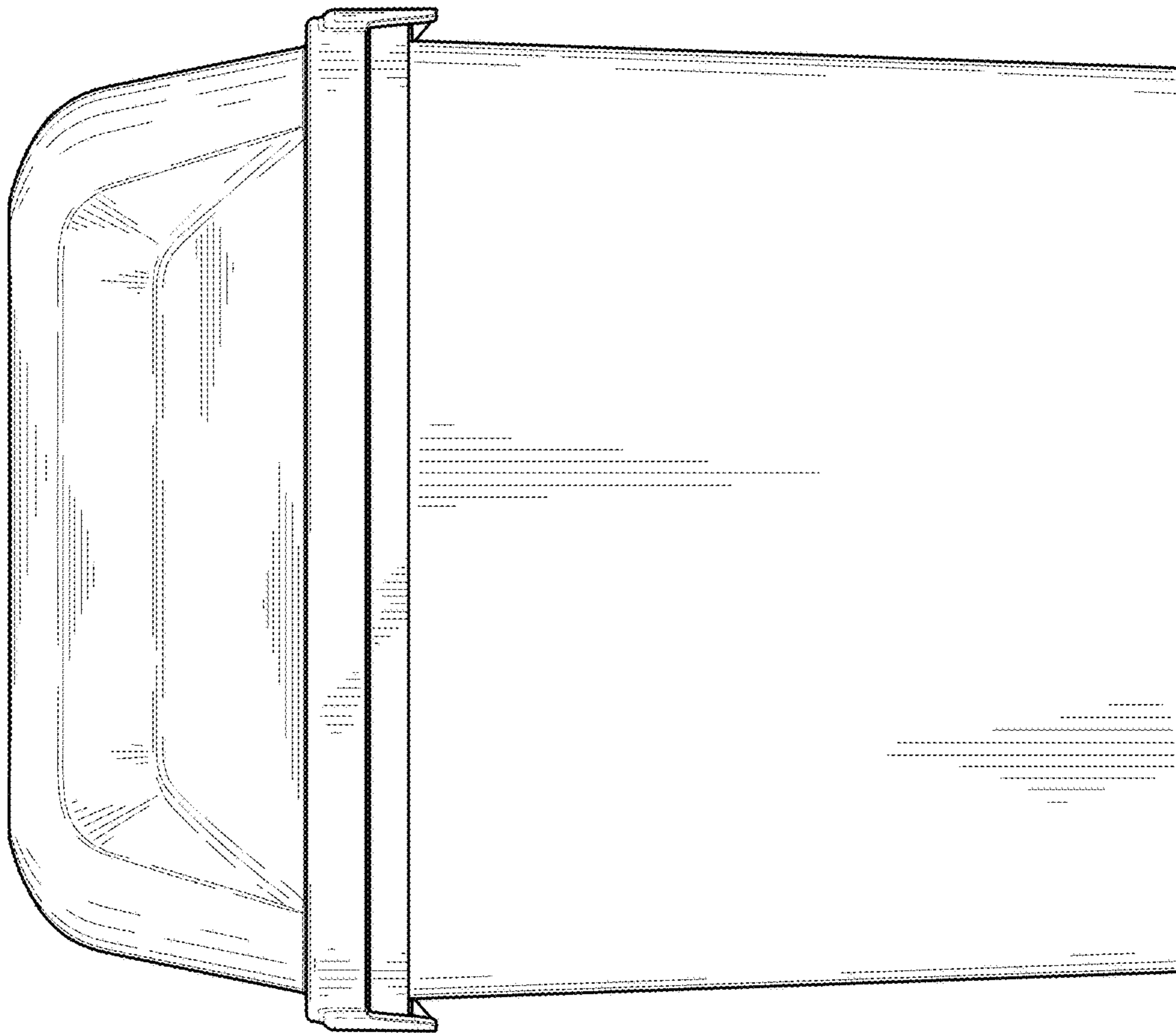


Fig. 3

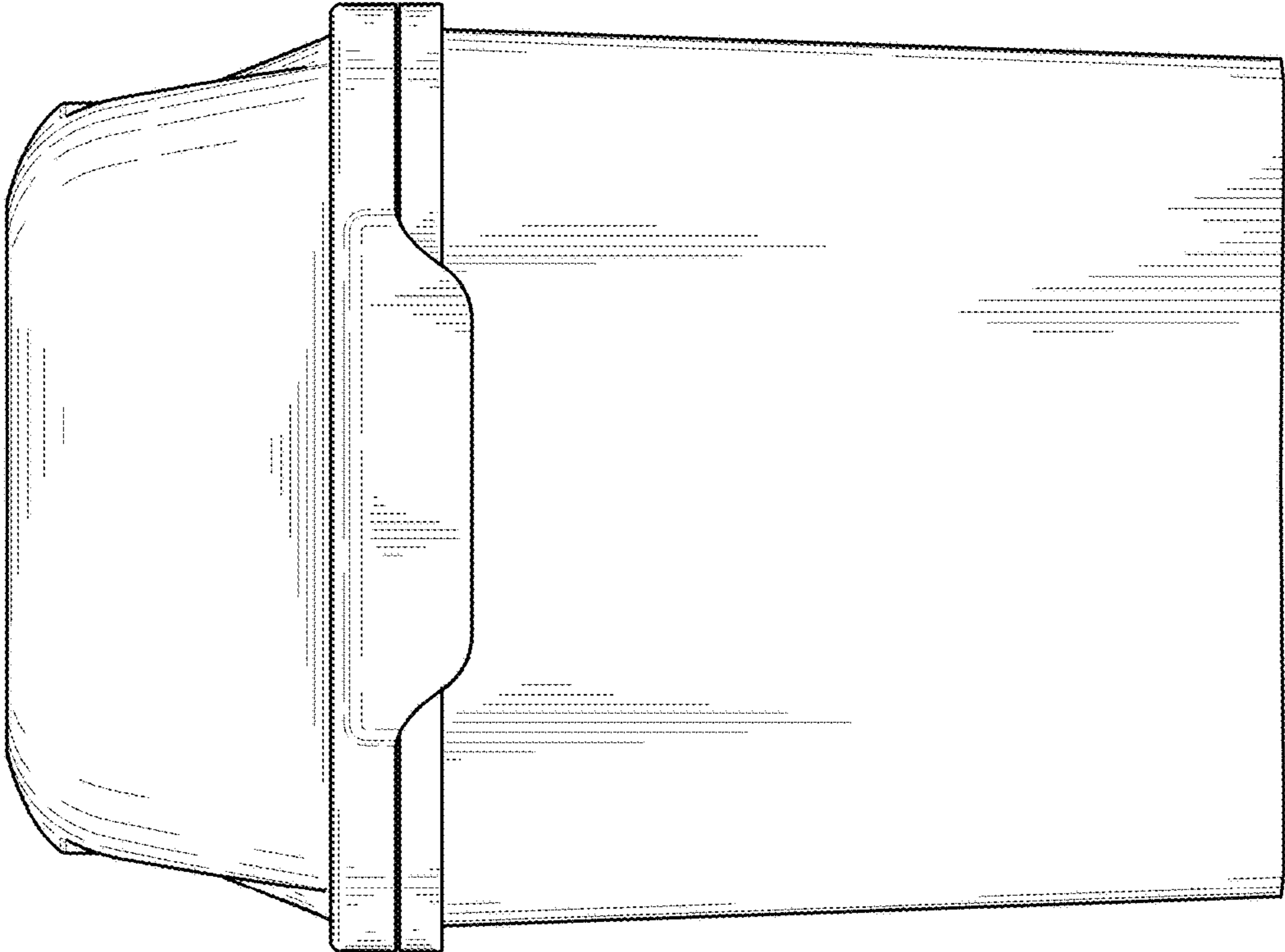


Fig. 4

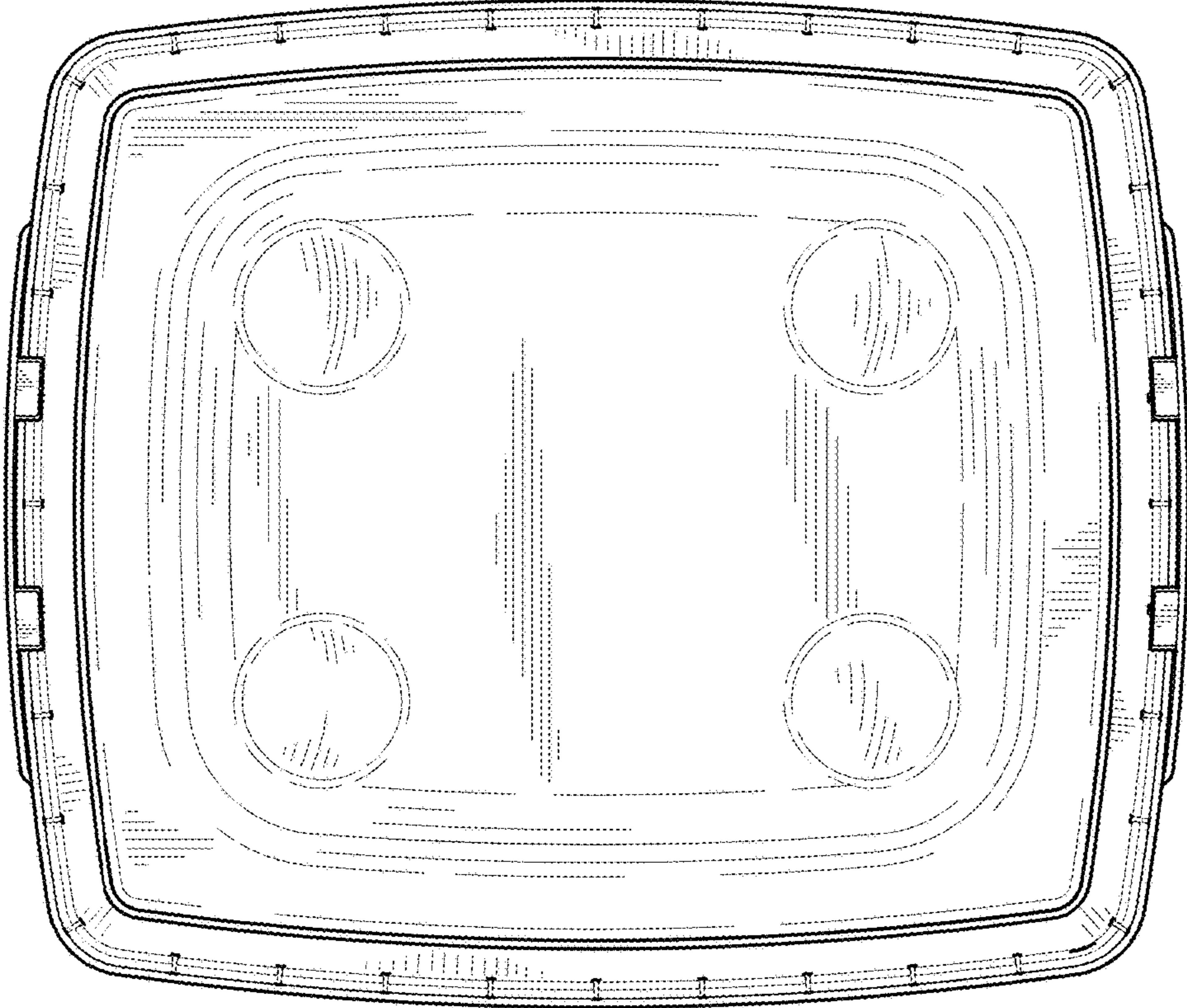


Fig. 6

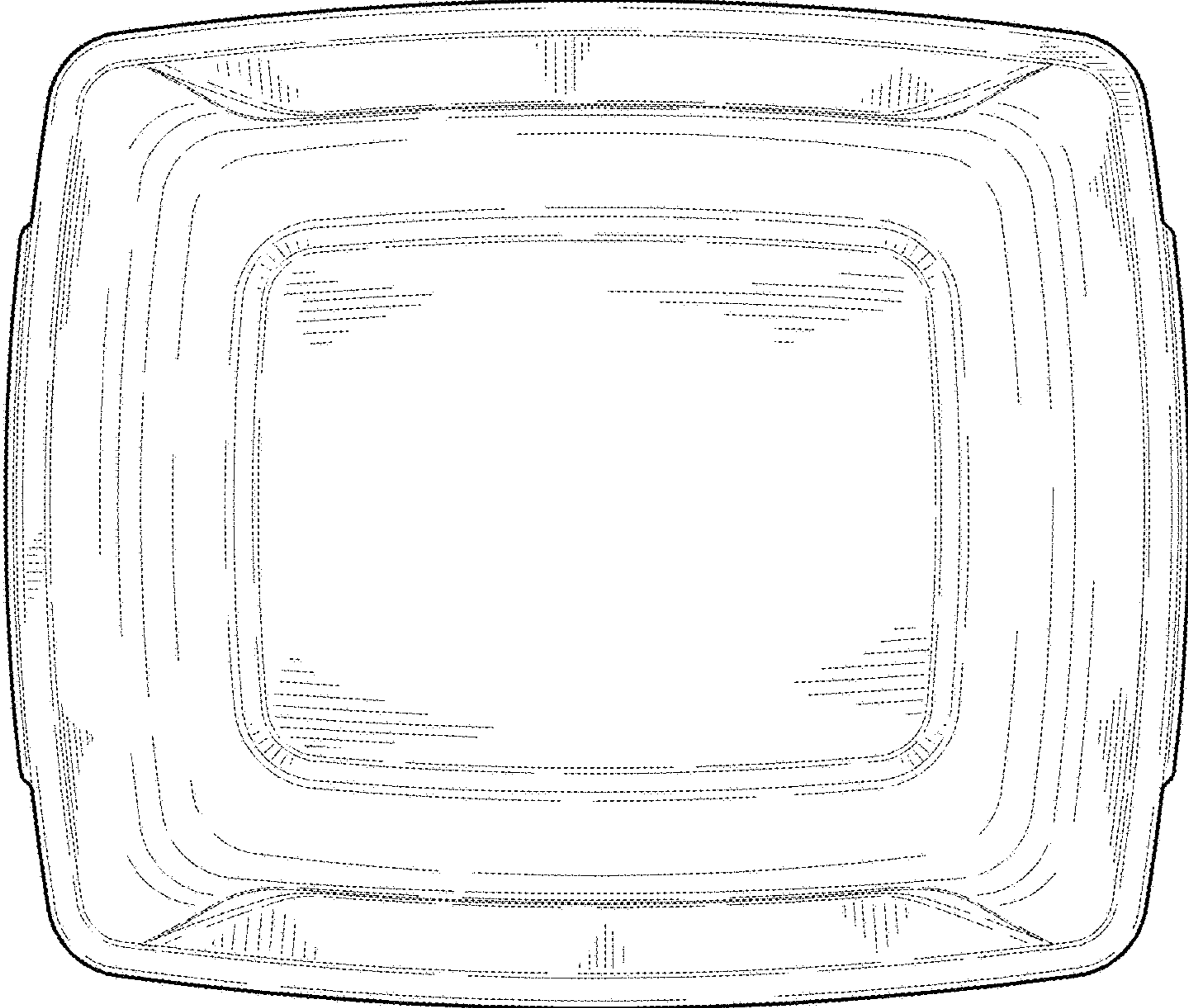


Fig. 5

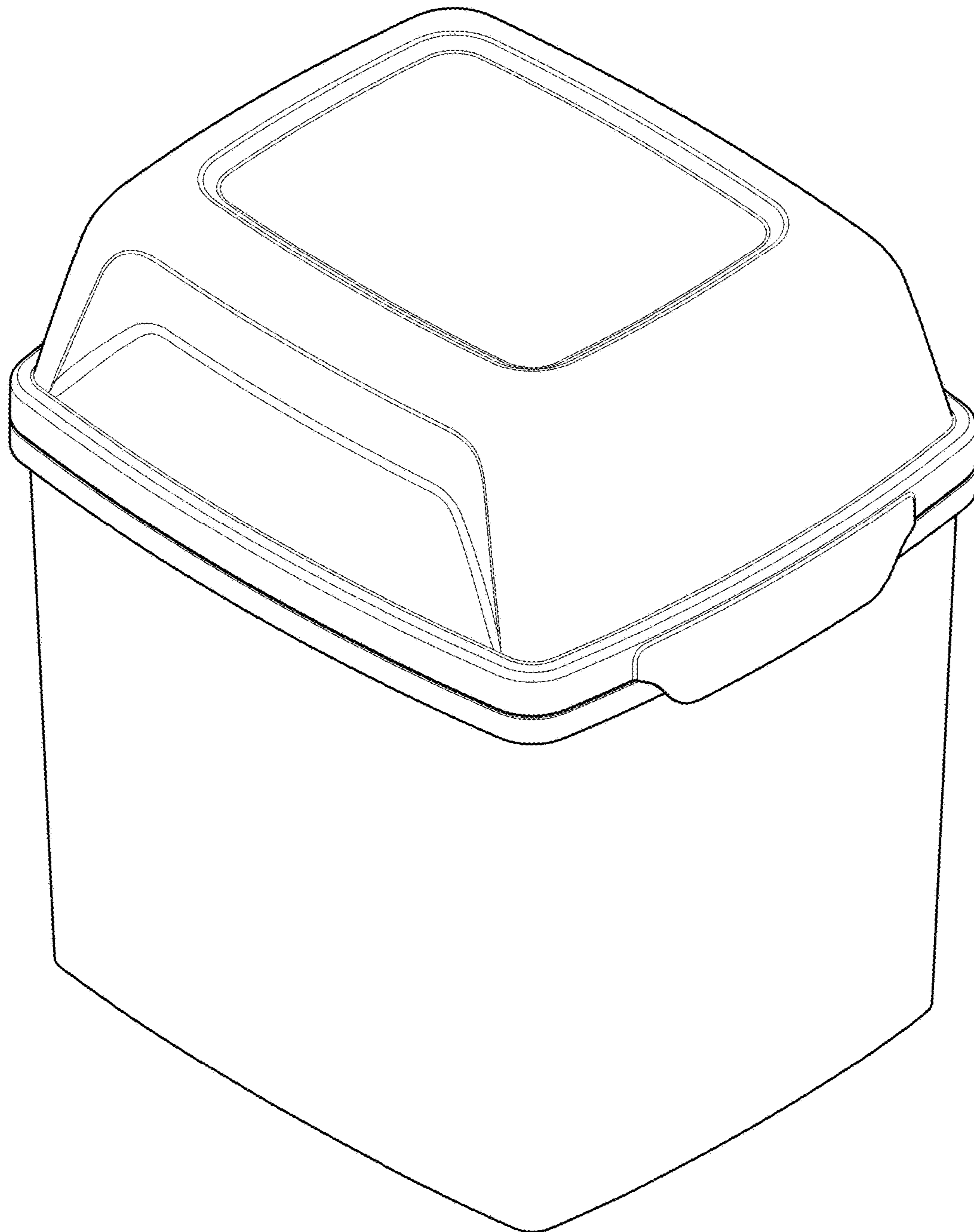


Fig. 7

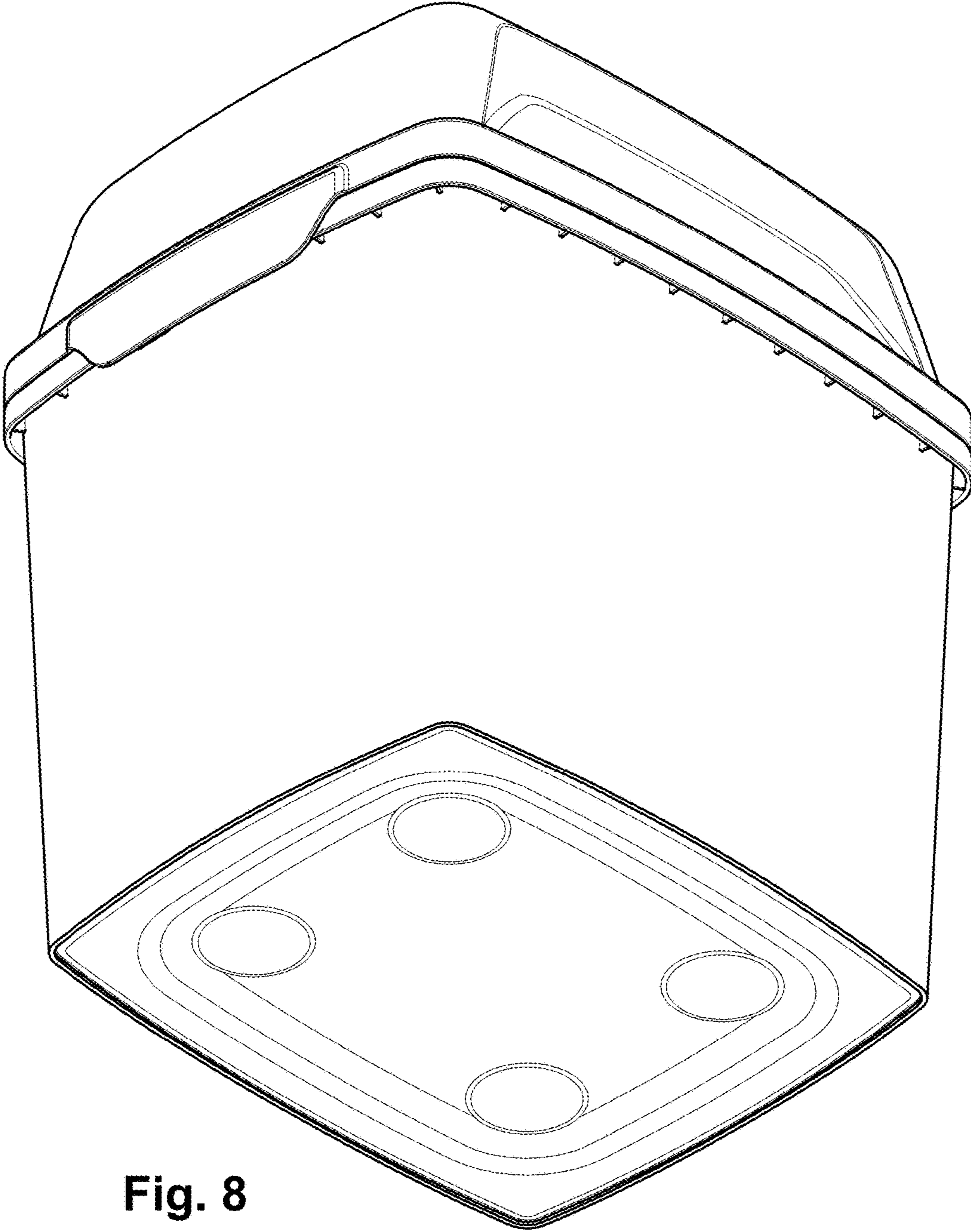


Fig. 8

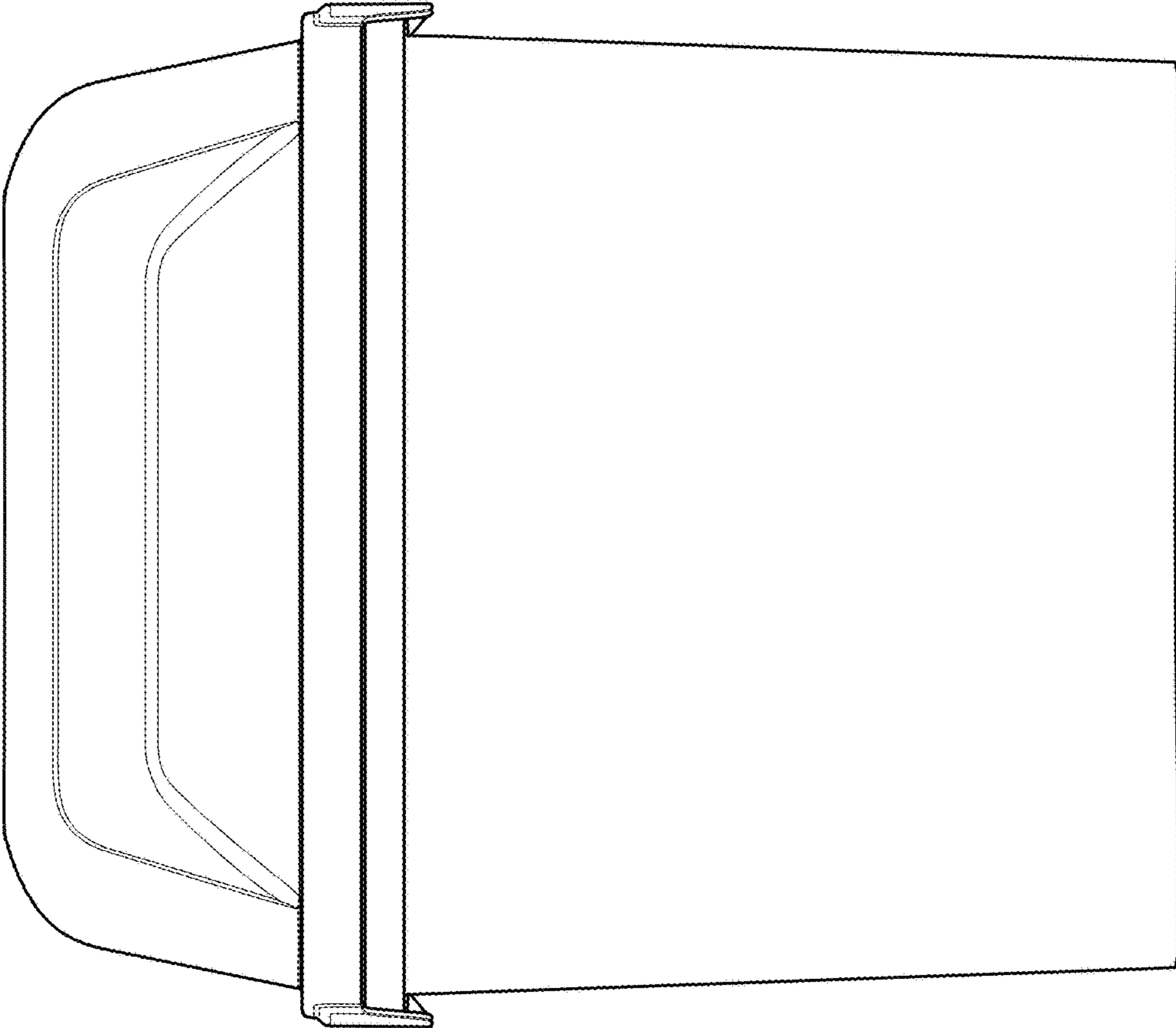


Fig. 9

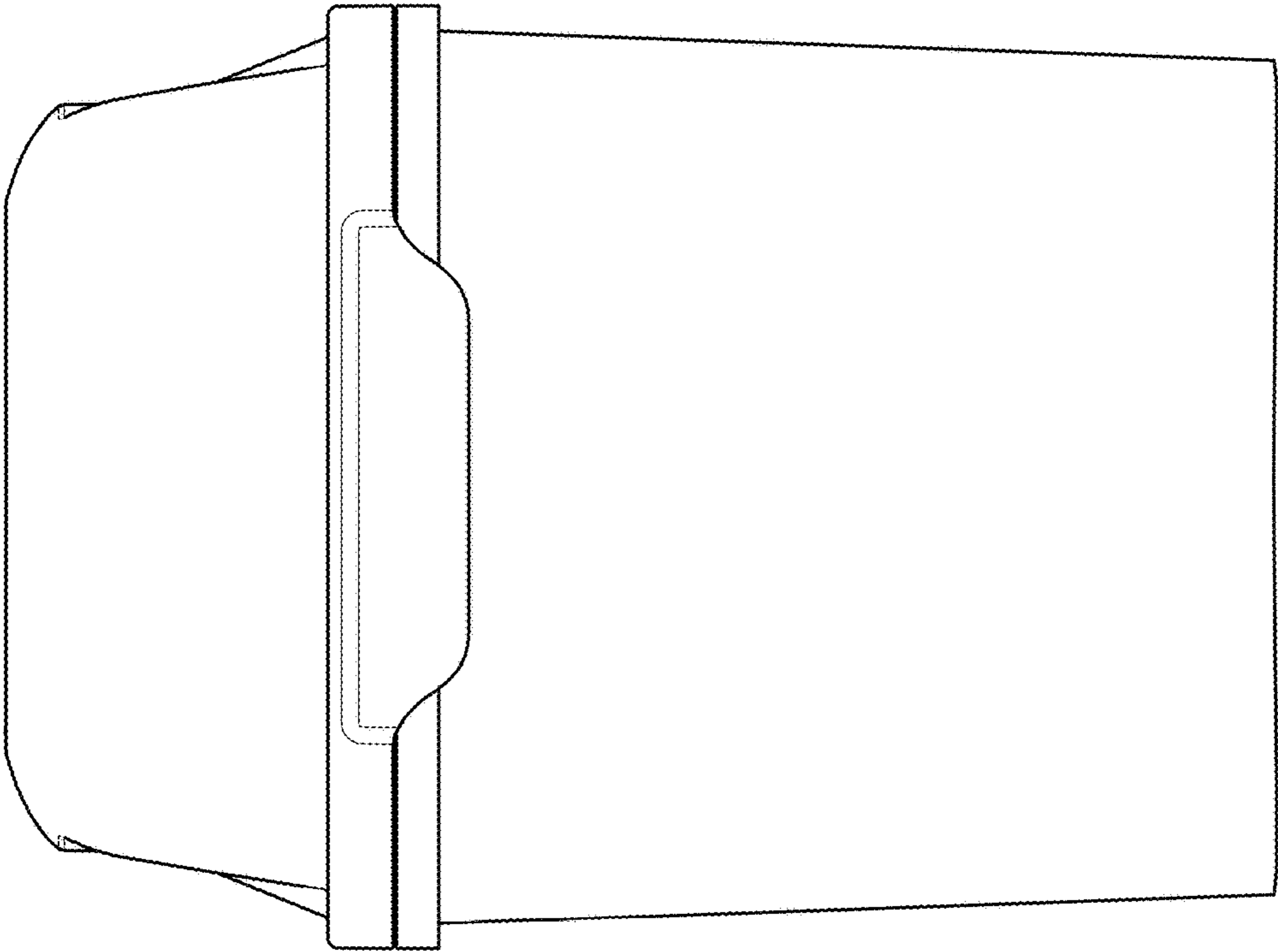


Fig. 10

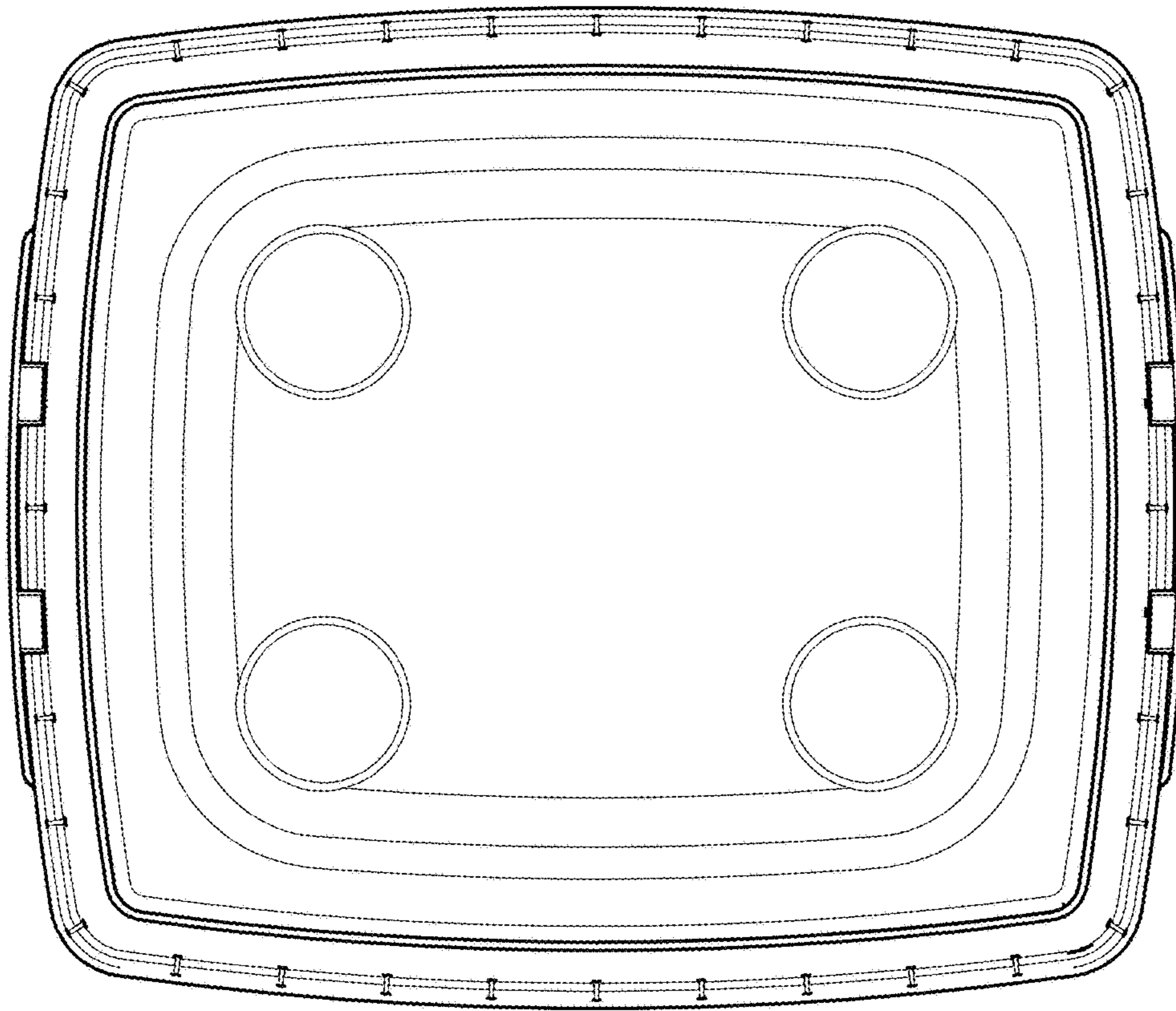


Fig. 12

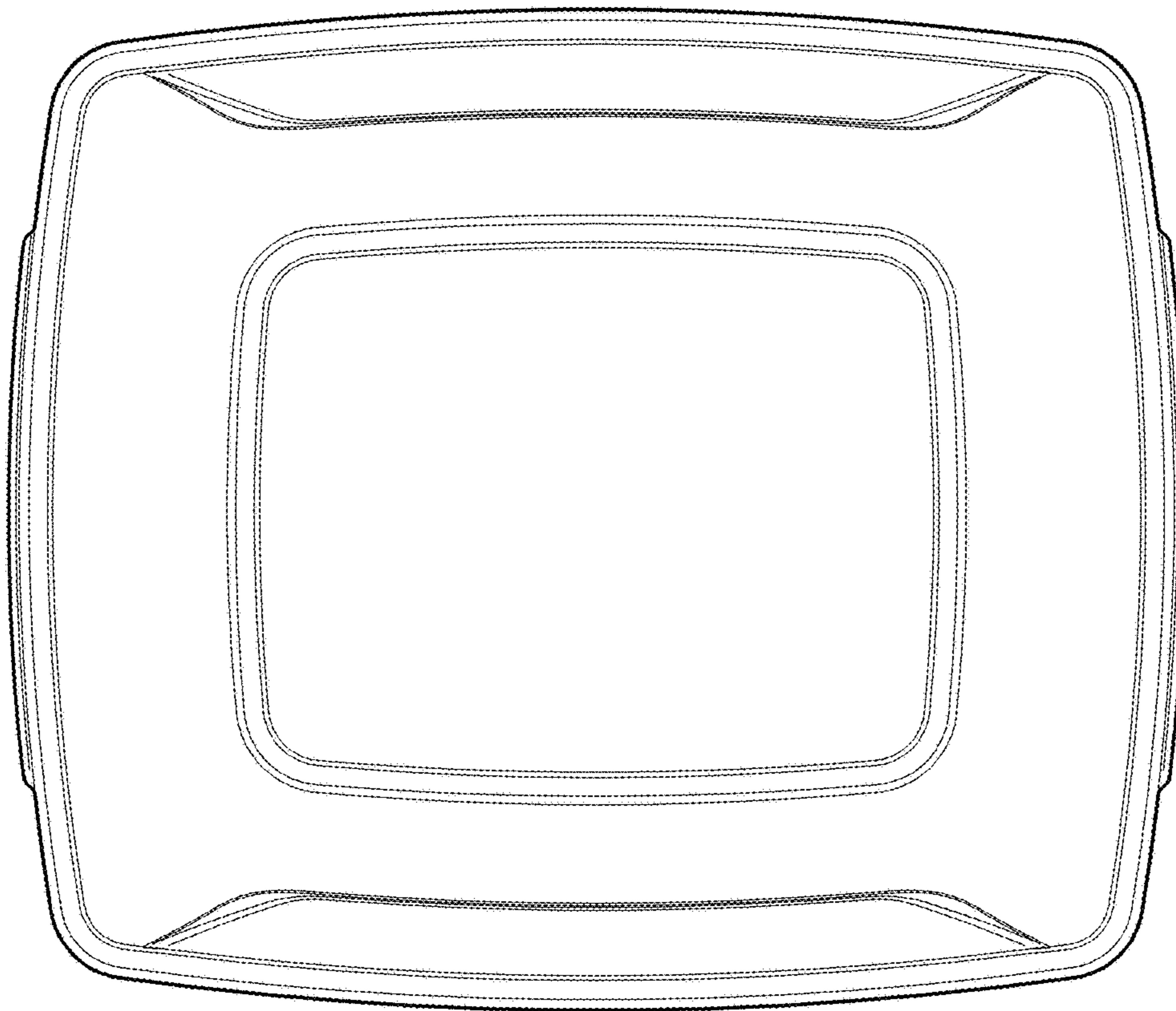


Fig. 11