



US00D772655S

(12) **United States Design Patent**
Jacobsen

(10) **Patent No.:** **US D772,655 S**

(45) **Date of Patent:** **** Nov. 29, 2016**

(54) **LUNCH COOLER**

(71) Applicant: **THERMOS L.L.C.**, Schaumburg, IL
(US)

(72) Inventor: **Anne Jacobsen**, Carpentersville, IL
(US)

(73) Assignee: **THERMOS L.L.C.**, Schaumburg, IL
(US)

(**) Term: **14 Years**

(21) Appl. No.: **29/523,071**

(22) Filed: **Apr. 6, 2015**

(51) **LOC (10) Cl.** **07-01**

(52) **U.S. Cl.**
USPC **D7/605**

(58) **Field of Classification Search**
USPC D3/303; D7/601, 602, 605-609, 629,
D7/701, 703, 709, 710
CPC A45F 5/00; A45F 5/02; A45F 3/16;
A45F 3/04; A45F 3/042; B65D 8/14; B65D
23/08; B65D 81/38; B65D 30/08; B65D
33/16; B65D 23/104; F25D 3/08; A45C
11/20; A45C 2200/20

See application file for complete search history.

(56) **References Cited**

U.S. PATENT DOCUMENTS

4,375,828 A * 3/1983 Biddison A45C 11/20
206/523
5,140,833 A * 8/1992 Whalen A45C 3/10
150/154
D372,399 S * 8/1996 Wang D7/609

* cited by examiner

Primary Examiner — Freda S Nunn

(74) *Attorney, Agent, or Firm* — Polsinelli PC

(57) **CLAIM**

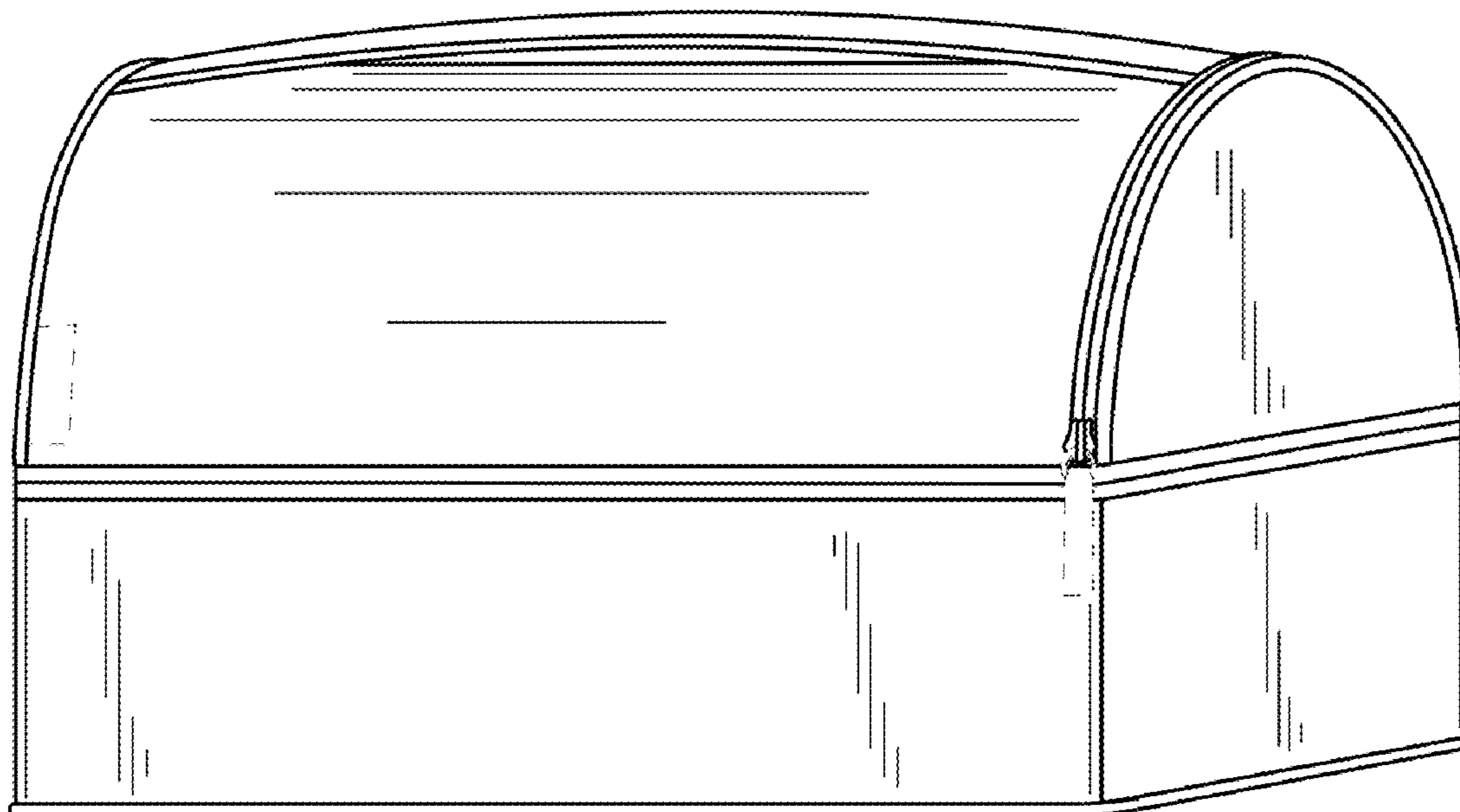
The ornamental design for a lunch cooler, as shown and described.

DESCRIPTION

FIG. 1 is a perspective view of the lunch cooler;
FIG. 2 is a front view of the lunch cooler;
FIG. 3 is a rear view of the lunch cooler;
FIG. 4 is a right side view of the lunch cooler;
FIG. 5 is a left side view of the lunch cooler;
FIG. 6 is a top view of the lunch cooler; and,
FIG. 7 is a bottom view of the lunch cooler.

The broken lines showing in the figures are included for the purpose of illustrating portions of the lunch cooler that form no part of the claimed design.

1 Claim, 4 Drawing Sheets



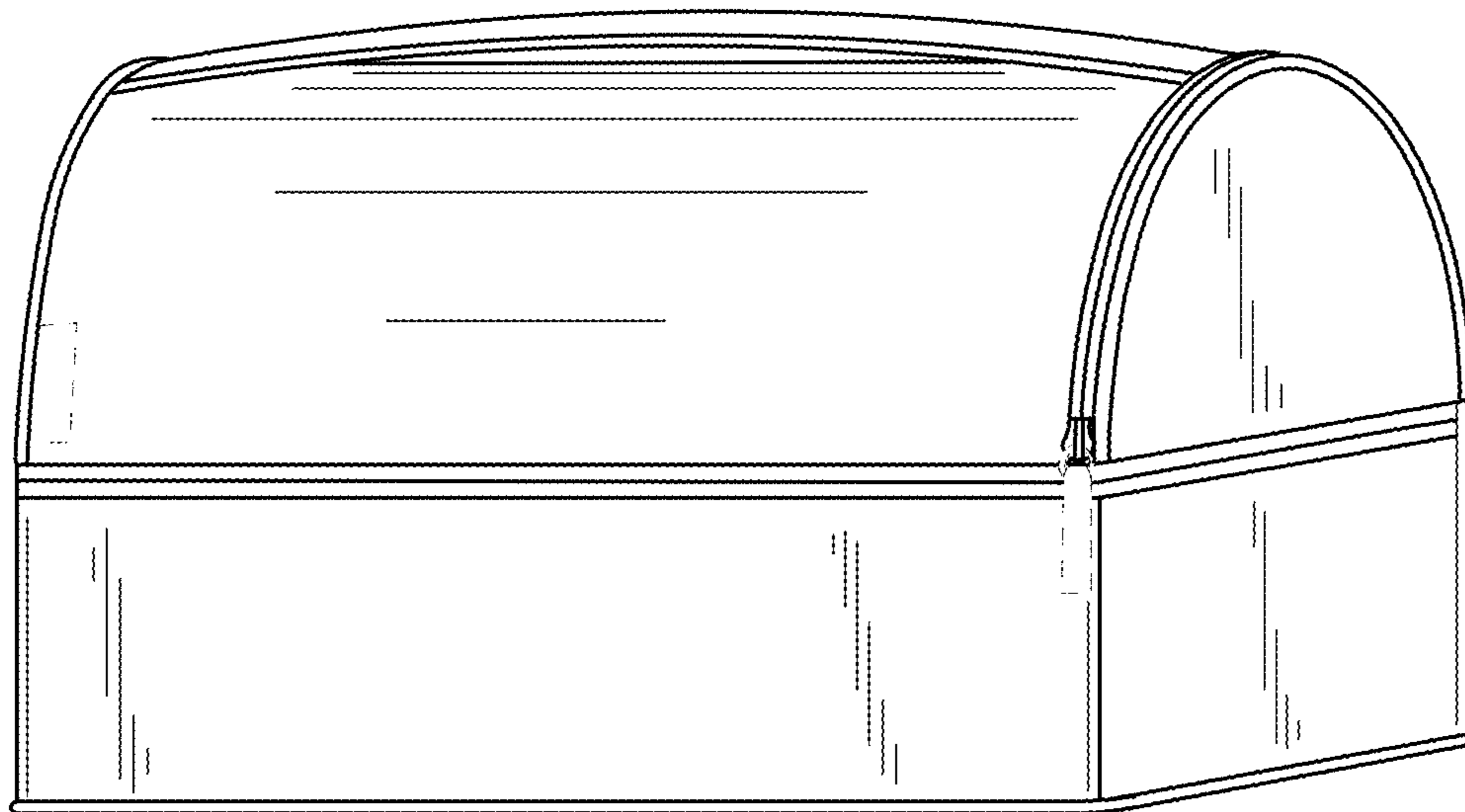


FIG. 1

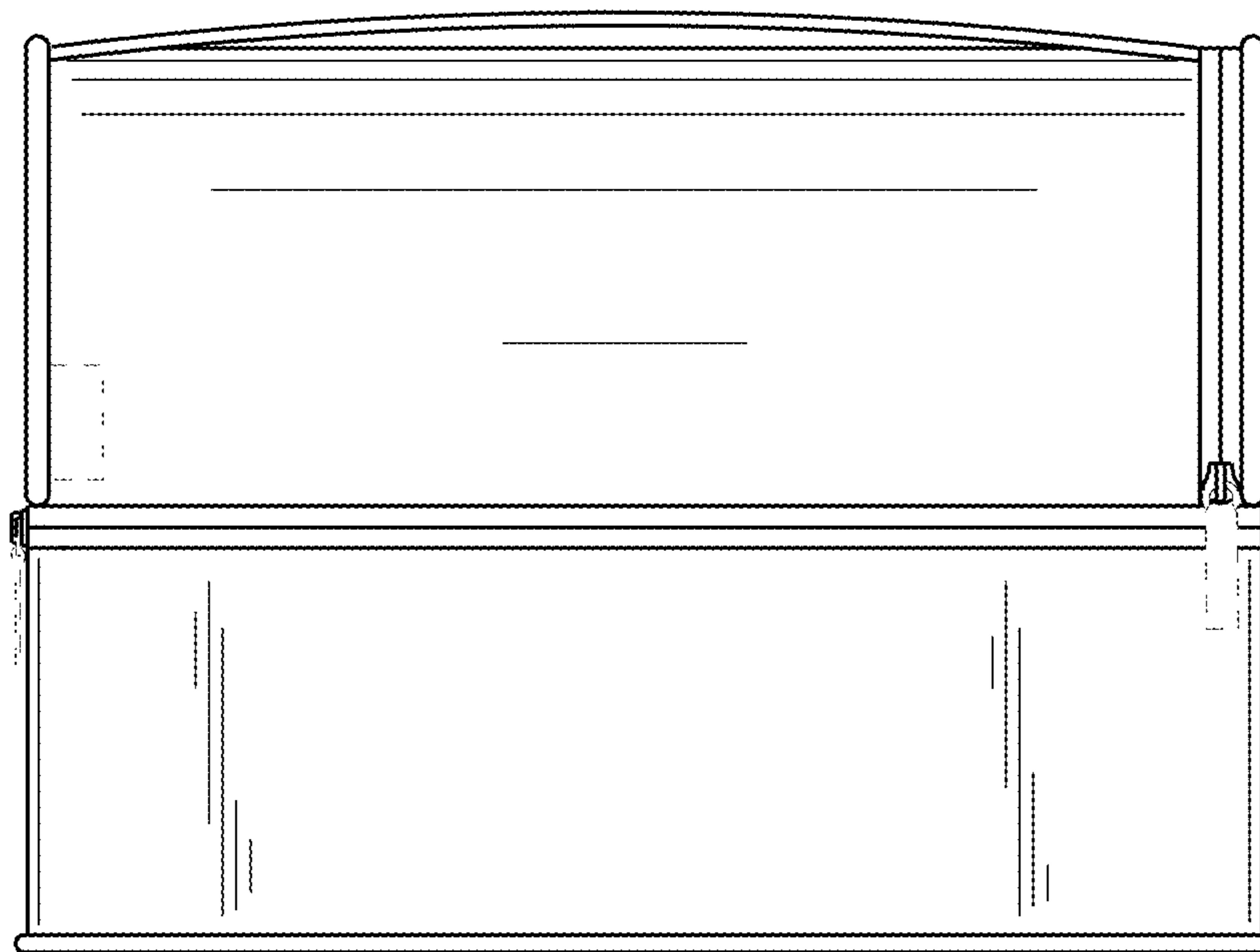


FIG. 2

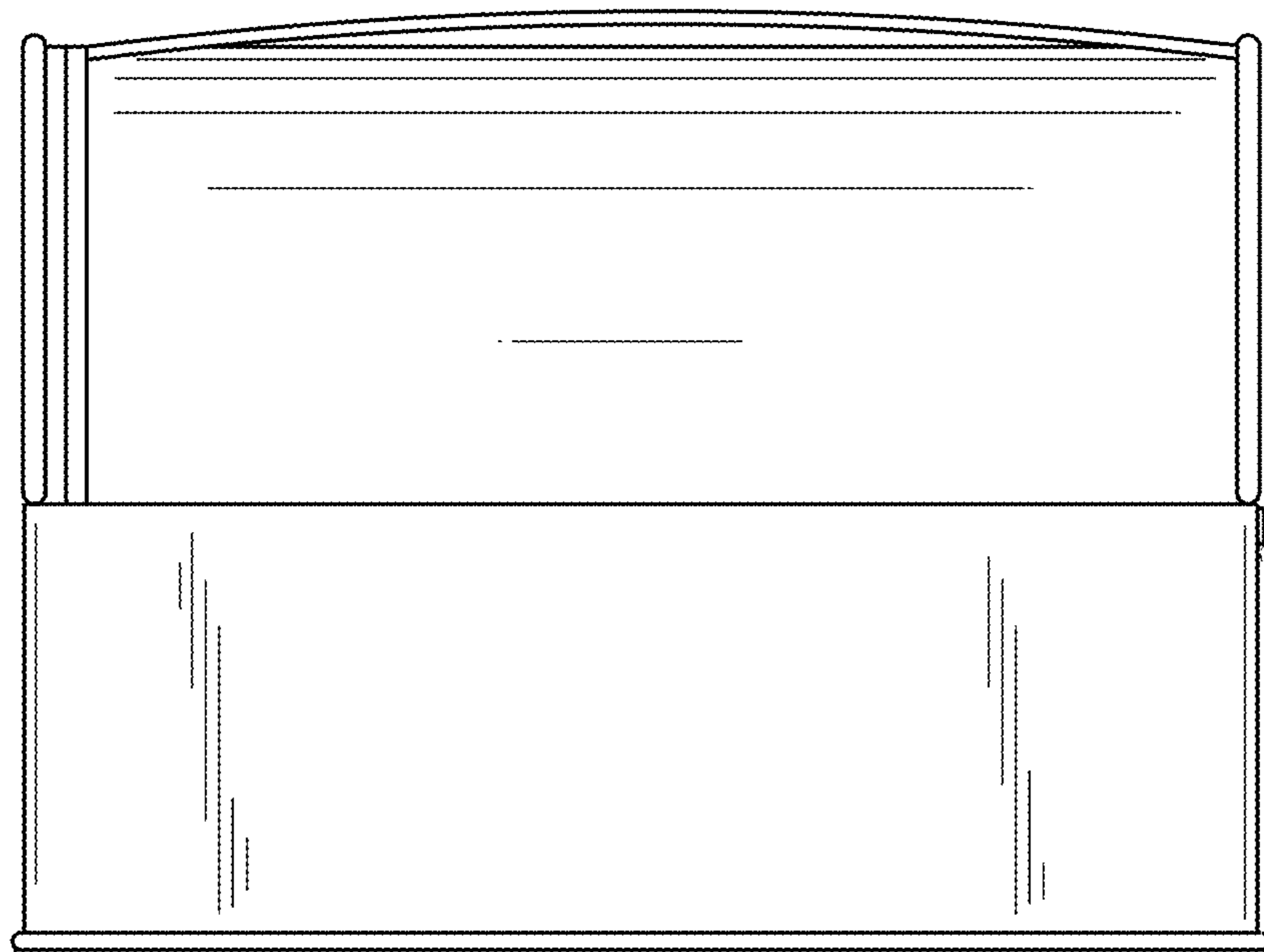


FIG. 3

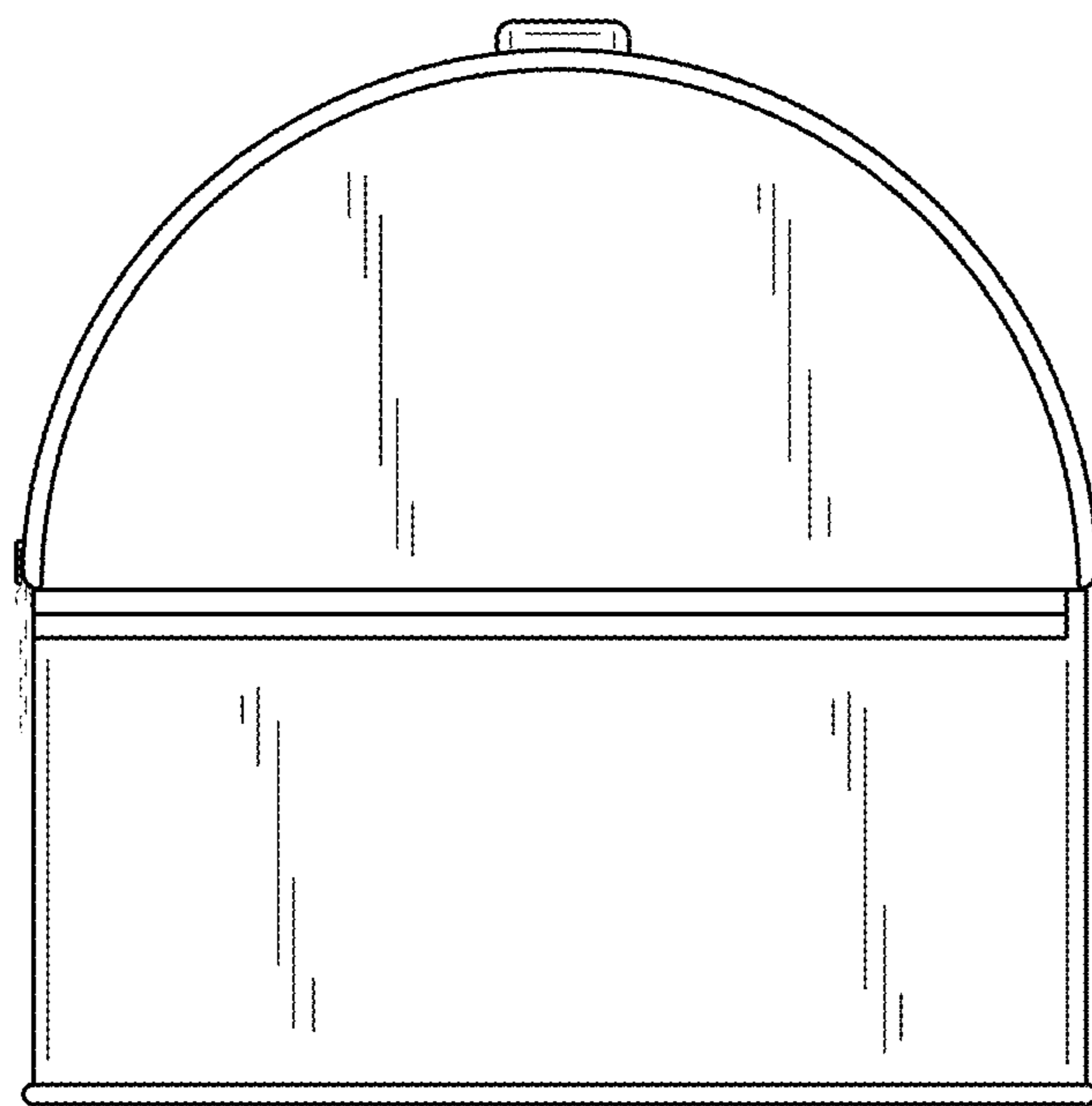


FIG. 4

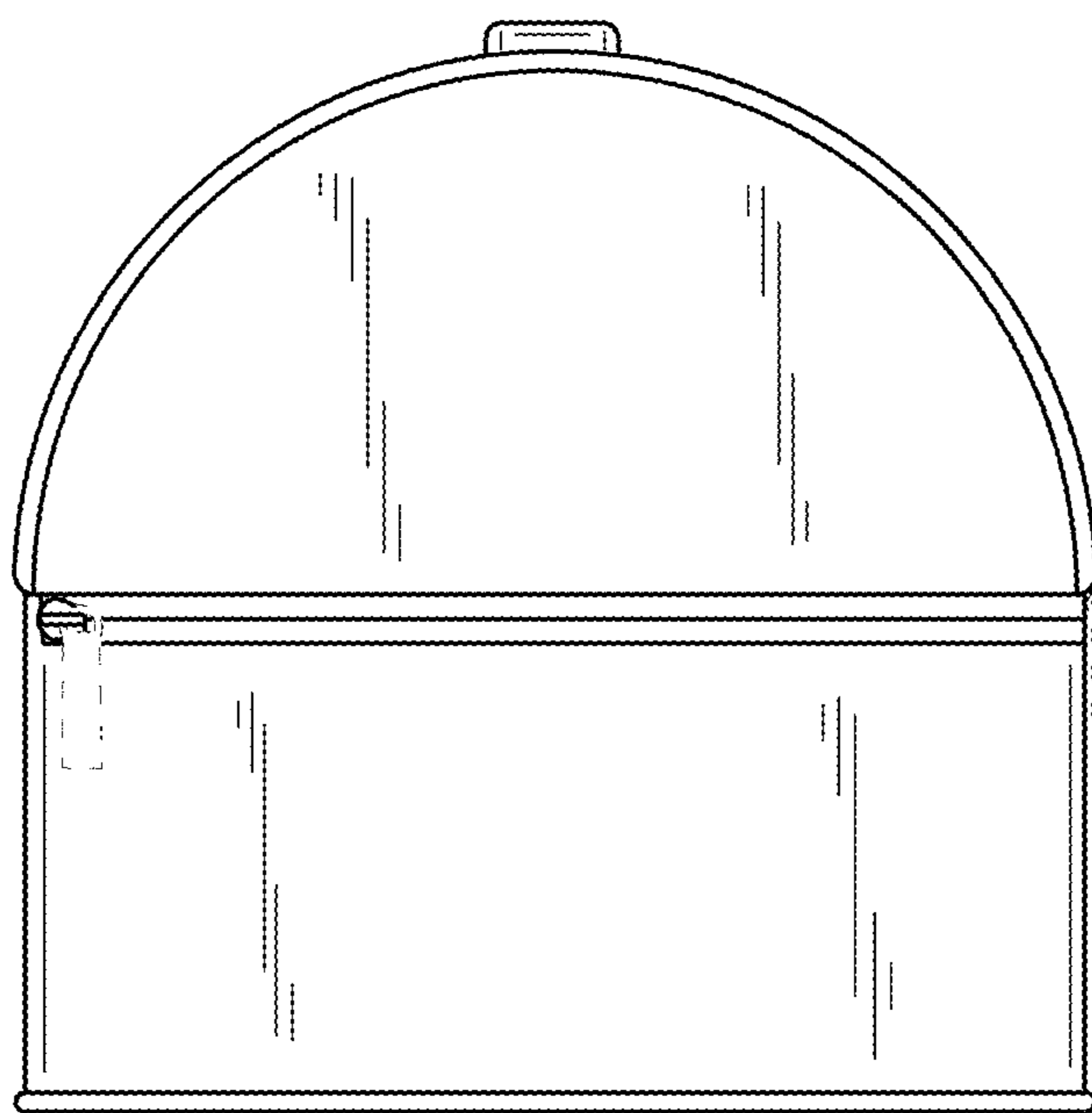


FIG. 5

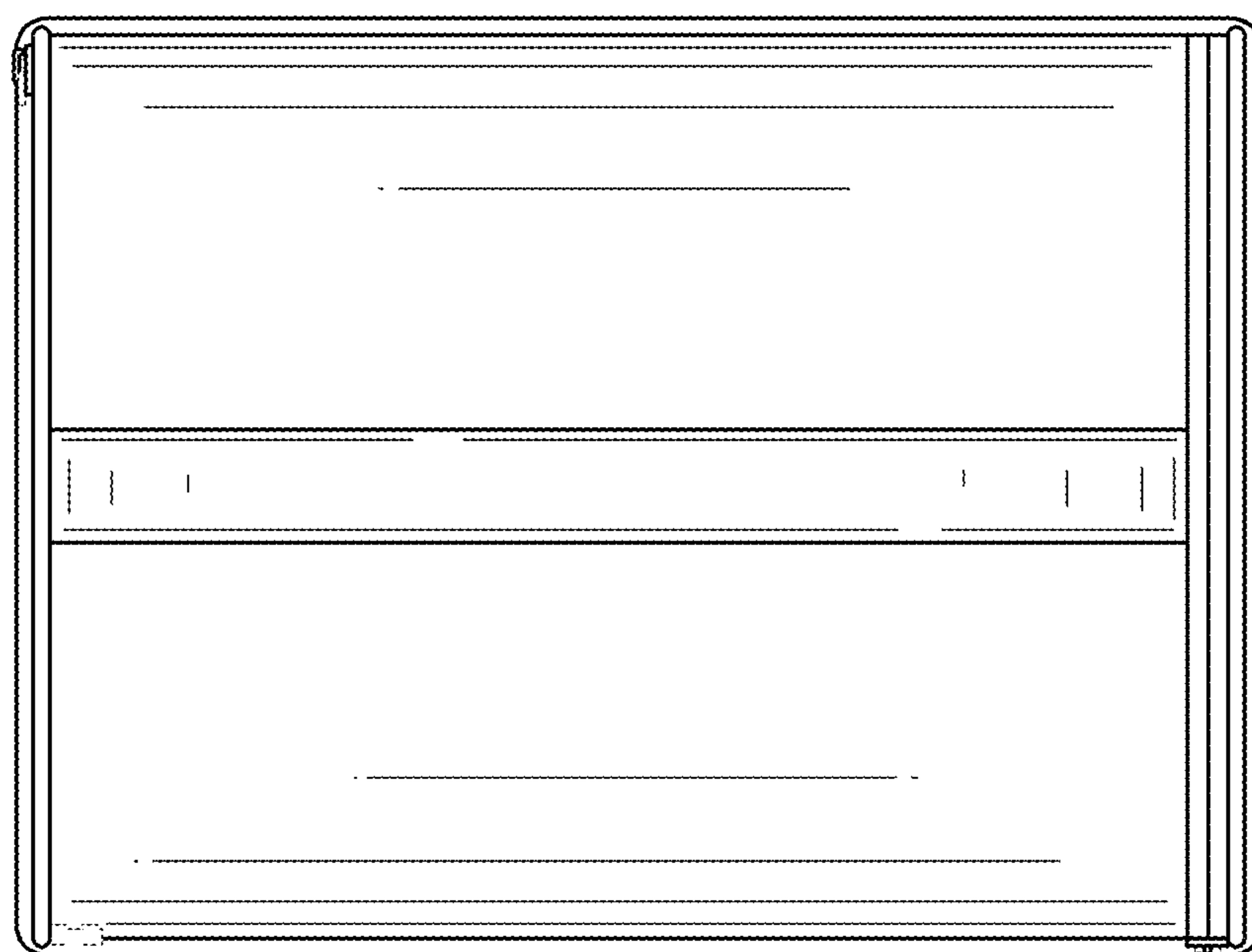


FIG. 6

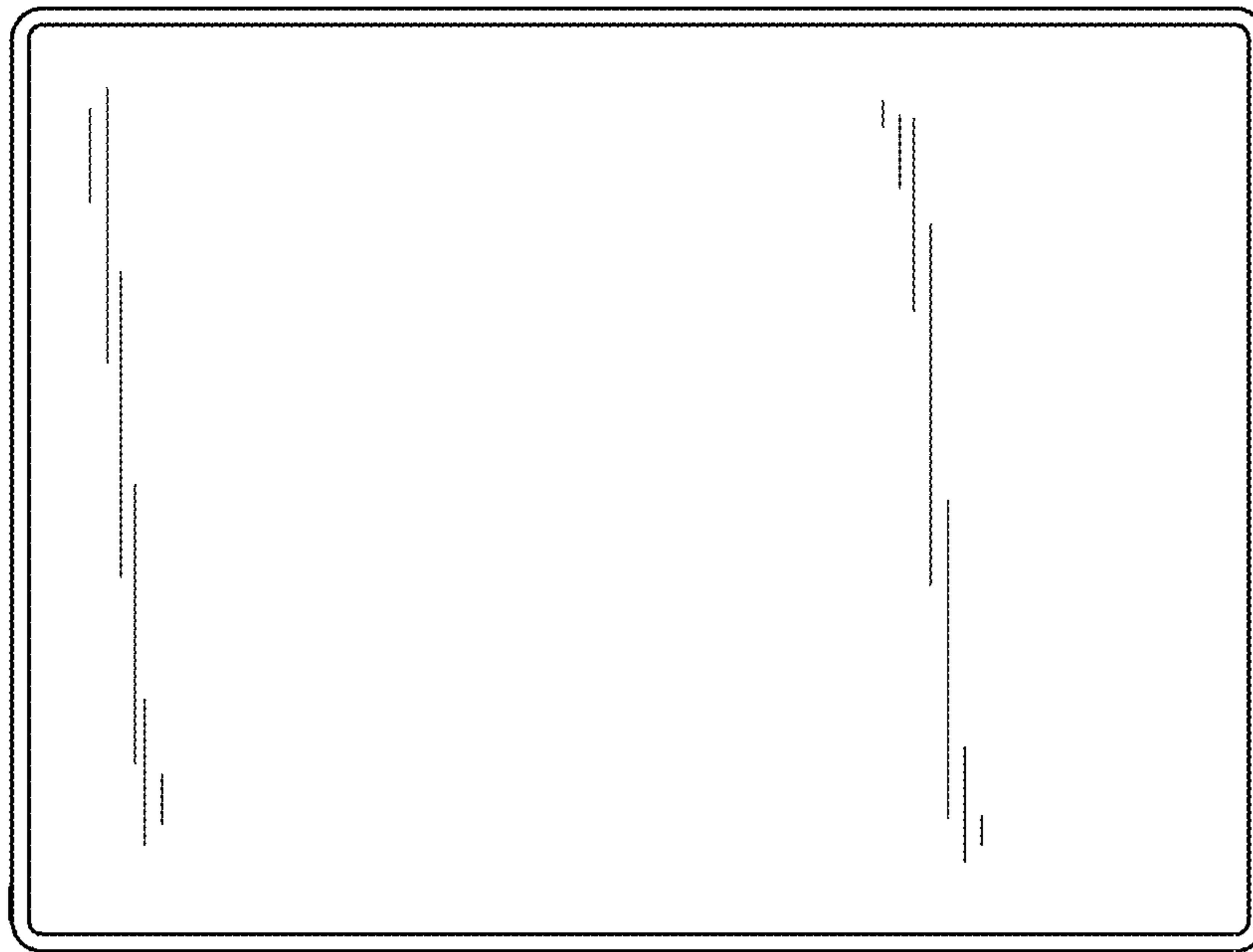


FIG. 7