



US00D772650S

(12) **United States Design Patent** (10) **Patent No.:** **US D772,650 S**
Barquin et al. (45) **Date of Patent:** **** Nov. 29, 2016**

(54) **BLENDER JAR WITH LID**
(71) Applicant: **Spectrum Brands, Inc.**, Middleton, WI (US)
(72) Inventors: **Francisco Javier Barquin**, Madison, WI (US); **Jacob Daniel Smith**, Madison, WI (US); **Kroy Everett Nernberger**, Madison, WI (US); **Daniel Davis Anderson**, Eagan, MN (US)
(73) Assignee: **Spectrum Brands, Inc.**, Middleton, WI (US)
(**) Term: **15 Years**

D499,602 S * 12/2004 Feil D7/378
D512,265 S * 12/2005 McCurrach D7/378
D525,482 S * 7/2006 Kassenaar D7/378
D526,531 S 8/2006 Drees et al.
D533,395 S 12/2006 Drees et al.
D543,072 S * 5/2007 Ting D7/378
D563,164 S * 3/2008 Sands D7/413
D568,096 S * 5/2008 Sun D7/378
D577,537 S 9/2008 Lee
D597,372 S 8/2009 Nordwall et al.
D597,790 S 8/2009 Nordwall et al.
7,581,688 B2 * 9/2009 Mally A47J 43/042
241/30
D617,136 S * 6/2010 Bock D7/378
D660,642 S 5/2012 Boozer et al.
D660,643 S 5/2012 Boozer et al.
D661,947 S 6/2012 Conti et al.

(Continued)

(21) Appl. No.: **29/537,144**
(22) Filed: **Aug. 21, 2015**
(51) **LOC (10) Cl.** **31-00**
(52) **U.S. Cl.**
USPC **D7/413; D7/376; D7/378; D7/386; D7/412**

FOREIGN PATENT DOCUMENTS

CA 128072 S 5/2009
CA 128074 S 5/2009

Primary Examiner — Ricky Pham
(74) Attorney, Agent, or Firm — Banner & Witcoff, Ltd.

(58) **Field of Classification Search**
USPC D7/372, 376–386, 412–413, 602, 629, D7/665–666, 669, 679, 693–694
CPC A21C 1/02; A21C 1/04; A23N 1/00; A23N 1/02; A47J 43/04; A47J 43/25; A47J 43/27; A47J 43/042; A47J 43/044; A47J 43/046; A47J 43/075; A47J 43/0722; A47J 43/0727; B01F 3/00; B01F 3/0807; B01F 3/0853; B01F 13/0059; B01F 13/0064; B02C 1/08; B02C 2/04; B02C 4/42; B02C 4/142; B02C 4/143; B02C 4/423; B02C 13/1835; B28C 5/10; B28C 5/12; B28C 5/14; B28C 5/16
See application file for complete search history.

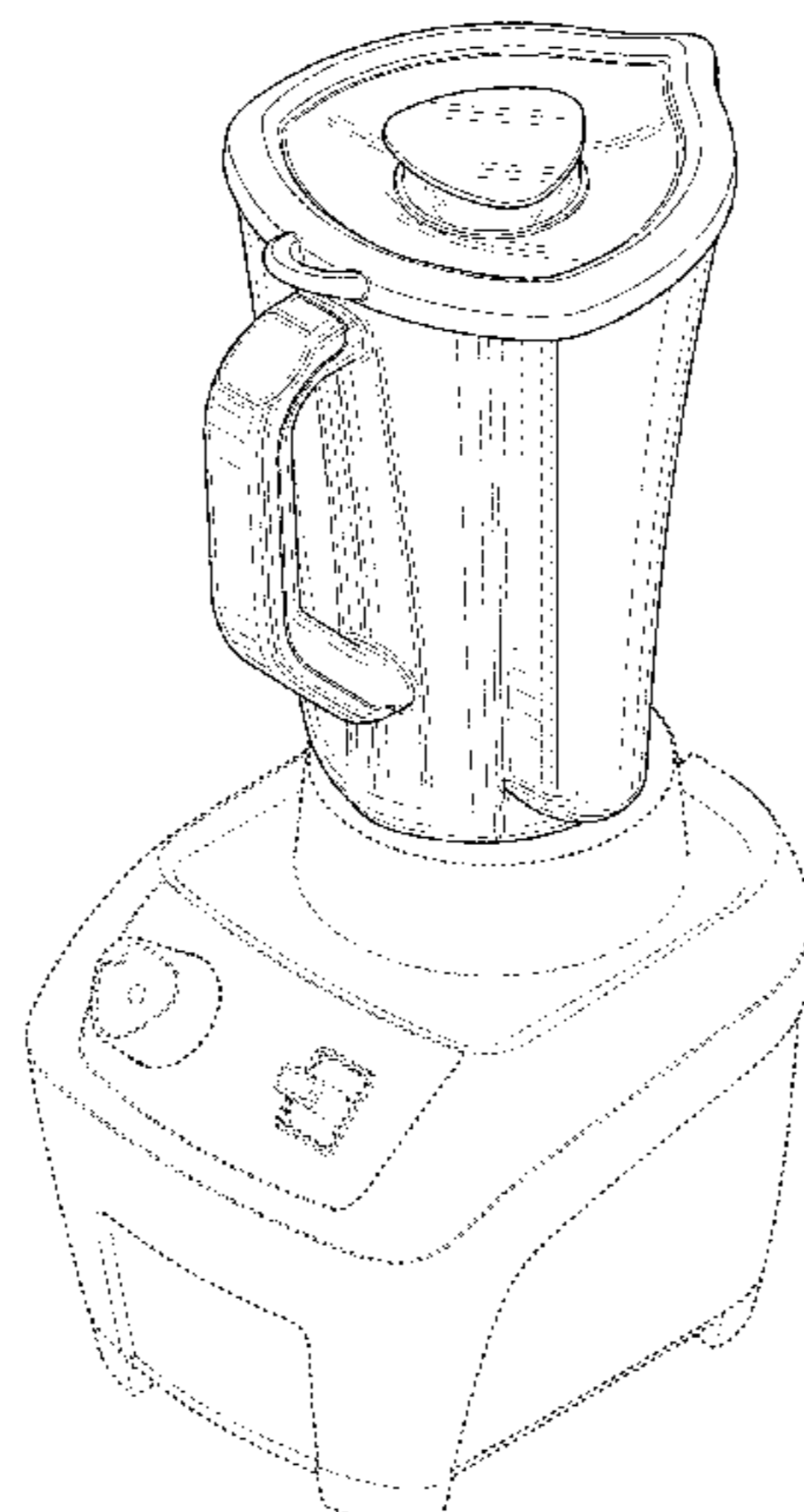
(57) **CLAIM**
The ornamental design for a blender jar with lid, as shown and described.

DESCRIPTION

FIG. 1 is a front perspective view of a blender jar with lid showing our new design;
FIG. 2 is a left side view thereof;
FIG. 3 is a right side view thereof;
FIG. 4 is a front view thereof;
FIG. 5 is a top view thereof; and,
FIG. 6 is a rear view thereof.
The broken line showing of the entire blender base is for environmental purposes only and forms no part of the claimed design.

(56) **References Cited**
U.S. PATENT DOCUMENTS
D220,416 S * 4/1971 Folden D7/413
D386,355 S * 11/1997 Davidson D7/378

1 Claim, 6 Drawing Sheets



(56)

References Cited

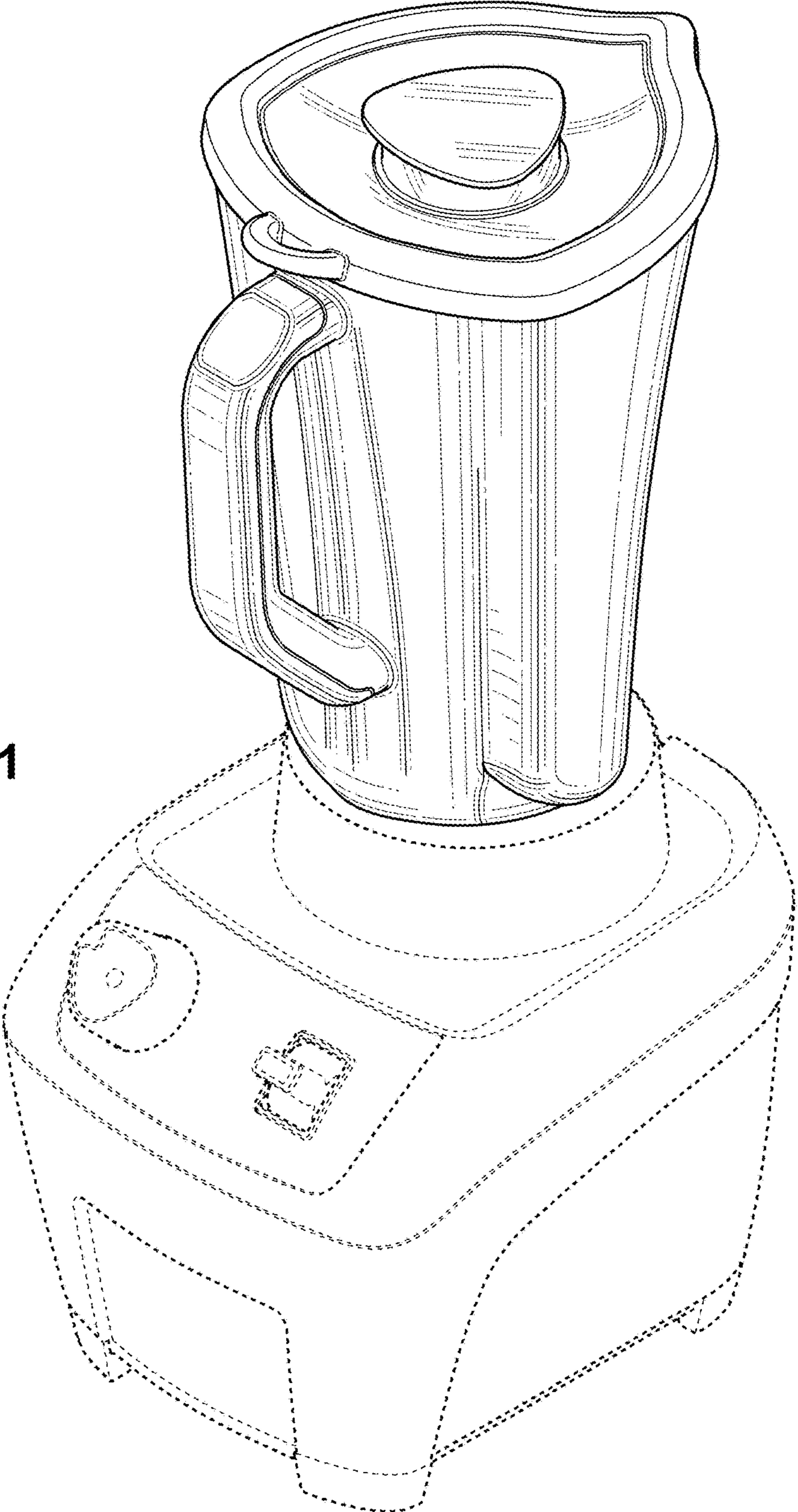
U.S. PATENT DOCUMENTS

D694,573 S 12/2013 Norland et al.
D694,574 S 12/2013 Norland et al.
D694,582 S 12/2013 Norland

D694,583 S 12/2013 Norland
D728,303 S * 5/2015 Vu D7/376
D734,978 S * 7/2015 Sanguinetti D7/376
D745,317 S * 12/2015 Dichraff D7/376

* cited by examiner

FIG. 1



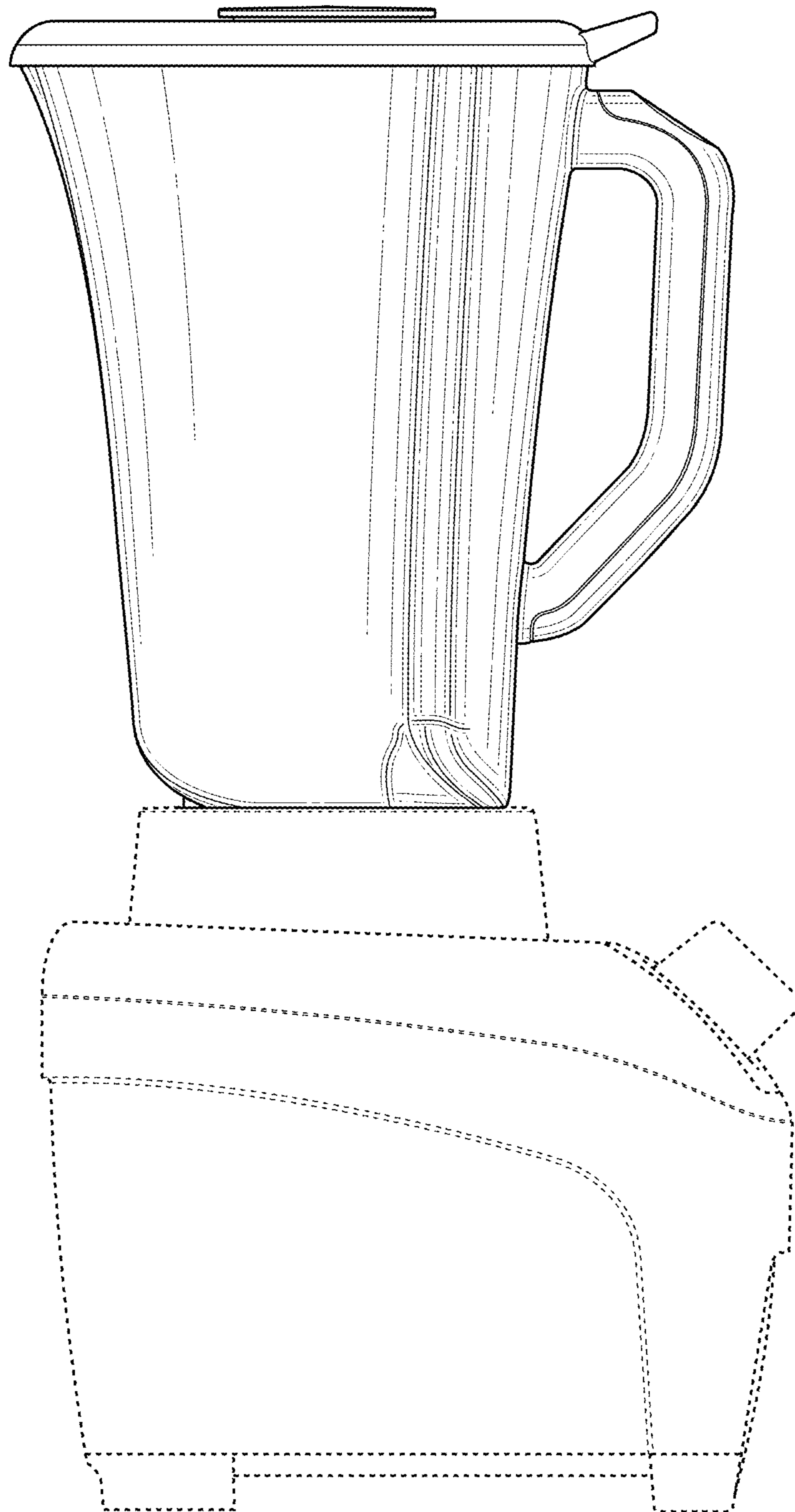


FIG. 2

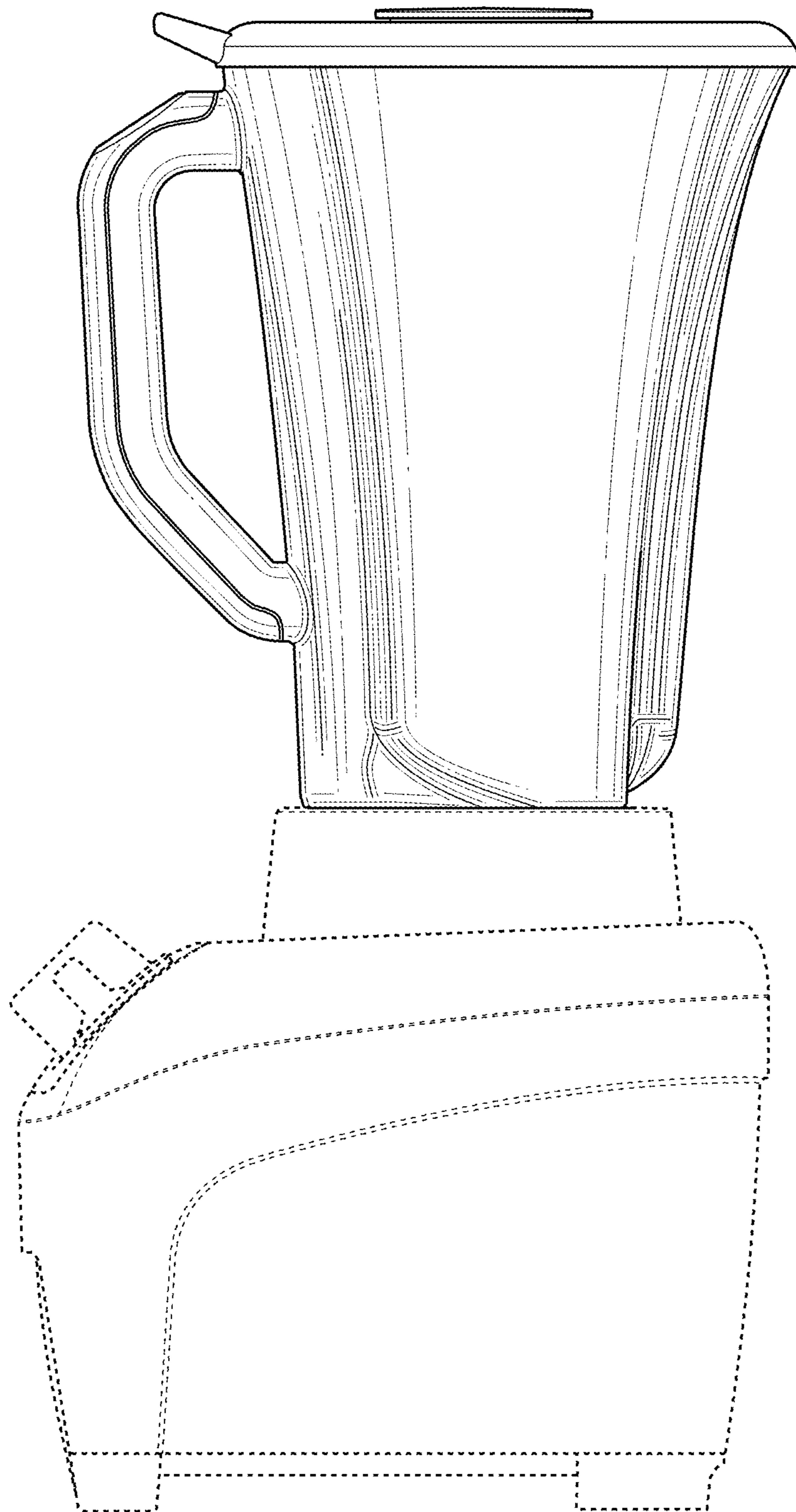


FIG. 3

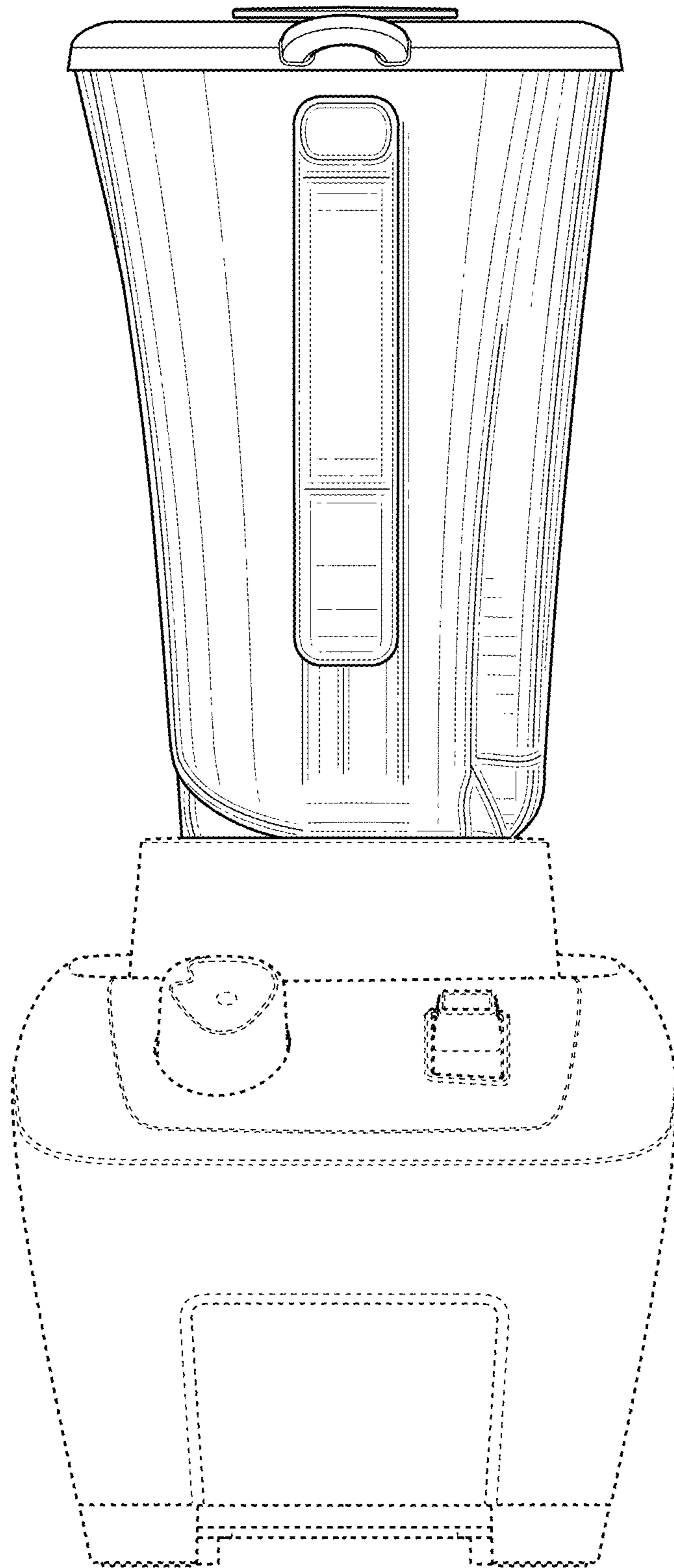


FIG. 4

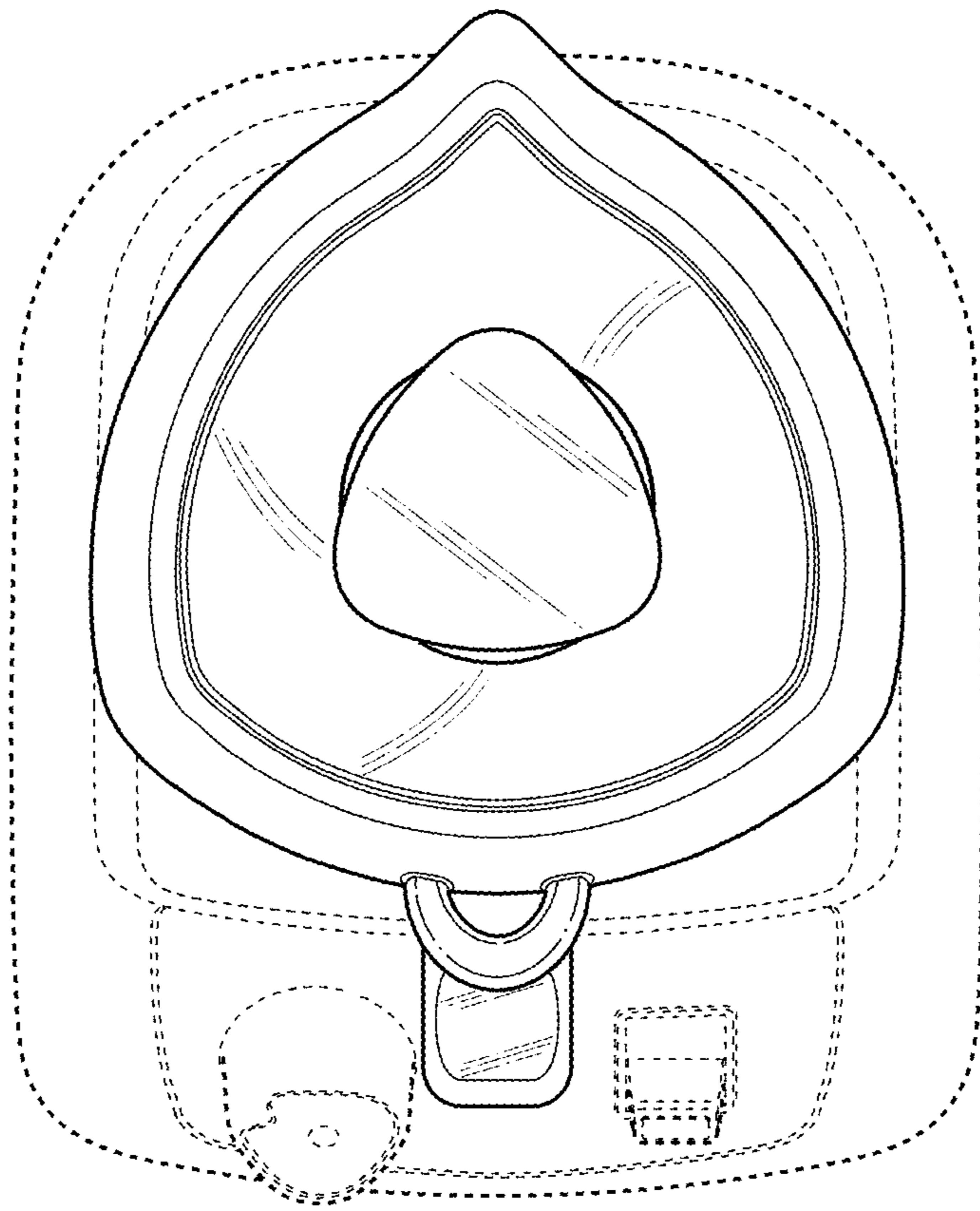


FIG. 5

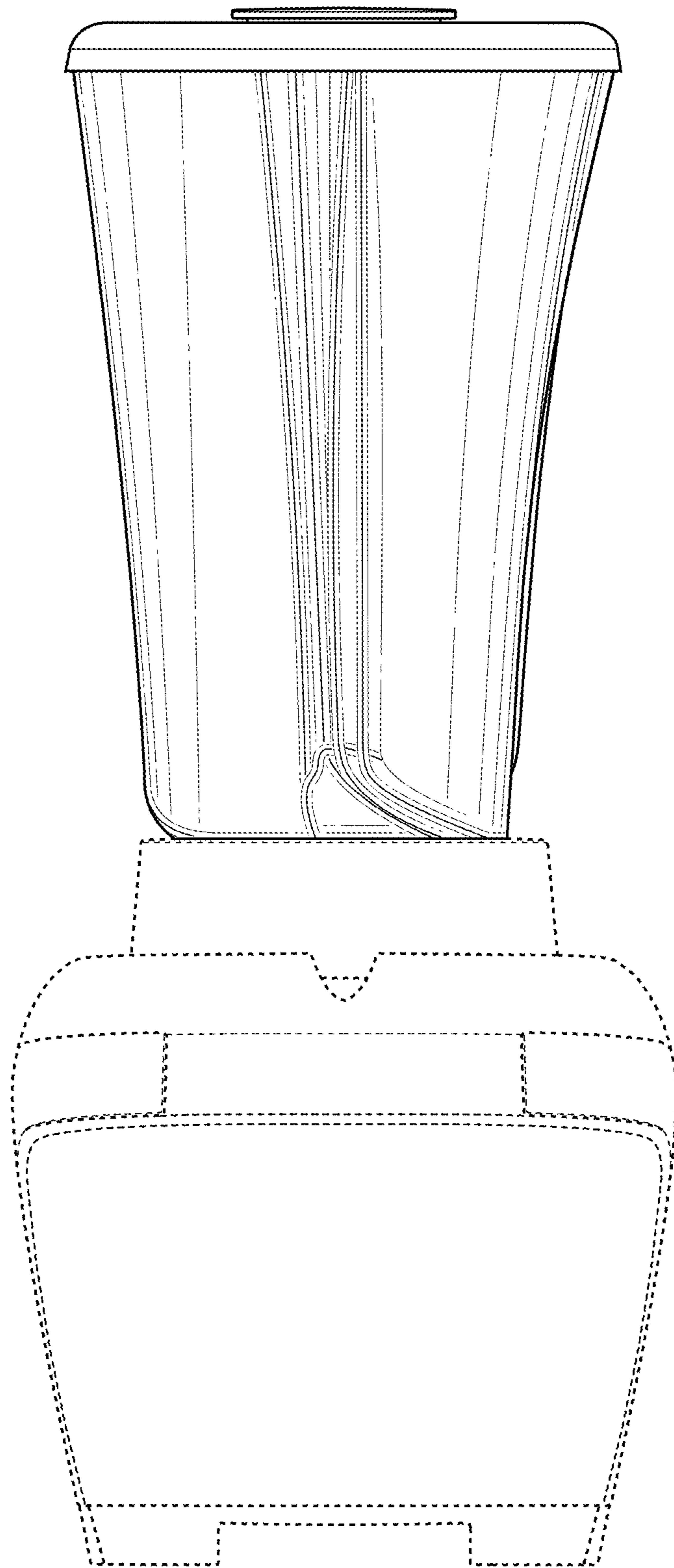


FIG. 6