



US00D772649S

(12) **United States Design Patent** (10) **Patent No.:** **US D772,649 S**
Kettavong (45) **Date of Patent:** **** Nov. 29, 2016**

(54) **TAMPER HOLDER**

(56) **References Cited**

(71) Applicant: **Vita-Mix Corporation**, Olmstead Township, OH (US)

U.S. PATENT DOCUMENTS

(72) Inventor: **Phonesacksith Guy Kettavong**, Kent, OH (US)

969,524 A * 9/1910 Condon F41B 13/04
224/247

(73) Assignee: **Vita-Mix Management Corporation**, Olmsted Township, OH (US)

1,305,777 A 6/1919 Cunningham

2,286,012 A 6/1942 Rochow

2,481,731 A 9/1949 Dubin

2,606,689 A 8/1952 Kistner

2,802,605 A 8/1957 Parker

2,919,086 A 12/1959 McMahan

3,107,711 A 10/1963 Azmus

3,407,429 A 10/1968 Di Nardo

D226,623 S * 4/1973 Shuford 220/741

(**) Term: **15 Years**

(Continued)

(21) Appl. No.: **29/533,502**

(22) Filed: **Jul. 17, 2015**

OTHER PUBLICATIONS

Related U.S. Application Data

Blane R. Copenheaver, International Search Report, PCT/US2014/071462, Apr. 17, 2015, ISA/US, Alexandria, Virginia.

(Continued)

(62) Division of application No. 29/499,803, filed on Aug. 19, 2014, now abandoned.

(51) **LOC (10) Cl.** **31-00**

Primary Examiner — Ricky Pham

(52) **U.S. Cl.**

(74) *Attorney, Agent, or Firm* — McDonald Hopkins LLC

USPC **D7/412**; D7/376; D7/378

(57) **CLAIM**

(58) **Field of Classification Search**

The ornamental design for a tamper holder, as shown and described.

USPC D7/372, 376–386, 412–413, 602, 620, D7/629, 637, 665–666, 669, 679, D7/693–694; D28/73

DESCRIPTION

CPC A21C 1/02; A21C 1/04; A23N 1/00; A23N 1/02; A45F 5/02; A47G 23/0225; A47J 43/04; A47J 43/25; A47J 43/27; A47J 43/042; A47J 43/044; A47J 43/046; A47J 43/075; A47J 43/0722; A47J 43/0727; A47K 1/08; A47K 1/09; B01F 3/00; B01F 3/0807; B01F 3/0853; B01F 13/0059; B01F 13/0064; B02C 1/08; B02C 2/04; B02C 4/42; B02C 4/142; B02C 4/143; B02C 4/423; B02C 13/1835; B28C 5/10; B28C 5/12; B28C 5/14; B28C 5/16; B60N 3/103; F41B 13/04

FIG. 1 is a perspective view of a tamper holder showing my new design;

FIG. 2 is a first side view thereof;

FIG. 3 is a second side view thereof;

FIG. 4 is a front view thereof;

FIG. 5 is a rear view thereof;

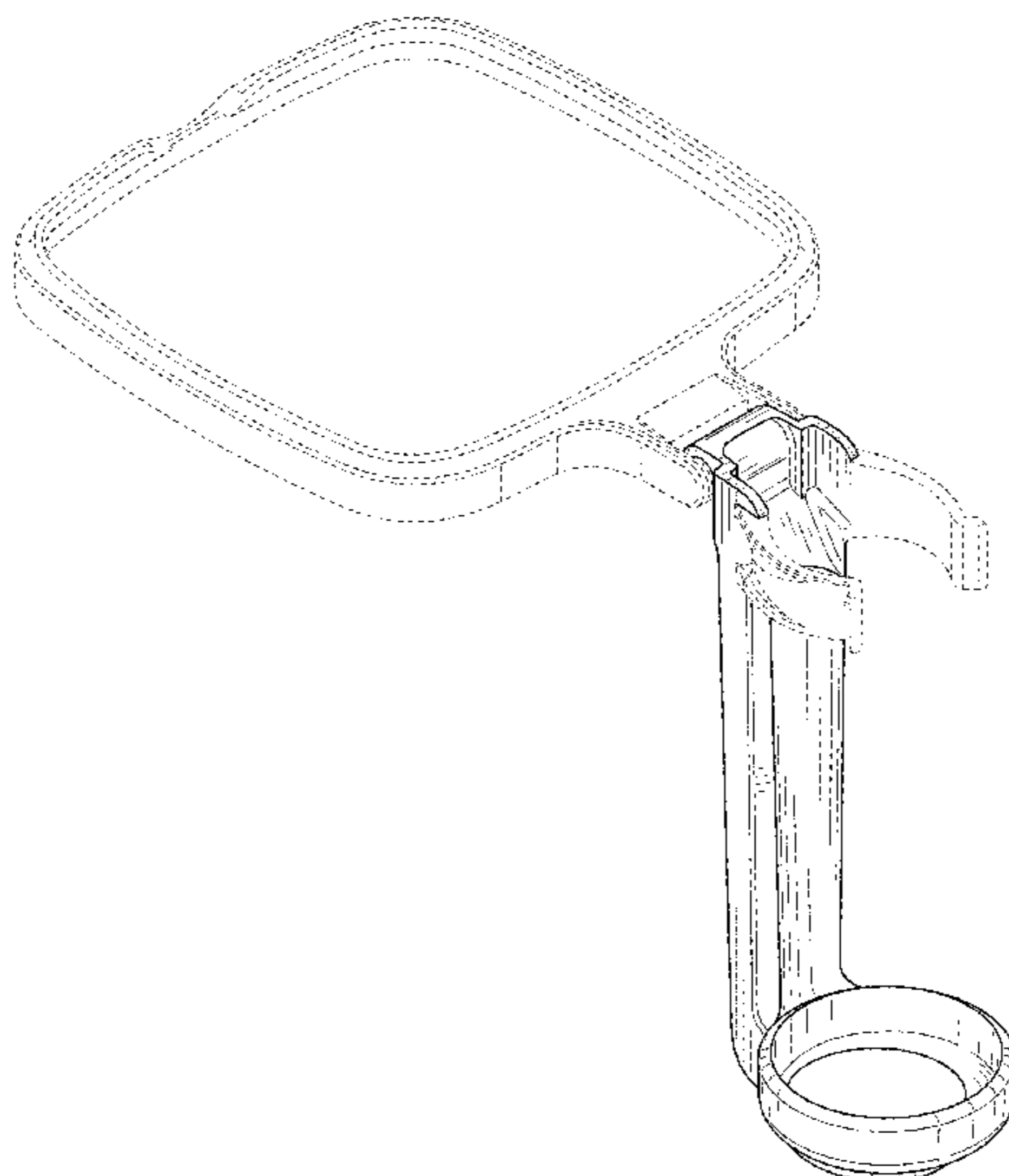
FIG. 6 is a top view thereof; and,

FIG. 7 is a bottom view thereof.

The broken lines in the figures are included for the purpose of illustrating portions of a tamper holder and form no part of the claimed design.

See application file for complete search history.

1 Claim, 7 Drawing Sheets



(56)

References Cited

U.S. PATENT DOCUMENTS

4,561,782 A 12/1985 Jacobsen
 4,634,089 A * 1/1987 Wright B6N 3/103
 248/205.2
 4,767,092 A * 8/1988 Weatherly A47K 1/08
 248/214
 4,790,503 A 12/1988 Pohler
 4,993,611 A 2/1991 Longo
 5,042,770 A * 8/1991 Louthan A47K 1/09
 248/205.3
 5,232,137 A * 8/1993 Devine A45F 5/02
 222/175
 5,302,021 A 4/1994 Jennett
 5,361,950 A 11/1994 Signal
 D358,967 S * 6/1995 Knighton D7/620
 D379,288 S * 5/1997 Azar D7/620
 5,662,032 A 9/1997 Baratta
 5,887,830 A 3/1999 Liang
 5,979,673 A 11/1999 Dooley
 5,996,957 A * 12/1999 Kurtz A47G 23/0225
 248/231.21
 6,237,802 B1 5/2001 Douglas
 D453,322 S 2/2002 Lee
 D458,086 S 6/2002 Marks et al.
 6,663,068 B2 * 12/2003 Huang A47G 23/0225
 224/926
 6,832,543 B2 12/2004 Siano
 D505,390 S 5/2005 Lee et al.

7,040,799 B2 5/2006 Pryor
 D539,102 S * 3/2007 Goodman D7/601
 D550,513 S * 9/2007 Mazza D7/620
 D551,915 S 10/2007 Chang Chien
 D603,660 S 11/2009 Holcomb et al.
 7,648,264 B2 1/2010 Breviere et al.
 D660,643 S 5/2012 Boozer et al.
 8,172,454 B2 5/2012 Choi
 D666,056 S 8/2012 Boozer et al.
 D669,636 S * 10/2012 Goodman D28/38
 D702,078 S 4/2014 Coakley et al.
 8,740,159 B2 6/2014 Braun
 2005/0023940 A1 2/2005 Van Beusekom
 2005/0236531 A1 10/2005 Joeckel
 2008/0035590 A1 2/2008 Huang
 2009/0129200 A1 5/2009 Breviere et al.
 2010/0232256 A1 9/2010 Pryor, Jr.
 2014/0034795 A1 2/2014 Brinkmann

OTHER PUBLICATIONS

Blane R. Copenheaver, Written Opinion of International Searching Authority PCT/US2014/071462, Apr. 17, 2015, ISA/US, Alexandria, Virginia.
 US Office Action Communication, U.S. Appl. No. 14/577,391, notification date Oct. 16, 2015, 12 pgs., US Patent and Trademark Office.

* cited by examiner

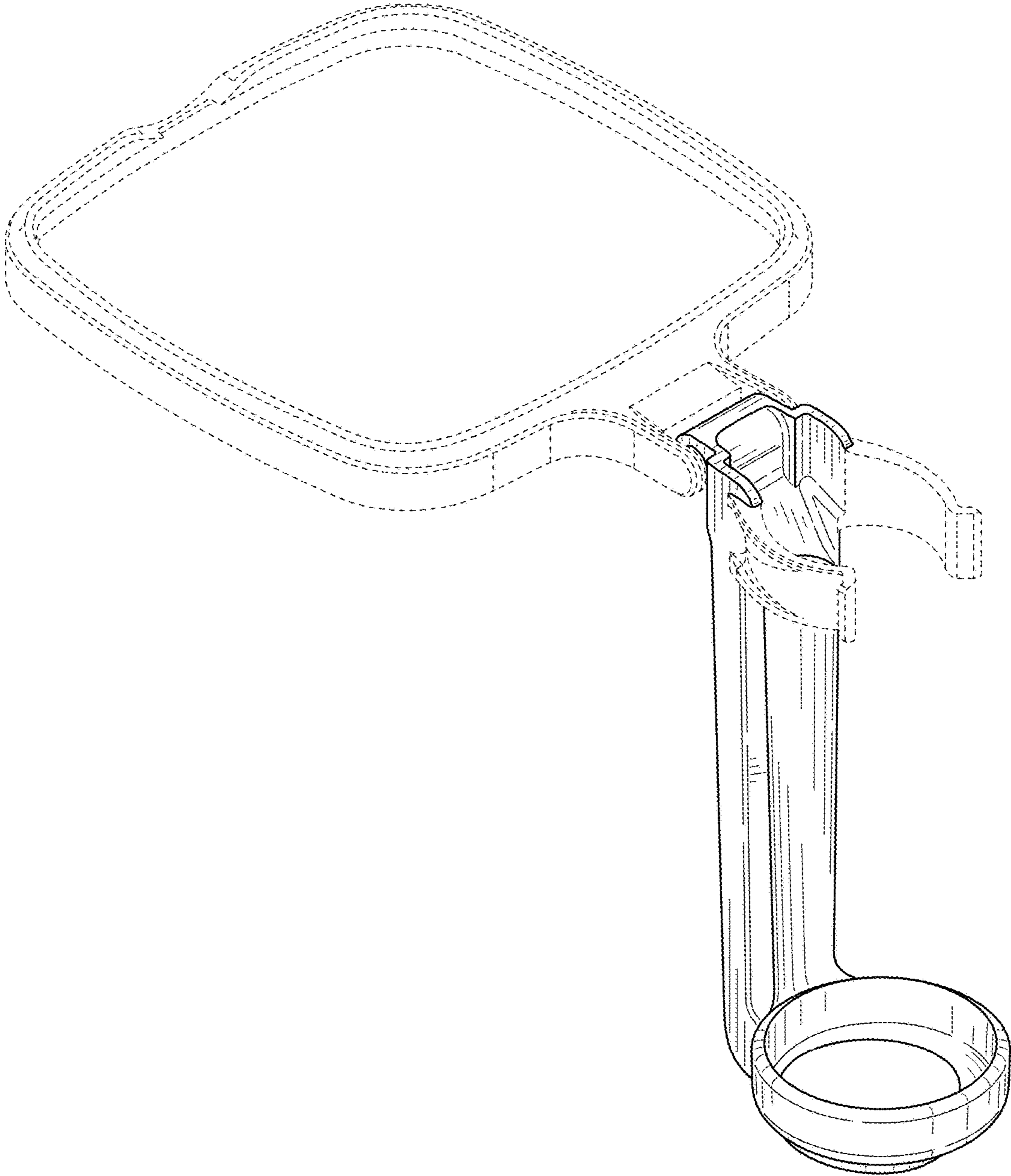


FIG. 1

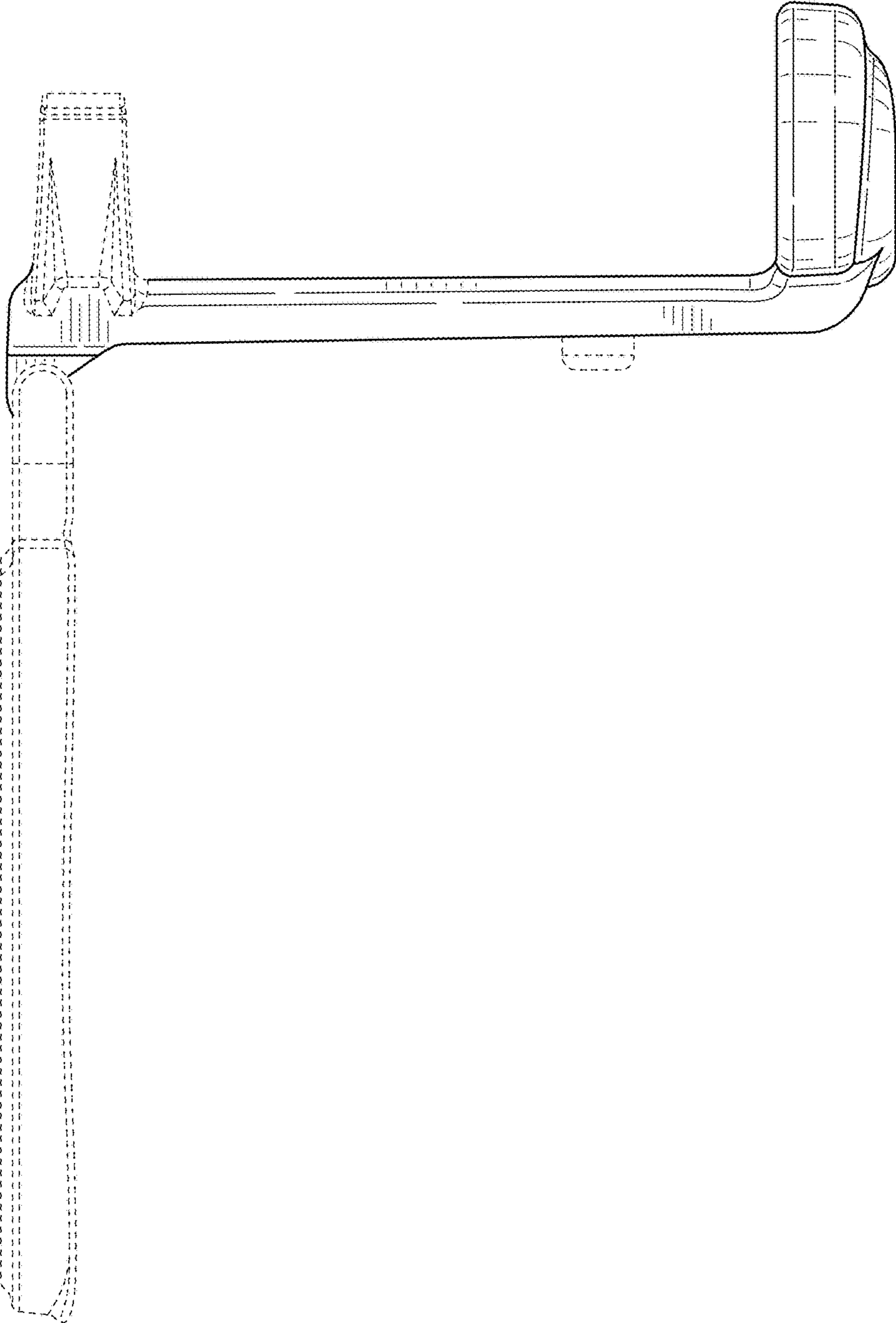


FIG. 2

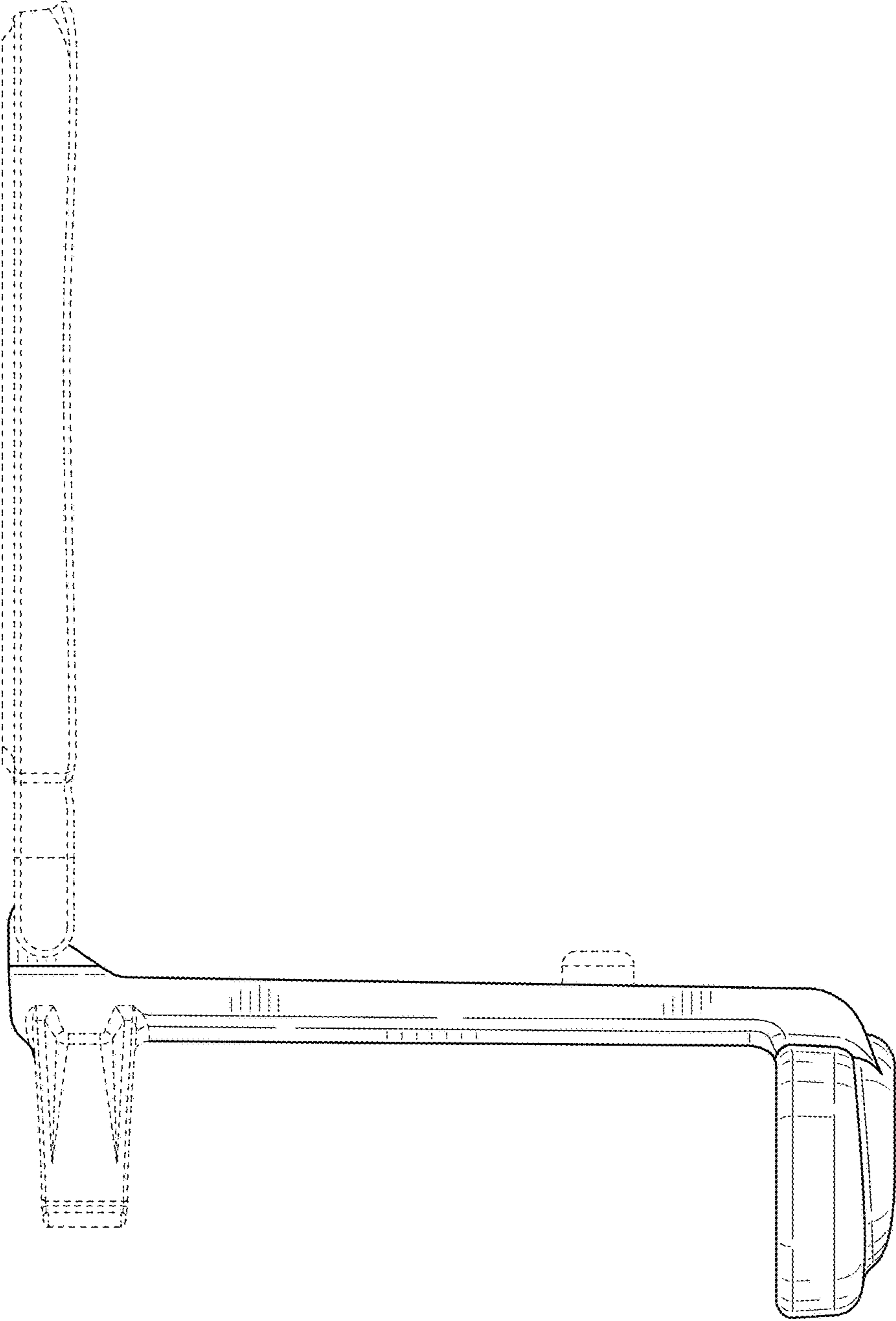


FIG. 3

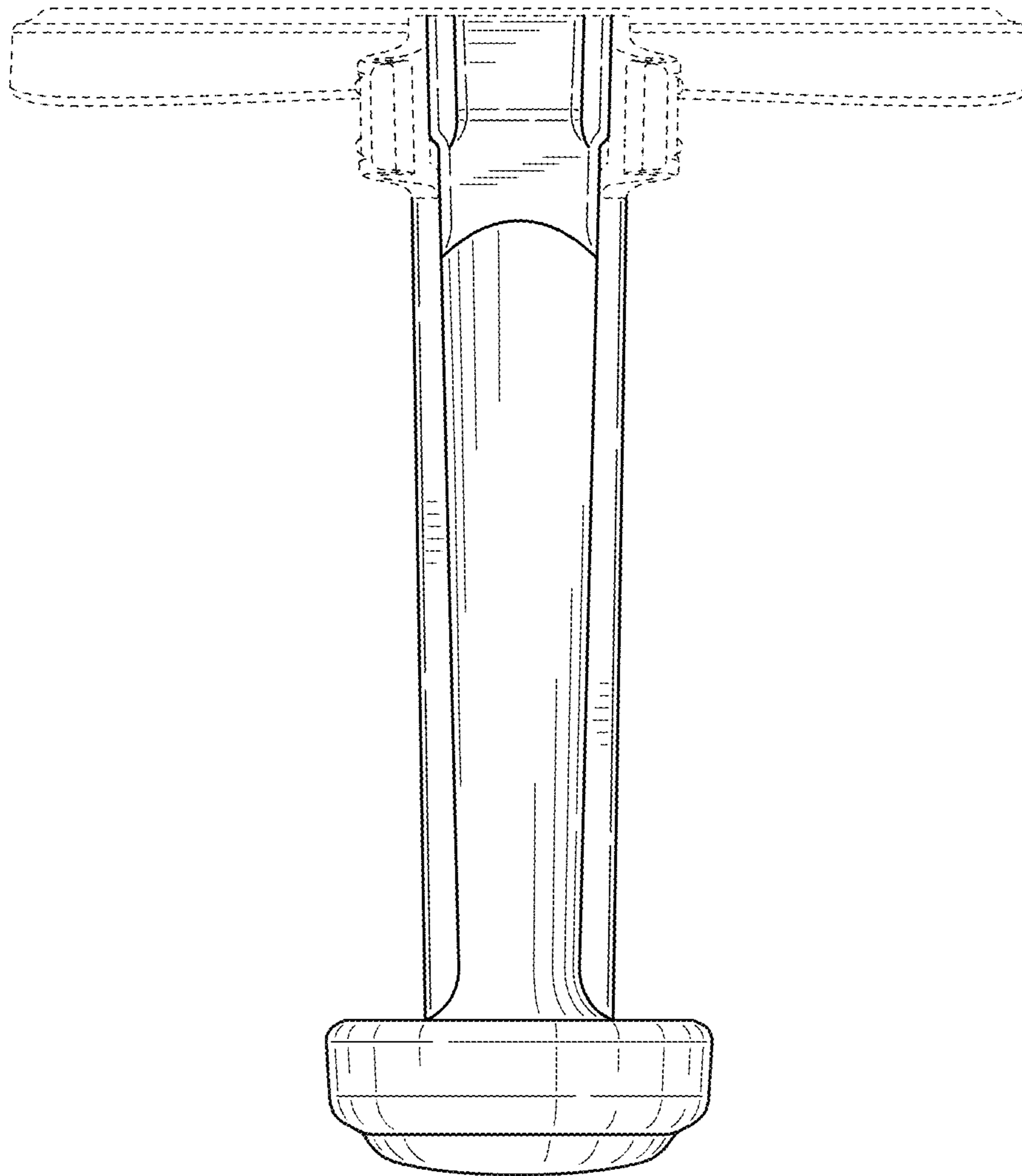


FIG. 4

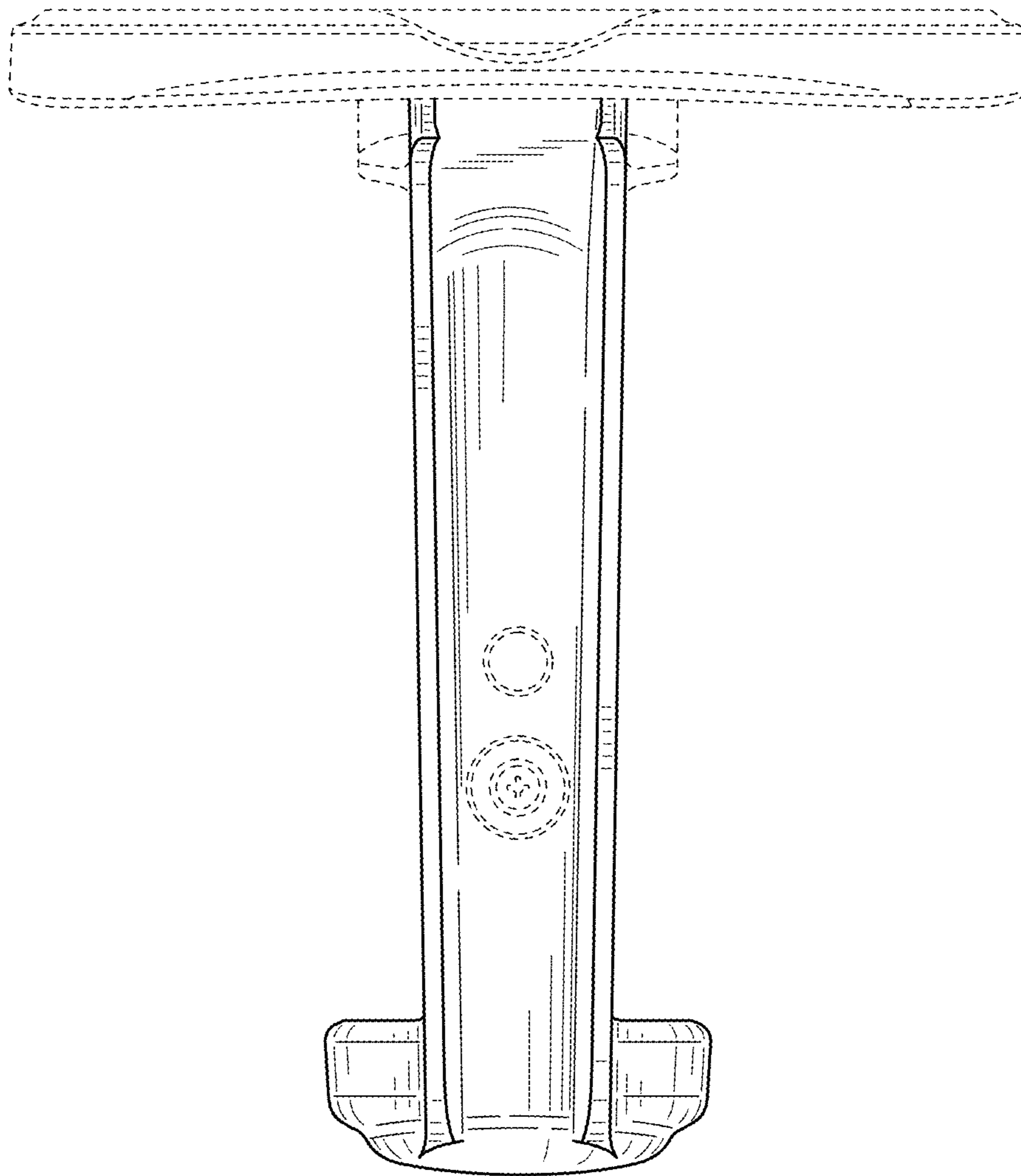


FIG. 5

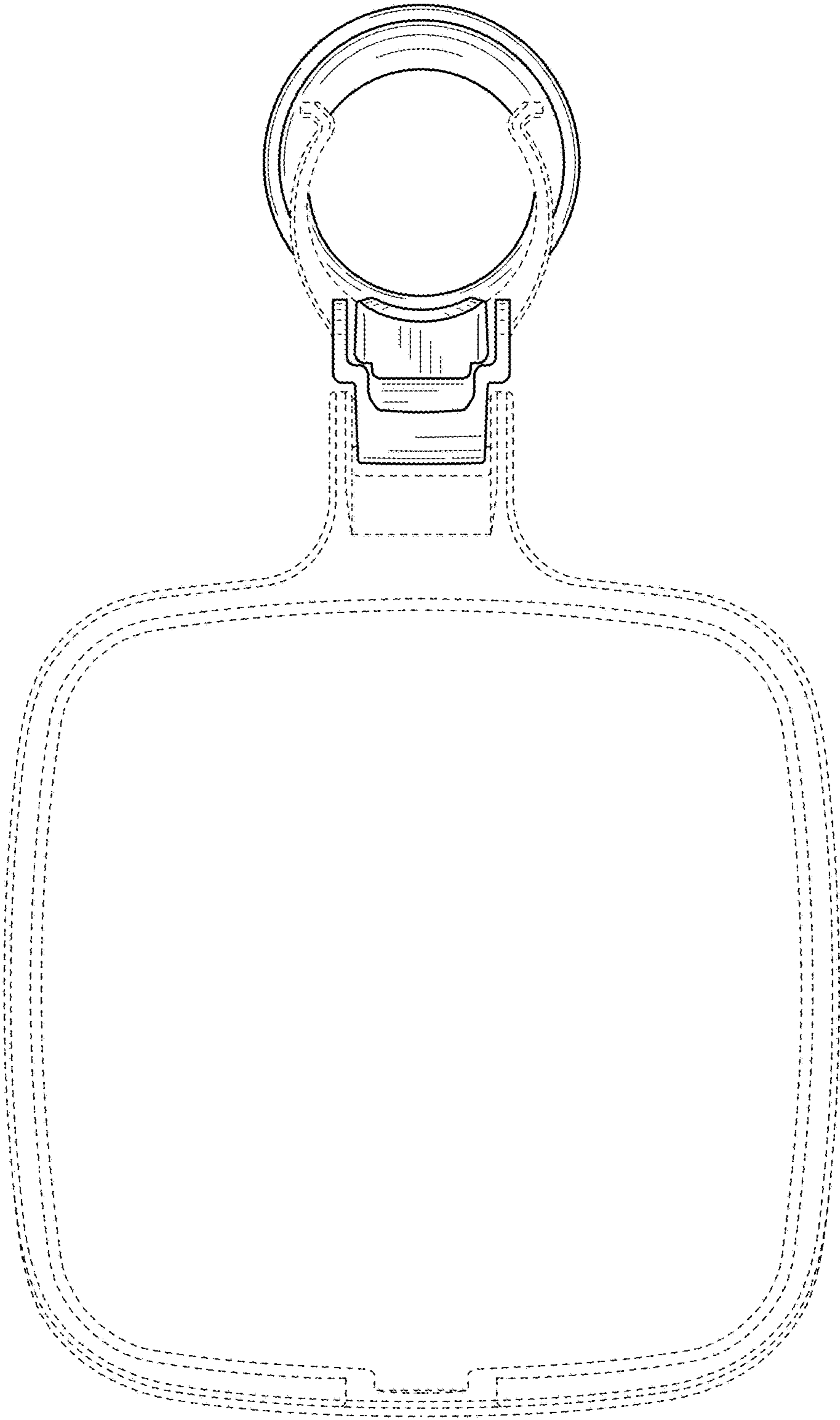


FIG. 6

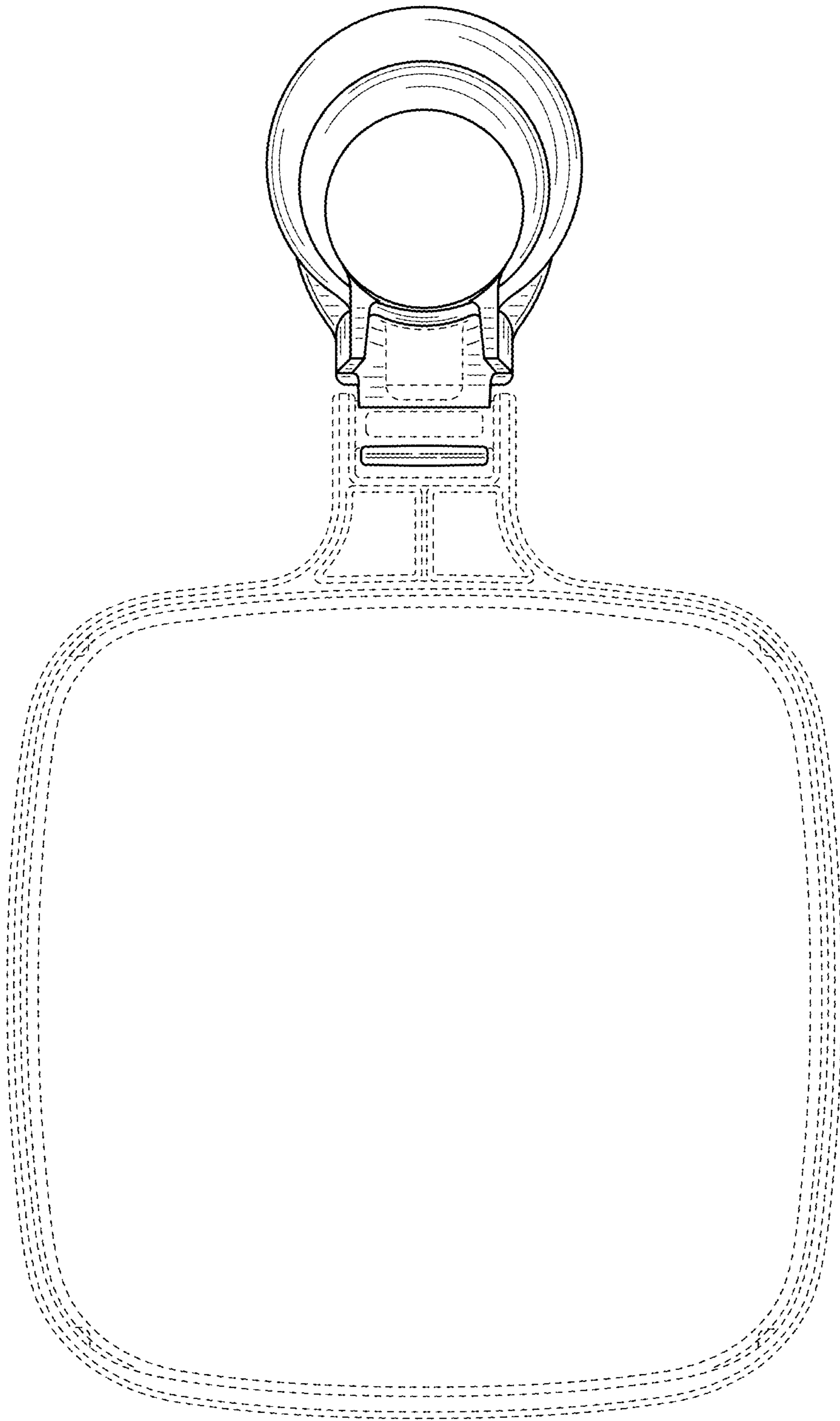


FIG. 7