



US00D772647S

(12) **United States Design Patent**  
**Zambruni et al.**

(10) **Patent No.:** **US D772,647 S**

(45) **Date of Patent:** **\*\* Nov. 29, 2016**

(54) **GAS BURNER FOR STOVES**

(71) Applicant: **SMEG S.p.A.**, Guastalla (RE) (IT)

(72) Inventors: **Carlo Zambruni**, Casalmaggiore (IT);  
**Bujar Taga**, Guastalla (IT)

(73) Assignee: **SMEG S.P.A.**, Guastalla (RE) (IT)

(\*\*) Term: **14 Years**

(21) Appl. No.: **29/504,139**

(22) Filed: **Oct. 2, 2014**

(30) **Foreign Application Priority Data**

Apr. 4, 2014 (EM) ..... 002440826

(51) **LOC (10) Cl.** ..... **07-02**

(52) **U.S. Cl.**  
USPC ..... **D7/407**

(58) **Field of Classification Search**  
USPC ..... D7/332-351, 362-367, 402-409;  
D23/415

CPC ..... F24C 15/10; F24C 7/083; F24C 3/085;  
F24C 15/107; F24C 3/08; F24C 3/126;  
F24C 3/124; F24C 15/023; F24C 15/322;  
F24C 15/325; F24C 15/327; F24C 7/08;  
F24C 15/04; H05B 6/062; H05B 1/0266;  
F23D 14/06; F23D 2900/14062; F23D  
14/105; F23D 14/045; A47J 37/0713  
See application file for complete search history.

(56) **References Cited**

**U.S. PATENT DOCUMENTS**

5,186,158 A \* 2/1993 Ferlin ..... F24C 3/085  
126/39 H  
D369,517 S \* 5/1996 Ferlin ..... D7/407

D544,753 S \* 6/2007 Tseng ..... D7/407  
D564,296 S \* 3/2008 Koch ..... D7/407  
D565,896 S \* 4/2008 Pryor ..... D7/407  
D682,028 S \* 5/2013 Preisler ..... D7/407  
D743,203 S \* 11/2015 Filho ..... D7/407  
D743,531 S \* 11/2015 Biagioli ..... D23/415  
2007/0154858 A1 \* 7/2007 Cadima ..... F23D 14/06  
431/354  
2008/0308089 A1 \* 12/2008 Tecirlioglu ..... F23D 14/06  
126/39 E  
2014/0318528 A1 \* 10/2014 Quintaba' ..... F24C 3/08  
126/39 E  
2015/0198336 A1 \* 7/2015 Koch ..... F24C 3/126  
126/39 E

\* cited by examiner

*Primary Examiner* — Susan Bennett Hattan

*Assistant Examiner* — Brett Miller

(74) *Attorney, Agent, or Firm* — Husch Blackwell LLP

(57) **CLAIM**

We claim the ornamental design for a gas burner for stoves,  
as shown and described.

**DESCRIPTION**

FIG. 1 is a perspective view of a gas burner for stoves  
showing our new design.

FIG. 2 is a top planform view thereof.

FIG. 3 is a bottom planform view thereof.

FIG. 4 is a right side elevational view thereof.

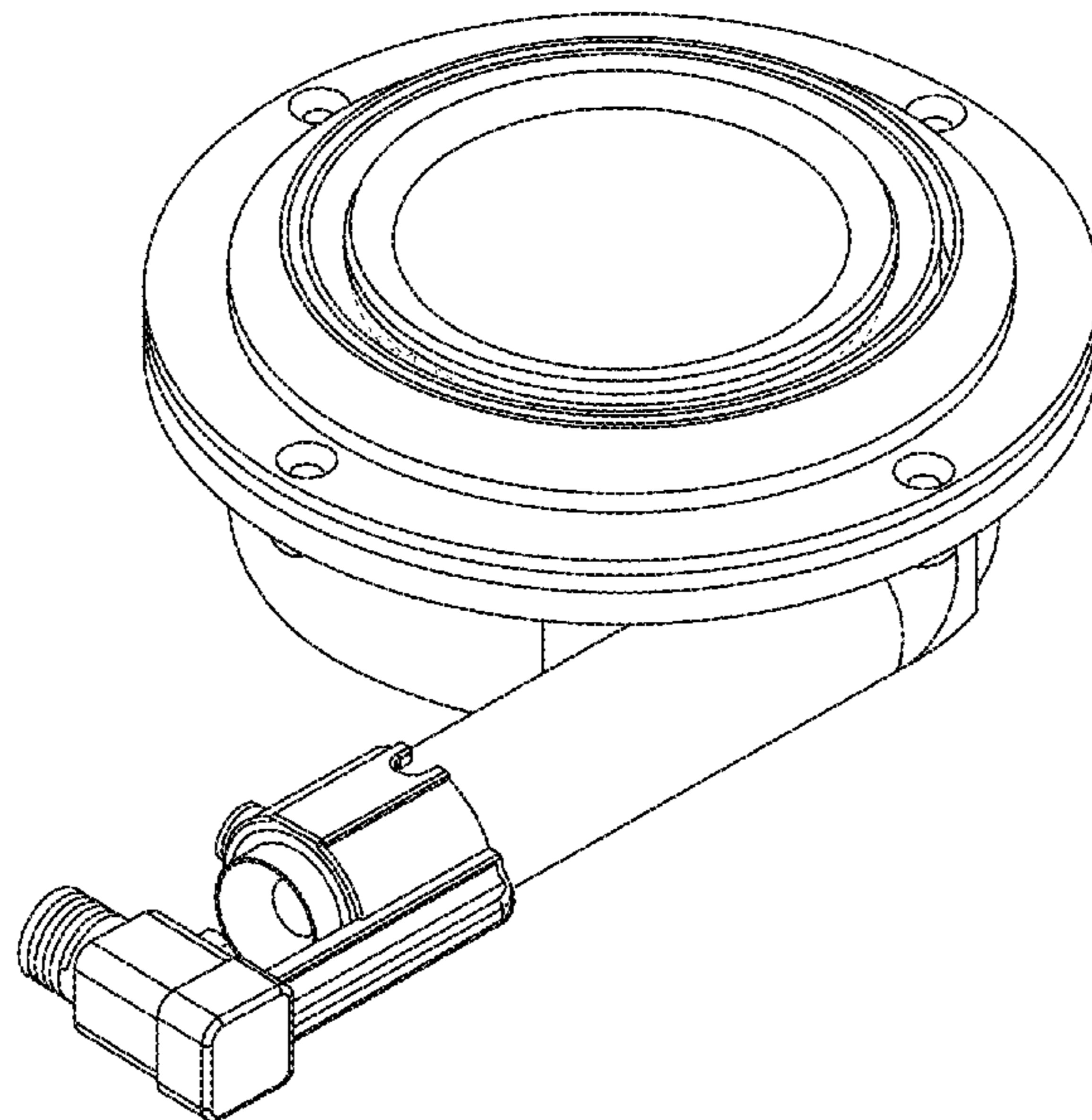
FIG. 5 is a left side elevational view thereof.

FIG. 6 is a front elevational view thereof; and,

FIG. 7 is a rear elevational view thereof.

The broken lines depict portions of the gas burner that form  
no part of the claim.

**1 Claim, 7 Drawing Sheets**



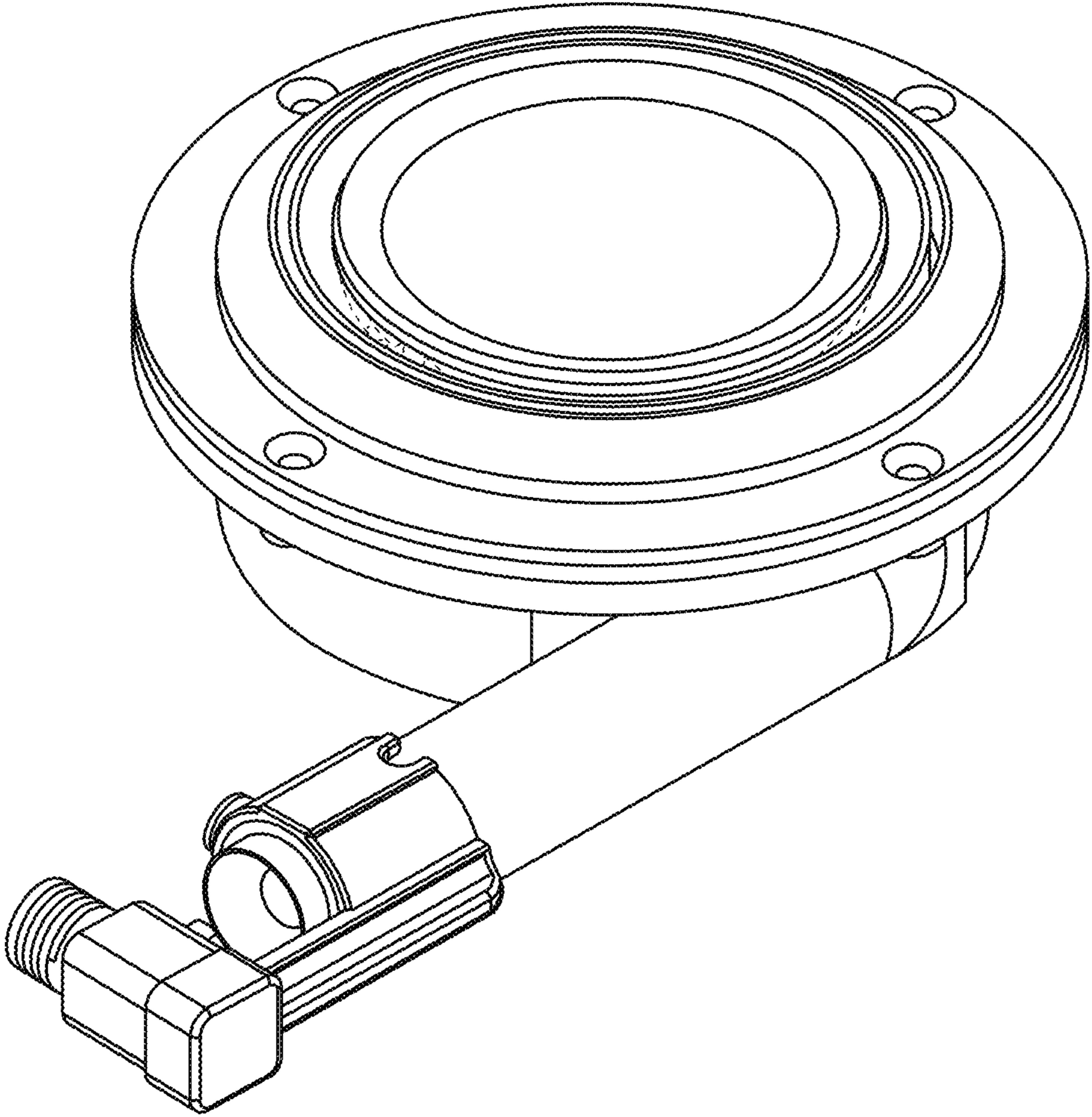


FIG. 1

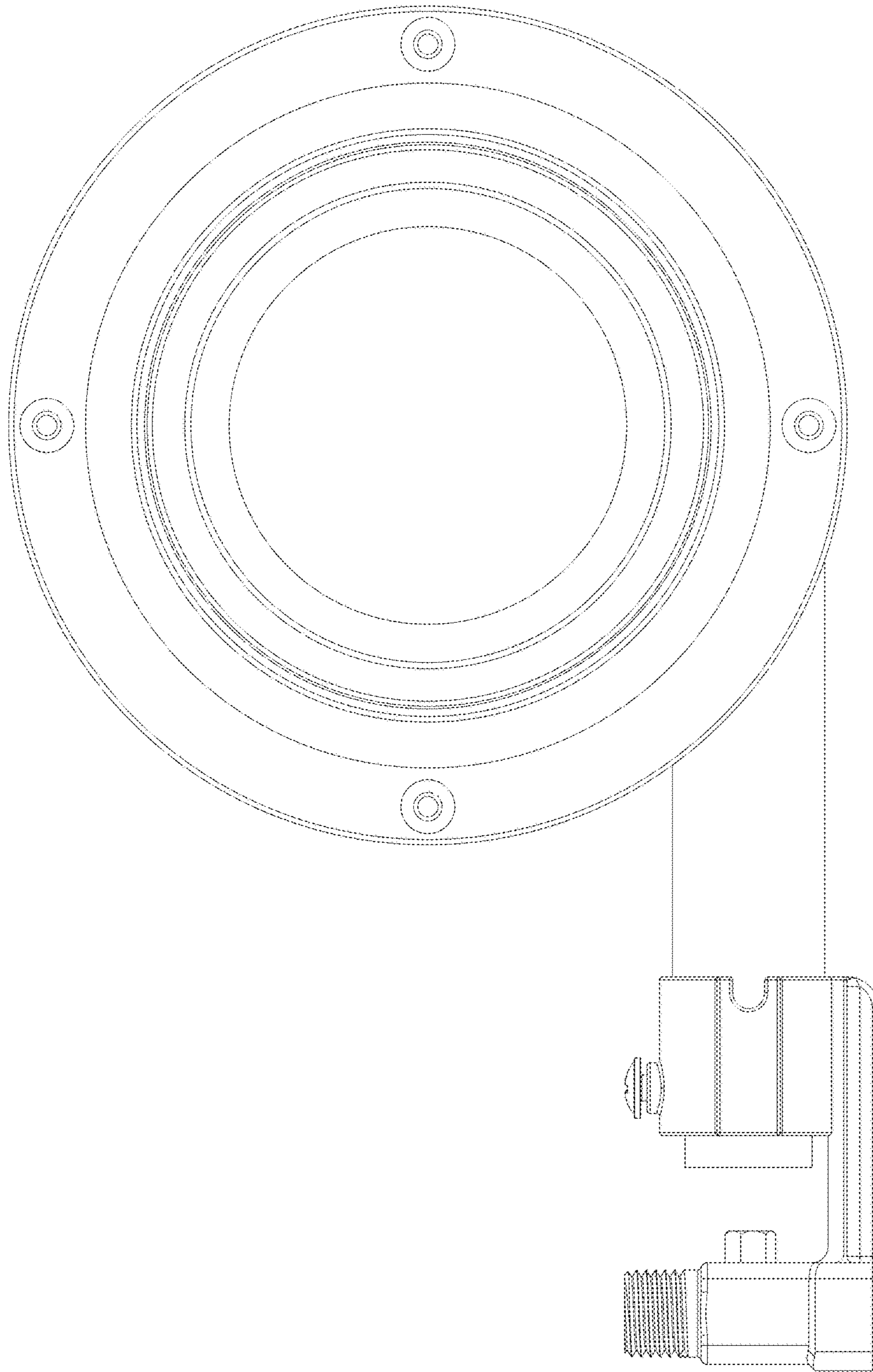


FIG. 2

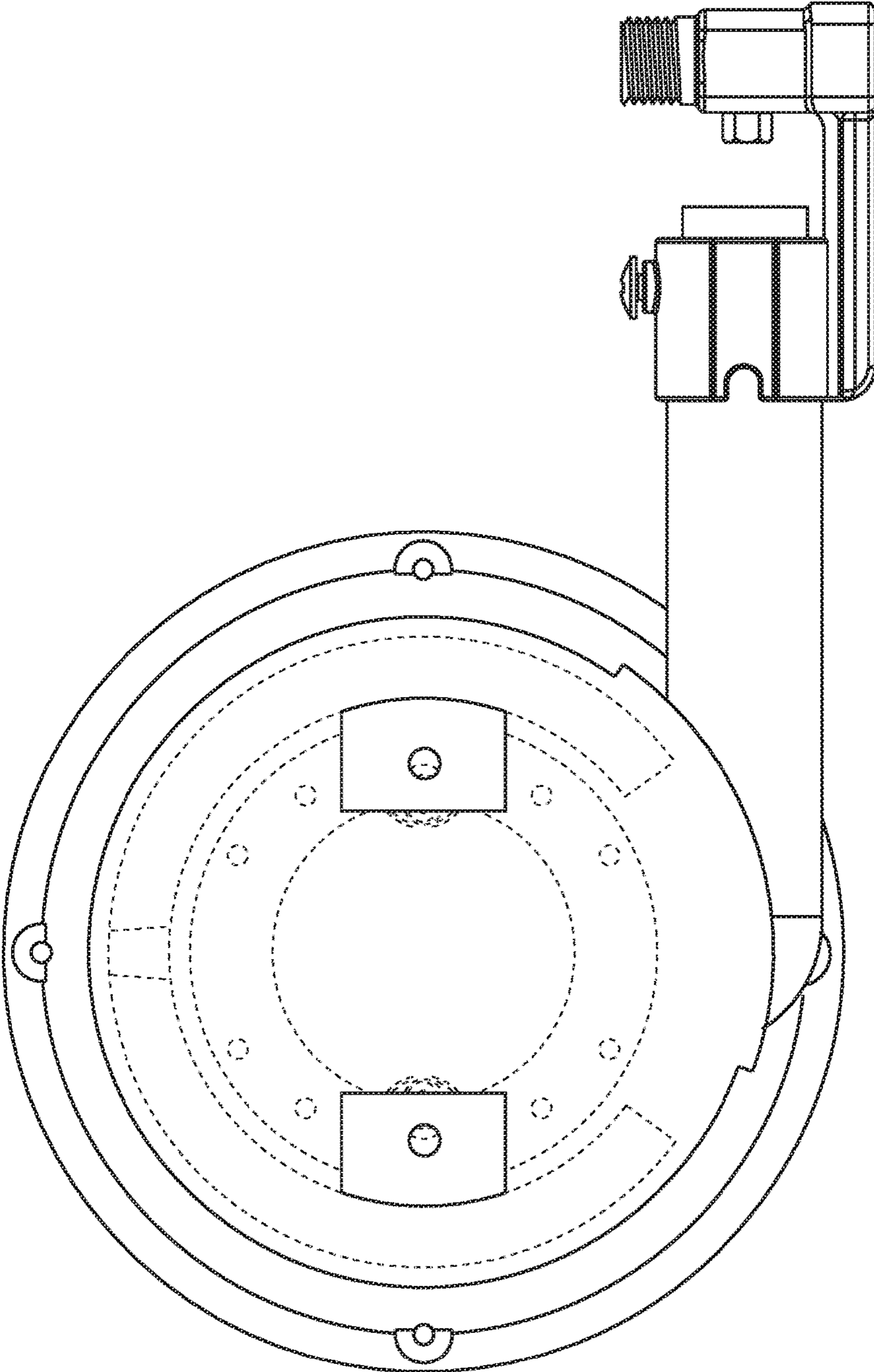


FIG. 3

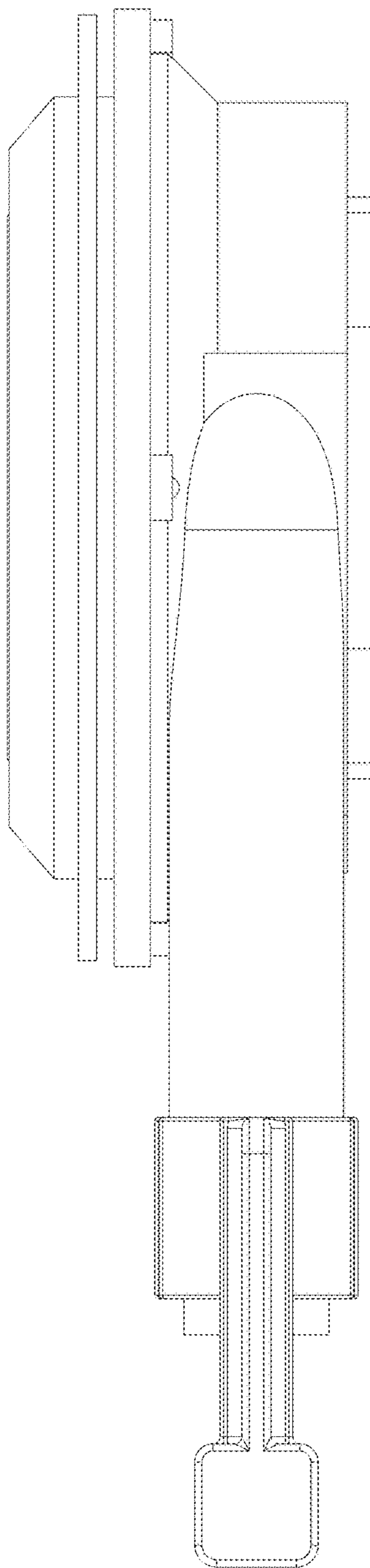


FIG. 4

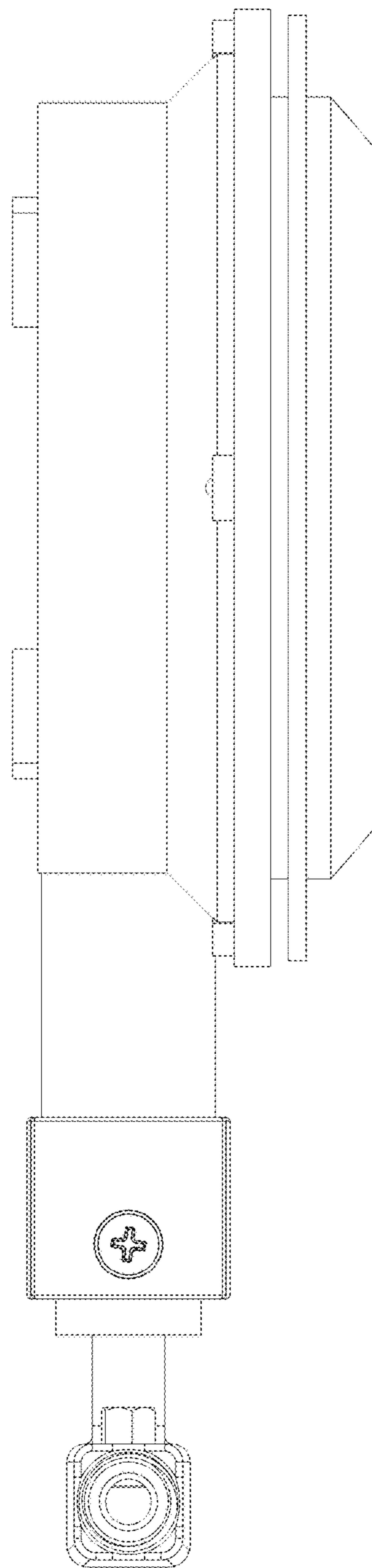


FIG. 5

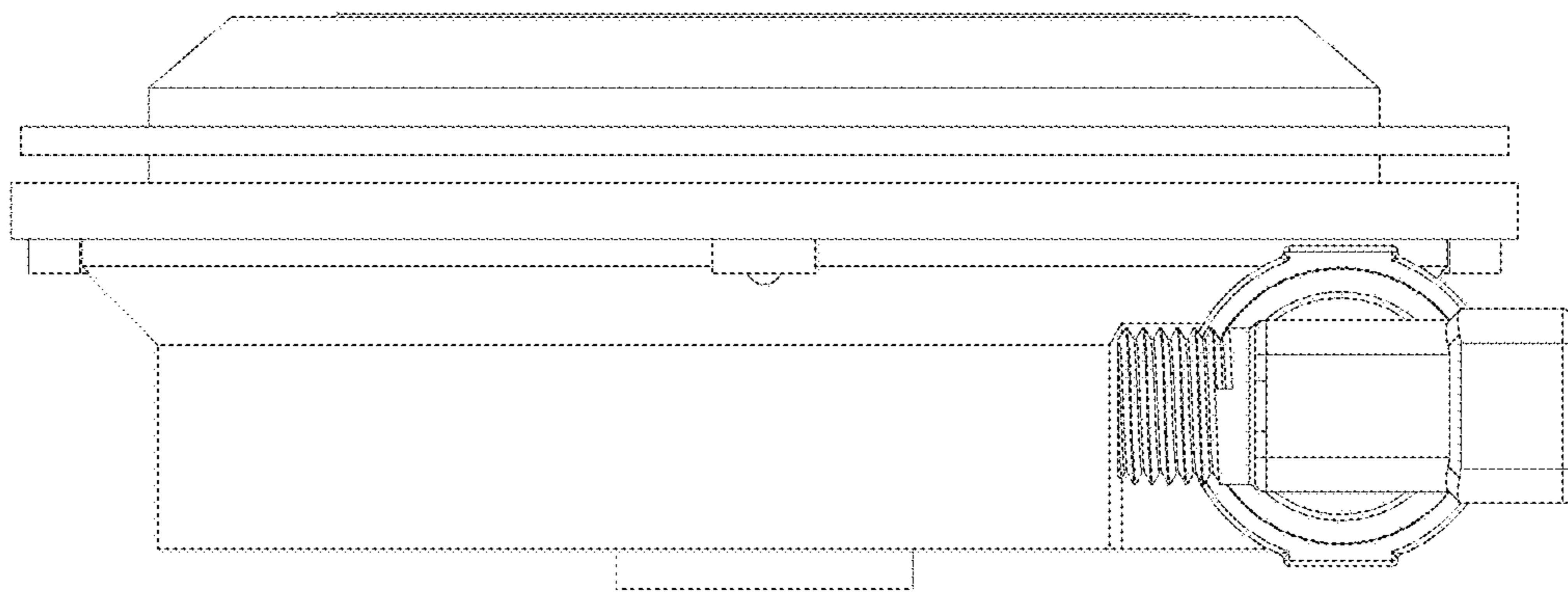


FIG. 6

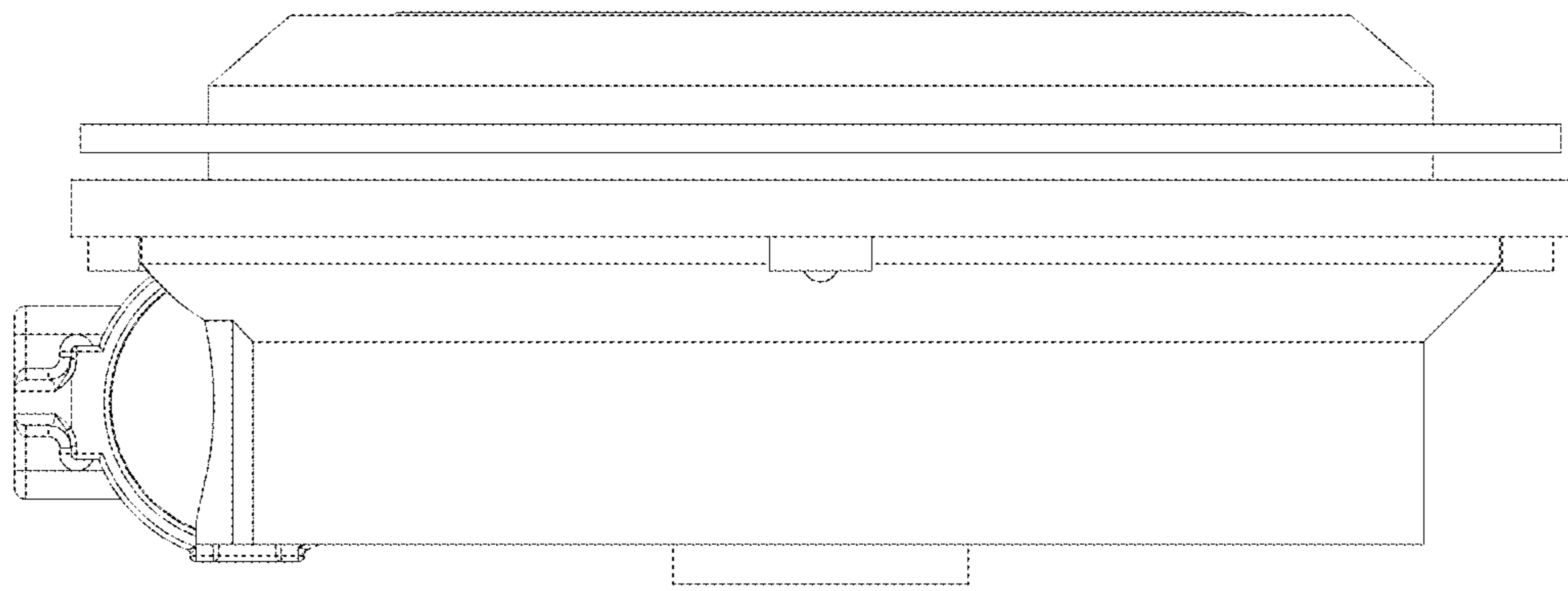


FIG. 7