



US00D772646S

(12) **United States Design Patent**
Kim et al.

(10) **Patent No.:** **US D772,646 S**

(45) **Date of Patent:** **** *Nov. 29, 2016**

(54) **MICROWAVE OVEN**

(71) Applicant: **LG ELECTRONICS INC.**, Seoul (KR)

(72) Inventors: **Soo Yeon Kim**, Seoul (KR); **Han Jin Jung**, Seoul (KR); **Song Yi Han**, Seoul (KR); **In Hwan Ryu**, Seoul (KR)

(73) Assignee: **LG ELECTRONICS INC.**, Seoul (KR)

(*) Notice: This patent is subject to a terminal disclaimer.

(**) Term: **14 Years**

(21) Appl. No.: **29/525,200**

(22) Filed: **Apr. 28, 2015**

(30) **Foreign Application Priority Data**

Nov. 13, 2014 (KR) 30-2014-0054707

(51) **LOC (10) Cl.** **07-02**

(52) **U.S. Cl.**
USPC **D7/405**

(58) **Field of Classification Search**
USPC D7/402, 403-408, 351, 350.4,
D7/350.1-350.3, 323, 339-340, 346-349,
D7/394

CPC .. H05B 6/763; H05B 6/6414; H05B 6/6408;
Y02B 40/14; Y02B 40/143; Y02B 40/146;
F24C 15/02; F24C 1/00; F24C 14/00; F24C
3/00; F24C 5/00; F24C 7/00

See application file for complete search history.

(56) **References Cited**

U.S. PATENT DOCUMENTS

D329,780 S * 9/1992 Piret D7/351
6,433,323 B2 * 8/2002 Kim 126/21 A

D530,973 S * 10/2006 Lee D7/351
D535,141 S * 1/2007 Lee D7/351
D535,516 S * 1/2007 Lee D7/351
D646,111 S * 10/2011 Kim D7/348
D651,036 S * 12/2011 Kim D7/349
D653,071 S * 1/2012 Kim D7/349
D705,008 S * 5/2014 Shin D7/405
D707,074 S * 6/2014 Shin D7/351
D708,469 S * 7/2014 Kim D7/351
D712,694 S * 9/2014 Kim D7/351

* cited by examiner

Primary Examiner — Sheryl Lane

Assistant Examiner — Nicole Shiflet

(74) *Attorney, Agent, or Firm* — Birch, Stewart, Kolasch & Birch, LLP

(57) **CLAIM**

We claim the ornamental design for a microwave oven, as shown and described.

DESCRIPTION

FIG. 1 is a perspective view of a microwave oven showing our new design;

FIG. 2 is a front elevation view thereof;

FIG. 3 is a rear elevation view thereof;

FIG. 4 is a left-side elevation view thereof;

FIG. 5 is a right-side elevation view thereof;

FIG. 6 is a top plan view thereof;

FIG. 7 is a bottom plan view thereof; and,

FIG. 8 is a perspective view of a microwave oven, showing a second embodiment of our new design.

The broken lines in the drawing figures are included for the purpose of illustrating environment and form no part of the claimed design. FIG. 8 is the only view showing the second embodiment. Therefore, the second embodiment includes only what is shown in FIG. 8.

1 Claim, 5 Drawing Sheets

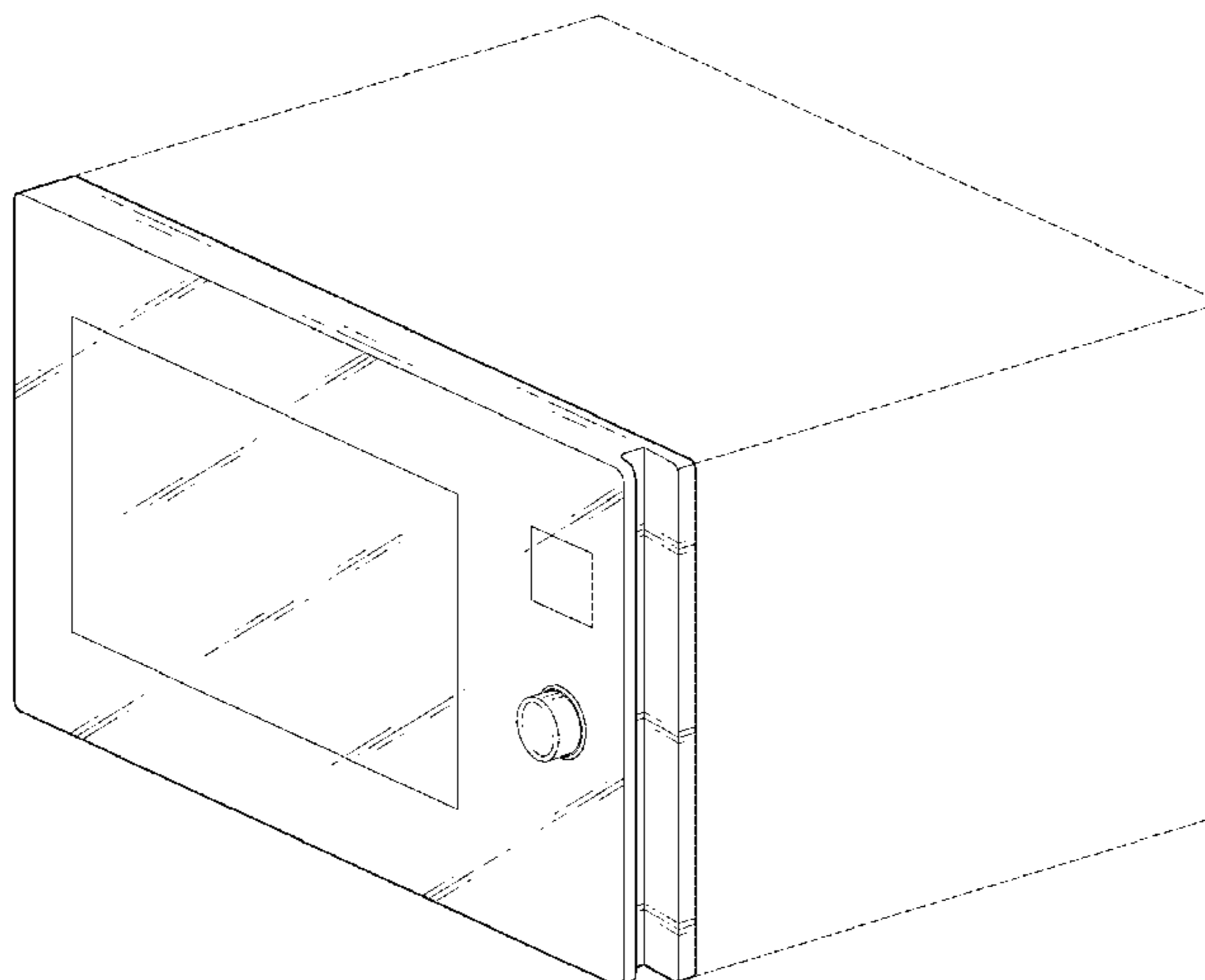


FIG. 1

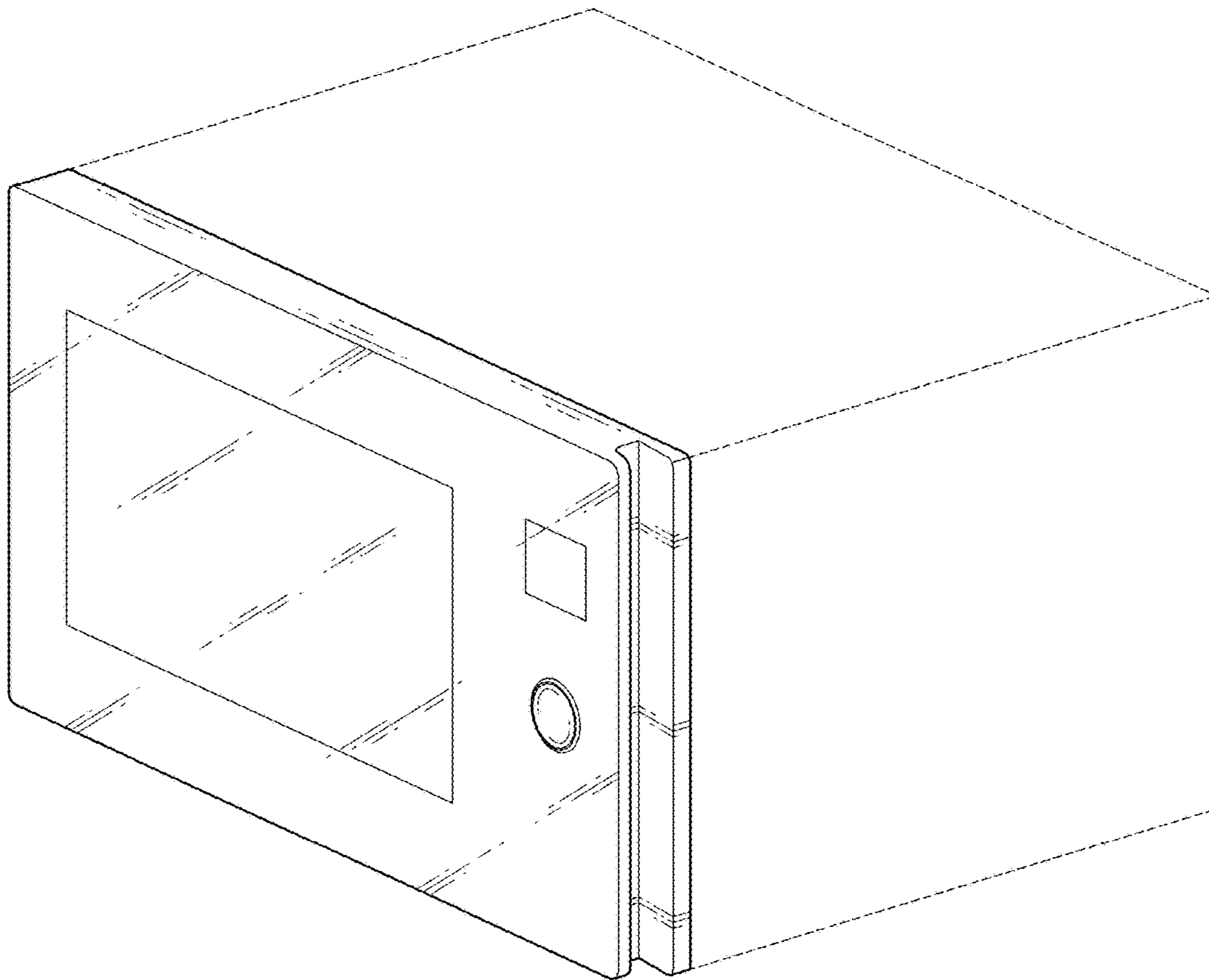


FIG. 2

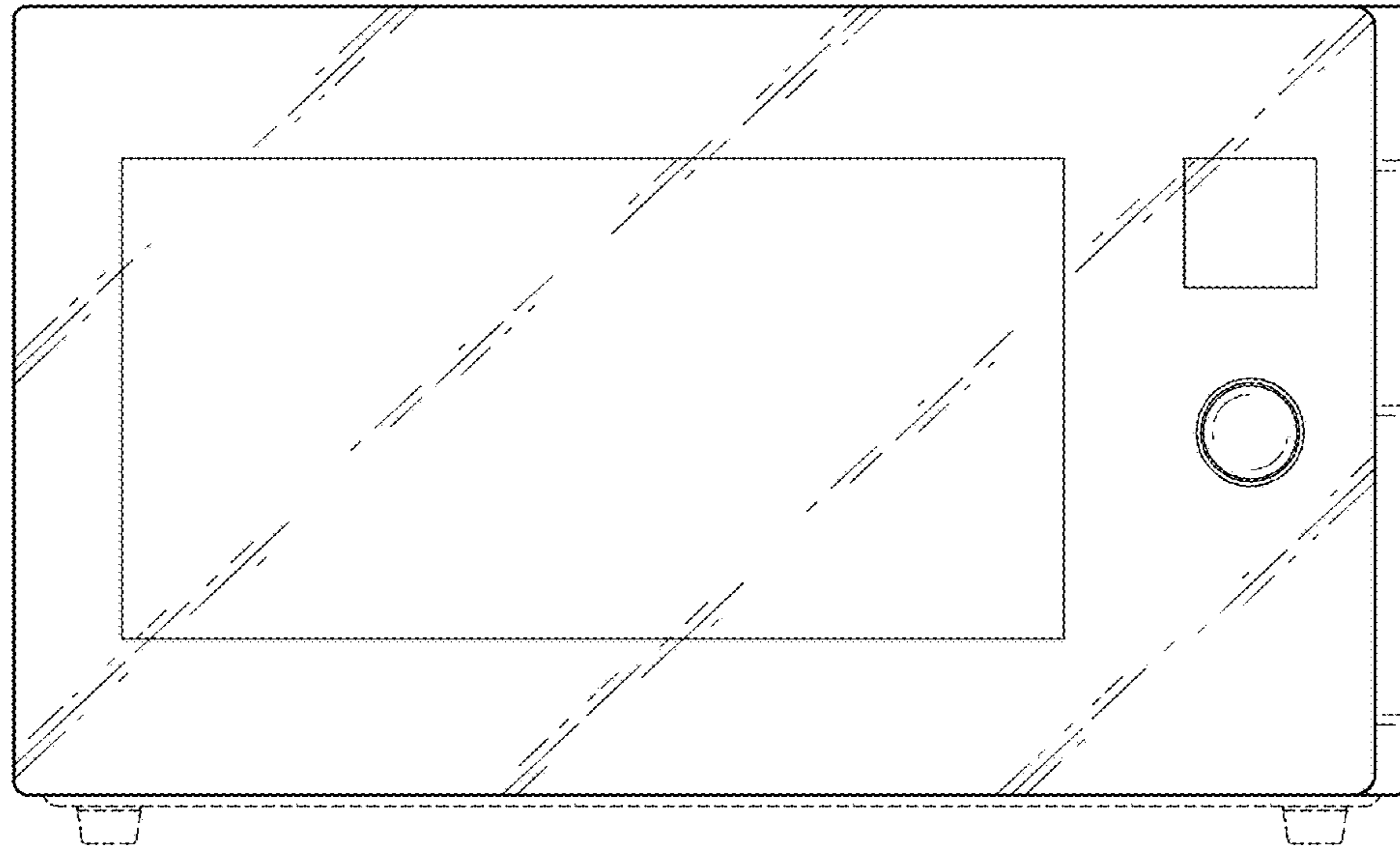


FIG. 3

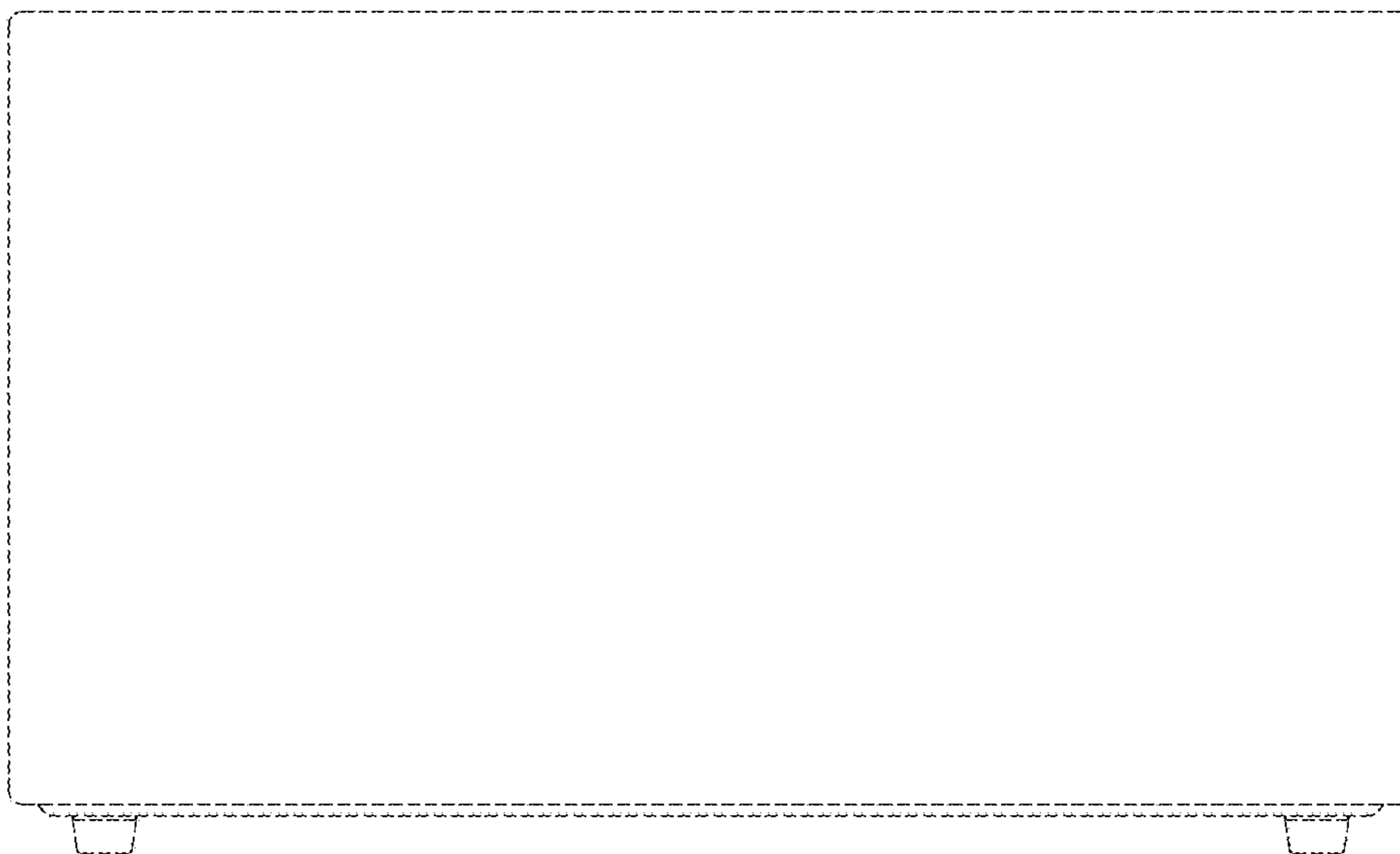


FIG. 4

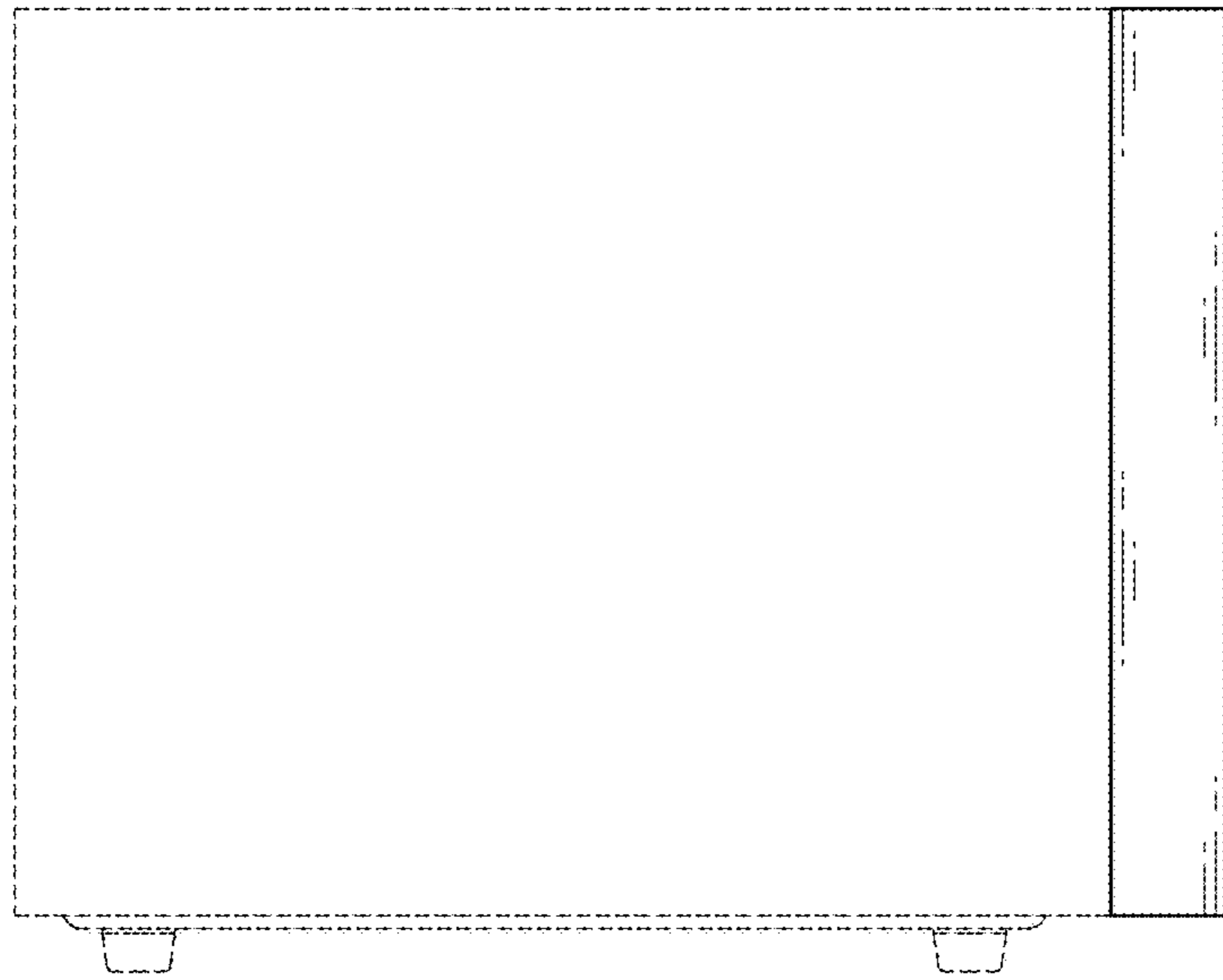


FIG. 5

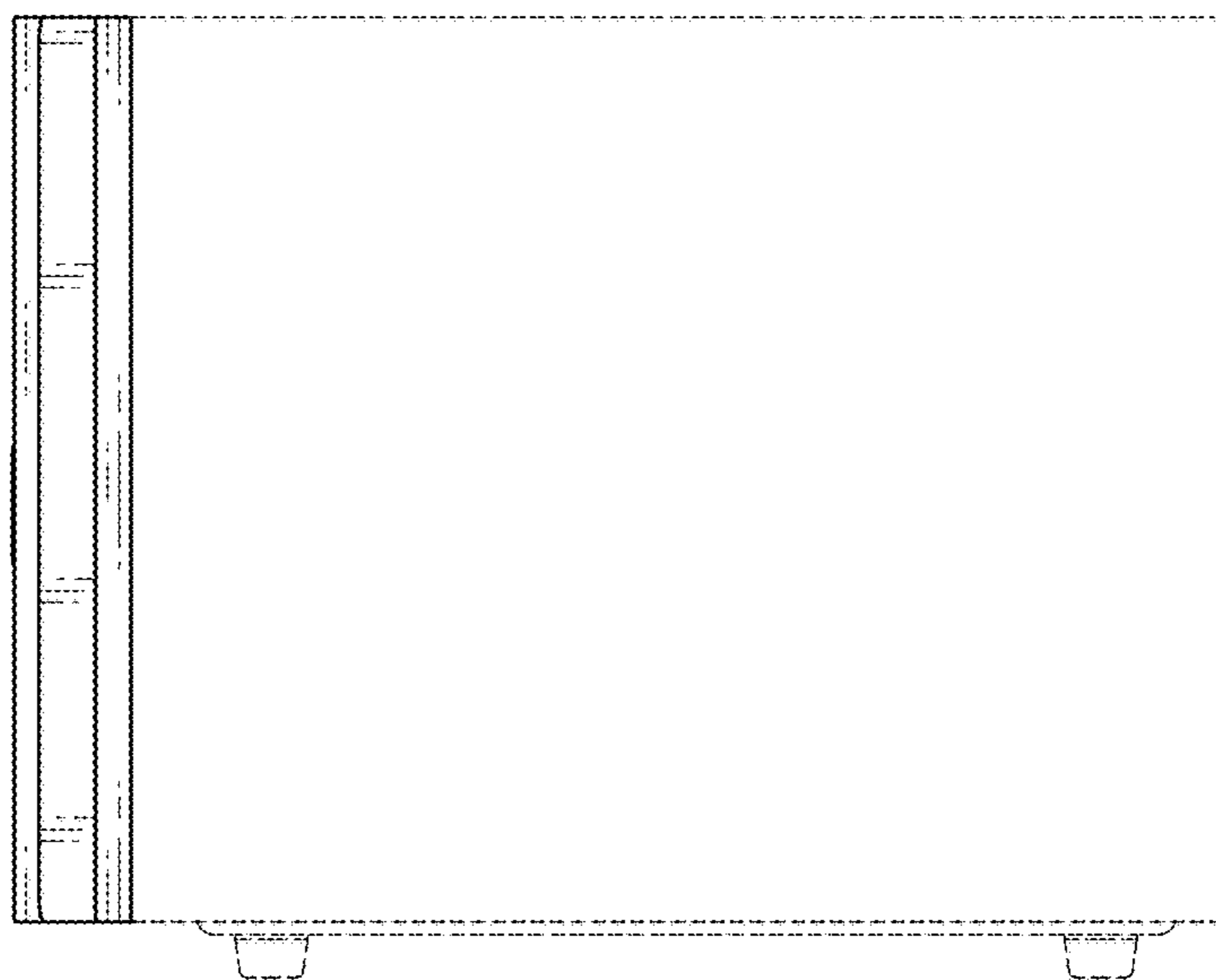


FIG. 6

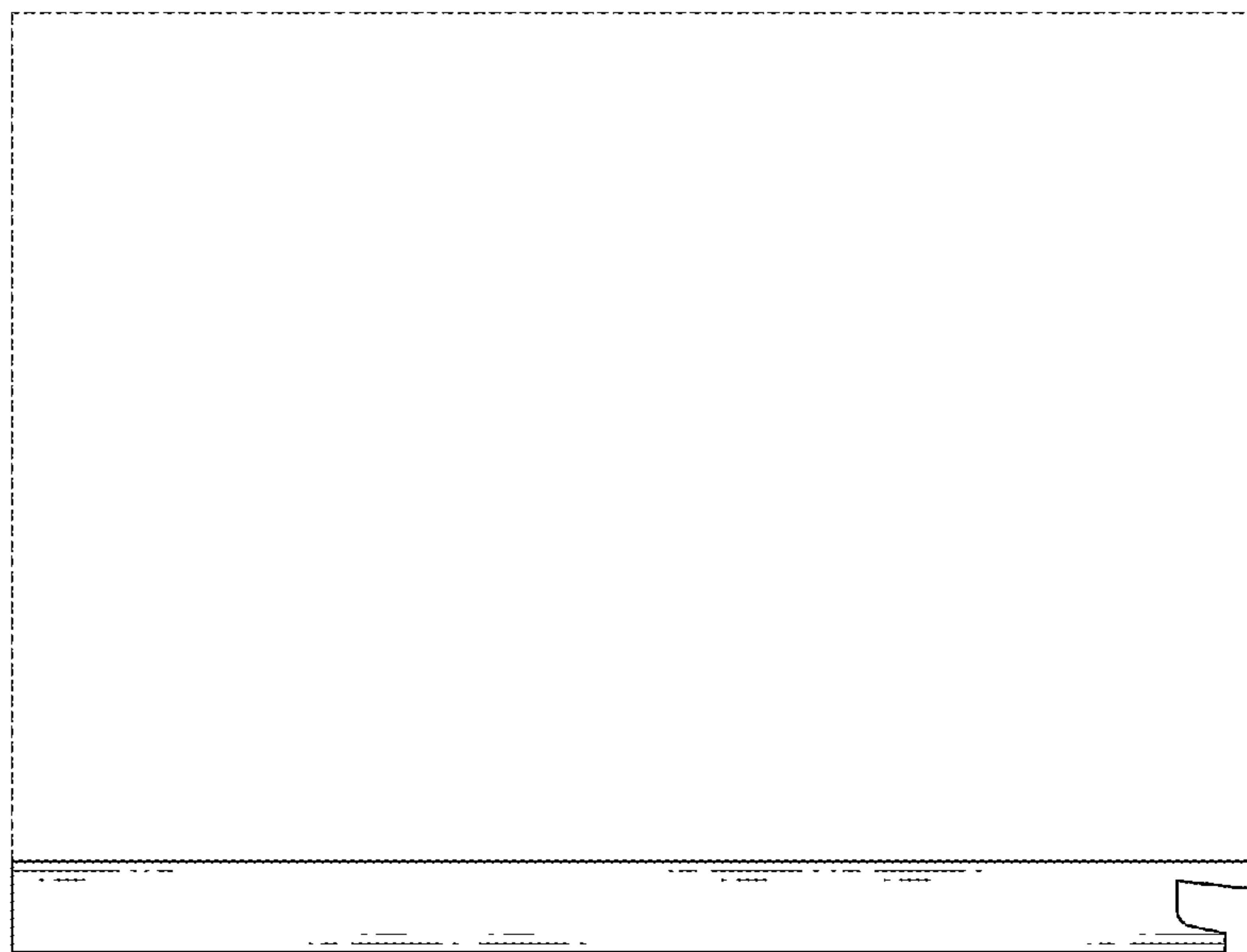


FIG. 7

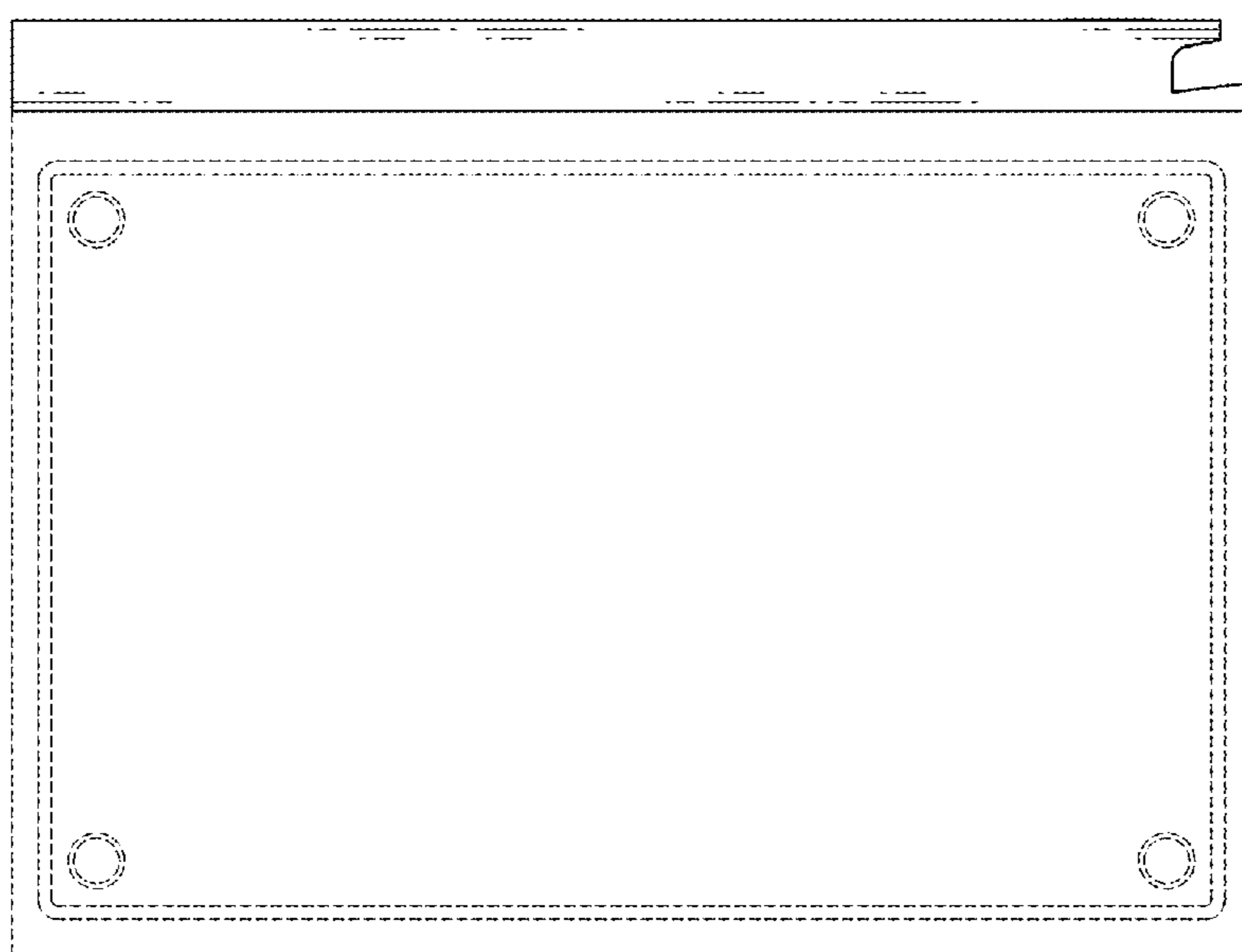


FIG. 8

