



US00D772642S

(12) **United States Design Patent**
Lownds et al.

(10) **Patent No.:** **US D772,642 S**
(45) **Date of Patent:** **** Nov. 29, 2016**

(54) **BLENDING APPLIANCE**

4/423; B02C 13/1835; B28C 5/10; B28C 5/12; B28C 5/14; B28C 5/16

(71) Applicant: **WHIRLPOOL CORPORATION**,
Benton Harbor, MI (US)

See application file for complete search history.

(72) Inventors: **Zachary A. Lownds**, St. Joseph, MI (US); **Brandon T. Mock**, St. Joseph, MI (US)

(56) **References Cited**

U.S. PATENT DOCUMENTS

D248,721 S * 8/1978 Sato D7/309
D350,871 S * 9/1994 Littmann D7/309
D432,848 S * 10/2000 Brady D7/309

(Continued)

(73) Assignee: **Whirlpool Corporation**, Benton Harbor, MI (US)

Primary Examiner — Ricky Pham

(**) Term: **15 Years**

(57) **CLAIM**

We claim the ornamental design for a blending appliance, as shown and described.

(21) Appl. No.: **29/546,747**

DESCRIPTION

(22) Filed: **Nov. 25, 2015**

Related U.S. Application Data

(62) Division of application No. 29/484,921, filed on Mar. 14, 2014, now Pat. No. Des. 744,275.

(51) **LOC (10) Cl.** **31-00**

(52) **U.S. Cl.**
USPC **D7/378**; D7/376; D7/384

(58) **Field of Classification Search**
USPC D7/300, 306, 309, 372, 376–386, D7/412–413, 602, 629, 665–666, 669, 679, D7/693–694

CPC A21C 1/02; A21C 1/04; A23N 1/00; A23N 1/02; A47J 43/04; A47J 43/25; A47J 43/27; A47J 43/042; A47J 43/044; A47J 43/046; A47J 43/075; A47J 43/0716; A47J 43/0722; A47J 43/0727; B01F 3/00; B01F 3/0807; B01F 3/0853; B01F 13/0059; B01F 13/0064; B02C 1/08; B02C 2/04; B02C 4/42; B02C 4/142; B02C 4/143; B02C

FIG. 1 is a front perspective view of a blending appliance of the present disclosure;

FIG. 2 is a rear perspective view of the blending appliance of FIG. 1;

FIG. 3 is a front elevational view of the blending appliance of FIG. 1;

FIG. 4 is a rear elevational view of the blending appliance of FIG. 1;

FIG. 5 is a first side elevational view of the blending appliance of FIG. 1;

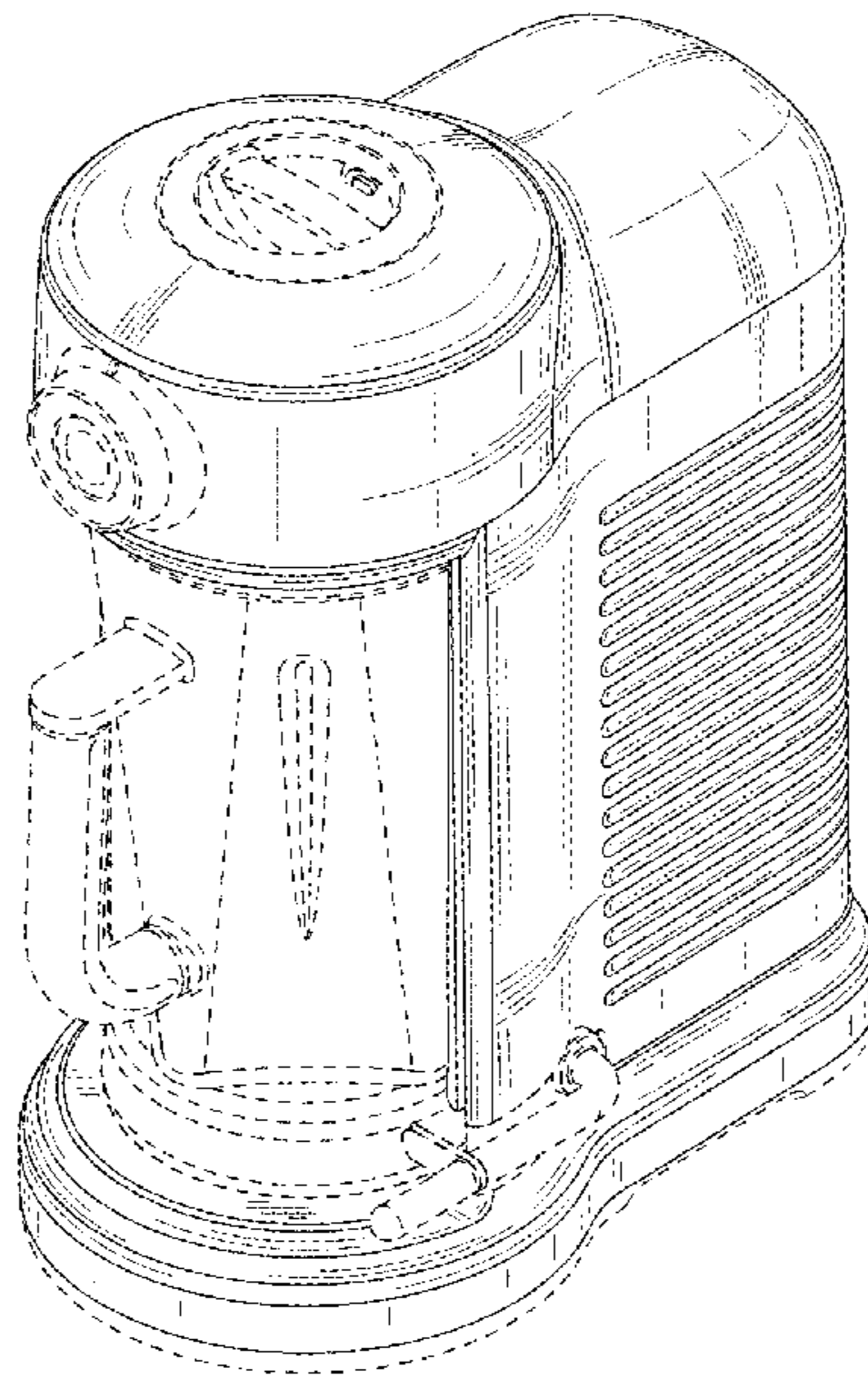
FIG. 6 is a second side elevational view of the blending appliance of FIG. 1;

FIG. 7 is a top plan view of the blending appliance of FIG. 1; and,

FIG. 8 is a bottom plan view of the blending appliance of FIG. 1.

The broken lines shown in the drawings are for illustrative purposes only and form no part of the claimed design.

1 Claim, 4 Drawing Sheets



(56)

References Cited

U.S. PATENT DOCUMENTS

D499,926 S	*	12/2004	Cahen	D7/300	D728,987 S	*	5/2015	Cahen	D7/309
D511,066 S	*	11/2005	Garner	D7/309	D733,480 S	*	7/2015	Shao	D7/306
D624,780 S	*	10/2010	Bodum	D7/309	D738,152 S	*	9/2015	Grasselli	D7/309
D724,369 S	*	3/2015	Cahen	D7/309	D743,199 S	*	11/2015	Bardazzi	D7/309
						D744,275 S	*	12/2015	Lownds	D7/376
						D753,428 S	*	4/2016	Shao	D7/306

* cited by examiner

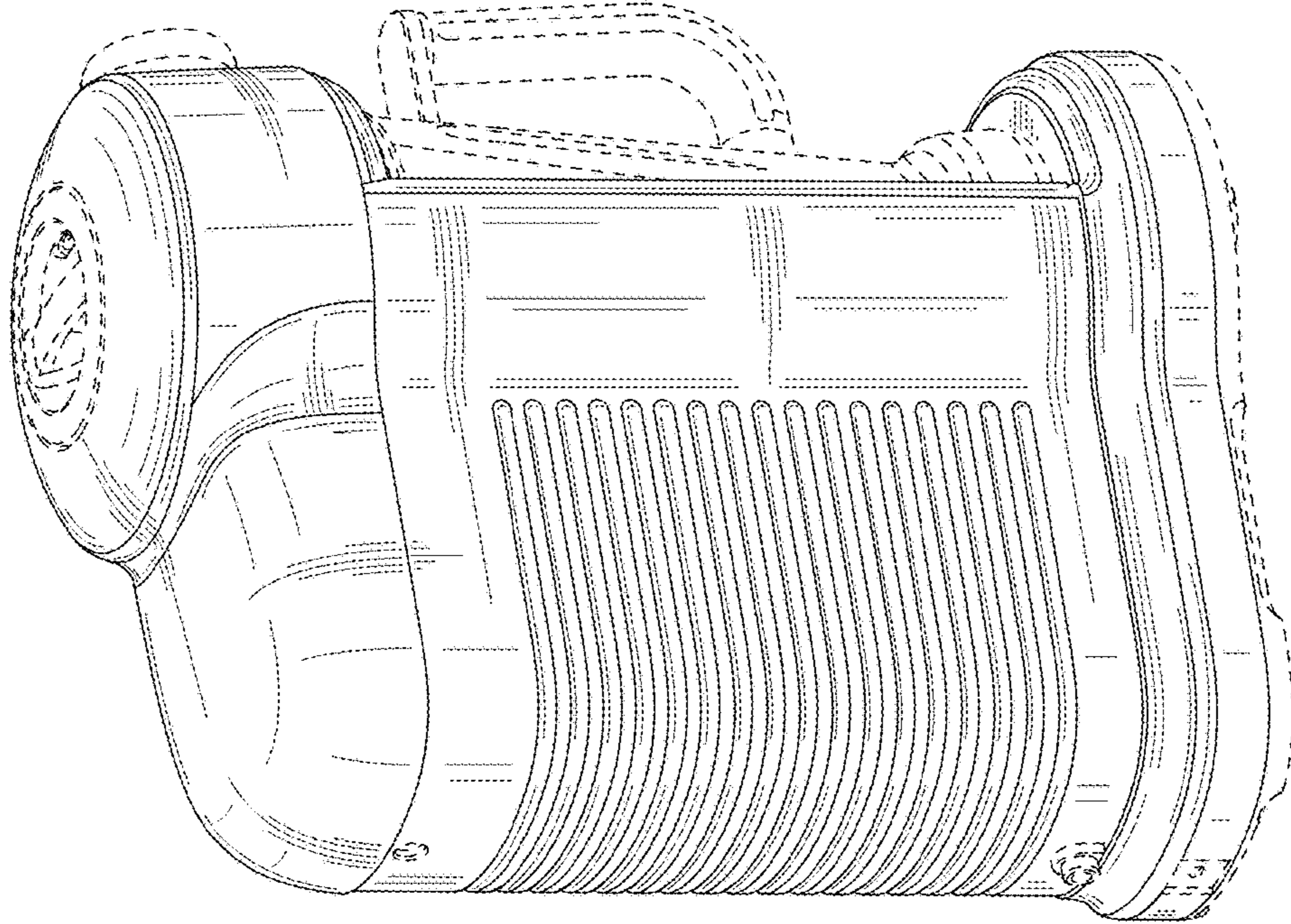


FIG. 2

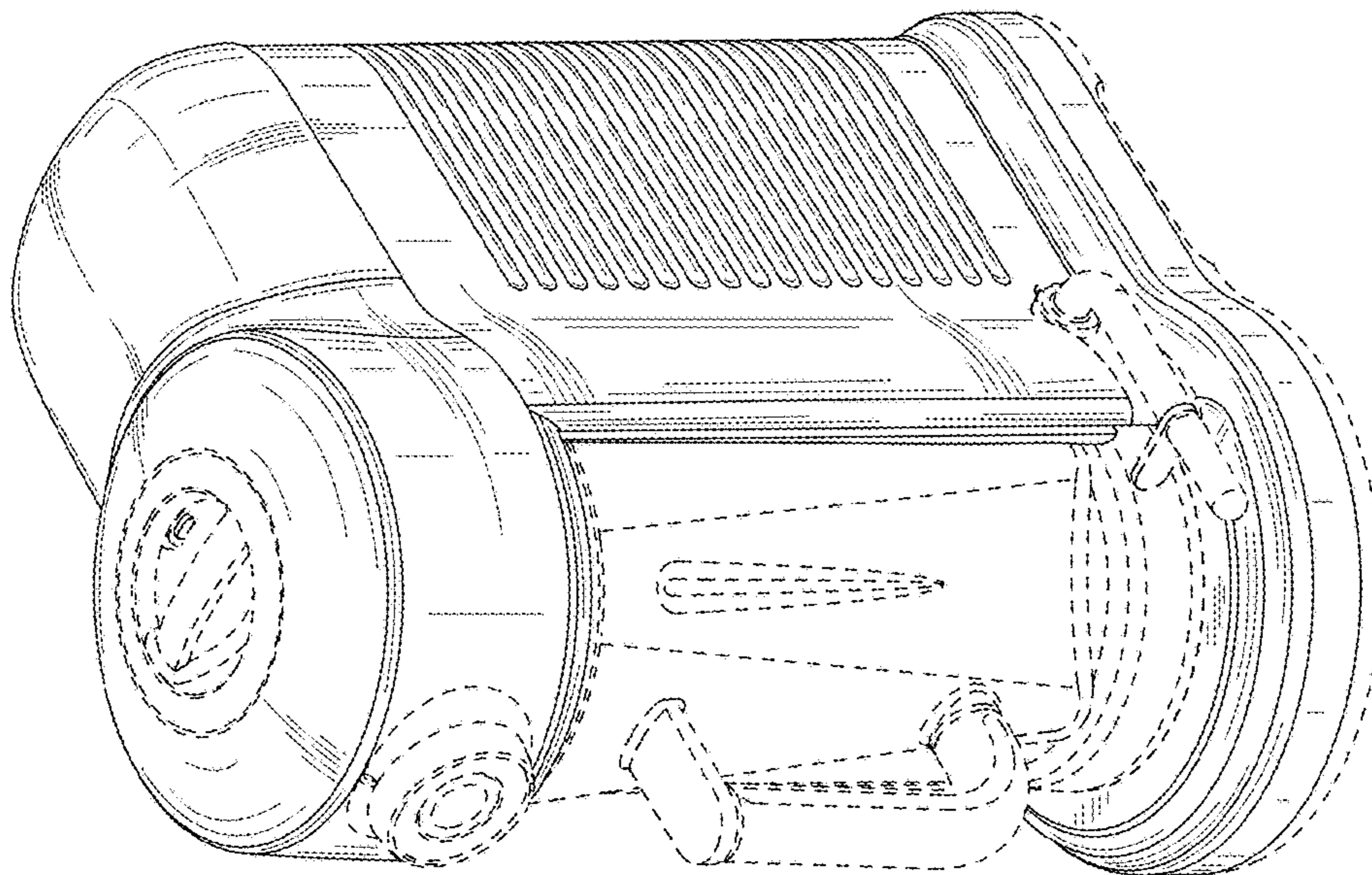


FIG. 1

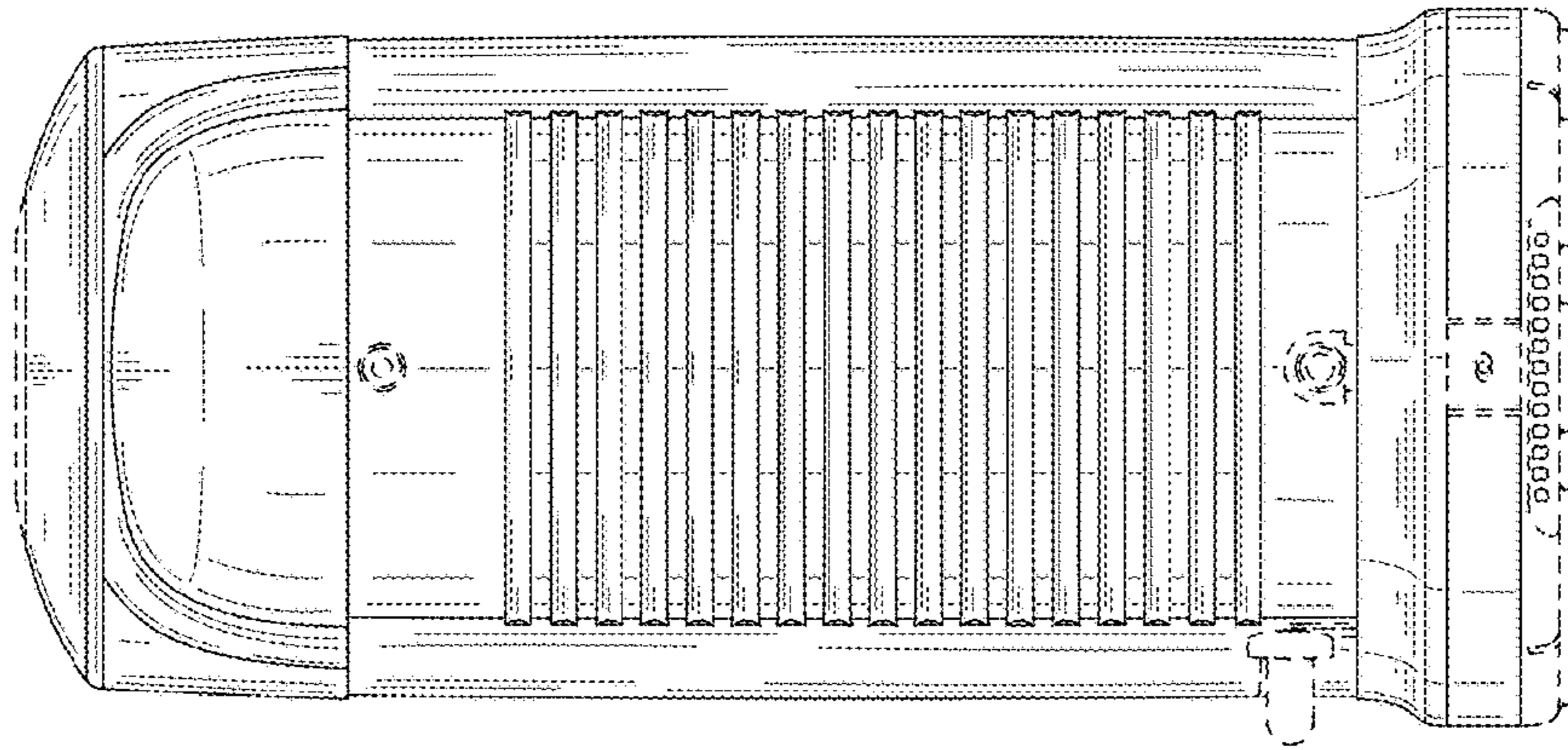


FIG. 4

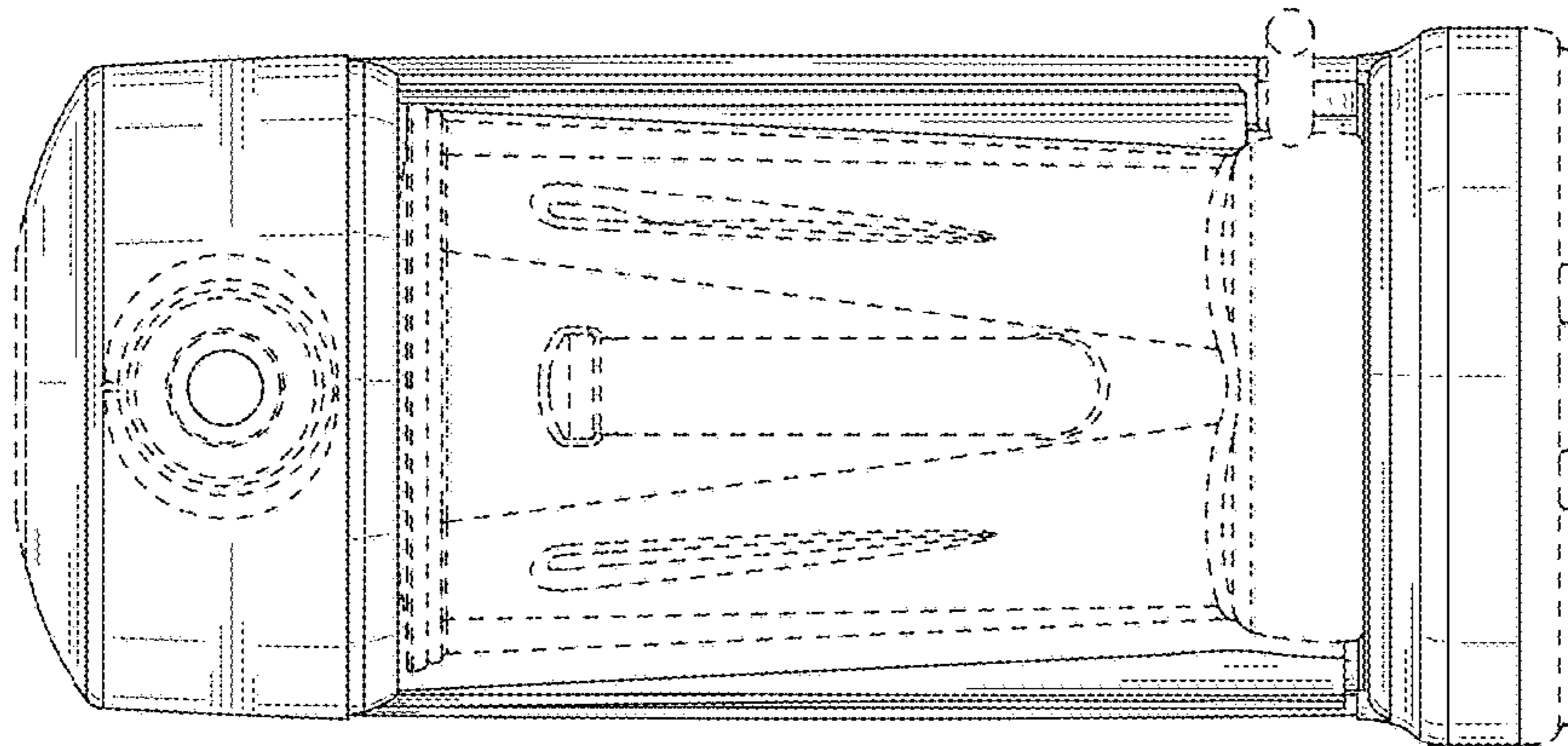


FIG. 3

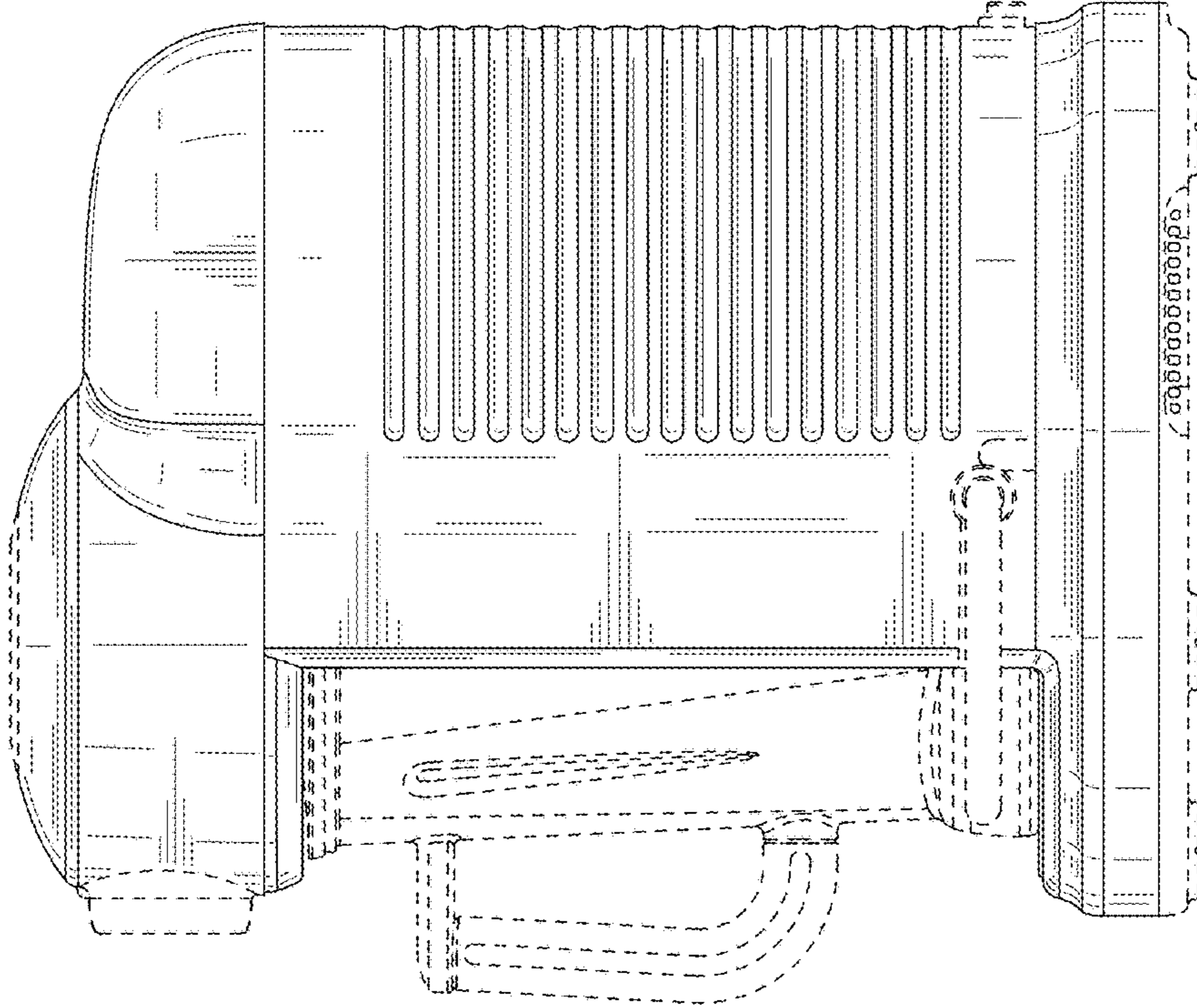


FIG. 5

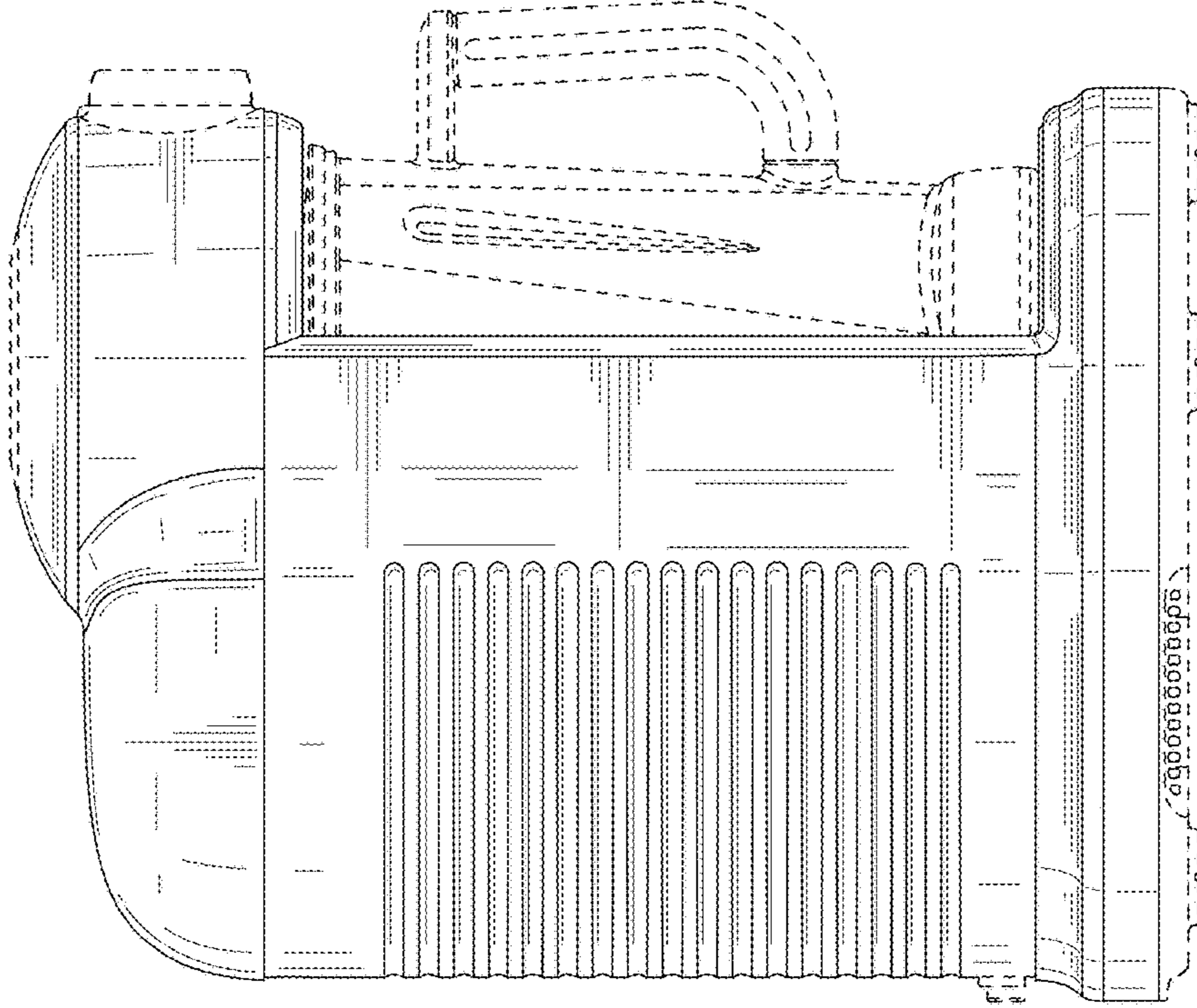


FIG. 6

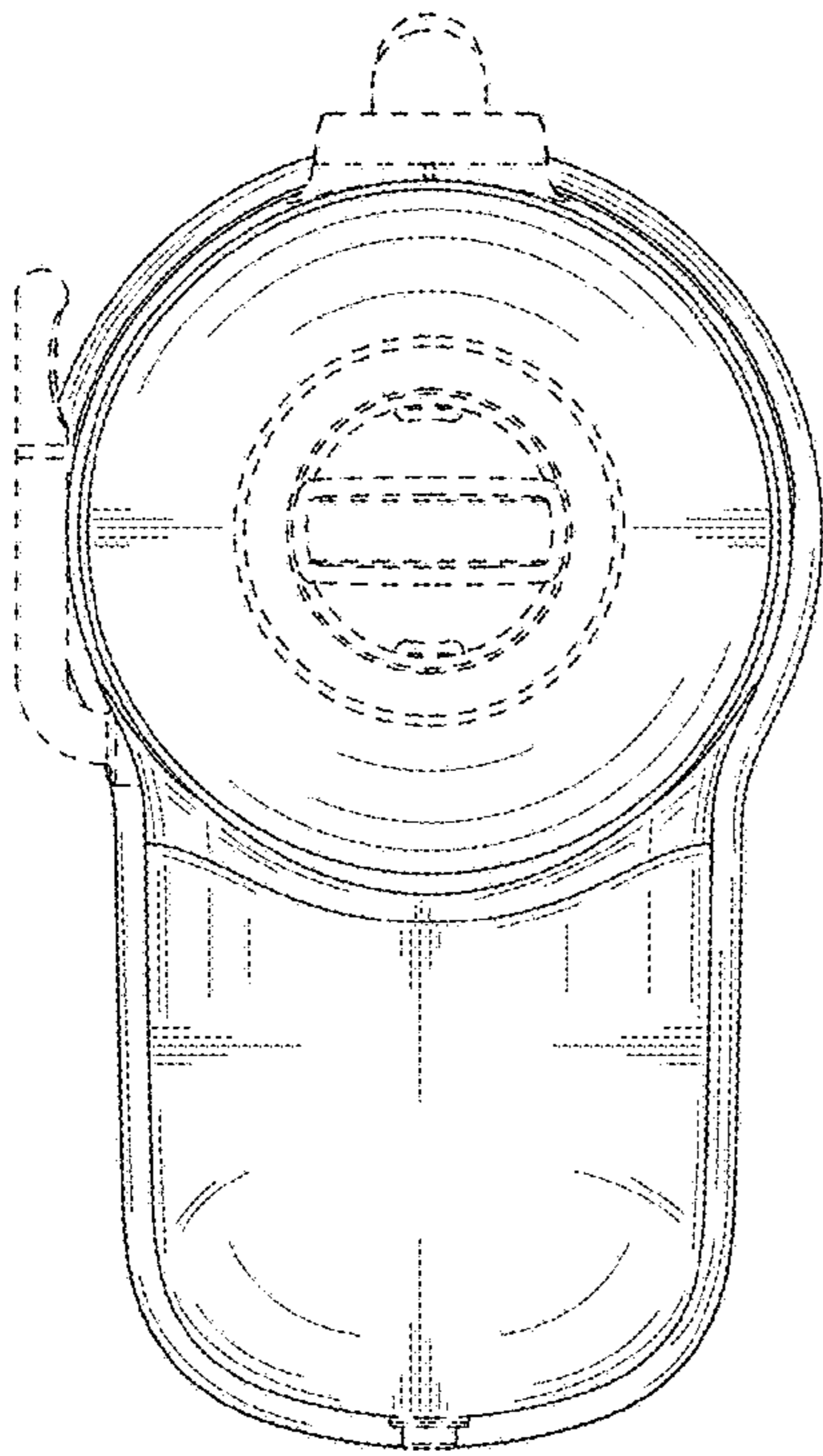


FIG. 7

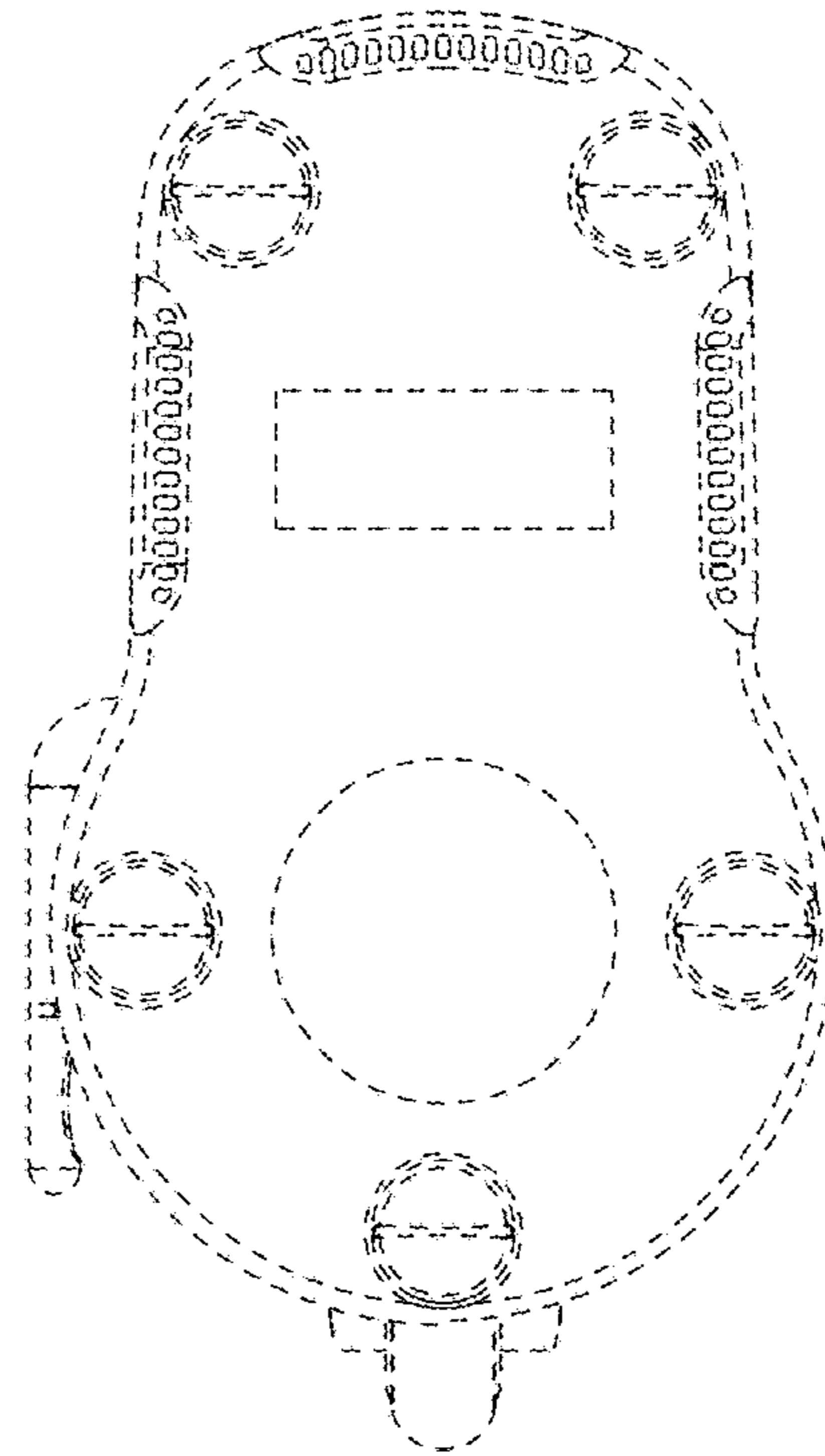


FIG. 8