



US00D772637S

(12) **United States Design Patent** (10) **Patent No.:** **US D772,637 S**
Barquin et al. (45) **Date of Patent:** **** Nov. 29, 2016**

- (54) **GRILL**
- (71) Applicant: **Spectrum Brands, Inc.**, Middleton, WI (US)
- (72) Inventors: **Javier Barquin**, Madison, WI (US);
Claudia Del Conte, Madison, WI (US);
Andres Moline, Miami, FL (US)
- (73) Assignee: **Spectrum Brands, Inc.**, Middleton, WI (US)
- (**) Term: **14 Years**
- (21) Appl. No.: **29/519,568**
- (22) Filed: **Mar. 5, 2015**
- (51) **LOC (10) Cl.** **07-02**
- (52) **U.S. Cl.**
USPC **D7/337**
- (58) **Field of Classification Search**
USPC D7/323-339, 352-353, 402-403, 609,
D7/501.1-501.4; 126/25 R, 41 R, 50;
D9/428, 429
CPC .. A47J 37/0611; A47J 37/06; A47J 37/0617;
A47J 37/07-37/0713; A47J 37/0763
See application file for complete search history.

(56) **References Cited**
U.S. PATENT DOCUMENTS

D423,280 S *	4/2000	Lin	D7/337
D451,333 S *	12/2001	Hsu	D7/350.4
D456,202 S *	4/2002	McNair	D7/332
6,418,923 B1 *	7/2002	Cantrell	A47J 37/0704 126/25 R
D478,462 S *	8/2003	Zhu	D7/332
D516,368 S *	3/2006	Zhang	D7/337
D560,978 S *	2/2008	Daams	D7/609
D726,490 S *	4/2015	Spencer	D7/332

D738,155 S *	9/2015	Chung	D7/334
D743,200 S *	11/2015	Pai	D7/337
D747,910 S *	1/2016	Costa	D7/337
2005/0229917 A1 *	10/2005	Profitt	A47J 37/0713 126/25 R
2014/0261012 A1 *	9/2014	Perez, Jr.	A47J 37/0704 99/403

OTHER PUBLICATIONS

George Foreman Indoor/Outdoor Grills website, <http://www.georgeformancooking.com/products/indoor-outdoor-grills.aspx/?page=1&filter.brand=George%20Foreman&filter.categorytier2=Indoor/Outdoor%20Grills>.

* cited by examiner

Primary Examiner — Susan Bennett Hattan

Assistant Examiner — Brett Miller

(74) *Attorney, Agent, or Firm* — Banner & Witcoff, Ltd.

(57) **CLAIM**

The ornamental design for a grill, as shown and described.

DESCRIPTION

FIG. 1 is a front perspective view of a grill showing our new design;

FIG. 2 is a front view thereof;

FIG. 3 is a rear view thereof;

FIG. 4 is a right side view thereof;

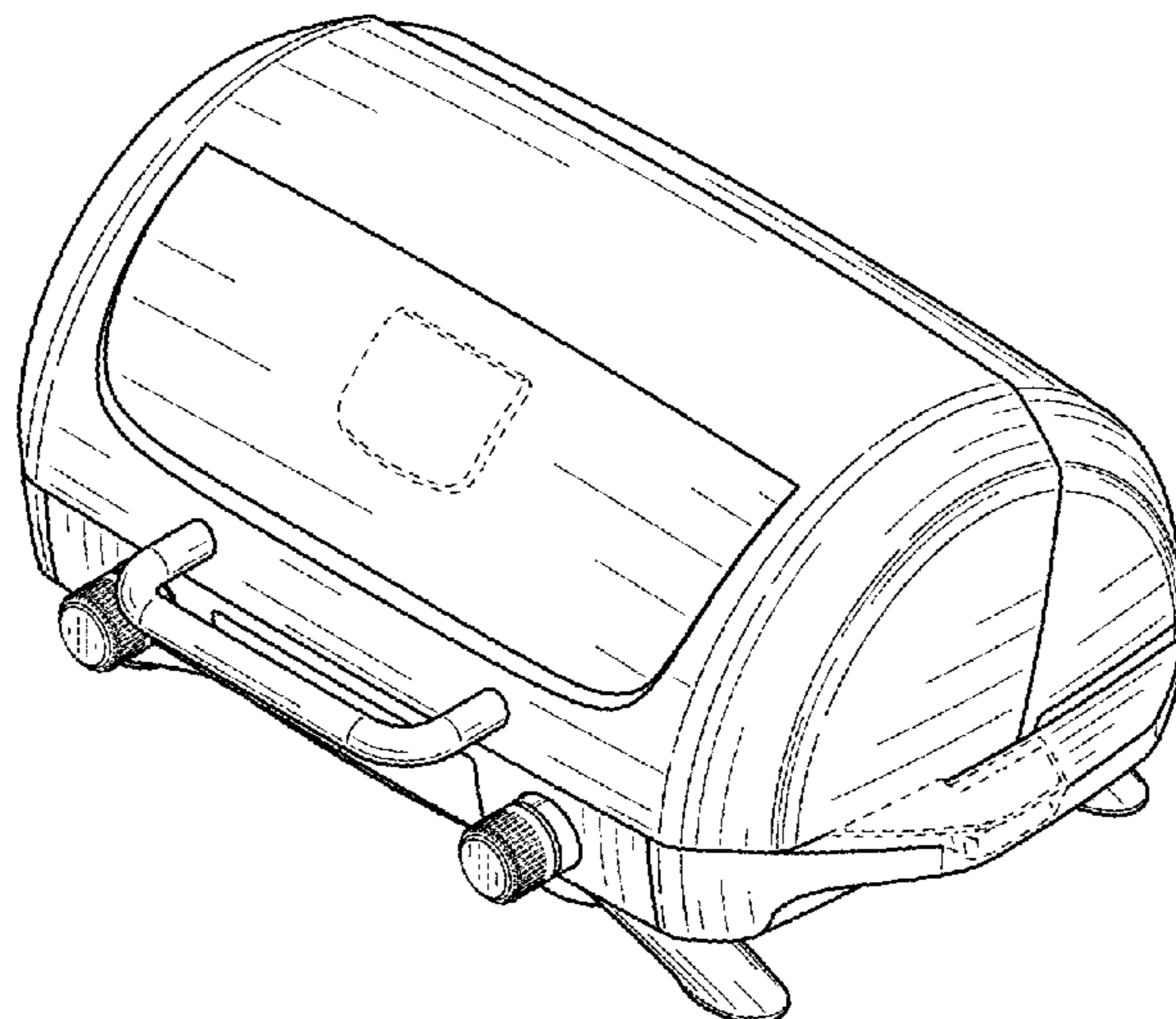
FIG. 5 is a left side view thereof;

FIG. 6 is top view thereof; and,

FIG. 7 is a bottom view thereof.

The broken lines, that are immediately adjacent to the shaded areas and define unshaded regions, represent the bounds of the claimed design. The broken lines that are shown within the broken line boundaries and the broken lines outside of the claim are directed to environment. The broken lines form no part of the claimed design.

1 Claim, 4 Drawing Sheets



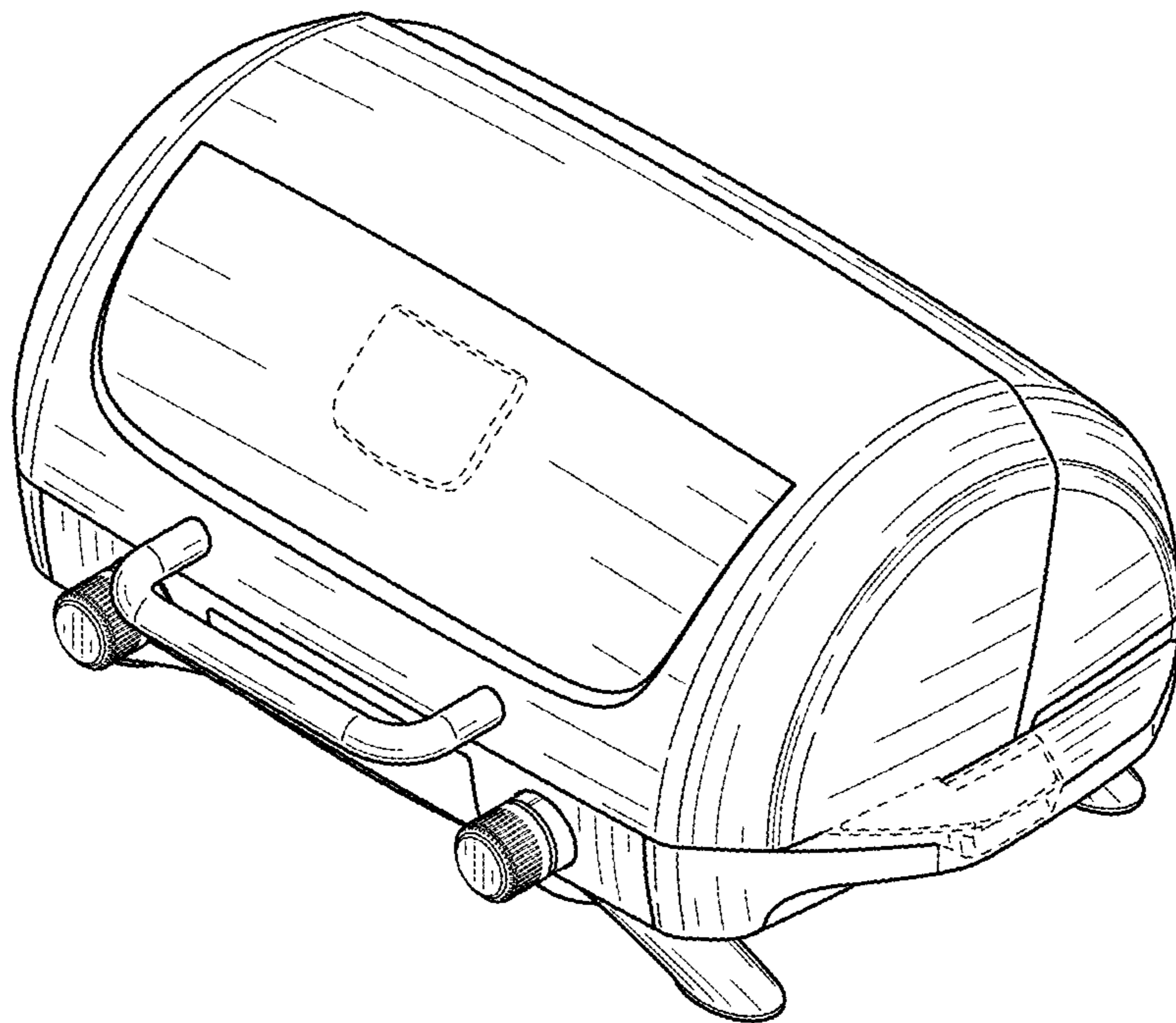


FIG. 1

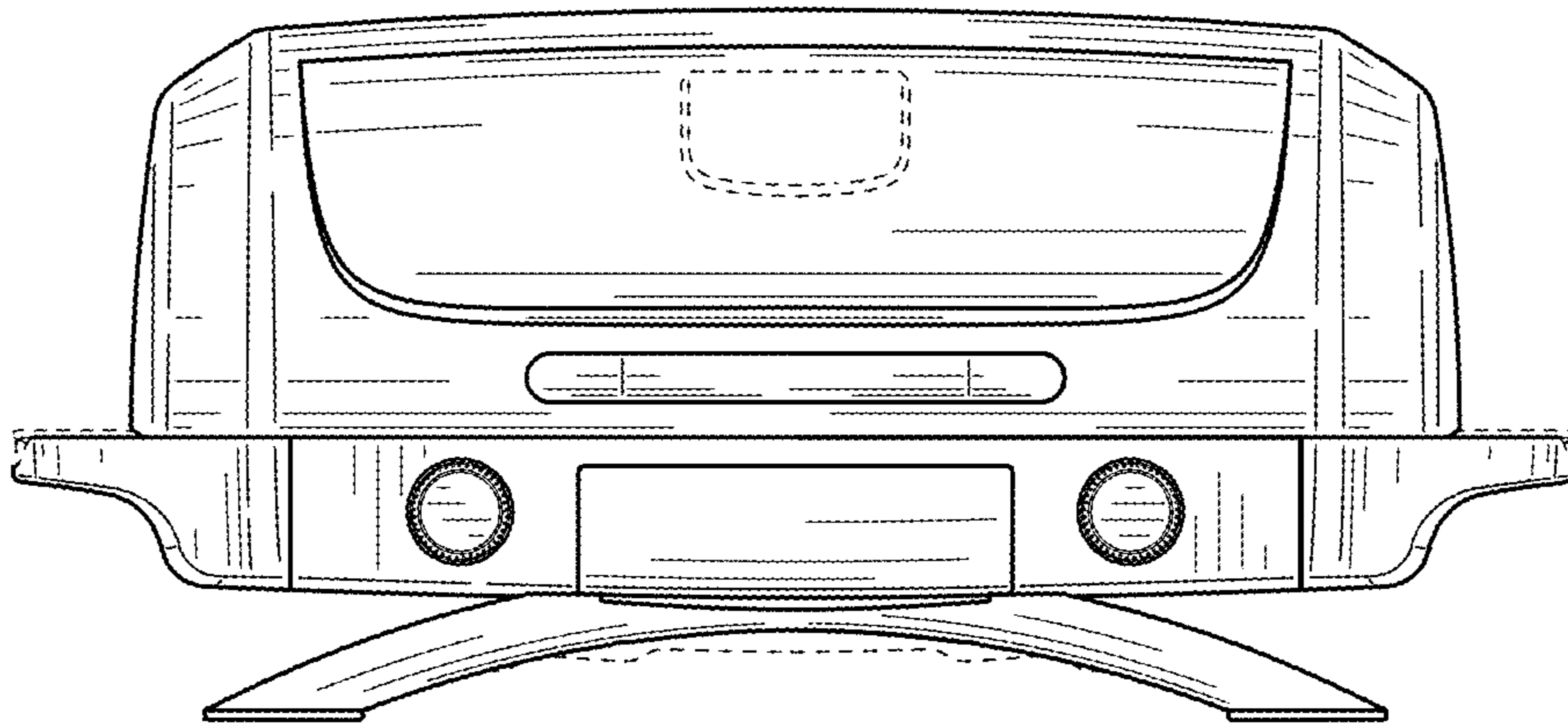


FIG. 2

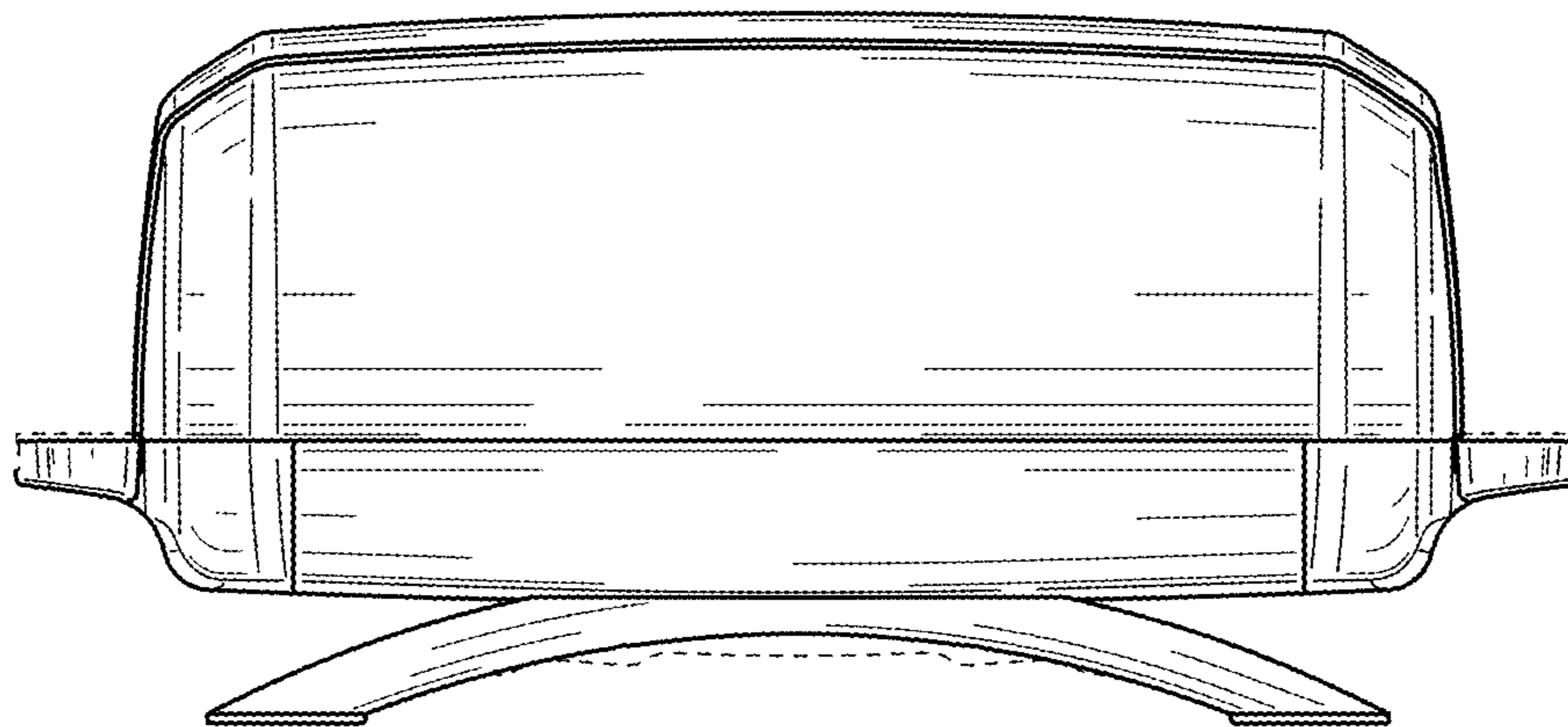


FIG. 3

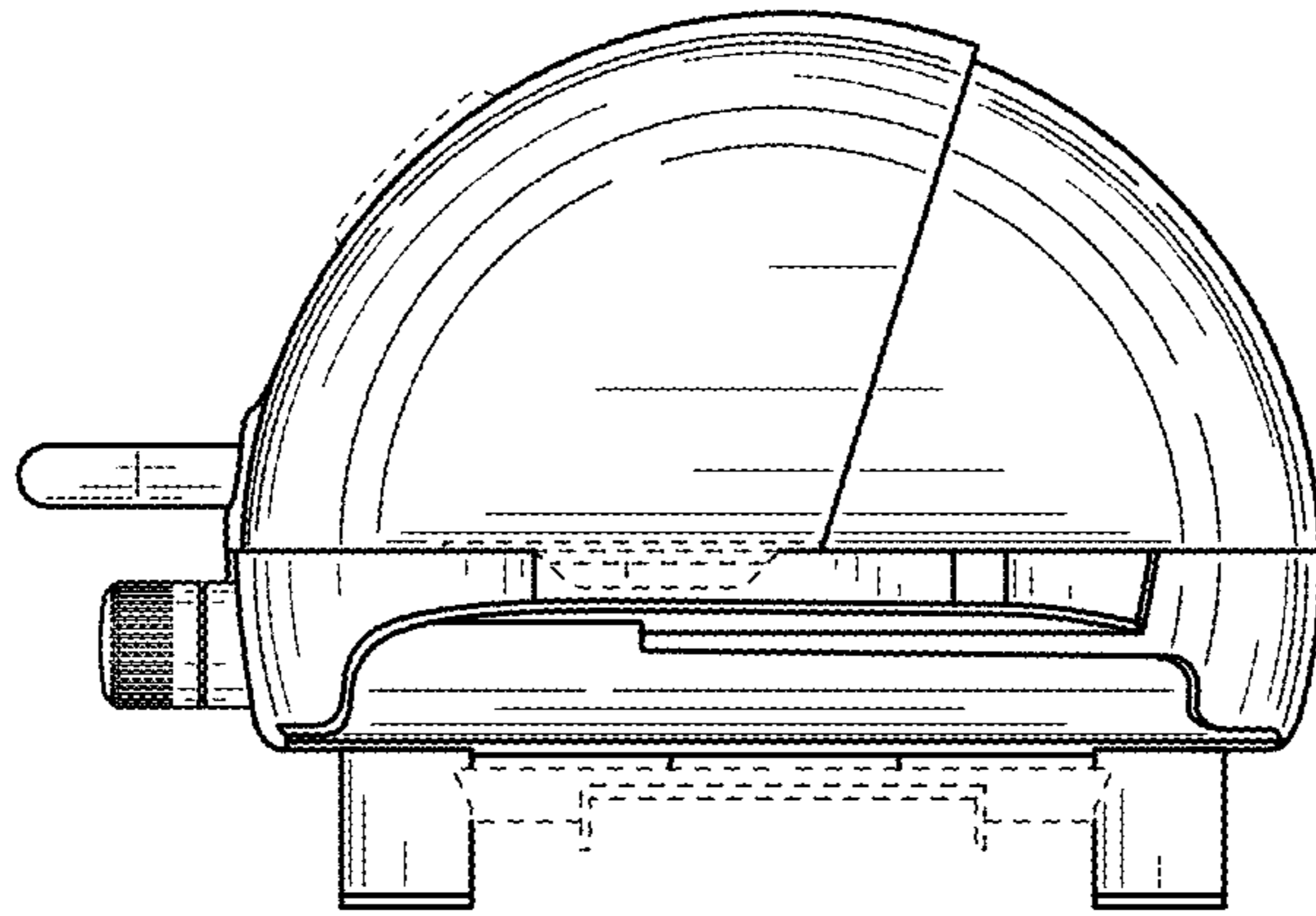


FIG. 4

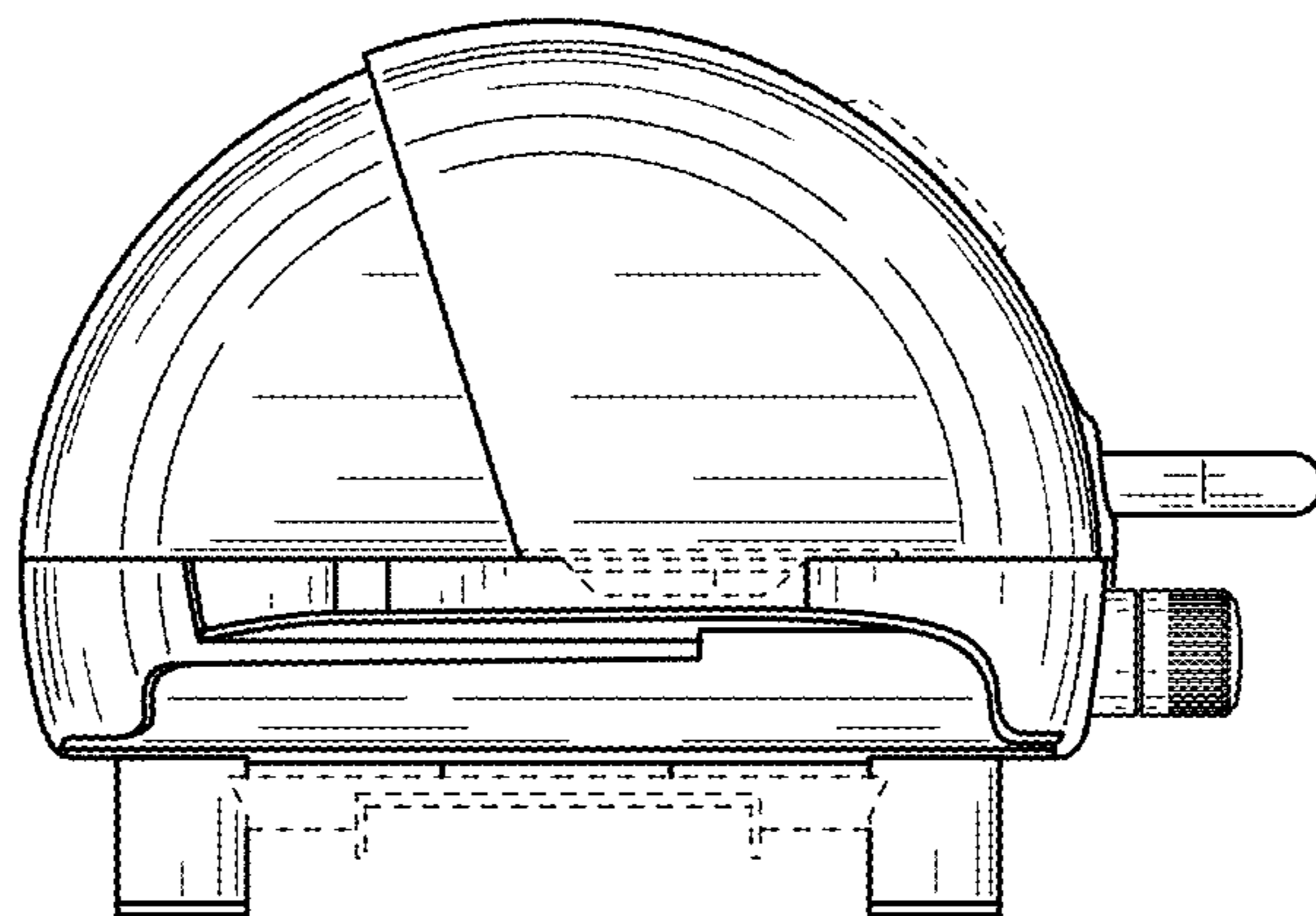


FIG. 5

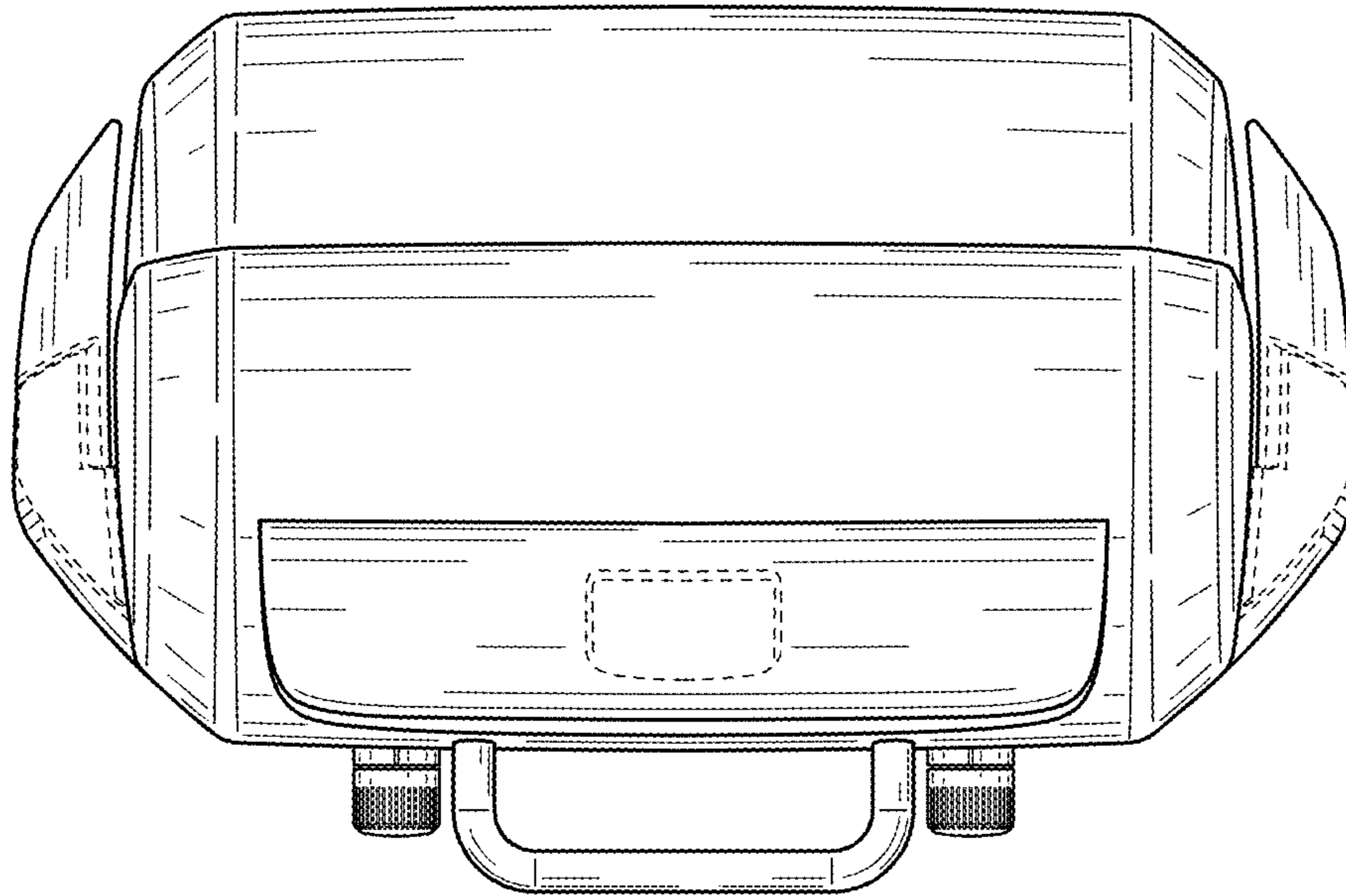


FIG. 6

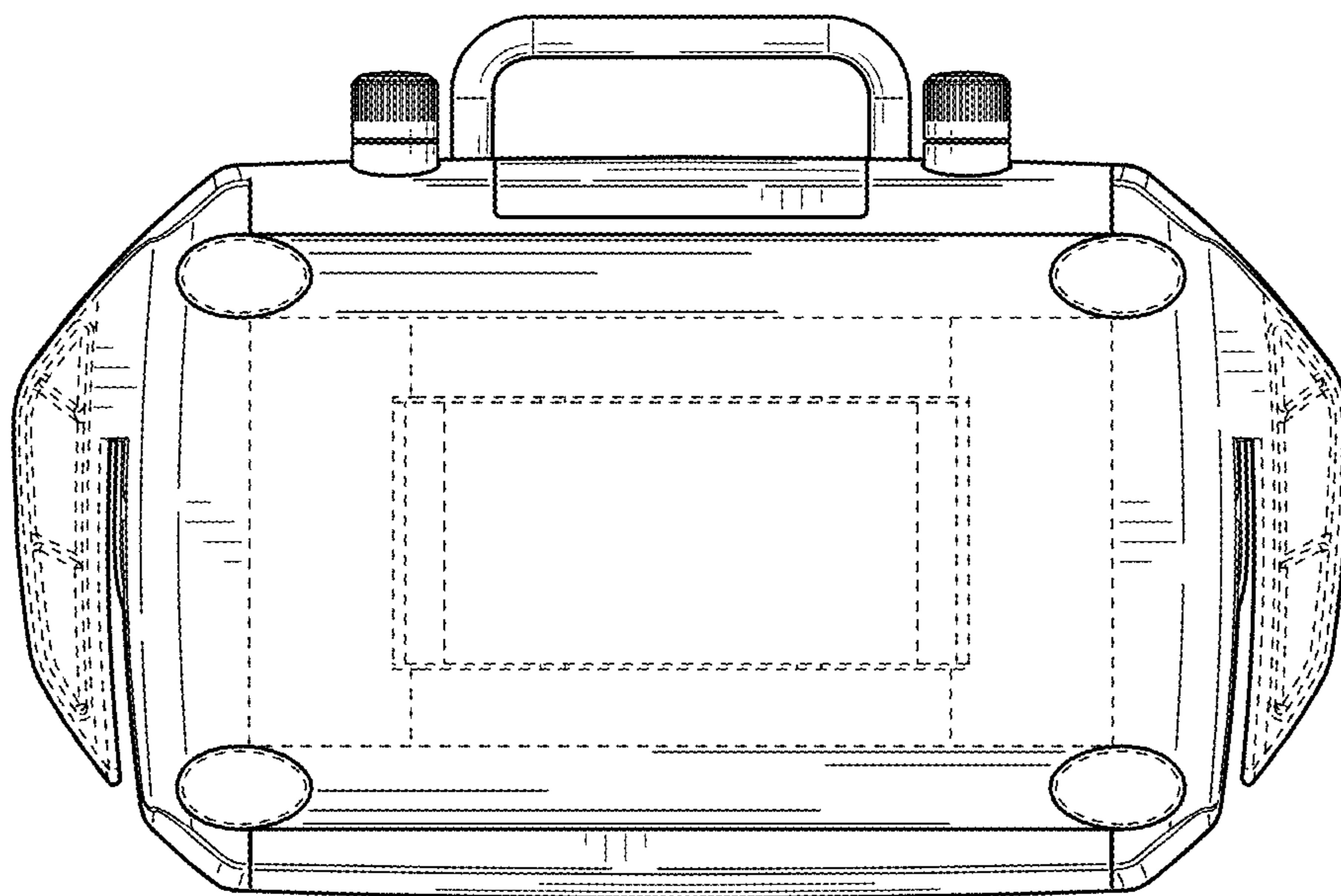


FIG. 7