



US00D772636S

(12) **United States Design Patent** (10) **Patent No.:** **US D772,636 S**  
**Barquin et al.** (45) **Date of Patent:** **\*\* Nov. 29, 2016**

(54) **GRILL**  
 (71) Applicant: **Spectrum Brands, Inc.**, Middleton, WI (US)  
 (72) Inventors: **Javier Barquin**, Madison, WI (US);  
**Claudia Del Conte**, Madison, WI (US);  
**Andres Moline**, Miami, FL (US)

D560,978 S \* 2/2008 Daams ..... D7/609  
 D726,490 S \* 4/2015 Spencer ..... D7/332  
 D738,155 S \* 9/2015 Chung ..... D7/334  
 D743,200 S \* 11/2015 Pai ..... D7/337  
 D747,910 S \* 1/2016 Costa ..... D7/337  
 2005/0229917 A1\* 10/2005 Proffitt ..... A47J 37/0713  
 126/25 R  
 2014/0261012 A1\* 9/2014 Perez, Jr. .... A47J 37/0704  
 99/403

(73) Assignee: **Spectrum Brands, Inc.**, Middleton, WI (US)

(\*\*) Term: **14 Years**

(21) Appl. No.: **29/519,575**

(22) Filed: **Mar. 6, 2015**

(51) **LOC (10) Cl.** ..... **07-02**

(52) **U.S. Cl.**  
 USPC ..... **D7/335**

(58) **Field of Classification Search**  
 USPC ..... D7/323-339, 352-353, 402-403, 609,  
 D7/501.1-501.4; 126/25 R, 41 R, 50;  
 D9/428, 429

CPC .. A47J 37/0611; A47J 37/06; A47J 37/0617;  
 A47J 37/07-37/0713; A47J 37/0763  
 See application file for complete search history.

(56) **References Cited**

U.S. PATENT DOCUMENTS

D423,280 S \* 4/2000 Lin ..... D7/337  
 D451,333 S \* 12/2001 Hsu ..... D7/350.4  
 D456,202 S \* 4/2002 McNair ..... D7/332  
 6,418,923 B1 \* 7/2002 Cantrell ..... A47J 37/0704  
 126/25 R  
 D478,462 S \* 8/2003 Zhu ..... D7/332  
 D516,368 S \* 3/2006 Zhang ..... D7/337

OTHER PUBLICATIONS

George Foreman Indoor/Outdoor Grills website, <http://www.georgeformancooking.com/products/indoor-outdoor-grills.aspx/?page=1&filter.brand=George%20Foreman&filter.categorytier2=Indoor/Outdoor%20Grills>.

\* cited by examiner

*Primary Examiner* — Susan Bennett Hattan

*Assistant Examiner* — Brett Miller

(74) *Attorney, Agent, or Firm* — Banner & Witcoff, Ltd.

(57) **CLAIM**

The ornamental design for a grill, as shown and described.

**DESCRIPTION**

FIG. 1 is a front perspective view of a grill showing our new design;

FIG. 2 is a front view thereof;

FIG. 3 is a rear view thereof;

FIG. 4 is a right side view thereof;

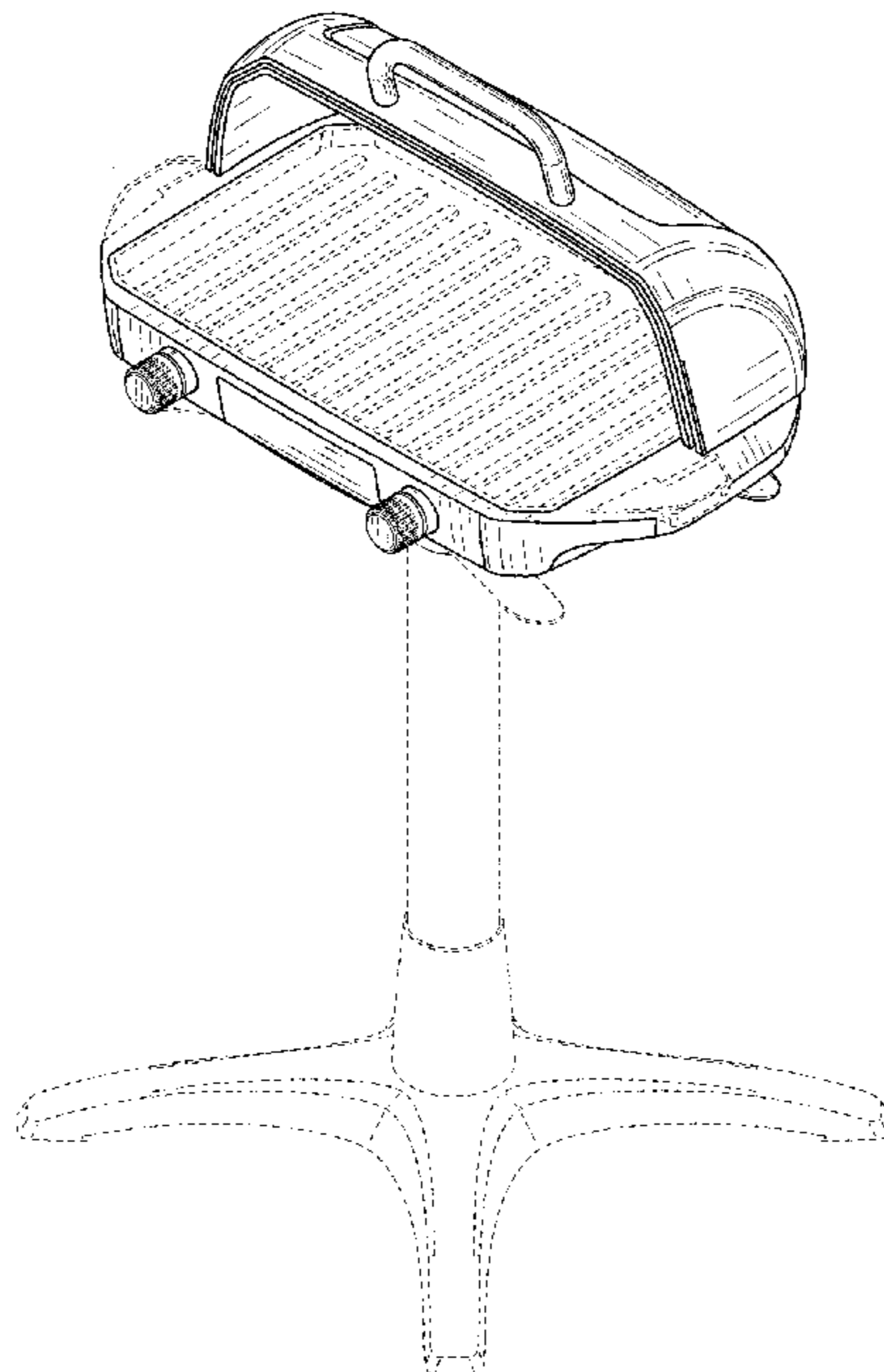
FIG. 5 is a left side view thereof;

FIG. 6 is top view thereof; and,

FIG. 7 is a bottom view thereof.

The broken line showing of various elements of the grill are for environmental purposes only and form no part of the claimed design.

**1 Claim, 6 Drawing Sheets**



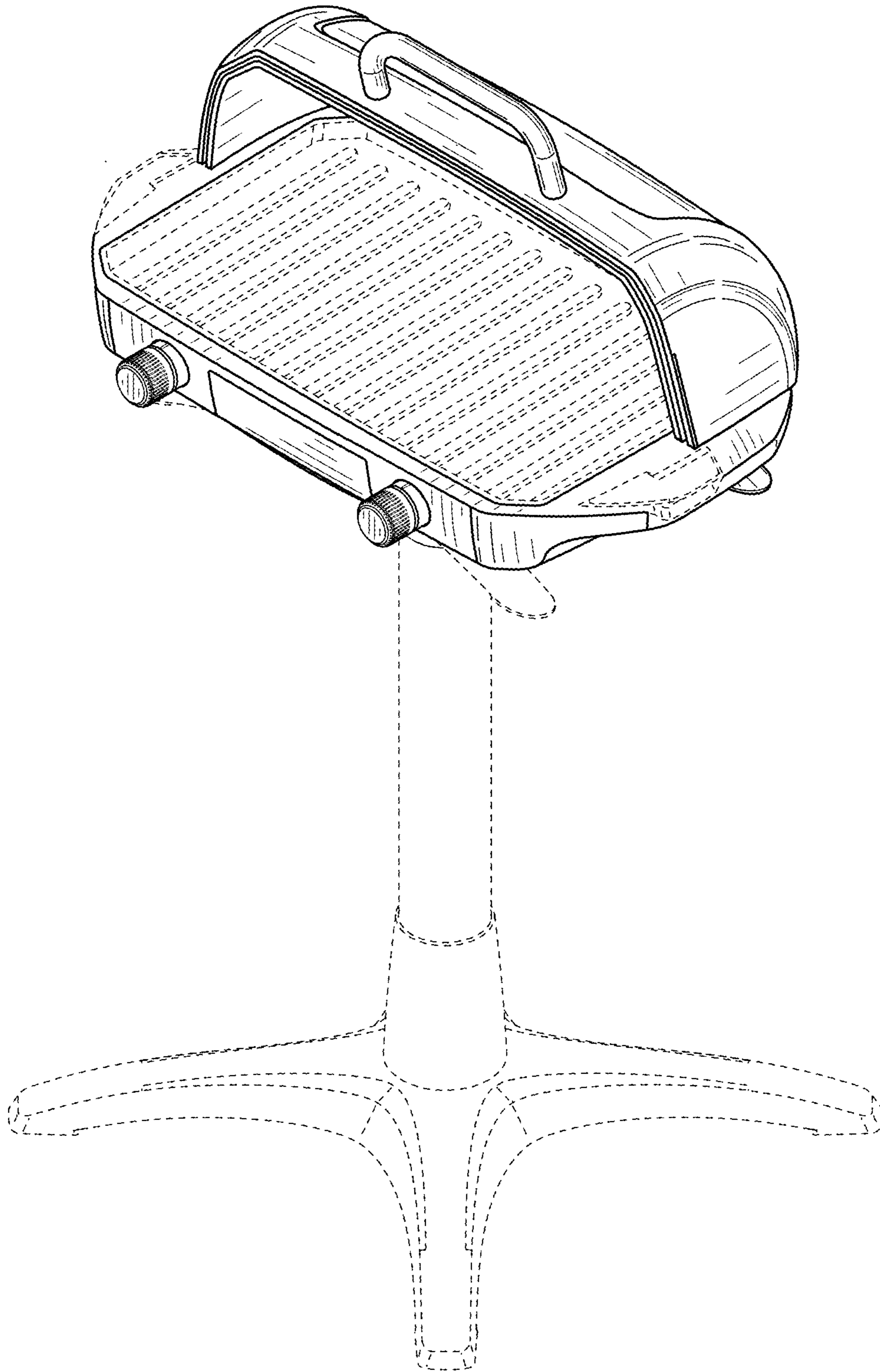


FIG. 1

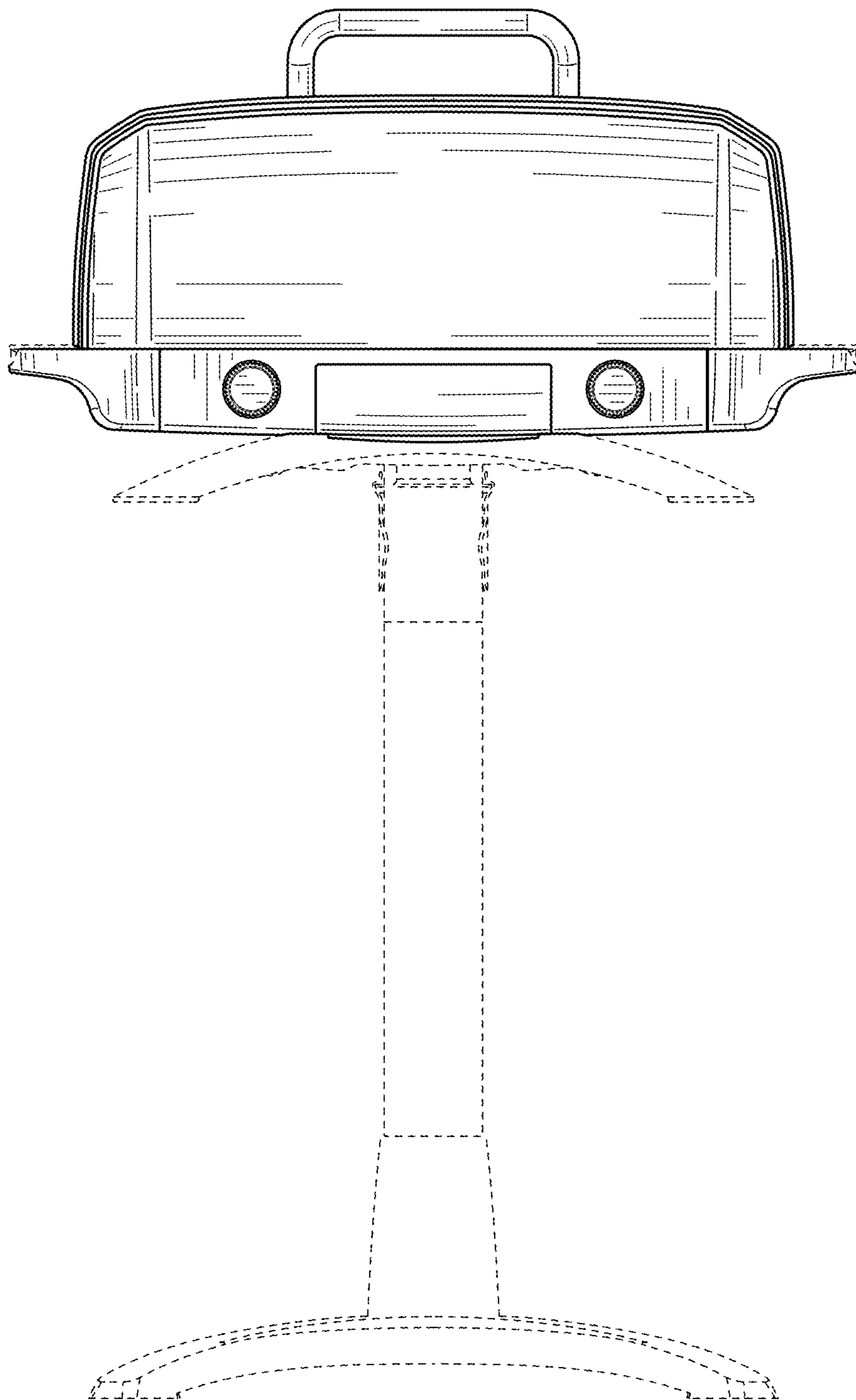


FIG. 2

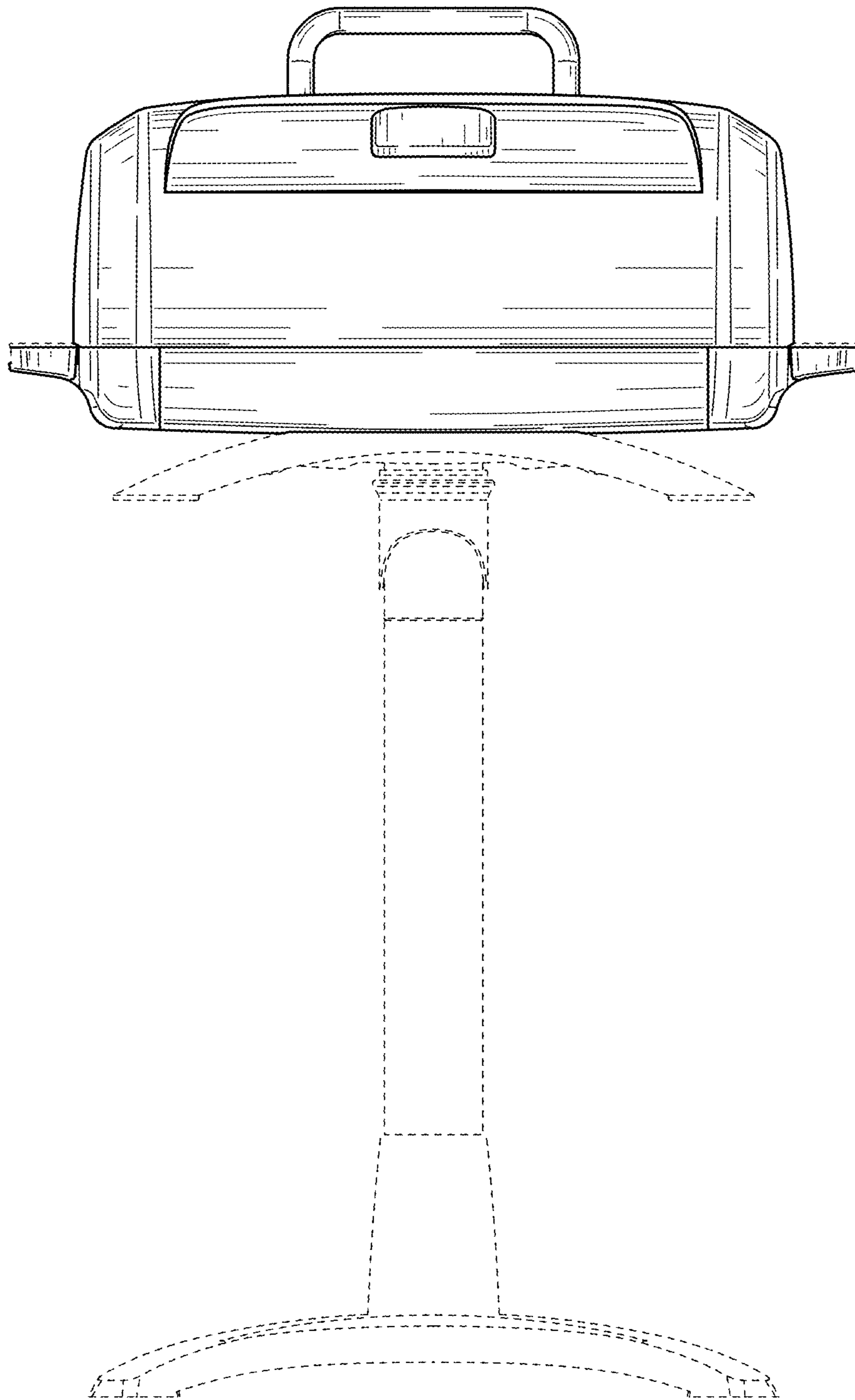


FIG. 3

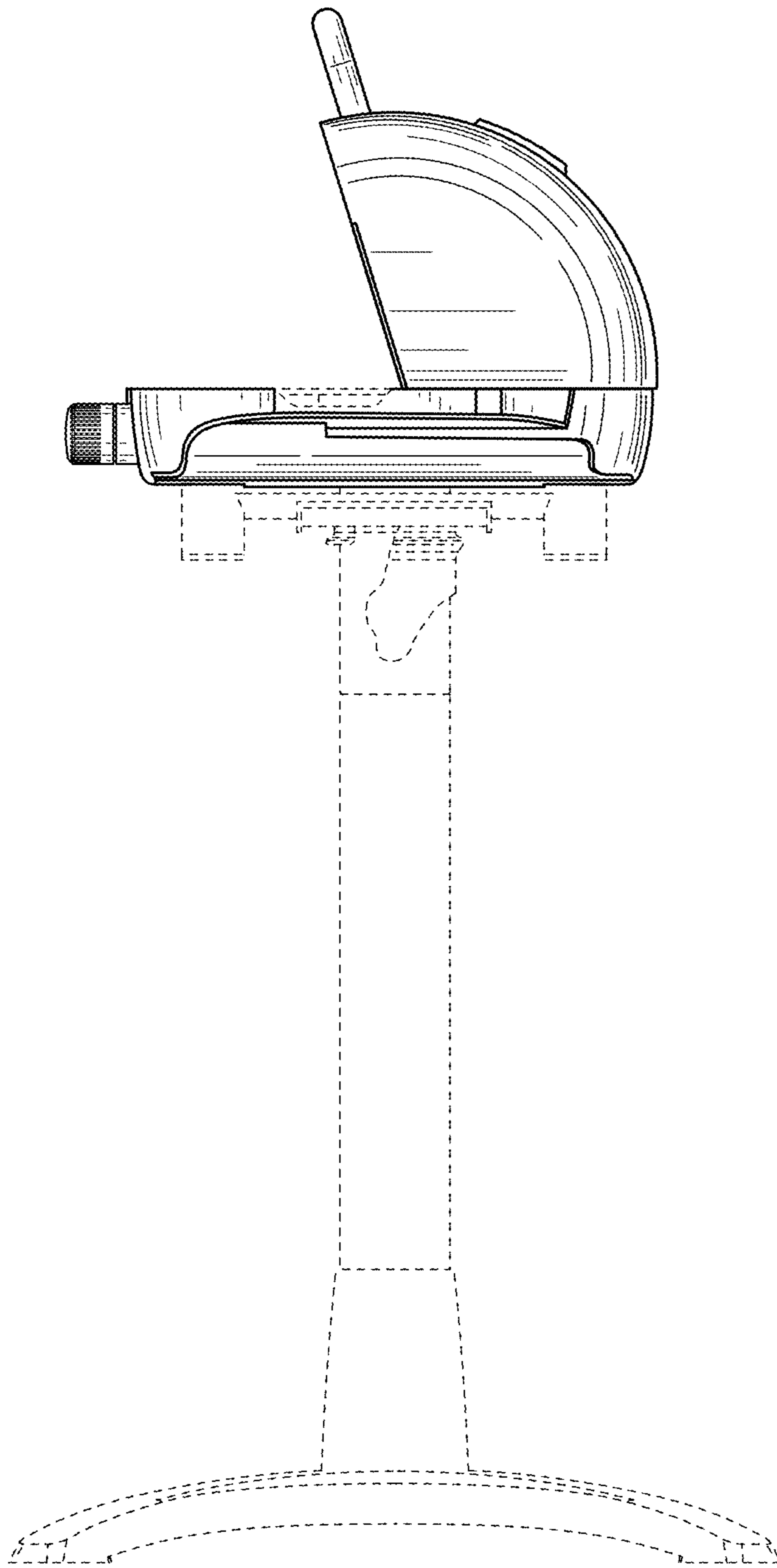


FIG. 4

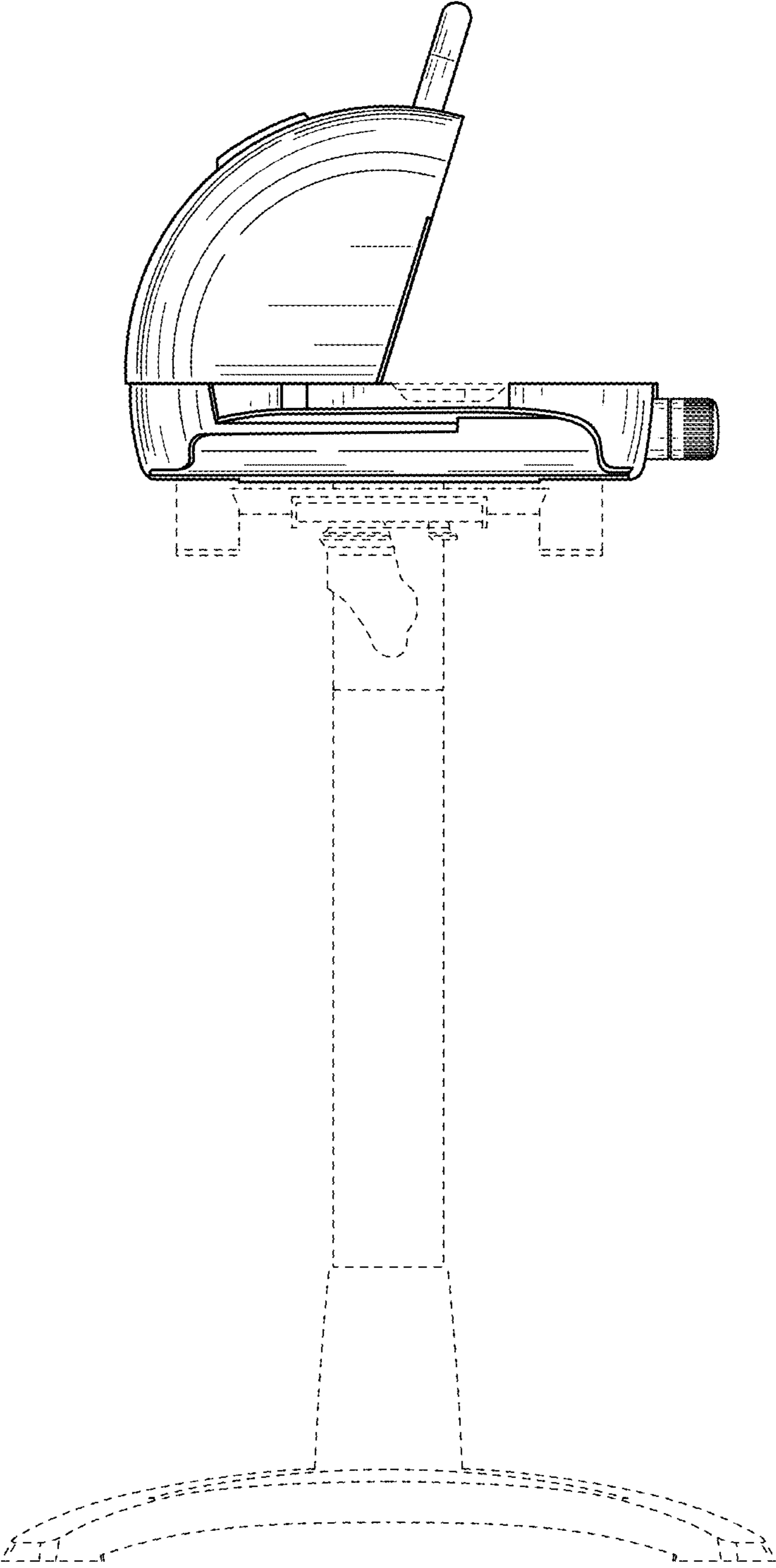


FIG. 5

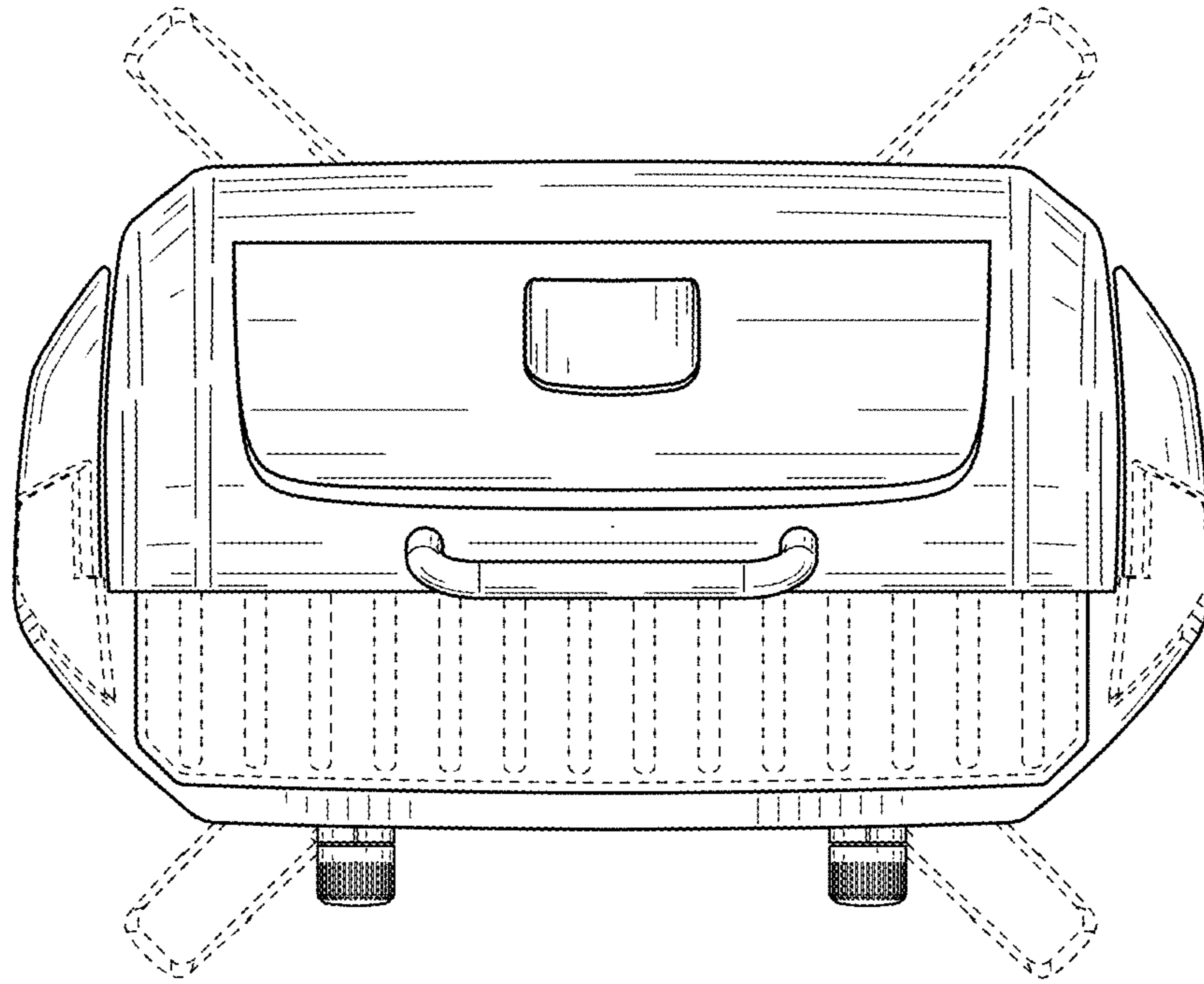


FIG. 6

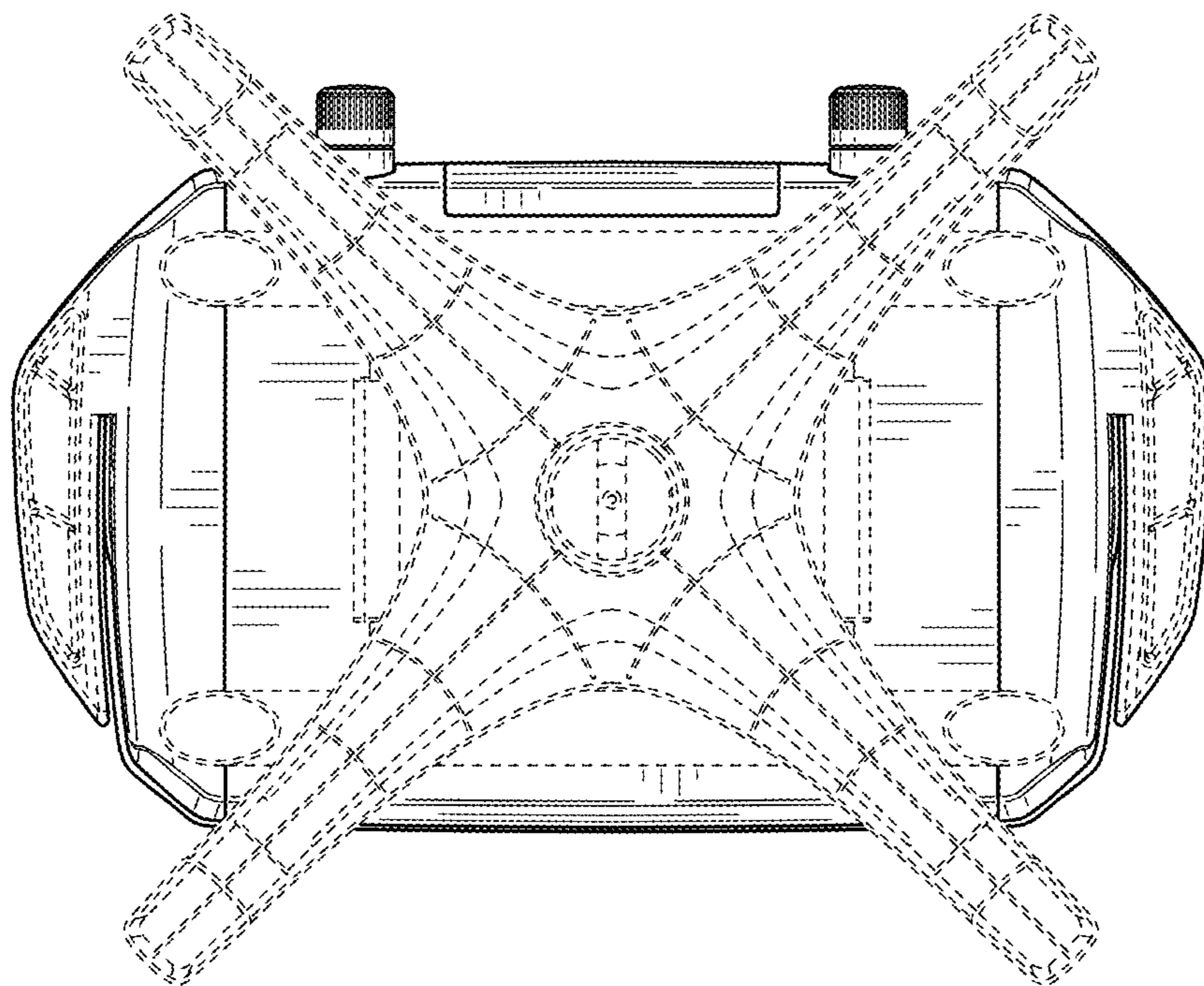


FIG. 7