



US00D772635S

(12) **United States Design Patent** (10) **Patent No.:** **US D772,635 S**
Zhu (45) **Date of Patent:** **** Nov. 29, 2016**

(54) **WATER PITCHER**
(71) Applicant: **Shou Qiang Zhu**, Ontario, CA (US)
(72) Inventor: **Shou Qiang Zhu**, Ontario, CA (US)
(73) Assignee: **IP Power Holdings Limited**, Hong Kong (CN)
(**) Term: **14 Years**
(21) Appl. No.: **29/519,775**
(22) Filed: **Mar. 7, 2015**
(51) **LOC (10) Cl.** **07-01**
(52) **U.S. Cl.**
USPC **D7/319; D7/317**
(58) **Field of Classification Search**
USPC D7/300.1, 510, 511, 598, 599, 600, 608, D7/515, 523, 312, 306, 300, 316-319, 400, D7/398; 169/71; D9/680; D22/112; 102/486; D29/125, 126; 220/713, 715, 220/739; D23/209; D10/46.2; 210/264, 210/321.6; 62/457.3
CPC A47G 19/22; A47G 21/18; A47G 19/00; A47G 19/12; A47G 19/127; A62C 13/003; A47J 43/044; F25D 2303/0831
See application file for complete search history.

(56) **References Cited**
U.S. PATENT DOCUMENTS
4,969,996 A * 11/1990 Hankammer B01D 36/001 210/282
D386,041 S * 11/1997 Tanner D7/317
D388,655 S * 1/1998 Flom D7/317
6,103,114 A * 8/2000 Tanner C02F 1/003 210/232
6,231,226 B1 * 5/2001 Neidigh A47G 19/12 366/256

D459,941 S * 7/2002 Miller D23/207
D584,913 S * 1/2009 Green D7/317
D585,231 S * 1/2009 Bulala D7/317
D594,690 S * 6/2009 Bursztein D7/317
D598,233 S * 8/2009 Ma D7/317
D604,088 S * 11/2009 Bursztein D7/317
D616,694 S * 6/2010 Kulikov D23/209
D626,777 S * 11/2010 Bell D7/317
D633,325 S * 3/2011 McArdle D7/317
8,080,160 B2 * 12/2011 Yanou B01D 61/16 210/321.6
D668,094 S * 10/2012 Broen D7/317
D675,861 S * 2/2013 Gray D7/317
D680,791 S * 4/2013 Bell D7/317
8,480,882 B2 * 7/2013 Cueman C02F 1/003 116/298
D708,888 S * 7/2014 Duran D7/317
D740,916 S * 10/2015 Doi D23/207

* cited by examiner

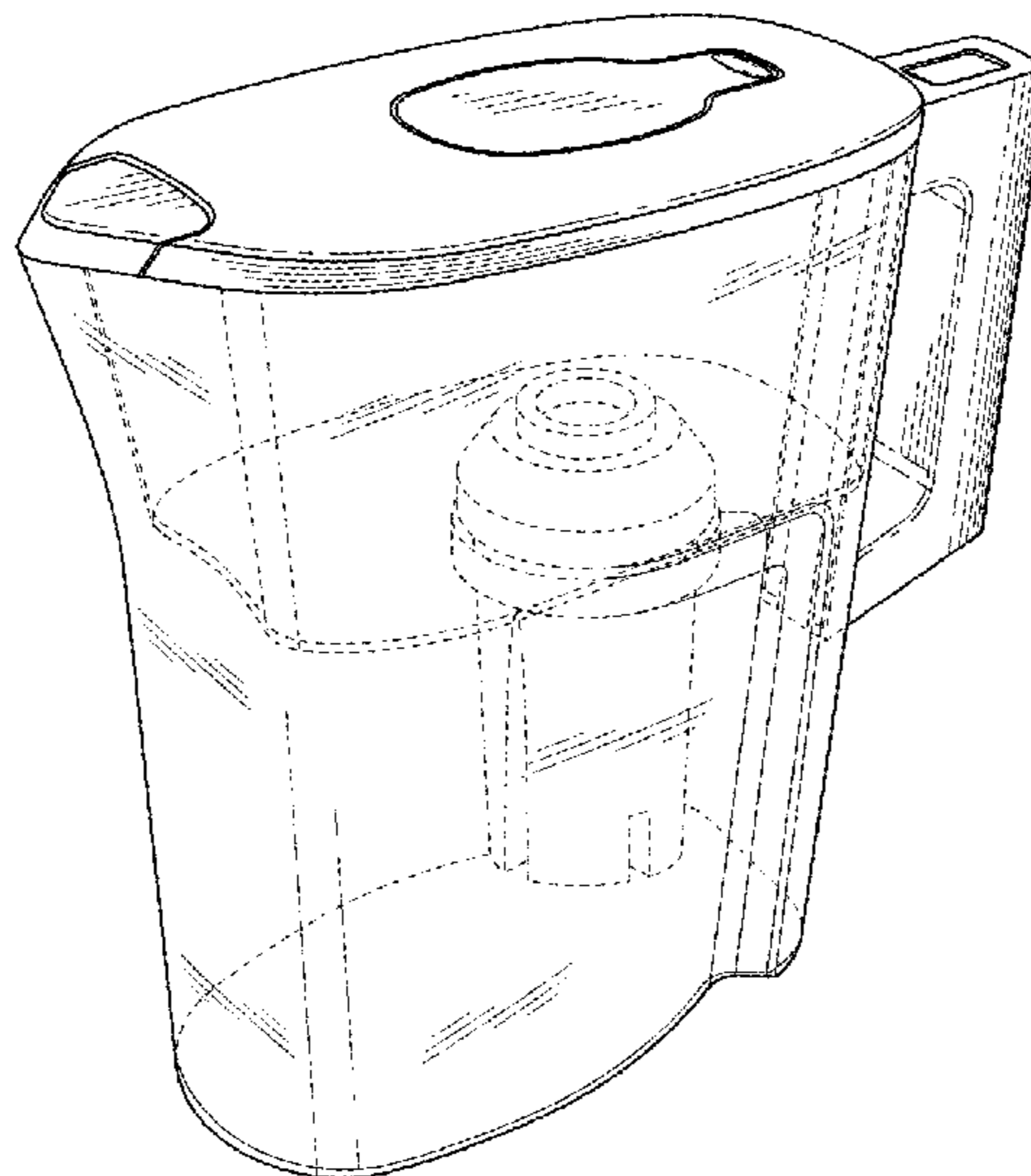
Primary Examiner — Marianne Pandozzi
(74) *Attorney, Agent, or Firm* — Che-Yang Chen; Law Offices of Scott Warmuth

(57) **CLAIM**
The ornamental design for a water pitcher, as shown and described.

DESCRIPTION

FIG. 1 is a perspective view of a water pitcher showing my new design;
FIG. 2 is a front elevational view thereof;
FIG. 3 is a rear elevational view thereof;
FIG. 4 is a right side elevational view thereof;
FIG. 5 is a left side elevational view thereof;
FIG. 6 is a top plan view thereof; and,
FIG. 7 is a bottom plan view thereof.
The broken lines in the drawing depict portions of the water pitcher that form no part of the claimed design.

1 Claim, 3 Drawing Sheets



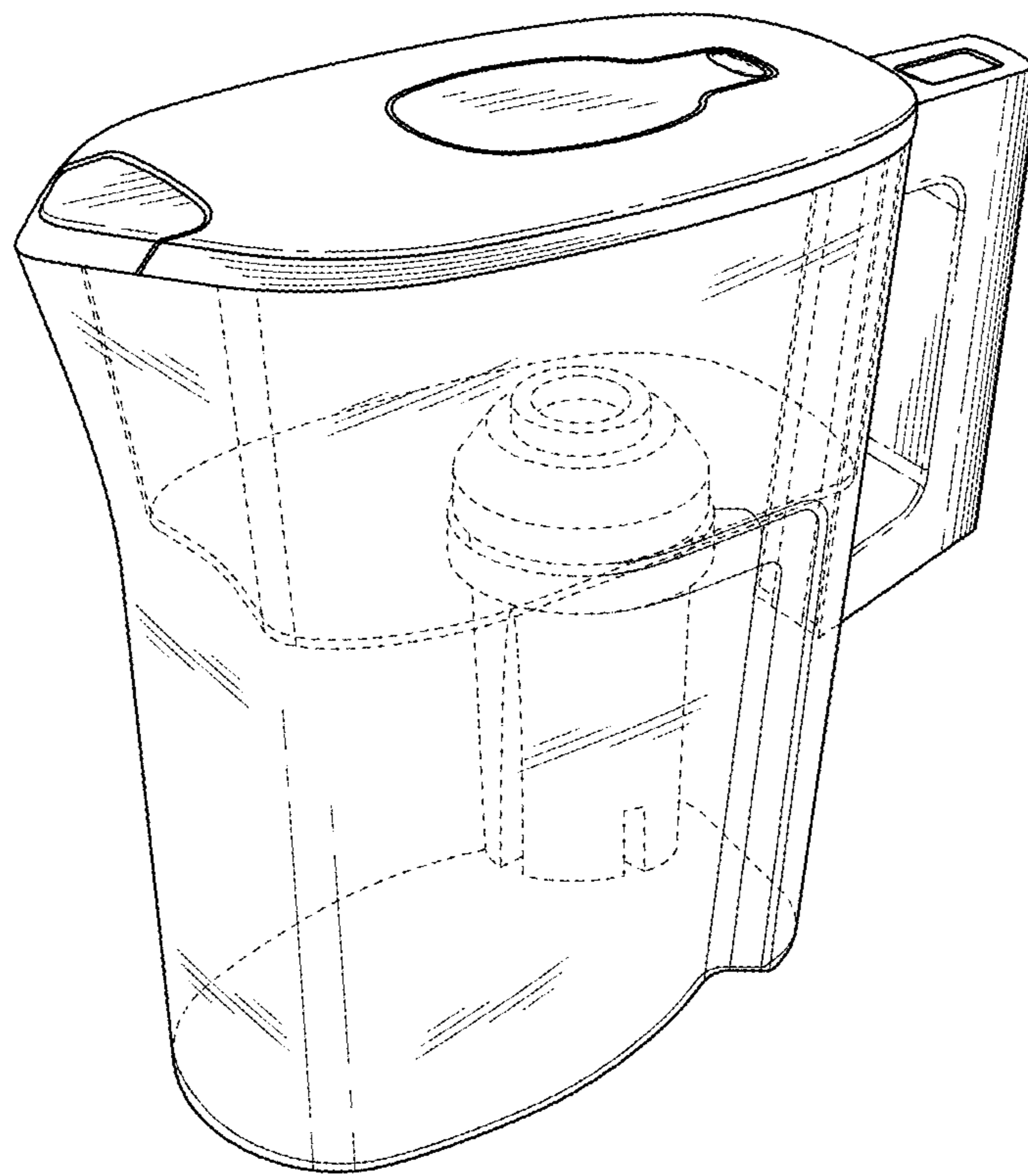


FIG. 1

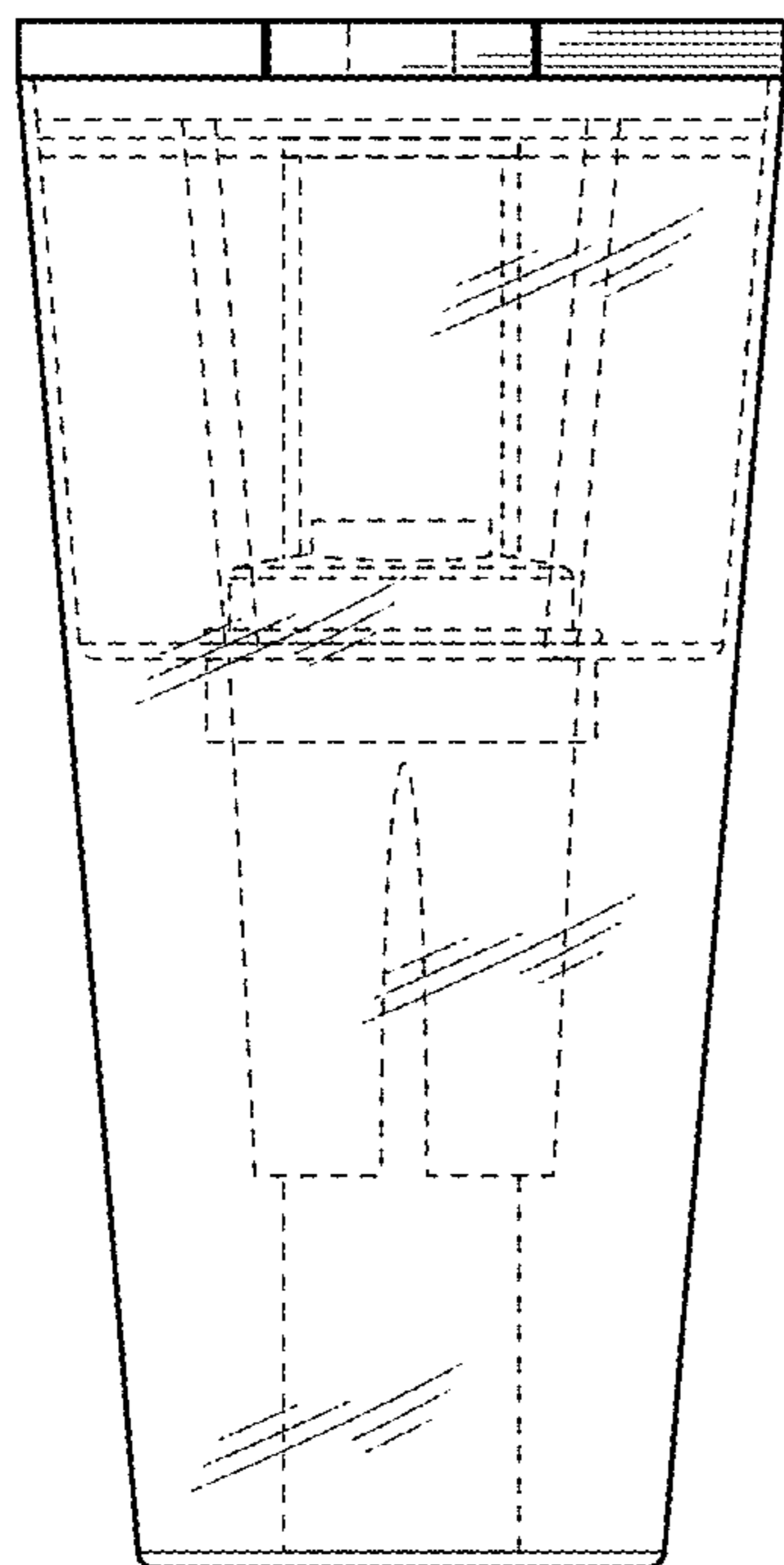


FIG. 2

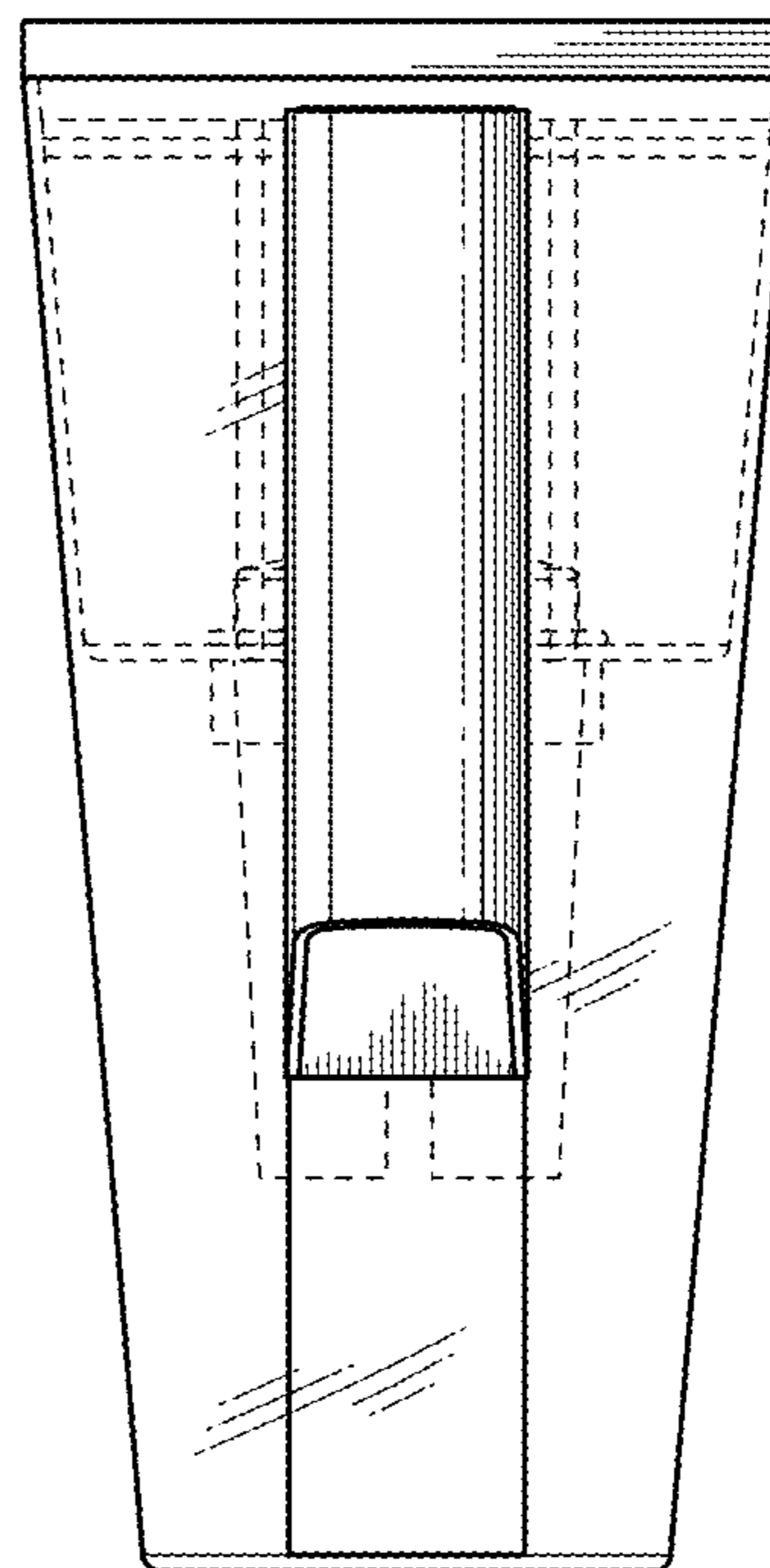


FIG. 3

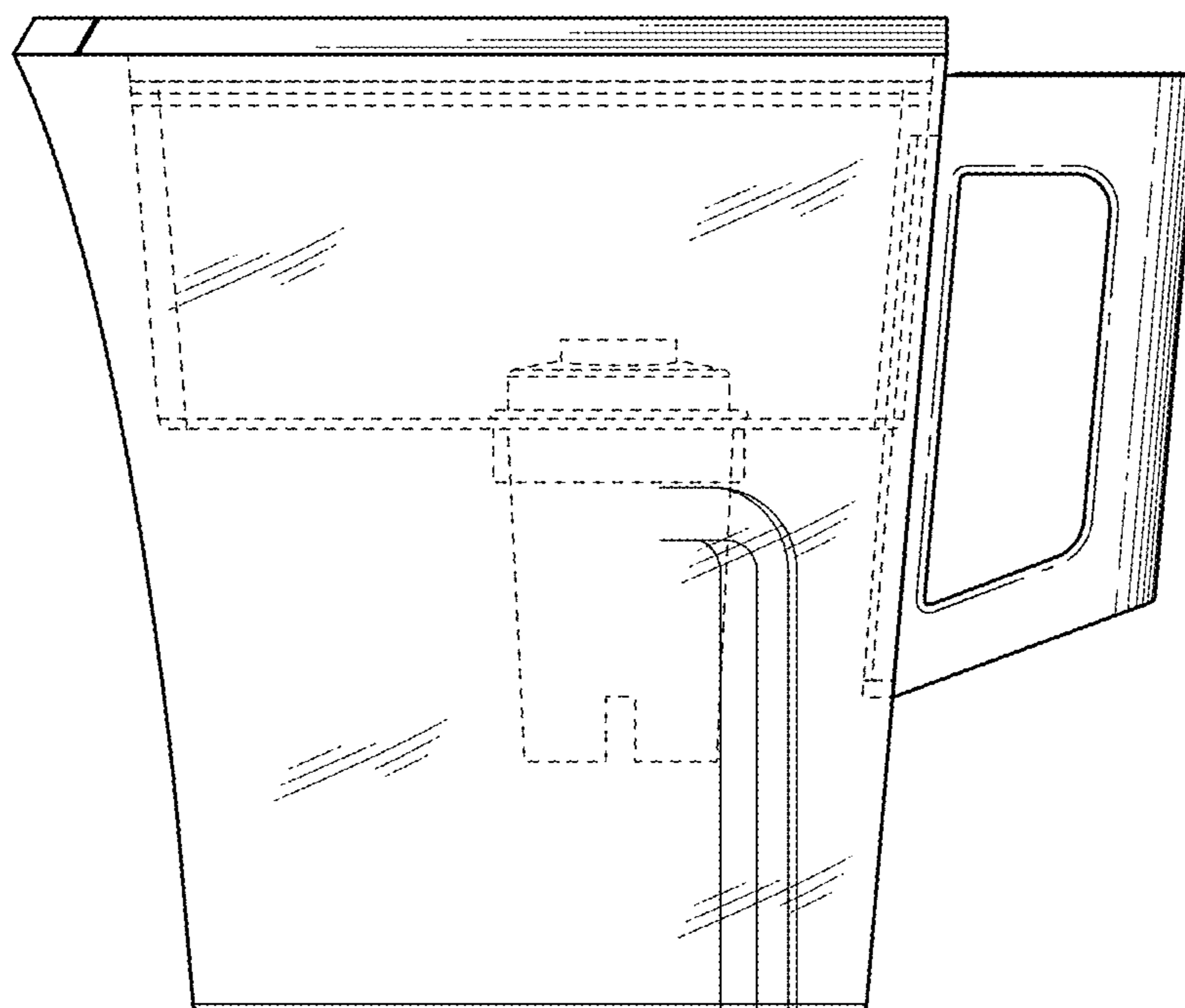


FIG. 4

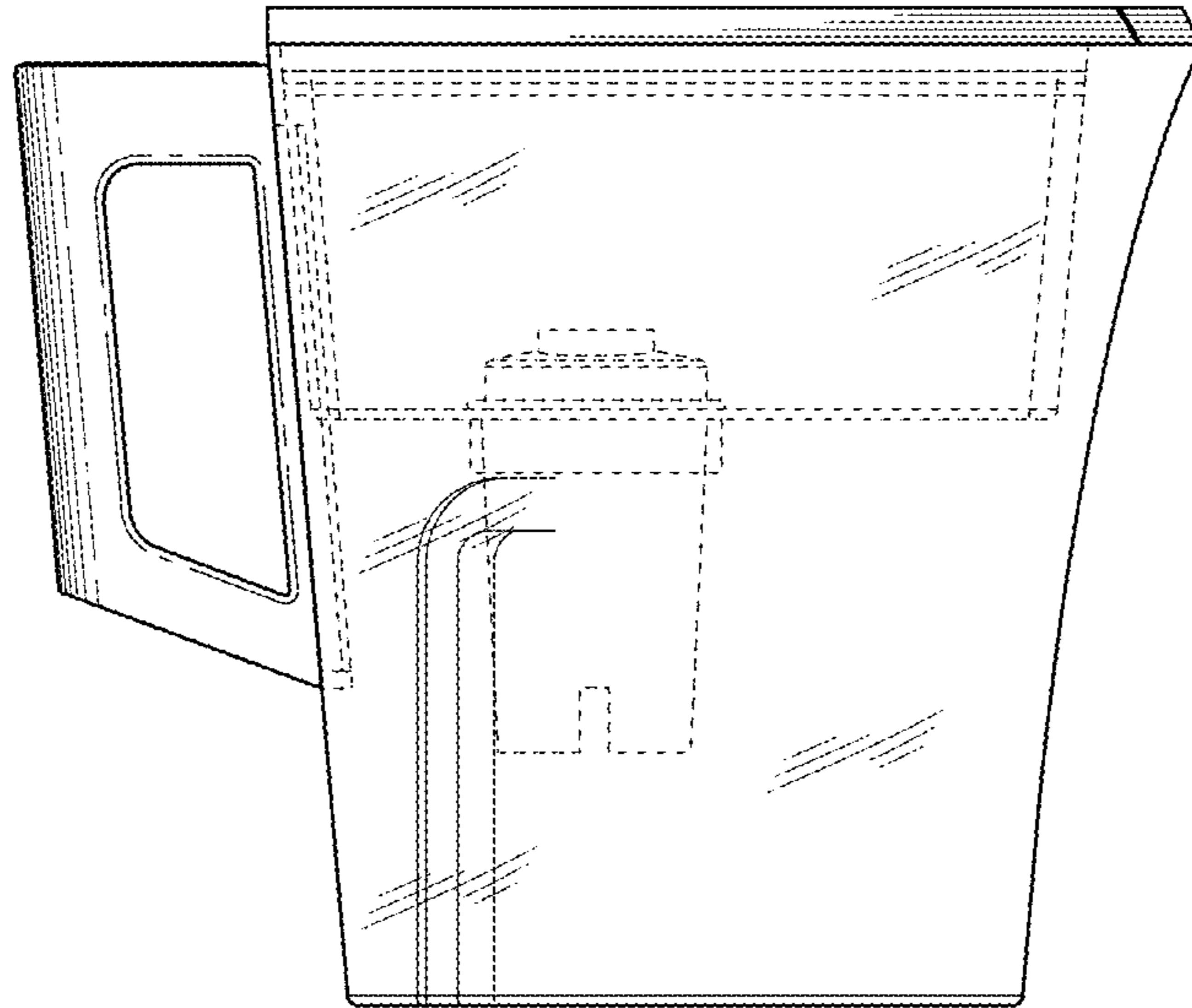


FIG. 5

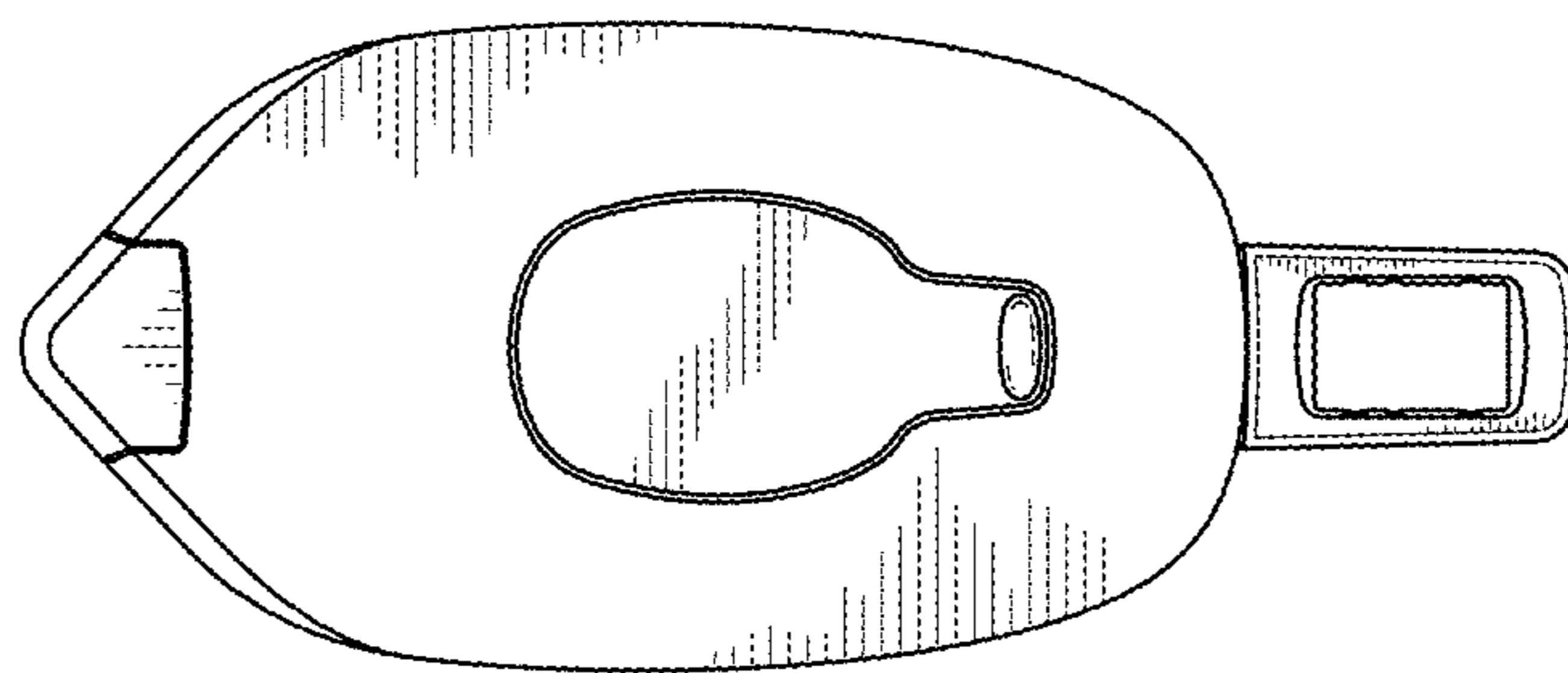


FIG. 6

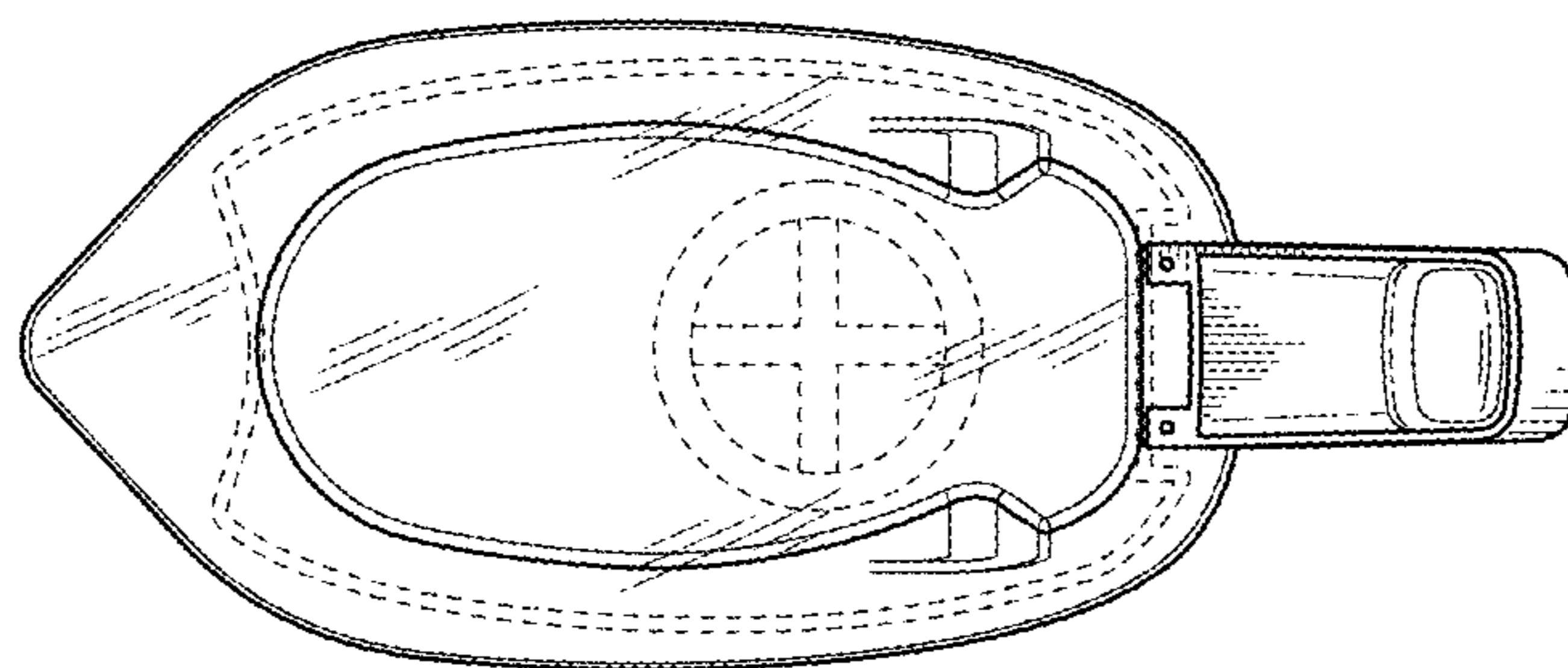


FIG. 7