

US00D772634S

(12) **United States Design Patent** (10) **Patent No.:** **US D772,634 S**  
**Kuboi** (45) **Date of Patent:** **\*\* Nov. 29, 2016**

- (54) **BEVERAGE DISPENSER**
- (71) Applicant: **The Coca-Cola Company**, Atlanta, GA (US)
- (72) Inventor: **Satoshi Kuboi**, Toyko (JP)
- (73) Assignee: **The Coca-Cola Company**, Atlanta, GA (US)
- (\*\*) Term: **15 Years**
- (21) Appl. No.: **29/537,113**
- (22) Filed: **Aug. 21, 2015**
- (51) **LOC (10) Cl.** ..... **07-01**
- (52) **U.S. Cl.**  
USPC ..... **D7/307; D7/308; D7/311**
- (58) **Field of Classification Search**  
USPC ..... D7/300, 309-311, 306-308, 305, 355, D7/362, 365, 367; 222/146.6, 185.1, 135; 99/295, 273, 304, 288, 279, 307, 283  
CPC ..... A47J 31/46; A47J 31/407; A47J 31/50; A47J 31/18; A47J 31/00; A47J 27/04; A47J 31/0573; A47J 31/52  
See application file for complete search history.

- (56) **References Cited**  
U.S. PATENT DOCUMENTS

D183,532 S	9/1958	McCauley	
D206,519 S	12/1966	Wolfe	
D242,084 S	10/1976	Moreton	
D272,975 S *	3/1984	Miller	..... D7/309
D272,976 S	3/1984	LaLumiere	
D284,925 S	8/1986	Jacobs et al.	
D297,697 S	9/1988	Fossella	
D359,874 S	7/1995	Smith et al.	
D453,088 S *	1/2002	Bell	..... D7/307
6,419,120 B1	7/2002	Bertone	
D467,764 S	12/2002	Harrison et al.	
D510,675 S	10/2005	Ball	

- D529,750 S 10/2006 Baron et al.
- D553,416 S 10/2007 Lin
- D555,968 S 11/2007 Pfeifer et al.
- D595,991 S 7/2009 Zimmerman
- D604,087 S 11/2009 Lavy
- D608,131 S 1/2010 Meldrum et al.
- D649,393 S \* 11/2011 Cohlmiia ..... D7/307
- D681,385 S 5/2013 Ring et al.
- D696,350 S 12/2013 d'Amore et al.
- D698,392 S 1/2014 d'Amore et al.
- D701,412 S 3/2014 Broen et al.
- D704,492 S 5/2014 Broen et al.
- D710,643 S 8/2014 Broen et al.
- D716,093 S 10/2014 Jakeman et al.
- D718,413 S \* 11/2014 Choi ..... D23/207
- 8,881,948 B1 11/2014 Lassota

(Continued)

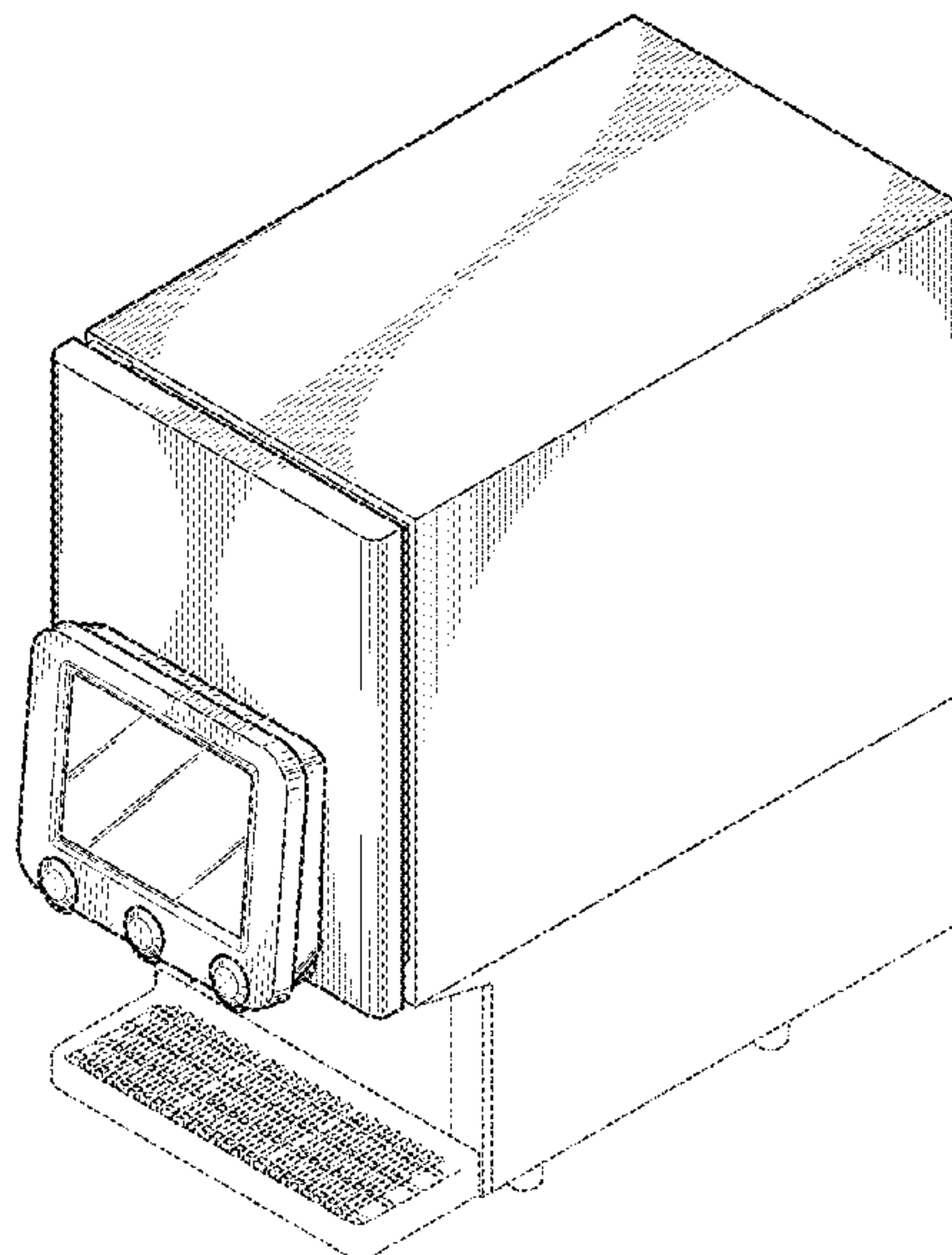
*Primary Examiner* — Marianne Pandozzi  
(74) *Attorney, Agent, or Firm* — Parks IP Law LLC; Cynthia R. Parks

(57) **CLAIM**  
I claim the ornamental design for a beverage dispenser, as shown and described.

**DESCRIPTION**

FIG. 1 is a front perspective view of a beverage dispenser showing my new design;  
FIG. 2 is a front view thereof;  
FIG. 3 is a back view thereof;  
FIG. 4 is a top view thereof;  
FIG. 5 is a bottom view thereof;  
FIG. 6 is a left side view thereof;  
FIG. 7 is a right side view thereof;  
FIG. 8 is an enlarged front view of the display screen portion of beverage dispenser, the rest of the beverage dispenser removed for ease of illustration; and,  
FIG. 9 is a sectional view along the line 9-9 of FIG. 2.  
The broken lines are for environmental purposes only and form no part of the claimed design.

**1 Claim, 9 Drawing Sheets**



# US D772,634 S

Page 2

---

(56)

## References Cited

### U.S. PATENT DOCUMENTS

D719,391 S \* 12/2014 De Pra ..... D7/309  
D719,392 S \* 12/2014 De Pra ..... D7/309  
D719,393 S \* 12/2014 De Pra ..... D7/309

D719,776 S 12/2014 Kunz  
D731,839 S \* 6/2015 Tomasson ..... D7/306  
D732,330 S 6/2015 Cha et al.  
D732,331 S \* 6/2015 Tomasson ..... D7/306

\* cited by examiner

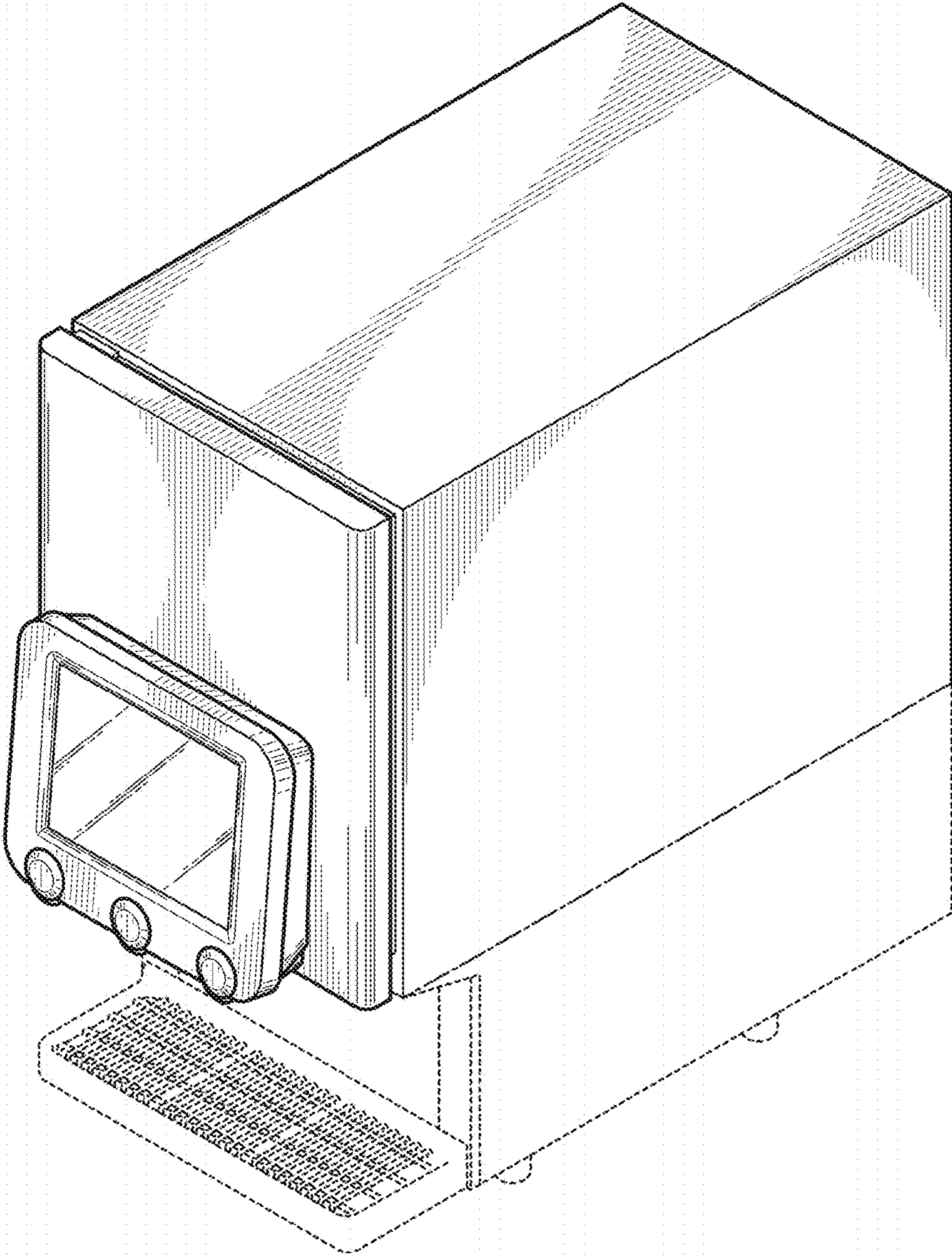


FIG. 1



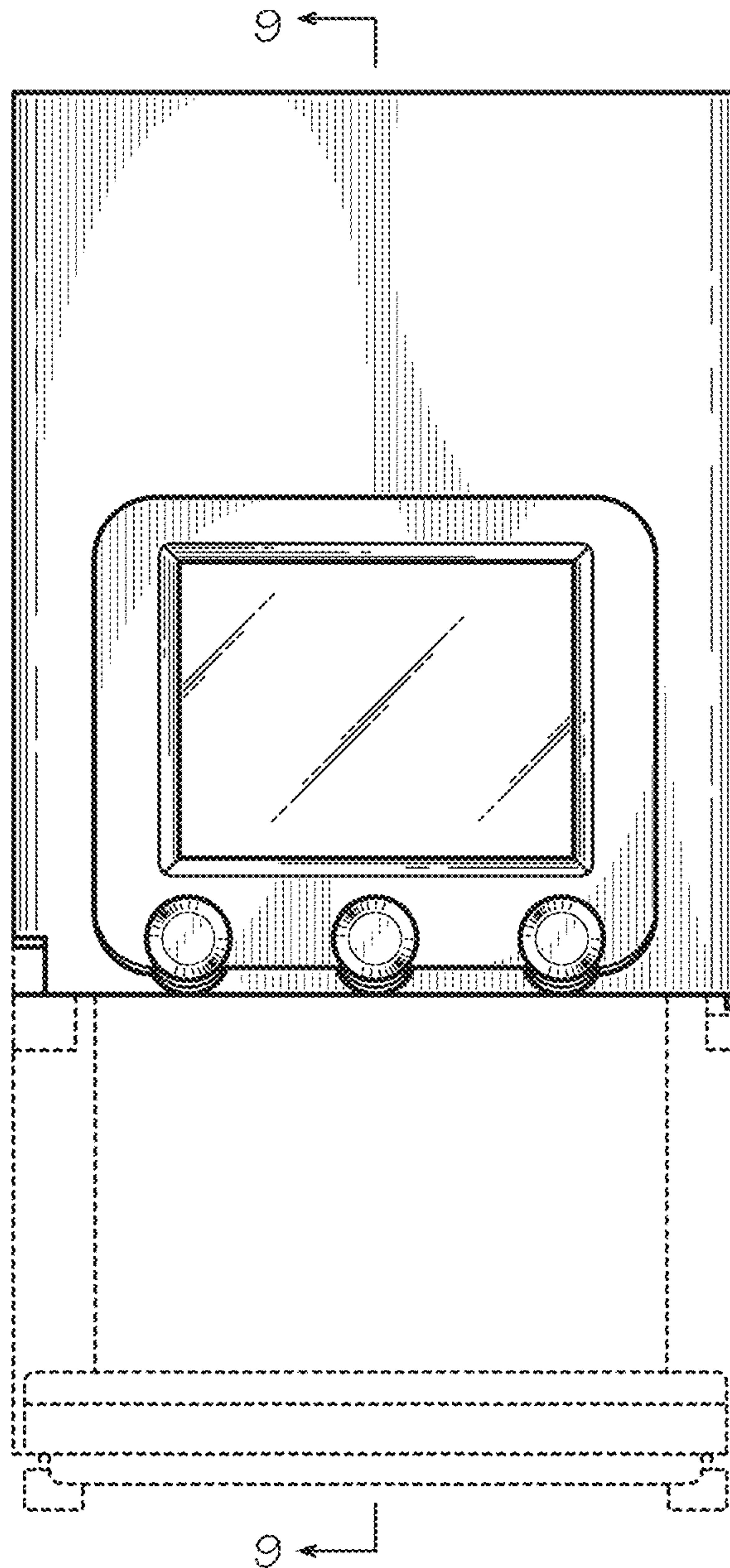
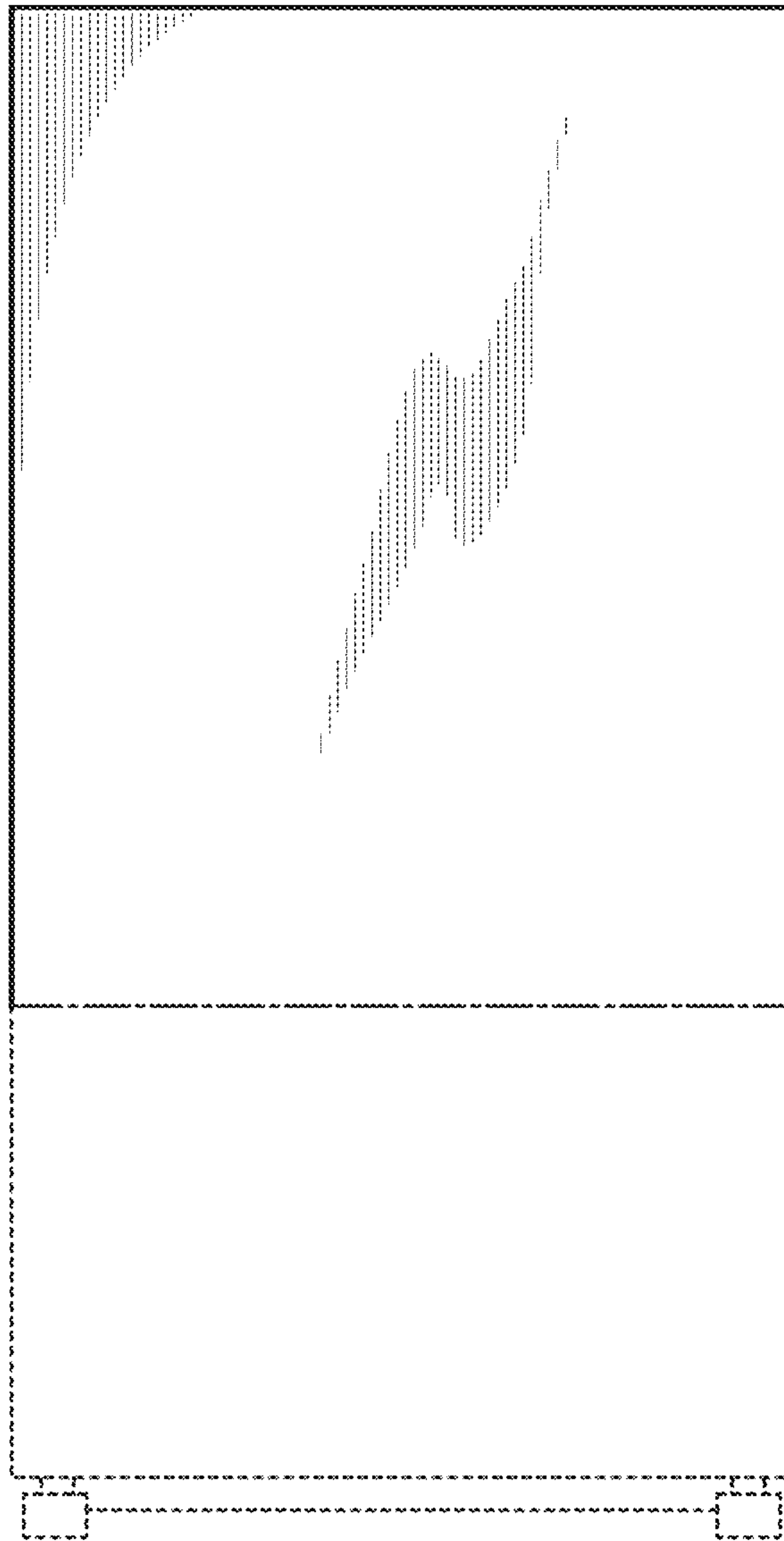
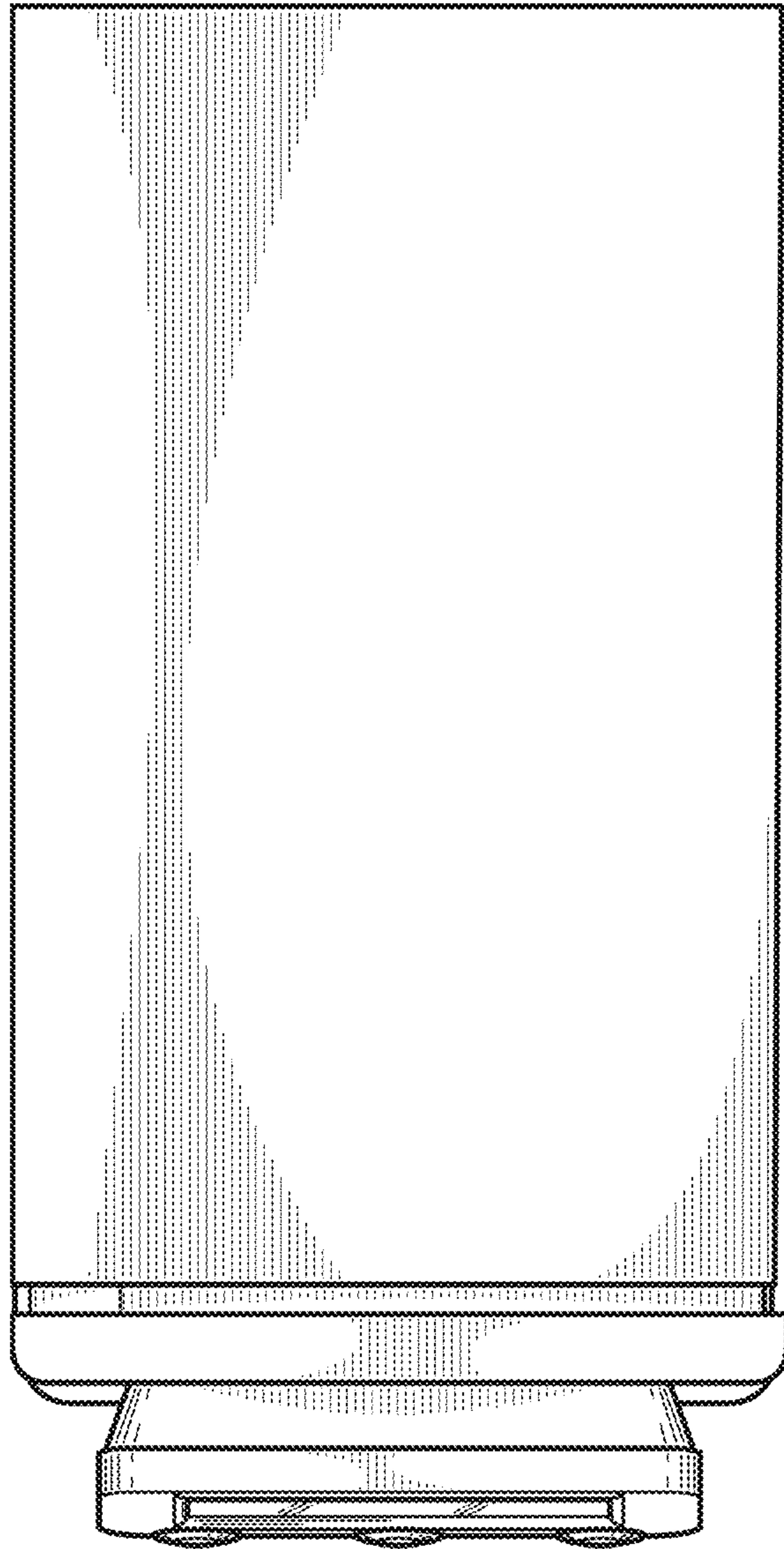


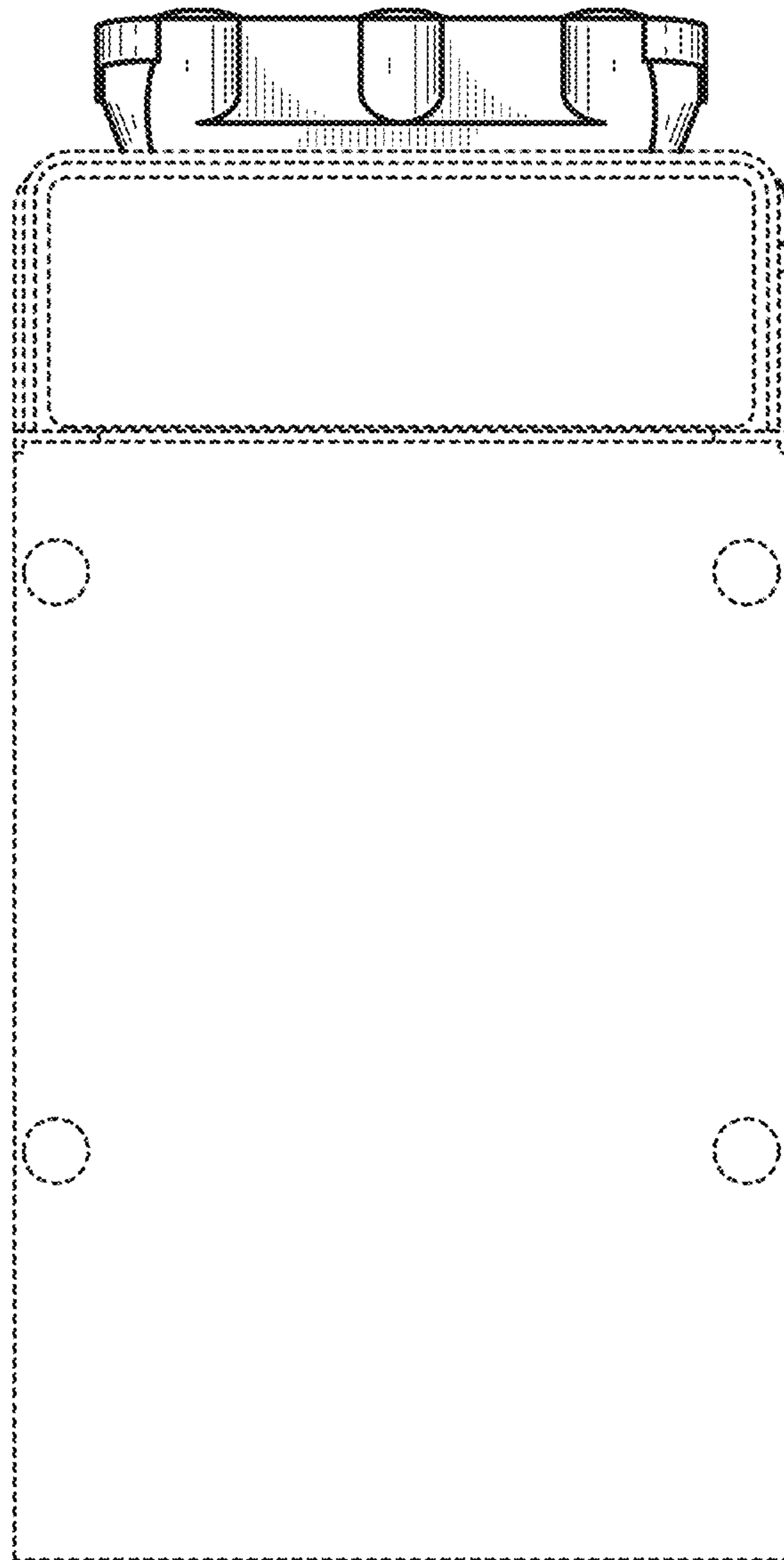
FIG. 2



**FIG. 3**



**FIG. 4**



**FIG. 5**

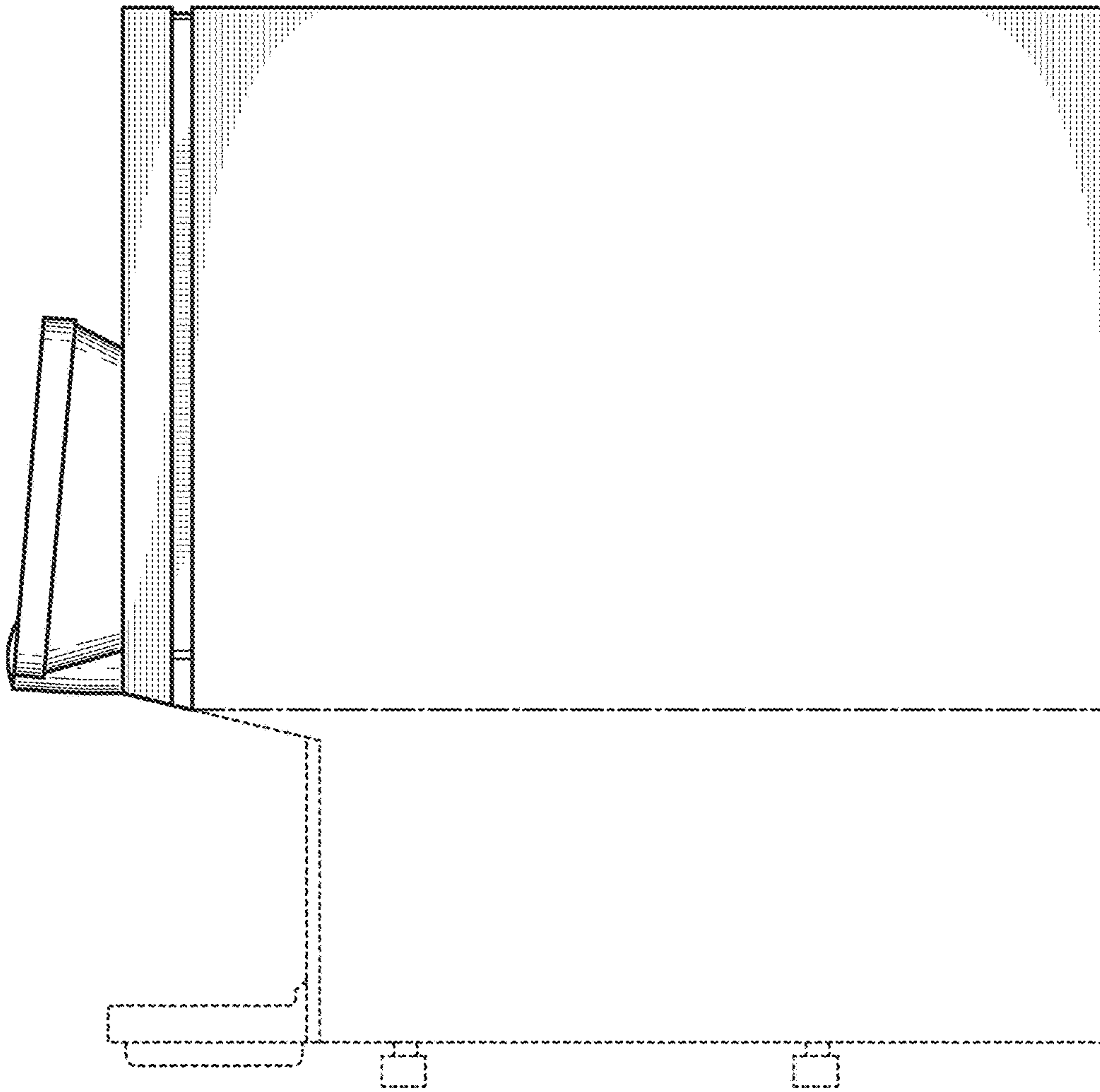


FIG. 6



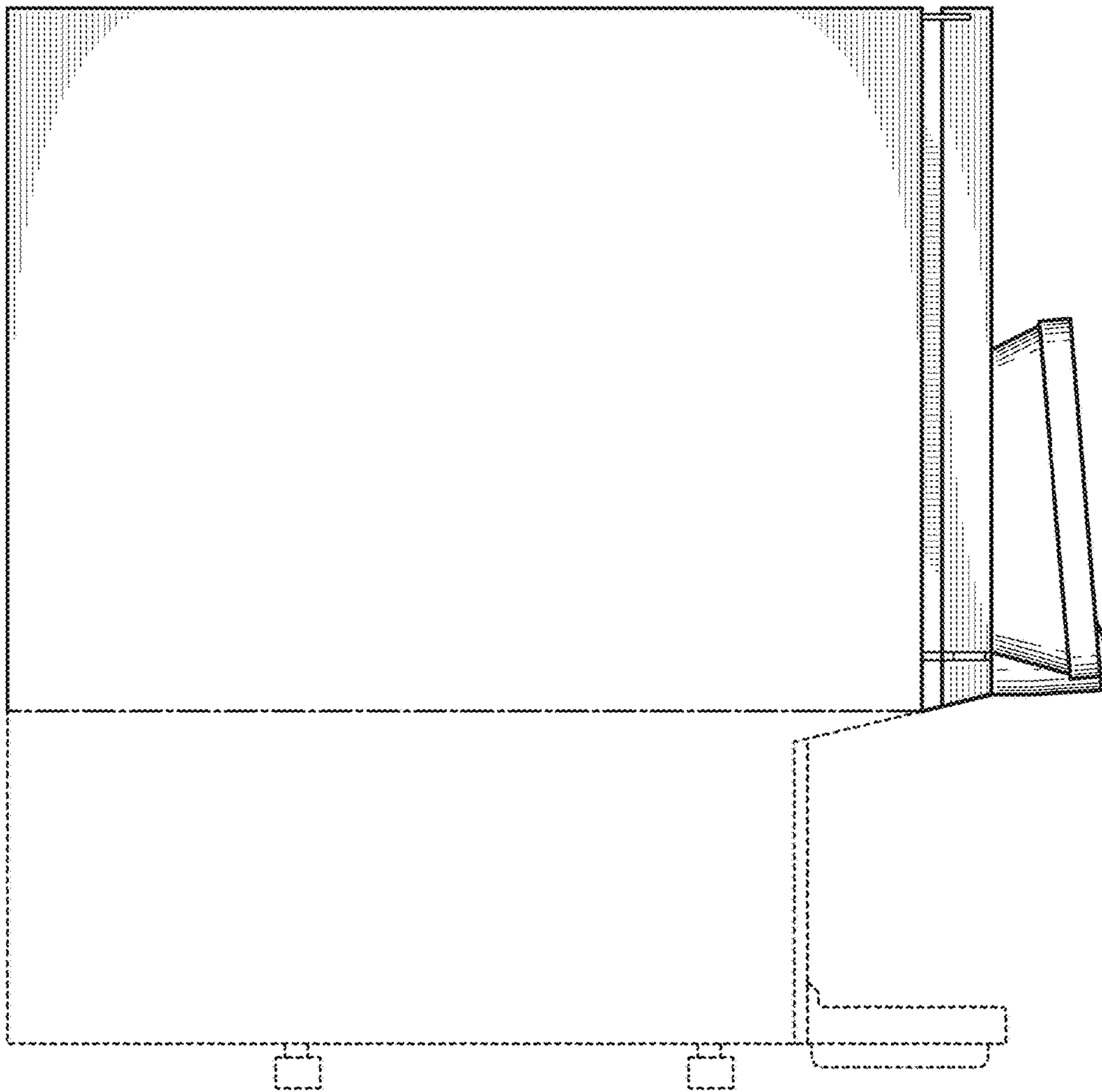


FIG. 7

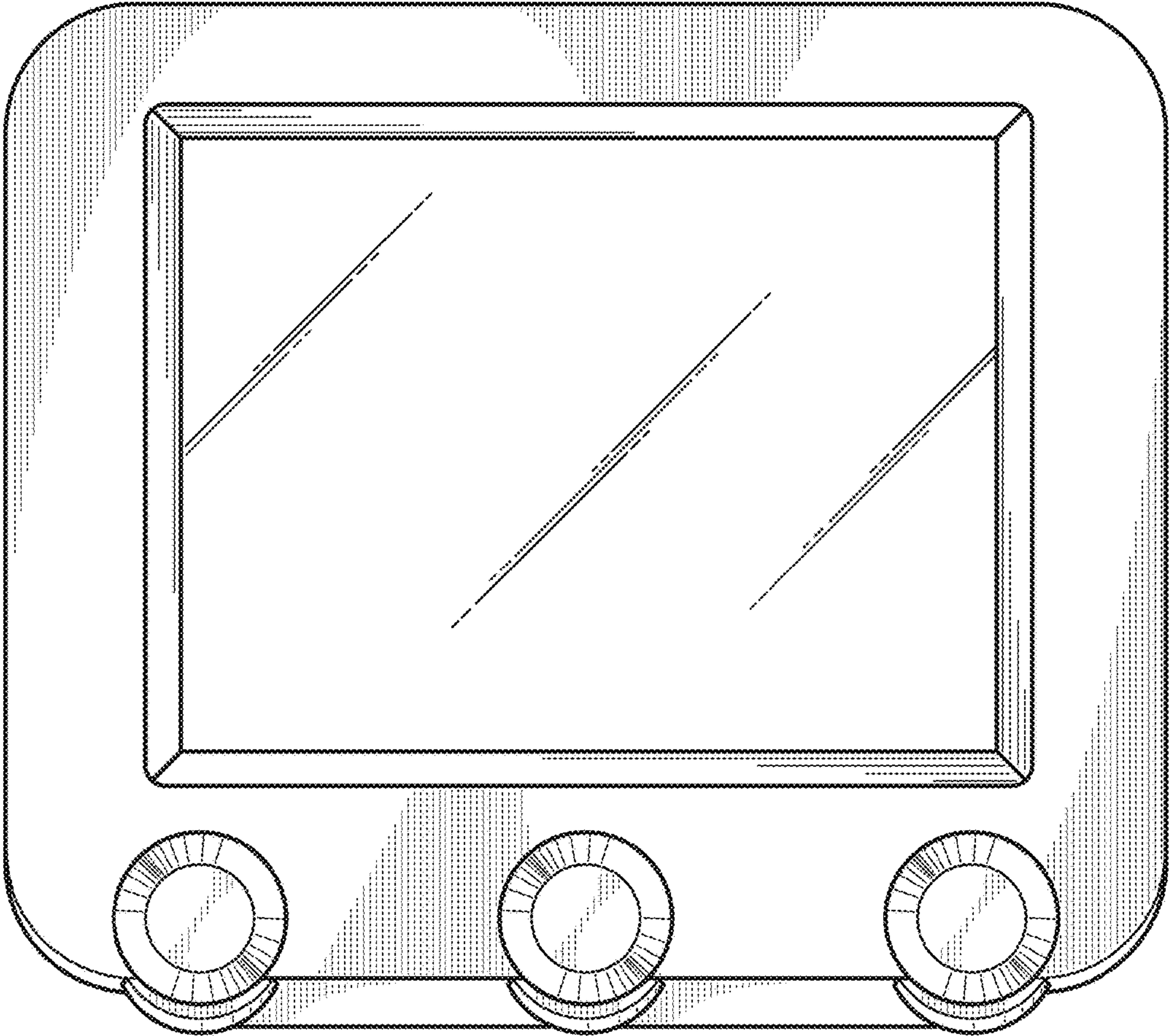


FIG. 8

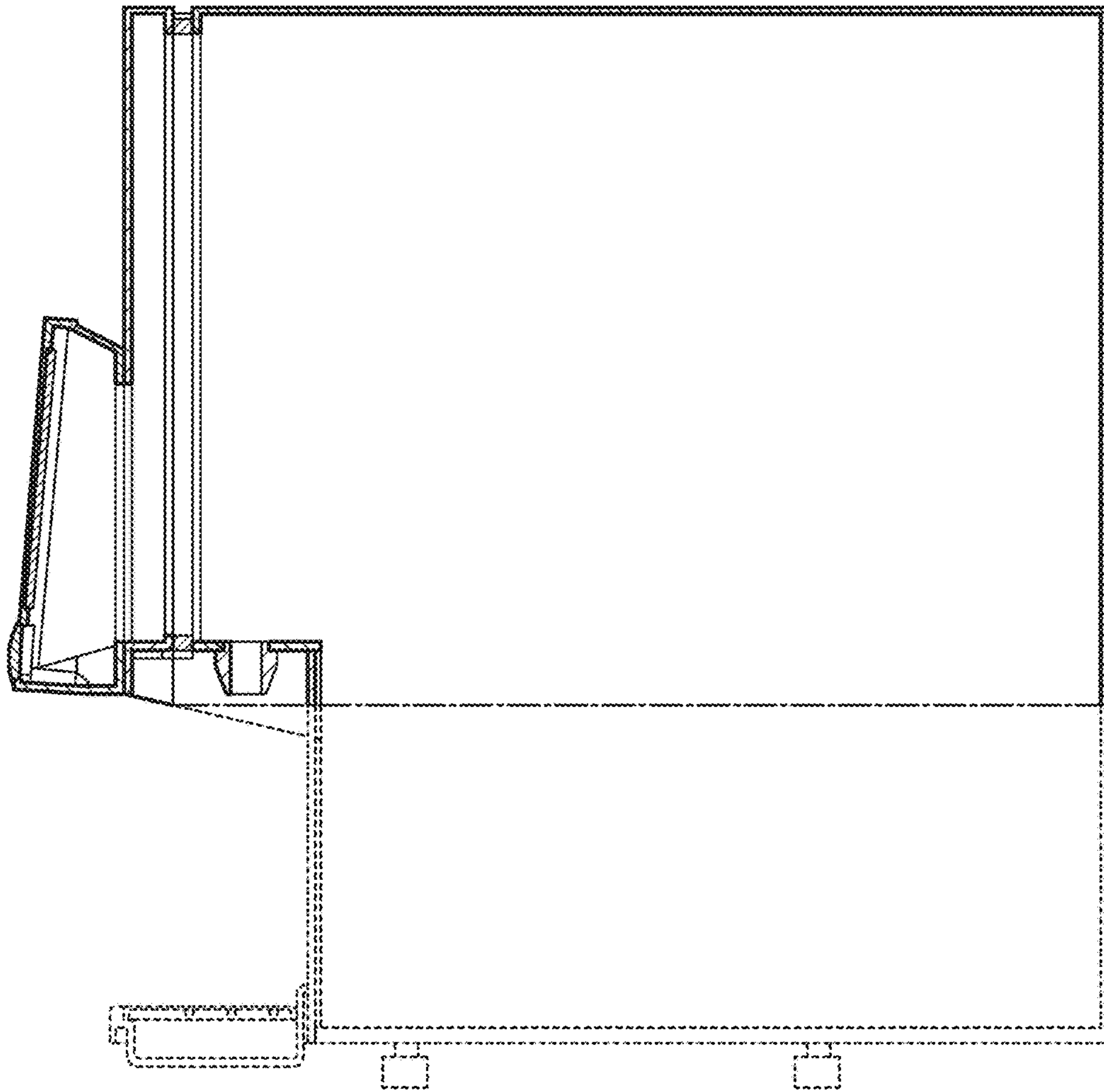


FIG. 9