



US00D772632S

(12) **United States Design Patent** (10) **Patent No.:** **US D772,632 S**
Buck (45) **Date of Patent:** **** Nov. 29, 2016**

(54) **BENDABLE STRAW**

(71) Applicant: **Ronald Mark Buck**, Encinitas, CA (US)

(72) Inventor: **Ronald Mark Buck**, Encinitas, CA (US)

(73) Assignee: **SNACKTOPS, INC.**, Carlsbad, CA (US)

(**) Term: **15 Years**

(21) Appl. No.: **29/542,046**

(22) Filed: **Oct. 9, 2015**

(51) **LOC (10) Cl.** **07-06**

(52) **U.S. Cl.**
USPC **D7/300.2**

(58) **Field of Classification Search**

USPC D7/300.2, 301, 305, 376, 688, 689;
D9/436, 716; D24/108, 110, 112;
215/388, 389; 239/16, 17, 21, 24, 33;
604/35; 433/91, 96; 426/85

CPC A47G 21/18
See application file for complete search history.

(56) **References Cited**

U.S. PATENT DOCUMENTS

590,374	A *	9/1897	Osburn	H02G 3/0418 138/101
1,223,933	A *	4/1917	Carr	B29C 47/0023 138/129
5,427,316	A *	6/1995	Leone	A47G 21/18 239/33
5,568,006	A *	10/1996	Luff	H03H 9/1021 310/340
D512,025	S *	11/2005	Frederick	D13/153
D615,645	S *	5/2010	Brigatti	D24/112
D625,957	S *	10/2010	Minns	D7/550.1
D707,484	S *	6/2014	Fee	D7/300.2
D715,083	S *	10/2014	Miracle	D7/300.2
D726,477	S *	4/2015	Buck	D7/300.2
2003/0006293	A1 *	1/2003	Lee	A47G 21/18 239/33
2013/0068854	A1 *	3/2013	Miracle	A47G 21/18 239/33
2016/0051071	A1 *	2/2016	Buck	A47G 21/187 239/33

OTHER PUBLICATIONS

“Hot Straw: Drink Coffee. Not Plastic!” Found online Sep. 21, 2016 at indiegogo.com. Page dated Feb. 20, 2013. Retrieved from https://web.archive.org/web/20130220111020/http://www.indiegogo.com/projects/hot-straw-drink-coffee-not-plastic.*

(Continued)

Primary Examiner — Robert M Spear

Assistant Examiner — Kendra L Hamilton

(74) *Attorney, Agent, or Firm* — Manuel de la Cerra

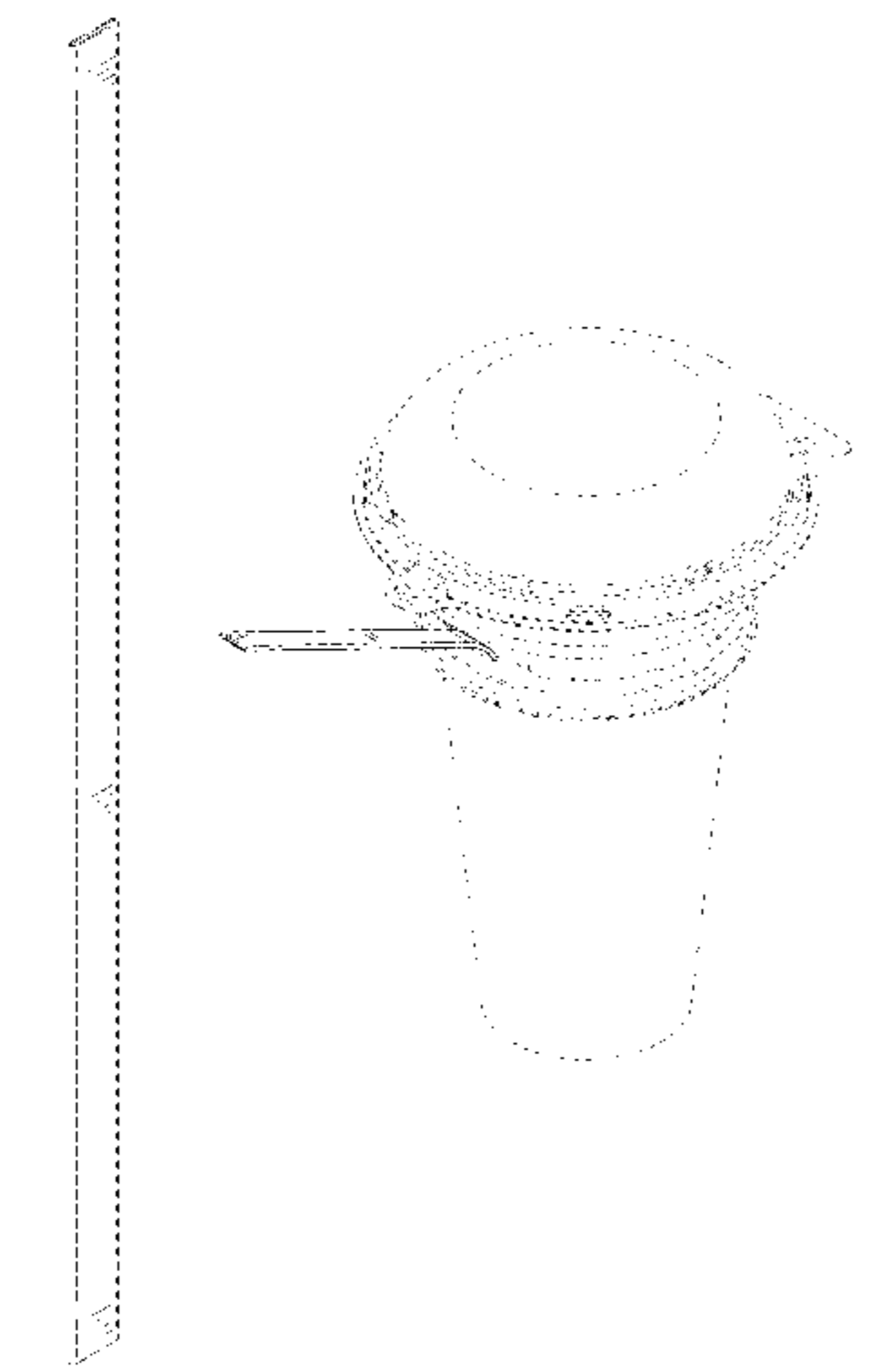
(57) **CLAIM**

The ornamental design for a bendable straw, as shown and described.

DESCRIPTION

FIG. 1 is a top perspective view of a bendable straw.
 FIG. 2 is a bottom perspective view thereof.
 FIG. 3 is a front view thereof (rear view is mirror).
 FIG. 4 is left-side view of a bendable straw (right side view is mirror).
 FIG. 5 is a top view thereof (bottom view is mirror).
 FIG. 6 is a top perspective view of the bendable straw inserted into a beverage container with a food container attached to the beverage container.
 FIG. 7 is a bottom perspective view of the bendable straw inserted into a beverage container with a food container attached to the beverage container.
 FIG. 8 is a top perspective view of the bendable straw detached from a beverage container and a food container; and,
 FIG. 9 is a bottom perspective view of the bendable straw detached from a beverage container and a food container. The broken lines show a beverage container and a food container that are environment only and form no part of the claimed design.

1 Claim, 3 Drawing Sheets



(56)

References Cited

OTHER PUBLICATIONS

“Eco-Flex: Aardvark, The Original Paper Straw”. Found online Mar. 11, 2016 at aardvarkstraws.com. Page dated Apr. 12, 2015. Retrieved from <http://web.archive.org/web/20150412085058/http://www.aardvarkstraws.com/eco-flex/>.*

“Steel Flat Oval Tube”. Found online Sep. 21, 2016 at alibaba.com. Page dated Jul. 17, 2015. Retrieved from https://www.alibaba.com/product-detail/Steel-Flat-Oval-Tube_473318854.html.*

“Oval Tube”. Found online Sep. 21, 2016 at timelesstube.info. Page dated Jan. 11, 2013. Retrieved from <https://web.archive.org/web/20130111102357/http://www.timelesstube.info/tubeing.php>.*

* cited by examiner

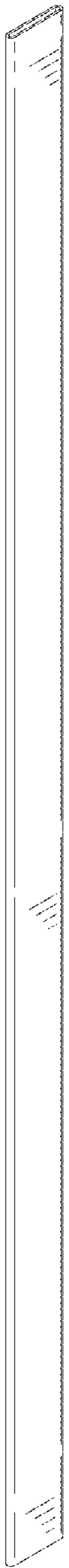


FIG. 1

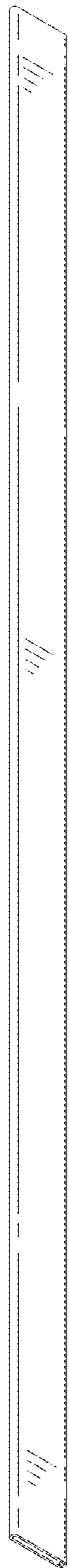


FIG. 2

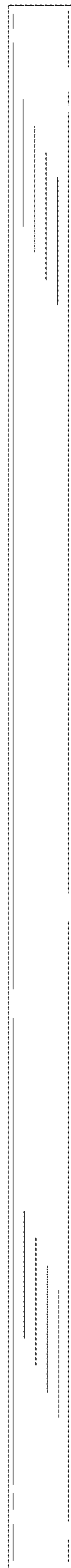


FIG. 3

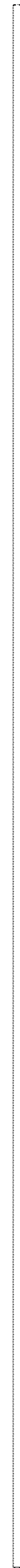


FIG. 4

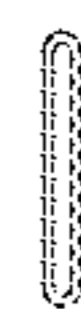


FIG. 5

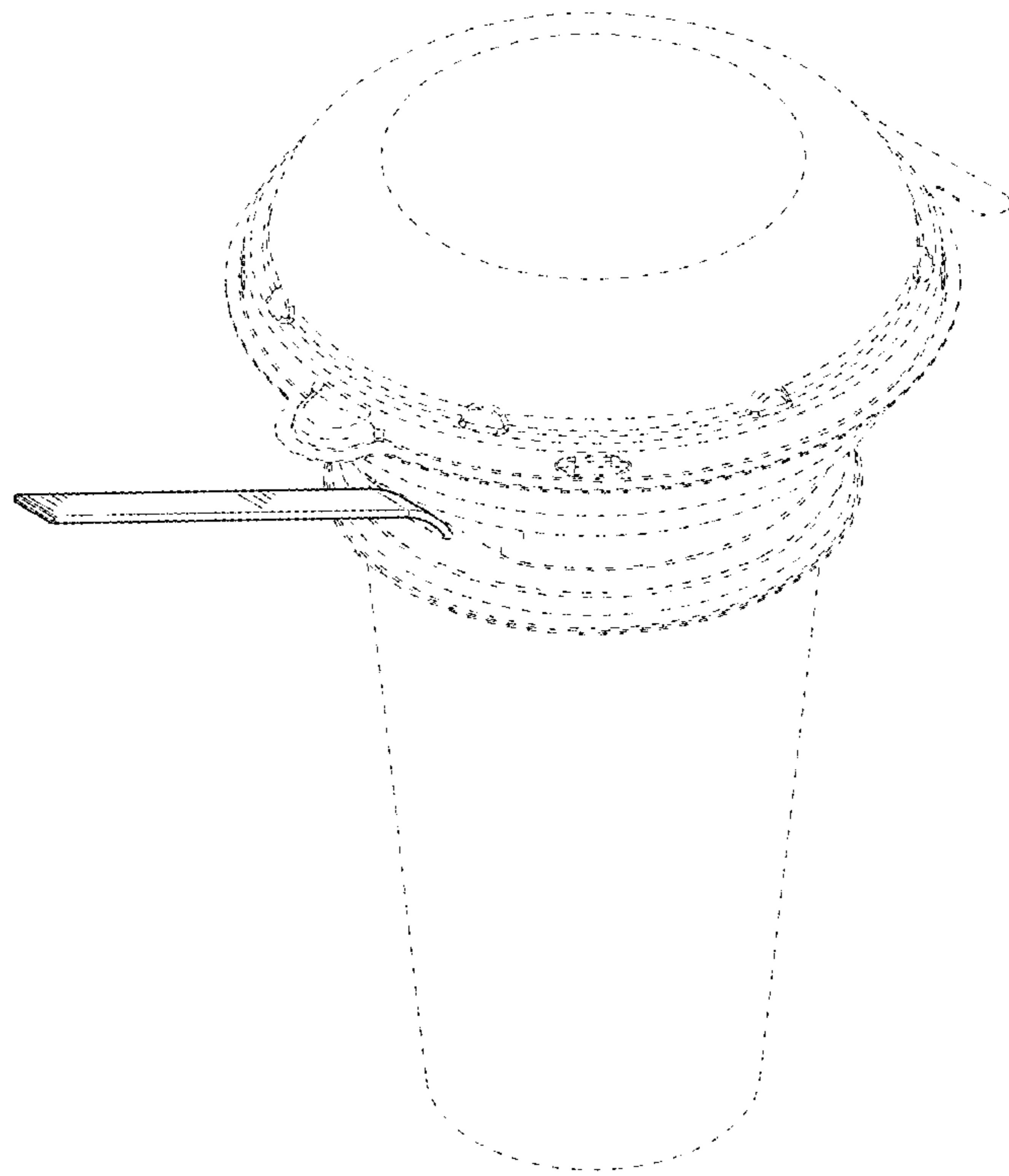


FIG. 6

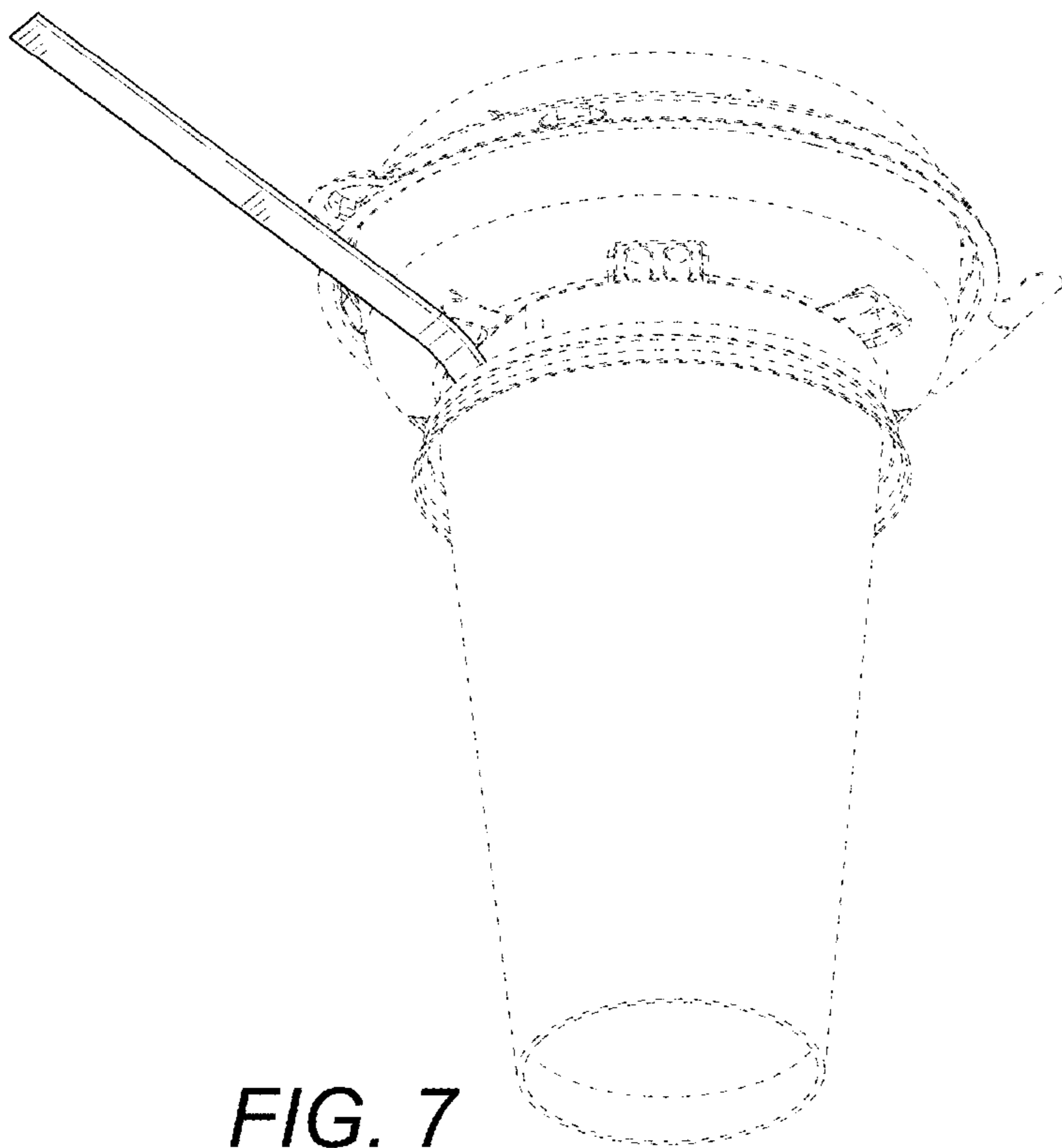


FIG. 7

