



US00D772631S

(12) **United States Design Patent** (10) **Patent No.:** **US D772,631 S**  
**Schmitt** (45) **Date of Patent:** **\*\* Nov. 29, 2016**

(54) **FOOTBOARD**  
(71) Applicant: **Jack Schmitt**, Mission Viejo, CA (US)  
(72) Inventor: **Jack Schmitt**, Mission Viejo, CA (US)  
(73) Assignee: **Amini Innovation Corporation**, Pico Rivera, CA (US)  
(\*\*) Term: **15 Years**  
(21) Appl. No.: **29/546,326**  
(22) Filed: **Nov. 20, 2015**  
(51) **LOC (10) Cl.** ..... **06-06**  
(52) **U.S. Cl.**  
USPC ..... **D6/718.24**  
(58) **Field of Classification Search**  
USPC ..... D6/382, 383, 391-395, 718, 718.13,  
D6/718.19, 718.2, 718.21, 718.22, 718.24  
CPC ..... A47C 17/00; A47C 19/00; A47C 19/02  
See application file for complete search history.

D443,432 S 6/2001 Vaaler  
D443,445 S 6/2001 O'Hare et al.  
D443,446 S 6/2001 O'Hare et al.  
D445,284 S 7/2001 Chen  
D445,592 S 7/2001 O'Hare et al.  
D449,939 S 11/2001 Vaaler  
D450,198 S 11/2001 McDaniel et al.  
D450,946 S \* 11/2001 Vaaler ..... D6/393  
D455,909 S 4/2002 Wistehuff, Sr.  
D457,346 S 5/2002 O'Hare  
D459,120 S 6/2002 Stanton  
D460,288 S 7/2002 Vaaler  
D463,157 S 9/2002 Lenger  
D468,552 S 1/2003 O'Hare  
D468,929 S 1/2003 Jones et al.  
D470,329 S 2/2003 Vaaler  
D470,330 S 2/2003 Vaaler  
D470,331 S 2/2003 Stanton  
D470,681 S 2/2003 O'Hare

(Continued)

**OTHER PUBLICATIONS**

Bella Veneto Sleigh Bed, Michael Amini Furniture Designs, site visited Sep. 7, 2016, available from internet: <URL: [http://www.amini.com/itemtype\\_item.asp?code=9051000&subcatcode=BED&item=905100](http://www.amini.com/itemtype_item.asp?code=9051000&subcatcode=BED&item=905100) . . . >.\*

(Continued)

(56) **References Cited**

**U.S. PATENT DOCUMENTS**

182,544 A 9/1876 Amaud  
1,087,573 A 2/1914 Dautrich  
D63,662 S 12/1923 Schmitt  
D90,256 S 7/1933 McClure  
2,624,891 A 1/1953 Katzoff  
2,745,212 A 5/1956 Guzzino  
D210,763 S 4/1968 Kessler  
4,080,674 A 3/1978 Fredman et al.  
D248,697 S 8/1978 Miller  
D333,927 S 3/1993 Bello  
D364,511 S 11/1995 Berry et al.  
D367,369 S 2/1996 Lovegrove et al.  
D389,663 S 1/1998 Paus  
D400,034 S 10/1998 Zaidman  
D402,833 S 12/1998 Hazen et al.  
D404,217 S 1/1999 Zaidman et al.  
D441,980 S 5/2001 McDaniel et al.

*Primary Examiner* — Cathron Brooks  
(74) *Attorney, Agent, or Firm* — Cislo & Thomas, LLP

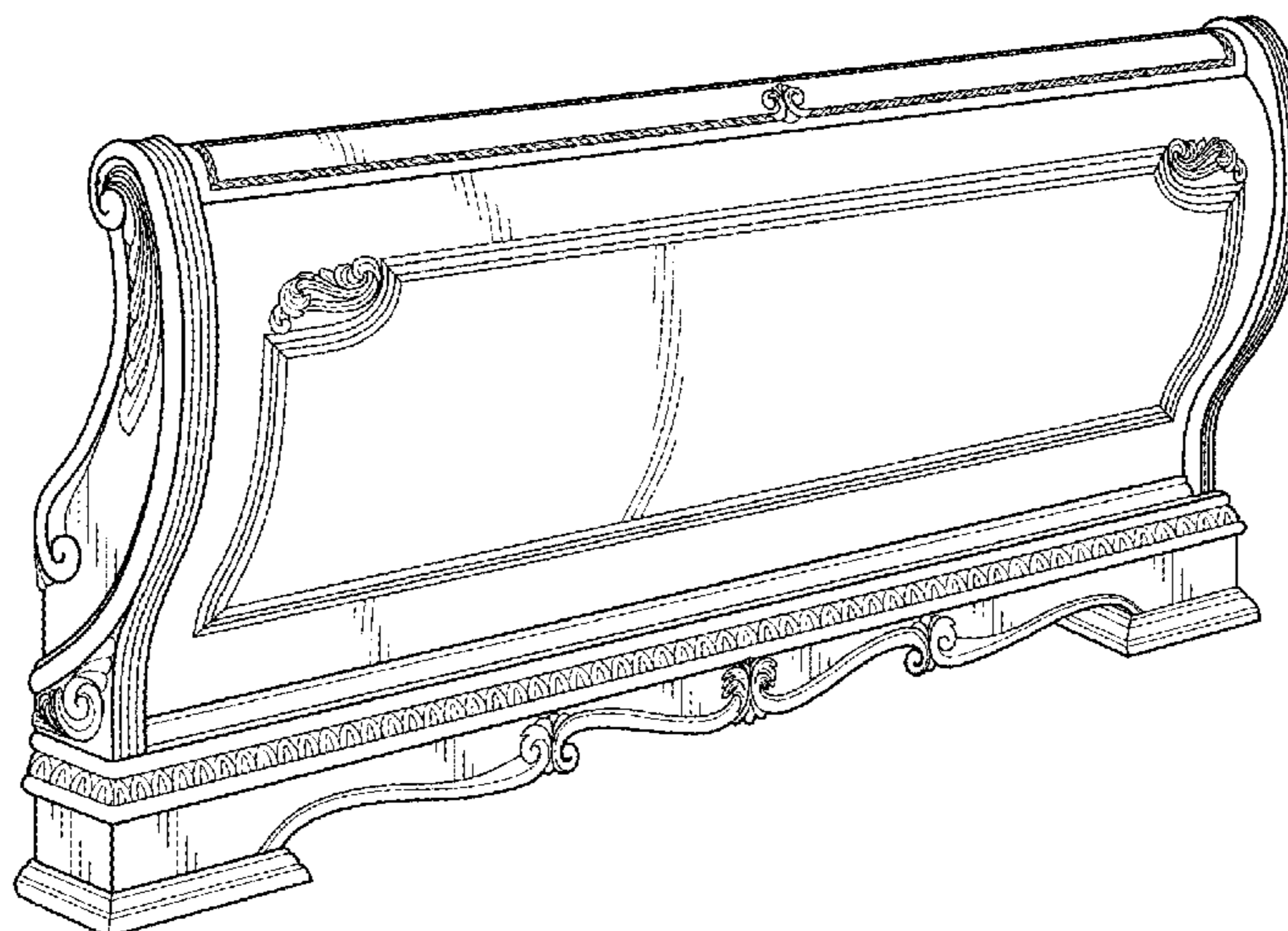
(57) **CLAIM**

I claim the ornamental design for a footboard, as shown and described.

**DESCRIPTION**

FIG. 1 is a perspective view of my footboard;  
FIG. 2 is a front view thereof; and,  
FIG. 3 is a right side view of my footboard, the left side (not shown) is a mirror image thereof.

**1 Claim, 3 Drawing Sheets**



(56)

References Cited

U.S. PATENT DOCUMENTS

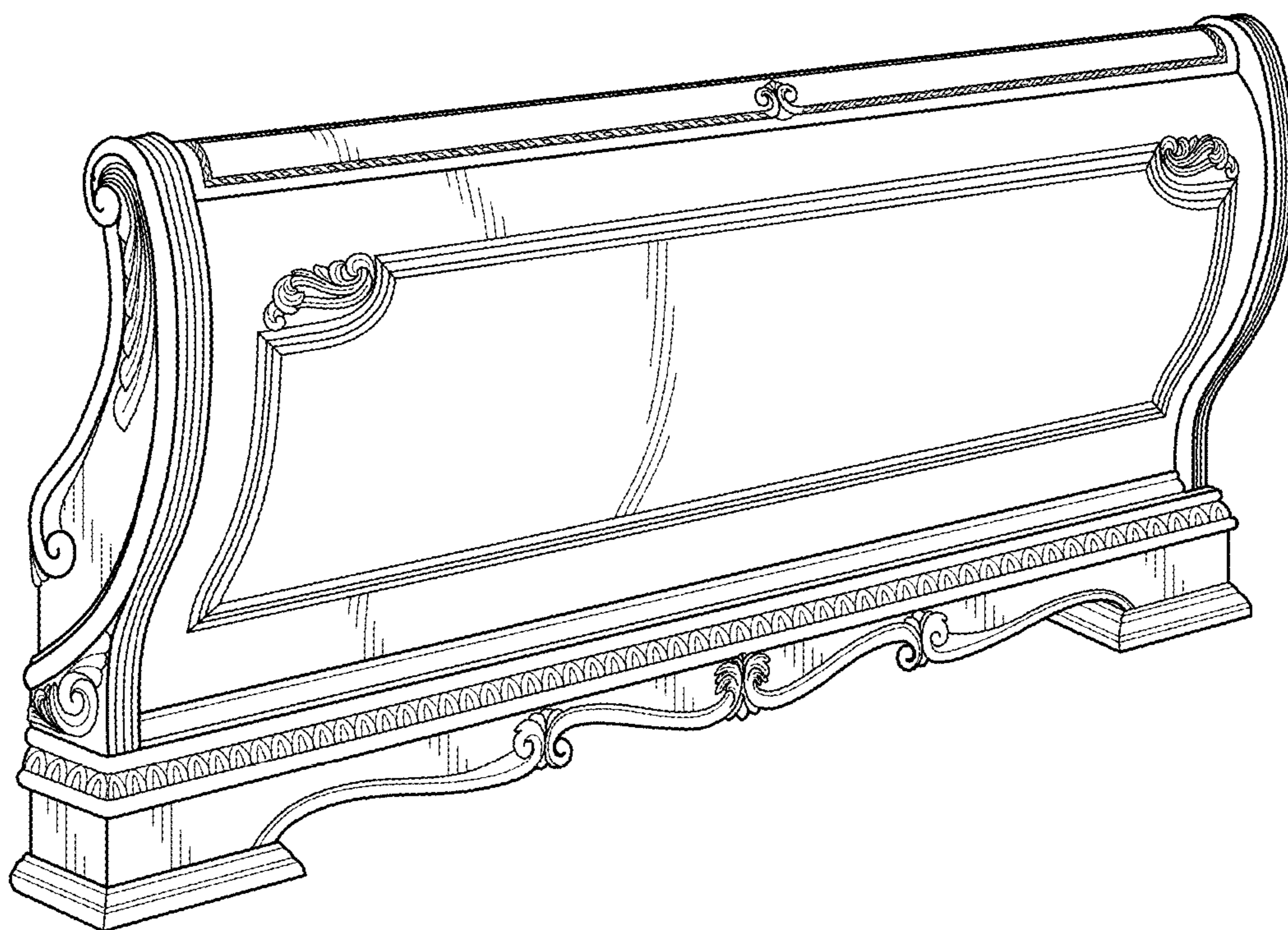
D471,732 S 3/2003 Warren et al.  
 D472,068 S 3/2003 Risdon et al.  
 D473,064 S 4/2003 O'Hare  
 D474,917 S 5/2003 Risdon  
 D474,918 S 5/2003 Tobin, Jr.  
 D475,218 S 6/2003 Schmitt  
 D475,224 S 6/2003 Paus  
 D475,862 S 6/2003 McDaniel et al.  
 D484,329 S \* 12/2003 Risdon ..... D6/393  
 D487,199 S 3/2004 Schmitt  
 D487,363 S 3/2004 Schmitt  
 D493,976 S 8/2004 Bergelin  
 D497,749 S 11/2004 Mohundro  
 D499,910 S 12/2004 Mohundro  
 D499,912 S 12/2004 Mohundro  
 D508,626 S 8/2005 Schmitt  
 D517,845 S 3/2006 Schmitt  
 D518,321 S 4/2006 Schmitt  
 D518,660 S 4/2006 Domack et al.  
 D519,308 S 4/2006 Schmitt  
 D527,925 S 9/2006 Domack et al.  
 D528,834 S 9/2006 Schmitt  
 D531,841 S 11/2006 Schmitt  
 D531,842 S 11/2006 Schmitt  
 D535,135 S 1/2007 Schmitt  
 D535,136 S 1/2007 Schmitt  
 D535,507 S \* 1/2007 Schmitt ..... D6/718.2  
 D535,508 S 1/2007 Schmitt  
 D536,558 S 2/2007 Schmitt  
 D536,913 S 2/2007 Schmitt  
 D536,914 S 2/2007 Schmitt  
 D538,087 S 3/2007 Schmitt  
 D543,050 S 5/2007 Mohundro  
 D554,398 S 11/2007 Donner  
 D561,505 S 2/2008 Schmitt  
 D562,601 S 2/2008 Schmitt  
 D564,777 S 3/2008 Mohundro  
 D566,999 S 4/2008 Thompson  
 D570,627 S 6/2008 Thompson  
 D572,052 S 7/2008 Schmitt

D575,076 S 8/2008 Bacon et al.  
 D579,243 S \* 10/2008 Hassett, Jr. .... D6/718.19  
 D585,679 S 2/2009 Domack et al.  
 D586,162 S 2/2009 Schmitt  
 D593,781 S 6/2009 Schmitt  
 D593,782 S 6/2009 Schmitt  
 D601,832 S 10/2009 Schmitt  
 D608,572 S 1/2010 Schmitt  
 D610,846 S 3/2010 Schmitt  
 D611,723 S \* 3/2010 Everson ..... D6/393  
 D617,590 S 6/2010 Schmitt  
 D622,075 S 8/2010 Domack et al.  
 D638,236 S 5/2011 Schmitt  
 D638,642 S 5/2011 Schmitt  
 D642,836 S 8/2011 Schmitt  
 D643,655 S 8/2011 Schmitt  
 D649,806 S \* 12/2011 Bacon ..... D6/393  
 D661,140 S 6/2012 Schmitt  
 D663,977 S 7/2012 Schmitt  
 D688,077 S 8/2013 Schmitt  
 D702,472 S 4/2014 Litt  
 D702,962 S 4/2014 Schmitt  
 D733,479 S 7/2015 Schmitt

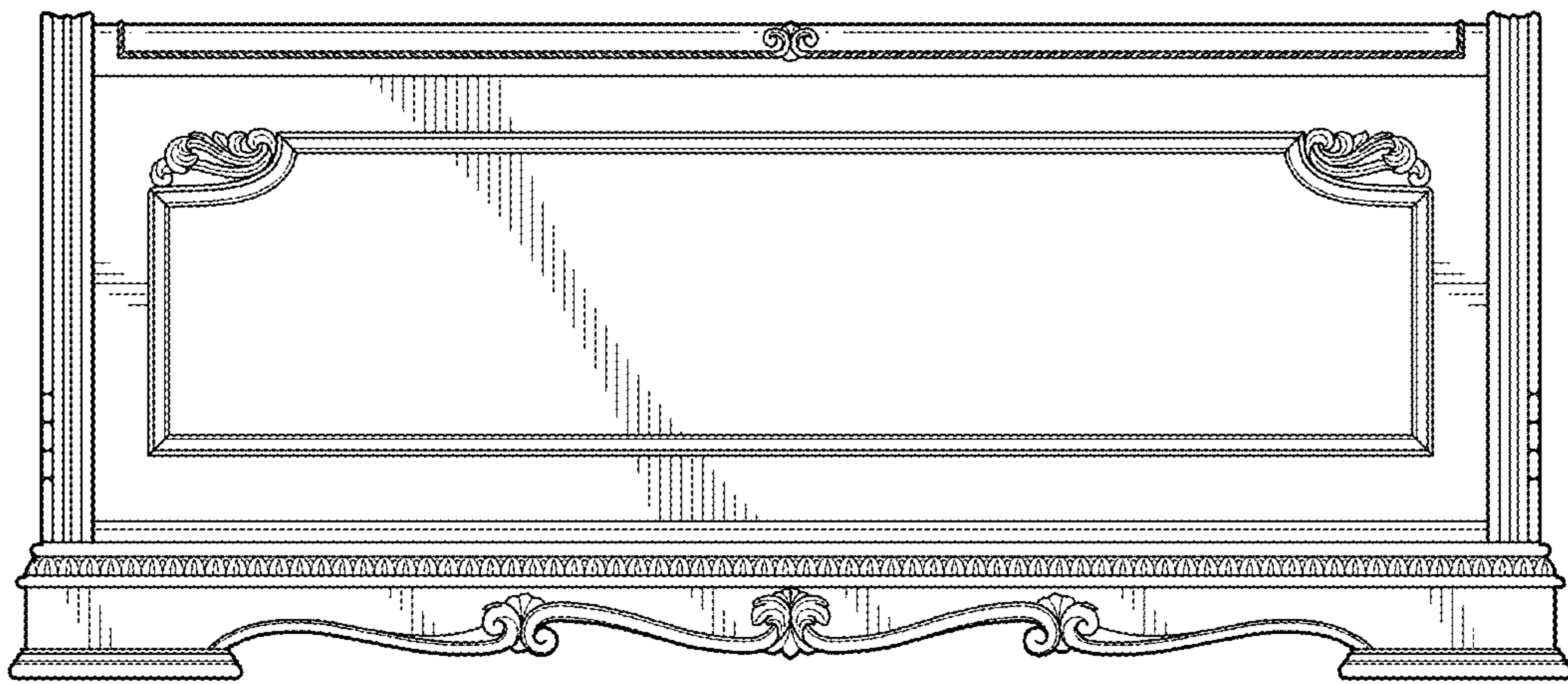
OTHER PUBLICATIONS

America's Oak Furniture, Schiffer, 1988, Bed, p. 90.  
 Furniture Today, Genoa Collection Bed, p. 14, Oct. 11, 1999.  
 Furniture Today, Source Mktg. Bed, p. 192, Oct. 14, 2002.  
 Amini Innovation Corp., Monte Carlo Collection, #53000 Series, 2001, 1 page.  
 Amini Innovation Corp., La Francaise Collection, #50000 Series, Sep. 11, 2002, 3 pages.  
 Amini Innovation Corp., Royal Oak Collection, #31000 Series, Sep. 11, 2002, 1 page.  
 Amini Innovation Corp., Torino Collection, #56000 Series, Apr. 18, 2002, 1 page.  
 Ethan Allen circular, Legacy Collection Iron Hoop Bed, p. 5, 1996.  
 Amini Innovation Corp., Paradisio Collection, #52000 Series, 2003, 1 page.  
 Amini Innovation Corp., Trevi Collection, Sep. 20, 2004, 2 pages.

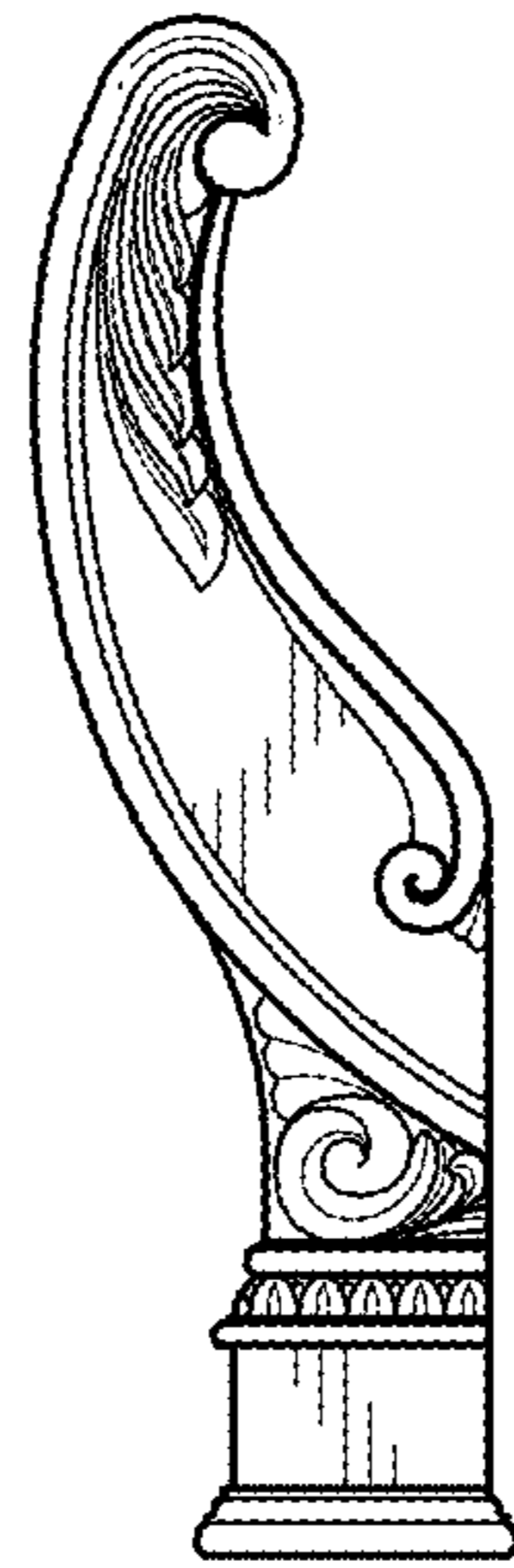
\* cited by examiner



**FIG. 1**



**FIG. 2**



**FIG. 3**