



US00D772627S

(12) **United States Design Patent** (10) **Patent No.:** **US D772,627 S**  
**Lemon** (45) **Date of Patent:** **\*\* Nov. 29, 2016**

- (54) **CHAIR WITH MONOGRAM**
- (71) Applicant: **Shawna Cannon Lemon**, Morrisville, NC (US)
- (72) Inventor: **Shawna Cannon Lemon**, Morrisville, NC (US)
- (\*\*) Term: **15 Years**
- (21) Appl. No.: **29/550,364**
- (22) Filed: **Jan. 3, 2016**
- (51) **LOC (10) Cl.** ..... **06-01**
- (52) **U.S. Cl.**  
USPC ..... **D6/716.4; D6/380**
- (58) **Field of Classification Search**  
USPC ..... D6/334-336, 358, 371-373, 374, 376, D6/379, 380, 388, 716, 716.1, 716.2, D6/716.3, 716.4  
CPC ..... A47C 3/04; A47C 3/12; A47C 4/02; A47C 4/03; A47C 4/024; A47C 4/028; A47C 7/16; A47C 7/40  
See application file for complete search history.

- (56) **References Cited**  
U.S. PATENT DOCUMENTS  
192,770 A 7/1877 Lacomme et al.  
D12,113 S 1/1881 Tatum et al.  
D352,840 S \* 11/1994 Alchin ..... D6/376  
D385,711 S 11/1997 Alchin  
D386,912 S \* 12/1997 Diaz-Azcuy ..... D6/380  
D390,031 S \* 2/1998 Diaz-Azcuy ..... D6/374  
D418,325 S \* 1/2000 Grosfillex ..... D6/379  
D439,059 S 3/2001 Bernes

- D443,767 S 6/2001 Bernes
- D444,643 S 7/2001 Bernes
- D450,936 S 11/2001 Bernes
- D469,267 S \* 1/2003 Stanton ..... D6/379
- D481,552 S \* 11/2003 Grosfillex ..... D6/379
- D486,970 S \* 2/2004 Tseng ..... D6/376
- D487,990 S \* 4/2004 Vaaler ..... D6/379
- D491,738 S \* 6/2004 Vanderminden ..... D6/376
- D497,747 S \* 11/2004 Russell ..... D6/716.4
- D513,679 S \* 1/2006 Paus ..... D6/380
- D514,344 S \* 2/2006 Domack ..... D6/376
- D617,109 S \* 6/2010 Niermeyer ..... D6/380
- D645,673 S 9/2011 Buehler
- D651,018 S \* 12/2011 Manea ..... D6/380
- 2014/0075795 A1 3/2014 Carrier

\* cited by examiner

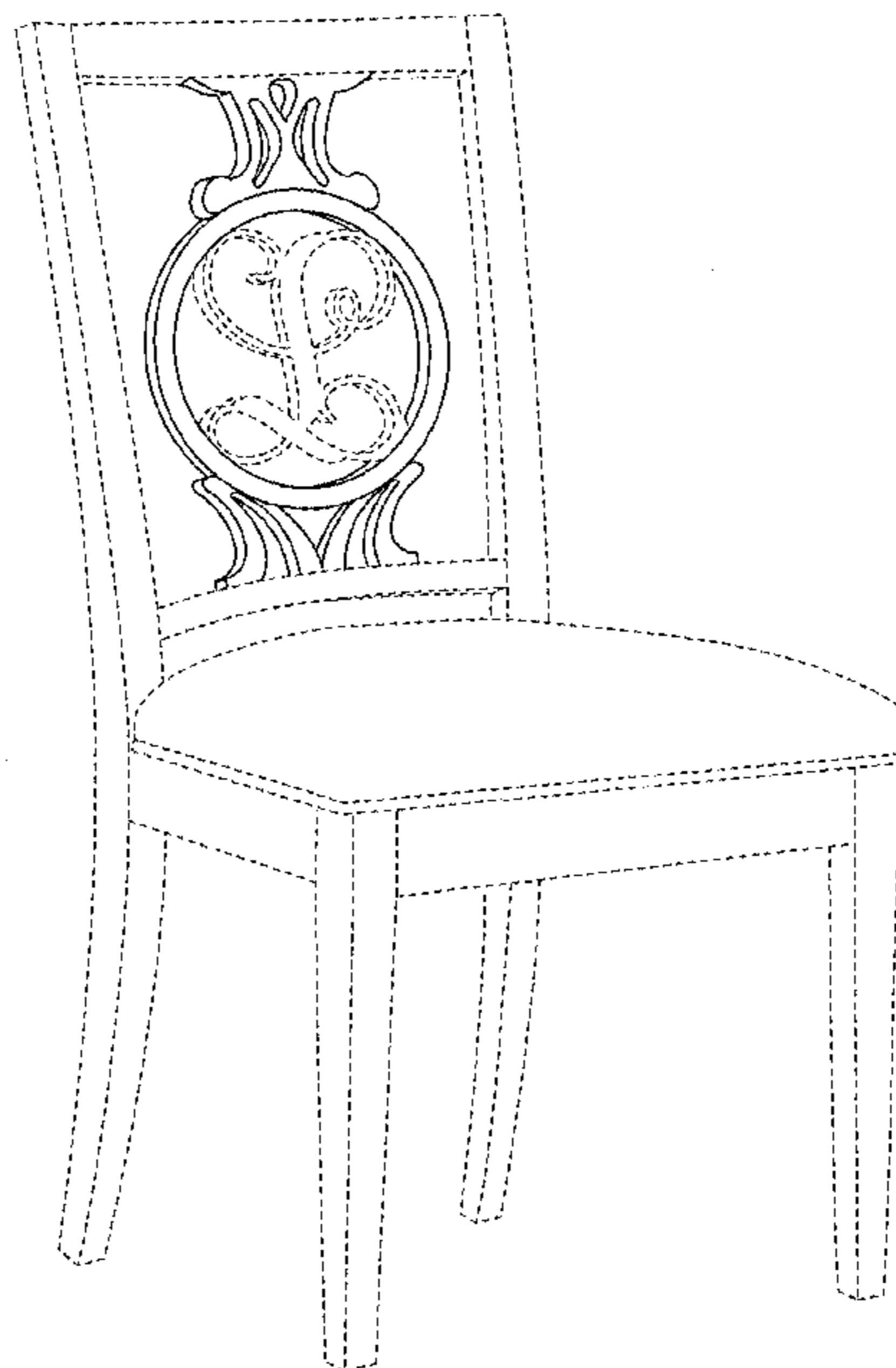
*Primary Examiner* — Mimoso De

(57) **CLAIM**  
The ornamental design for a chair with monogram, substantially as shown and described.

**DESCRIPTION**

FIG. 1 is a perspective view of the present design showing a chair with a monogram, the perspective view from the opposite side being a mirror image thereof; FIG. 2 is a front view thereof; FIG. 3 is a rear view thereof; FIG. 4 is a left side view thereof; FIG. 5 is a right side view thereof; FIG. 6 is a top view thereof; and, FIG. 7 is a bottom view thereof. The portions of the design shown in broken/dashed lines are for illustrative and environmental purposes.

**1 Claim, 7 Drawing Sheets**



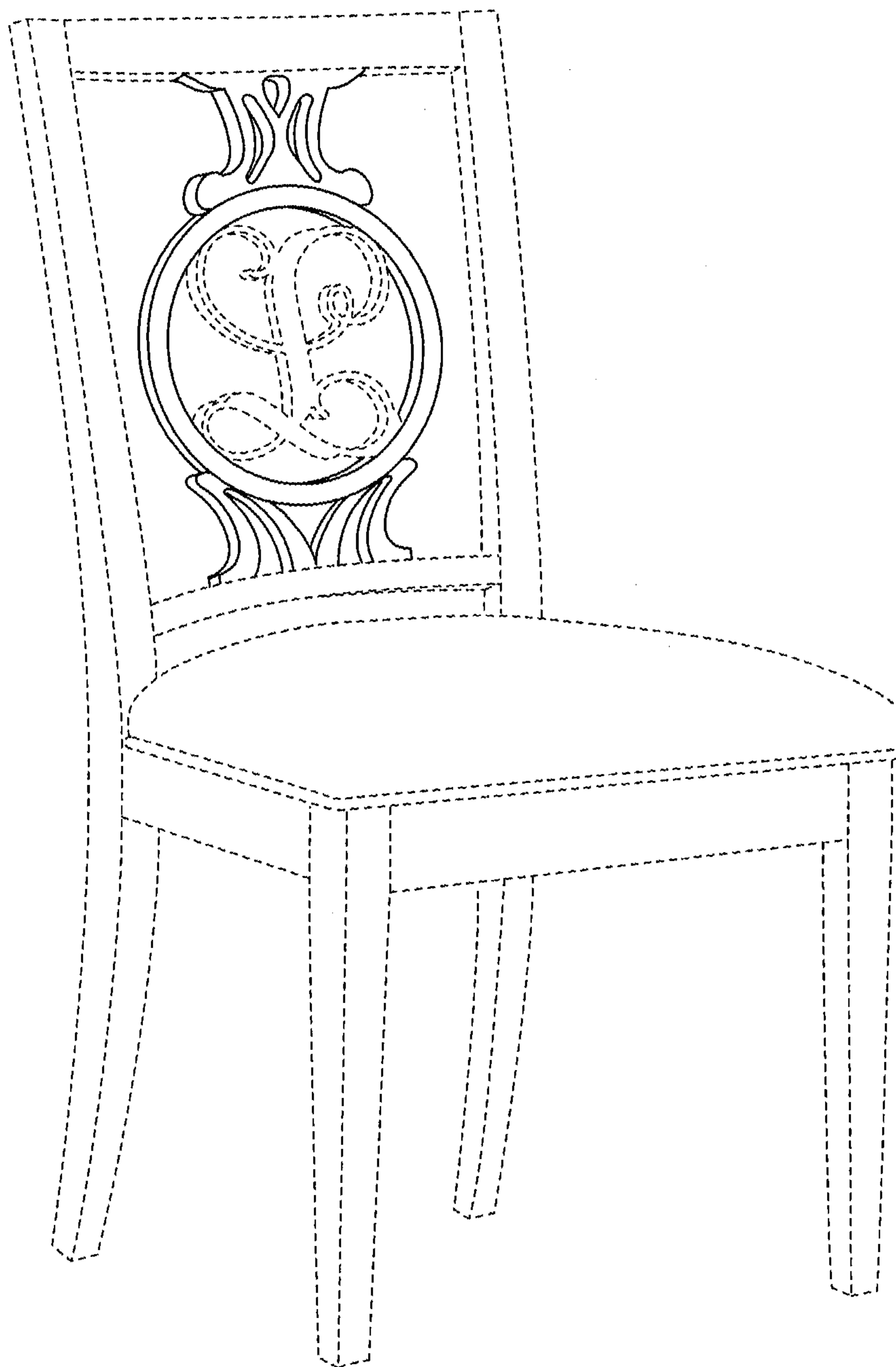


FIG. 1

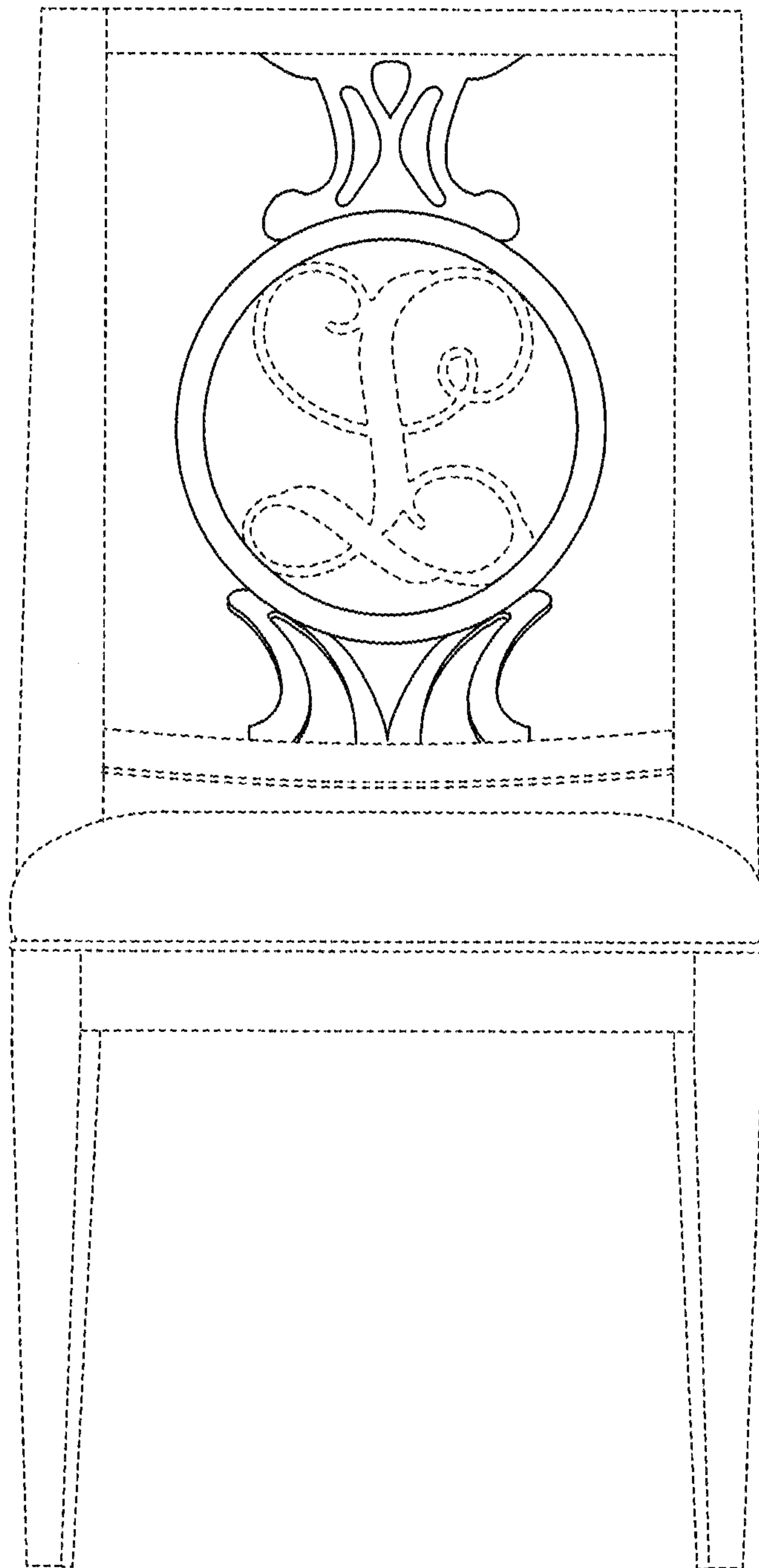


FIG. 2

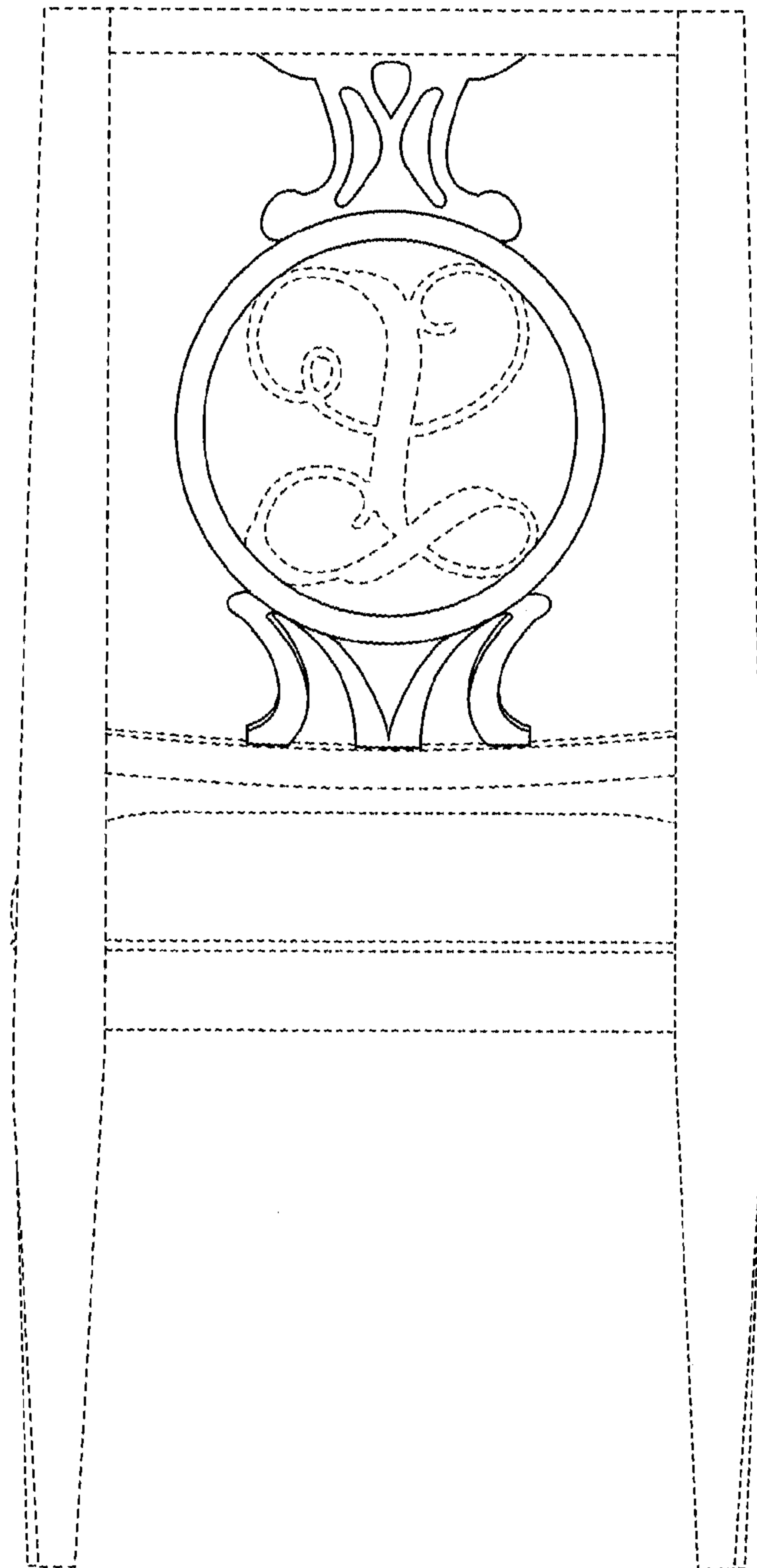


FIG. 3

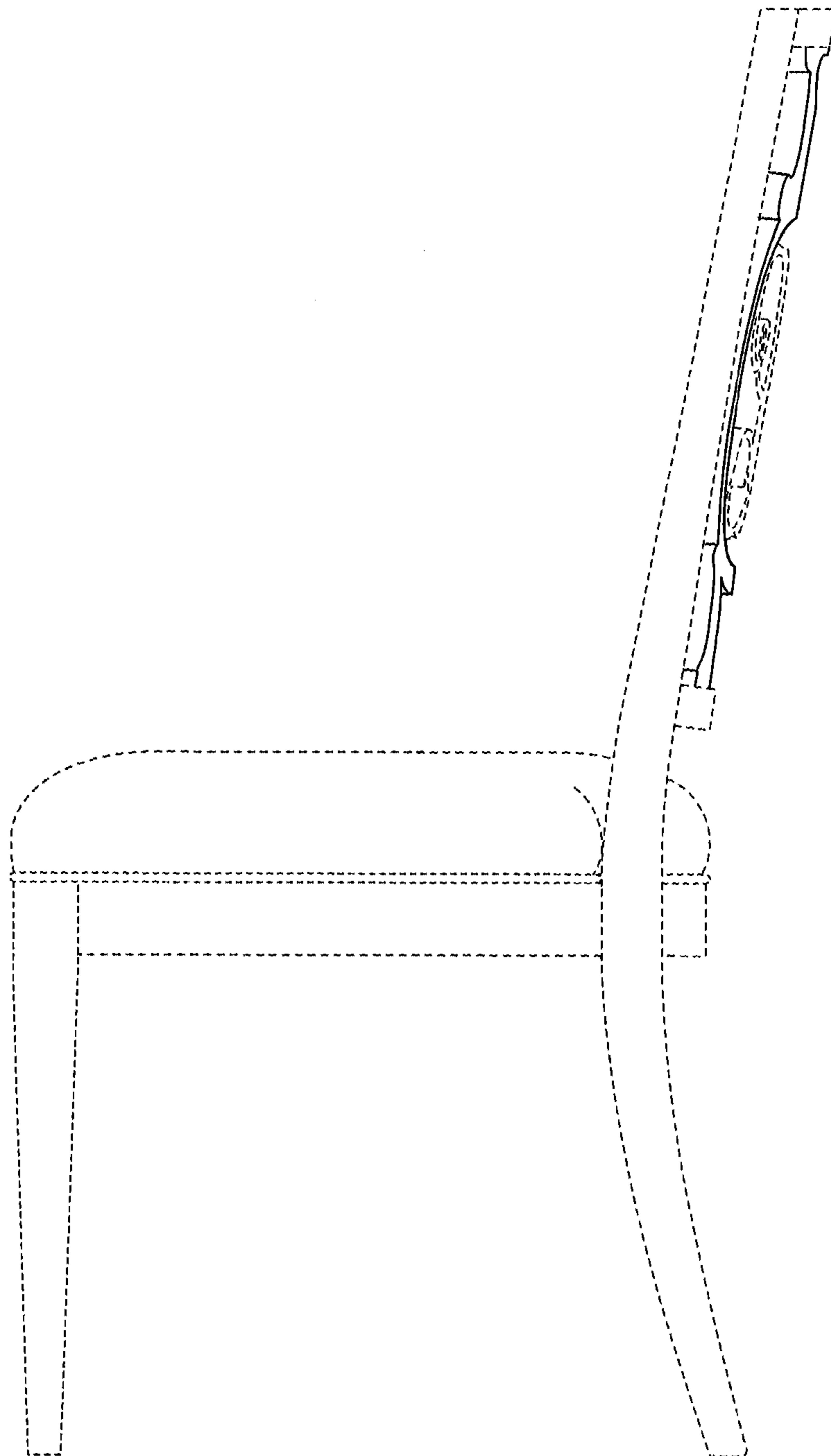


FIG. 4

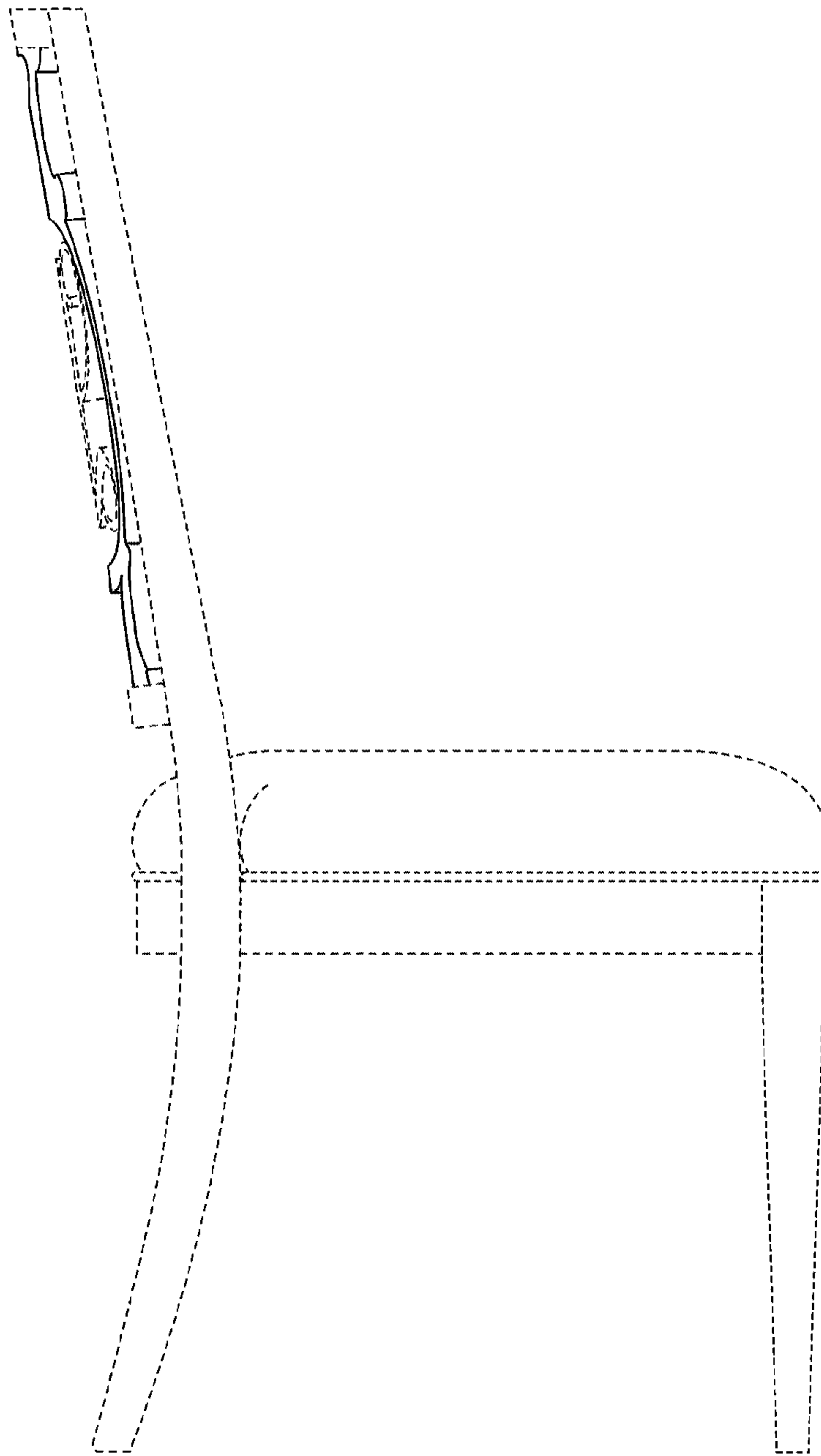


FIG. 5

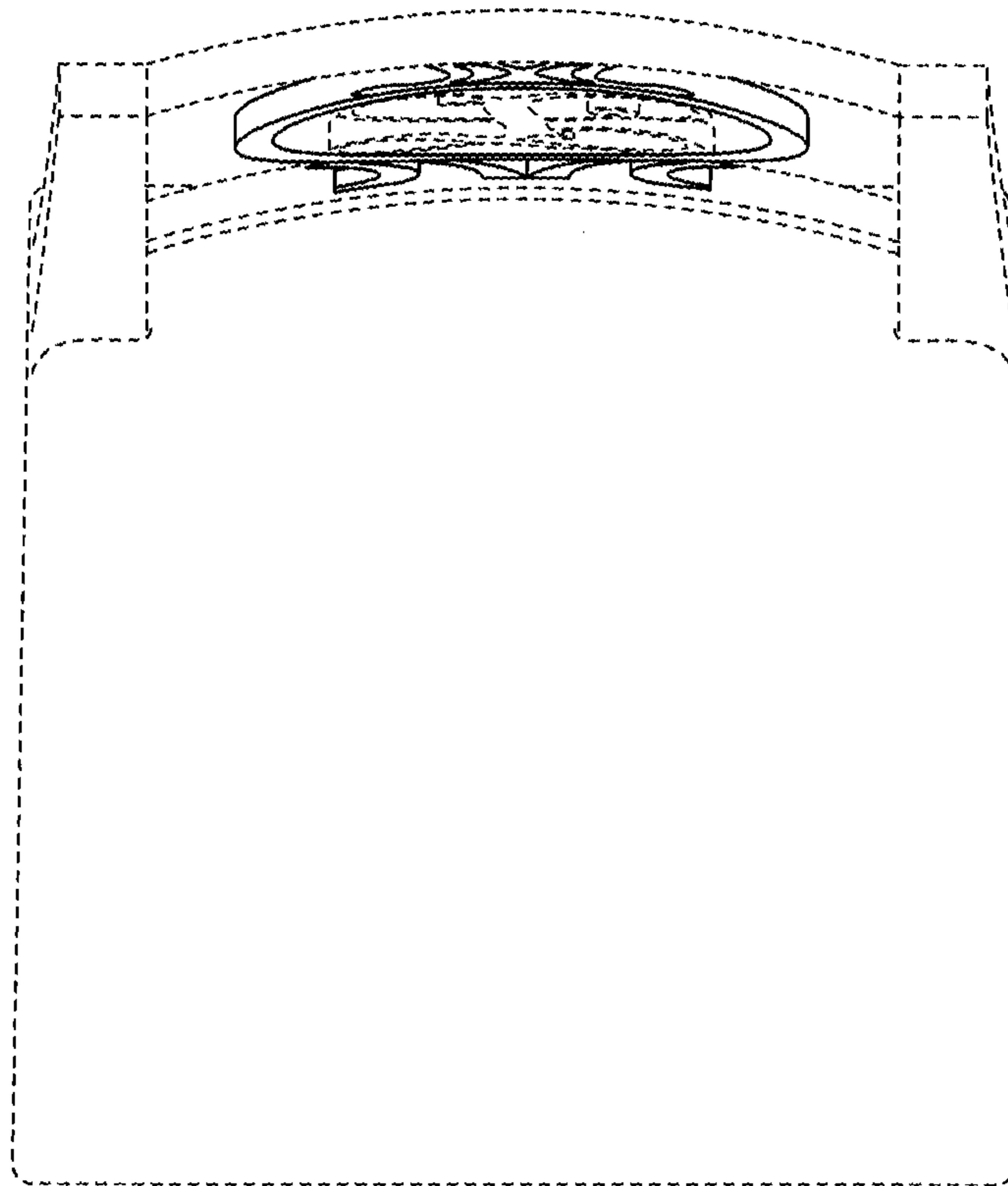


FIG. 6

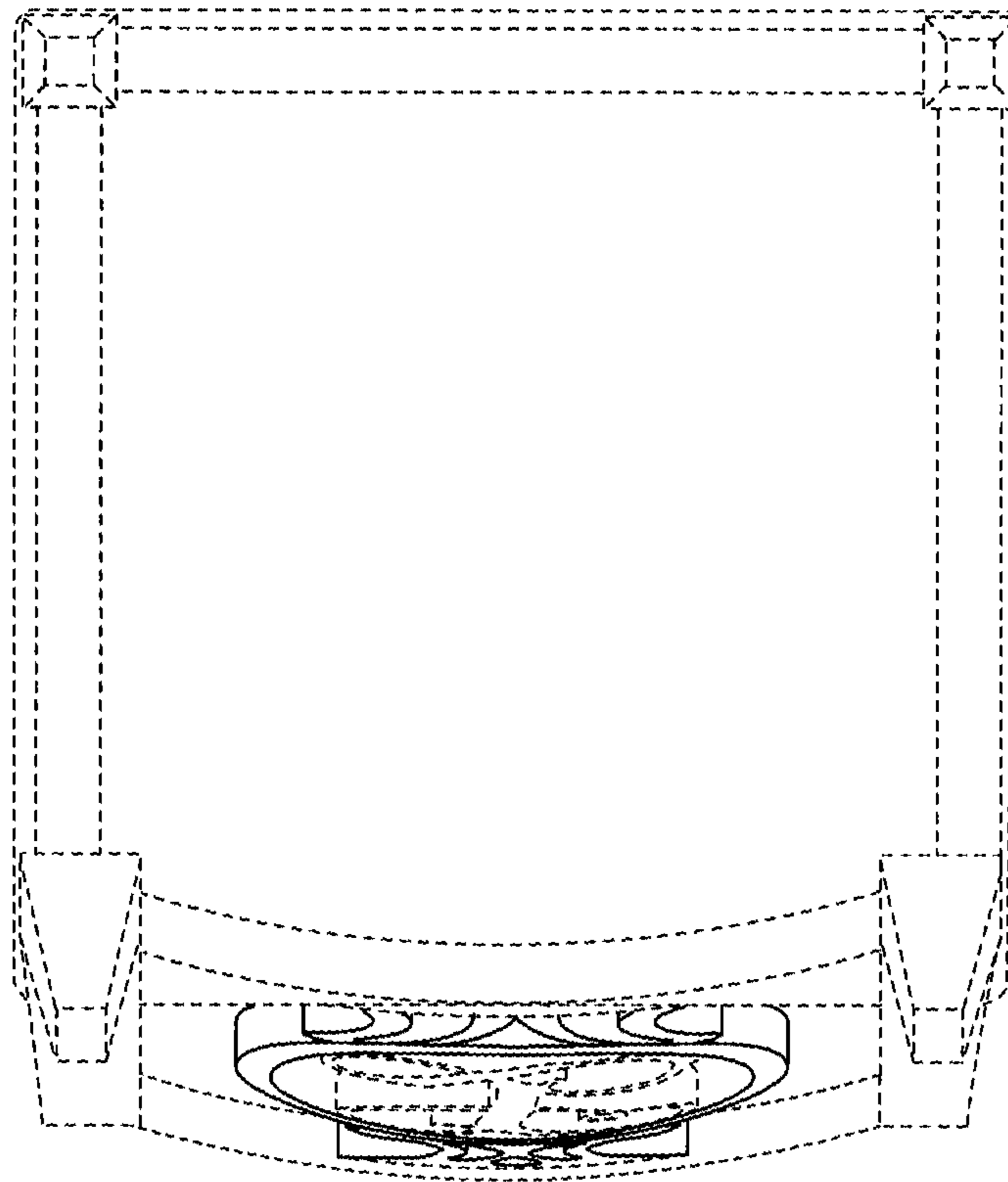


FIG. 7