



US00D772625S

(12) **United States Design Patent** (10) **Patent No.:** **US D772,625 S**  
**Roberts et al.** (45) **Date of Patent:** **\*\* Nov. 29, 2016**

(54) **INFANT SUPPORT STRUCTURE WITH A ROCKING DEVICE**

4,757,854 A 7/1988 Rippberger  
4,856,130 A 8/1989 Berkovich  
4,941,453 A 7/1990 Shakas et al.  
4,985,949 A 1/1991 Jantz  
4,987,624 A 1/1991 Nafli  
5,099,531 A 3/1992 Schmier  
5,269,587 A 12/1993 Cunningham et al.  
5,482,352 A 1/1996 Leal et al.

(71) Applicant: **Mattel, Inc.**, El Segundo, CA (US)

(72) Inventors: **Devin J. Roberts**, Lackawanna, NY (US); **Philip R. Pyrcce**, Getzville, NY (US); **Robert Dean**, Shrewsbury, PA (US); **Robert M. Goszewski**, Depew, NY (US)

(Continued)

**FOREIGN PATENT DOCUMENTS**

(73) Assignee: **Mattel, Inc.**, El Segundo, CA (US)

DE 4344675 A1 3/1995  
FR 2646763 A1 11/1990

(\*\*) Term: **14 Years**

(Continued)

(21) Appl. No.: **29/510,275**

**OTHER PUBLICATIONS**

(22) Filed: **Nov. 26, 2014**

International Search Report PCT/US2014/031397, dated Aug. 21, 2014.

(51) **LOC (10) Cl.** ..... **06-01**

(52) **U.S. Cl.**

USPC ..... **D6/715**; D6/344

(58) **Field of Classification Search**

USPC ..... D6/334-336, 344, 347, 348, 374, 375, D6/716, 716.1, 715

CPC ..... A47D 13/00; A47D 13/02; A47D 13/10; A47D 13/102; A47D 13/105; A47D 13/107; A47D 9/02; A63G 9/00; A63G 9/16

See application file for complete search history.

*Primary Examiner* — Mimosa De

(74) *Attorney, Agent, or Firm* — Edell, Shapiro & Finnan, LLC

(57) **CLAIM**

The ornamental design for a infant support structure with a rocking device, as shown and described.

**DESCRIPTION**

(56) **References Cited**

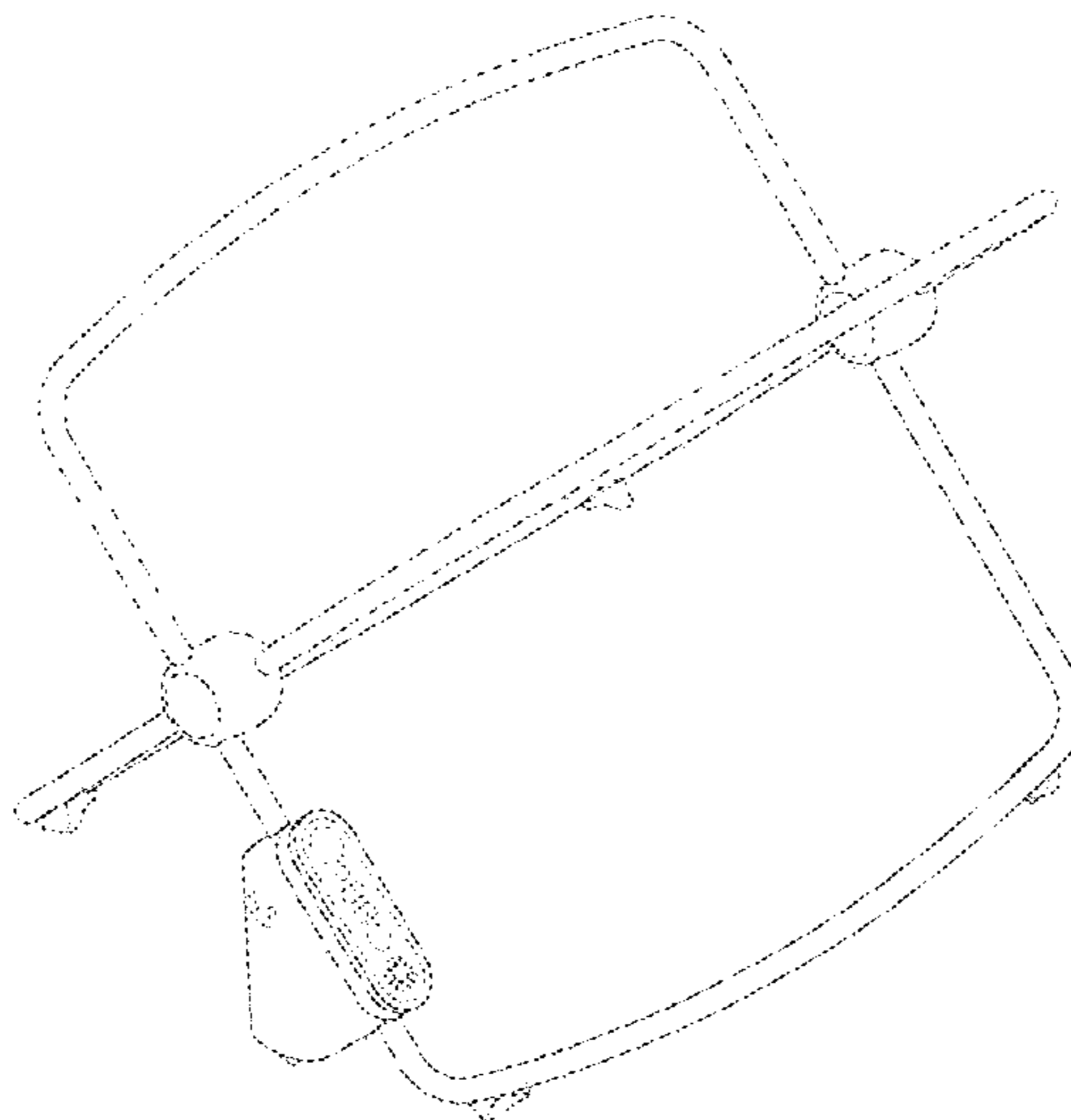
**U.S. PATENT DOCUMENTS**

2,163,359 A 6/1939 Van Derveer  
2,467,890 A 4/1949 Harvey  
2,633,580 A 4/1953 Dooley  
2,916,744 A 12/1959 May et al.  
3,179,958 A 4/1965 Carris  
3,837,019 A 9/1974 Hoff  
3,839,754 A 10/1974 Hooper  
3,886,607 A 6/1975 Dunn  
4,344,196 A 8/1982 Large  
4,377,011 A 3/1983 Kinberger  
4,553,786 A 11/1985 Lockett, III et al.

FIG. 1 is a front perspective view of an infant support structure with a rocking device of the present invention; FIG. 2 is left side view of FIG. 1; FIG. 3 is a right side view of FIG. 1; FIG. 4 is a top view of FIG. 1; FIG. 5 is a bottom view of FIG. 1; FIG. 6 is a front view of FIG. 1; and, FIG. 7 is a rear view of FIG. 1.

The portions shown in phantom are for illustrative purposes only and form no part of the claimed design.

**1 Claim, 7 Drawing Sheets**



(56)

References Cited

U.S. PATENT DOCUMENTS

5,572,903 A 11/1996 Lee  
 5,681,082 A 10/1997 Drexler  
 5,694,655 A 12/1997 Shepler et al.  
 5,836,023 A 11/1998 Stone Munson  
 5,855,031 A 1/1999 Swift, Jr.  
 5,860,698 A 1/1999 Asenstorfer et al.  
 5,974,636 A 11/1999 Brown et al.  
 6,174,028 B1 1/2001 Yang et al.  
 6,241,188 B1 6/2001 Simpson et al.  
 6,508,509 B2 1/2003 Peterson  
 6,682,137 B2 1/2004 Hsia  
 D490,993 S \* 6/2004 Longenecker ..... D6/344  
 6,745,444 B2 6/2004 Moilanen  
 6,954,955 B2 10/2005 Brewin et al.  
 7,059,000 B2 6/2006 Verbovsky  
 7,191,555 B2 3/2007 Hughes  
 7,258,617 B2 \* 8/2007 Chen ..... A47D 13/105  
 297/130  
 7,272,865 B2 9/2007 Le Gette et al.  
 7,275,996 B2 \* 10/2007 Dillner ..... A47D 13/105  
 472/119  
 7,429,079 B2 9/2008 Baloga et al.  
 7,452,031 B2 11/2008 Woellert et al.  
 7,537,285 B2 5/2009 Stewart  
 7,739,759 B2 6/2010 Mendes et al.  
 7,837,570 B2 \* 11/2010 Kwon ..... A47D 13/105  
 472/119  
 7,862,118 B2 1/2011 Sims, Jr.  
 7,874,617 B2 1/2011 Ogle  
 7,882,579 B2 2/2011 Jackson et al.  
 7,891,736 B2 2/2011 Sims, Jr.  
 8,001,630 B2 8/2011 Burkholder et al.  
 8,117,690 B1 2/2012 Larsson  
 8,141,186 B2 3/2012 Burns et al.  
 8,201,291 B2 6/2012 Burns et al.  
 8,291,530 B2 10/2012 Burkholder et al.  
 8,316,481 B2 11/2012 Arnold, IV et al.  
 8,491,401 B2 \* 7/2013 Szymanski ..... A47D 13/105  
 297/270.1

8,636,601 B2 \* 1/2014 Zhang ..... A63G 9/16  
 472/119  
 8,678,942 B2 \* 3/2014 Zhang ..... A47D 13/105  
 297/184.15  
 8,702,526 B2 \* 4/2014 Myers ..... A63G 9/00  
 472/118  
 8,784,226 B2 \* 7/2014 Yang ..... A47D 13/105  
 297/256.16  
 8,795,097 B2 \* 8/2014 Chapman ..... A47D 13/105  
 472/119  
 8,876,617 B2 \* 11/2014 Robbins ..... A47D 13/10  
 472/118  
 8,900,063 B2 \* 12/2014 Lin ..... A47D 13/105  
 472/119  
 8,944,927 B2 \* 2/2015 Huntsberger ..... A47D 13/00  
 297/281  
 2002/0002741 A1 1/2002 Tomas et al.  
 2002/0145345 A1 10/2002 Costa  
 2003/0057744 A1 3/2003 Wilkins et al.  
 2003/0067199 A1 4/2003 Asbach et al.  
 2005/0264063 A1 12/2005 Babcock et al.  
 2005/0283908 A1 12/2005 Wong et al.  
 2006/0117478 A1 6/2006 Cheung  
 2007/0200406 A1 8/2007 Hathaway  
 2007/0209112 A1 9/2007 Waldman et al.  
 2009/0077742 A1 3/2009 Burns et al.  
 2009/0093182 A1 4/2009 Jacobs et al.  
 2009/0200846 A1 8/2009 Yehuda  
 2010/0001566 A1 1/2010 Yehuda  
 2010/0218312 A1 9/2010 Quintas Mendes  
 2011/0148155 A1 6/2011 Chapman et al.  
 2011/0148159 A1 6/2011 Barron et al.  
 2012/0235450 A1 9/2012 Oren et al.  
 2013/0047336 A1 2/2013 Burkholder et al.  
 2013/0139313 A1 6/2013 D'Arrigo  
 2013/0198951 A1 8/2013 Arnold, IV et al.

FOREIGN PATENT DOCUMENTS

FR 2649872 A1 1/1991  
 WO 200462977 A1 7/2004

\* cited by examiner

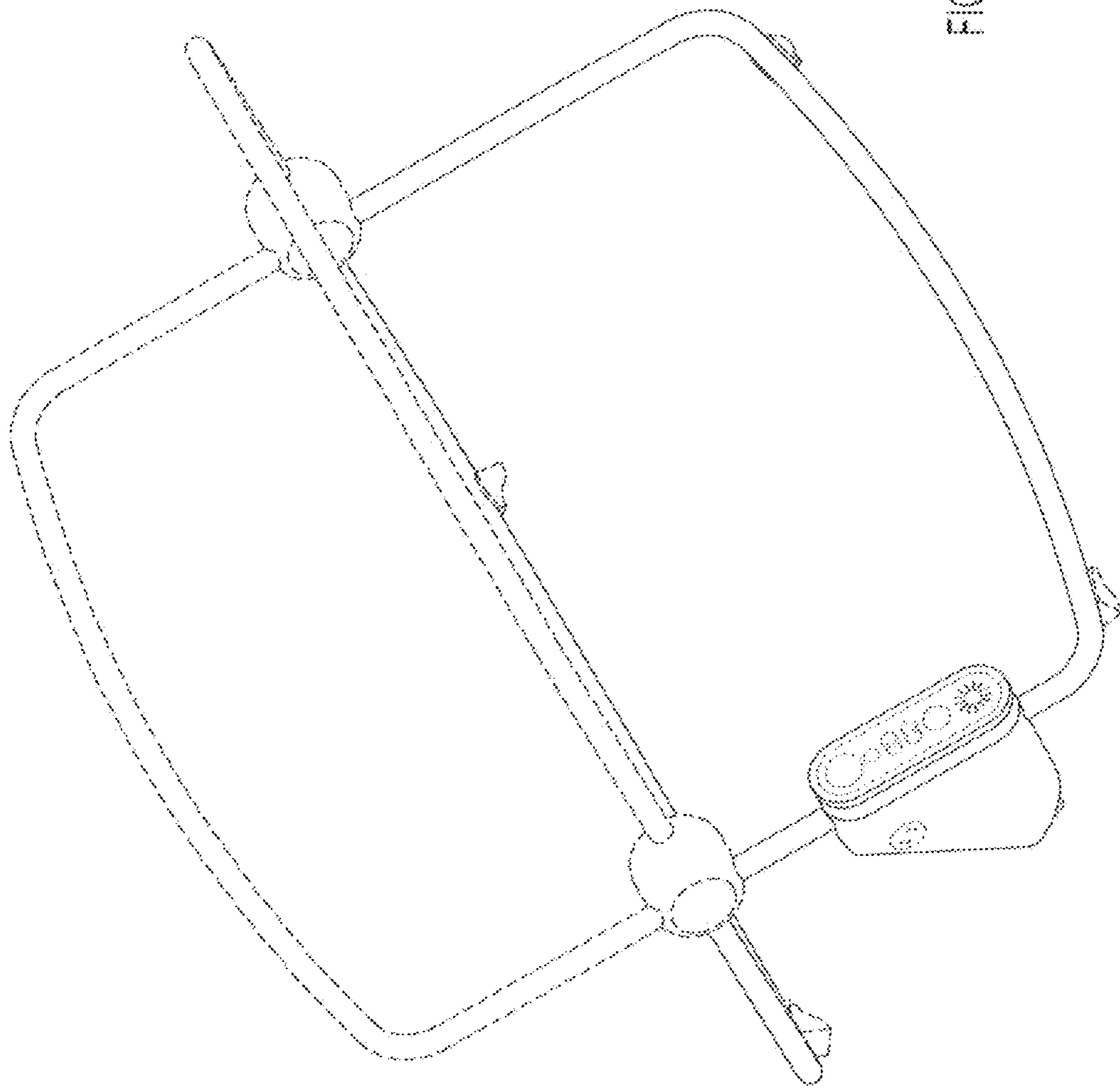


FIG. 1

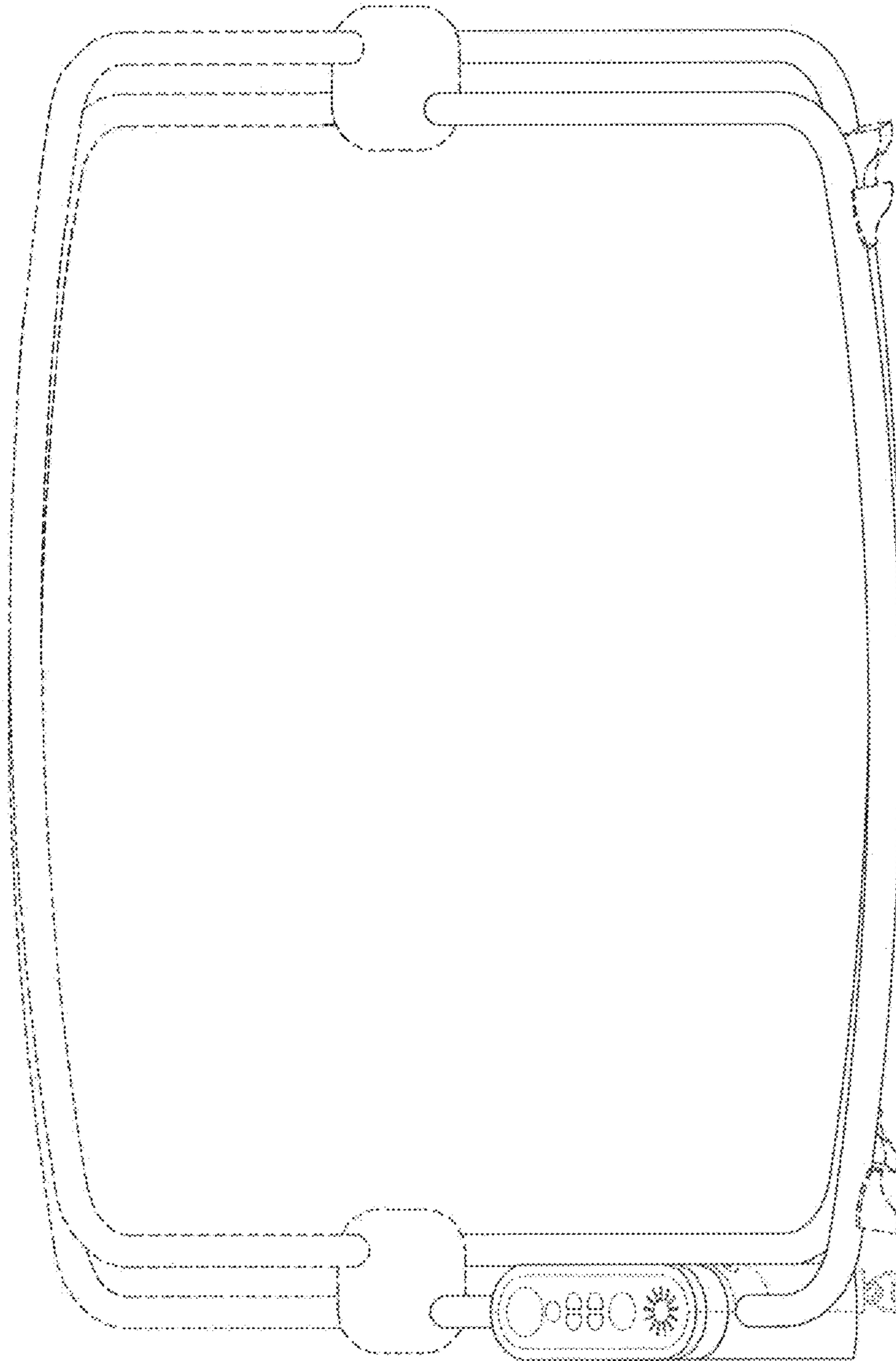


FIG.2

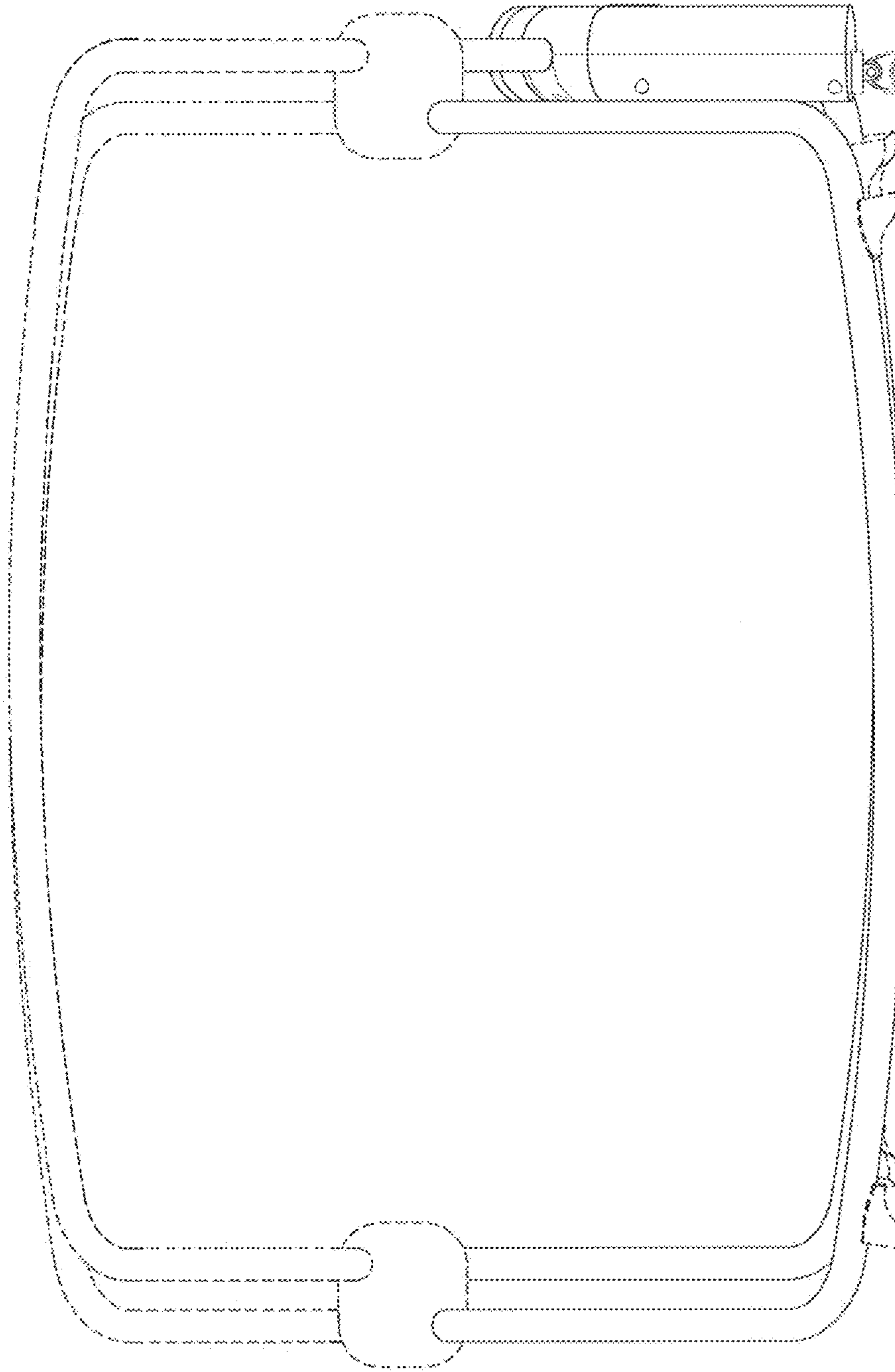


FIG.3

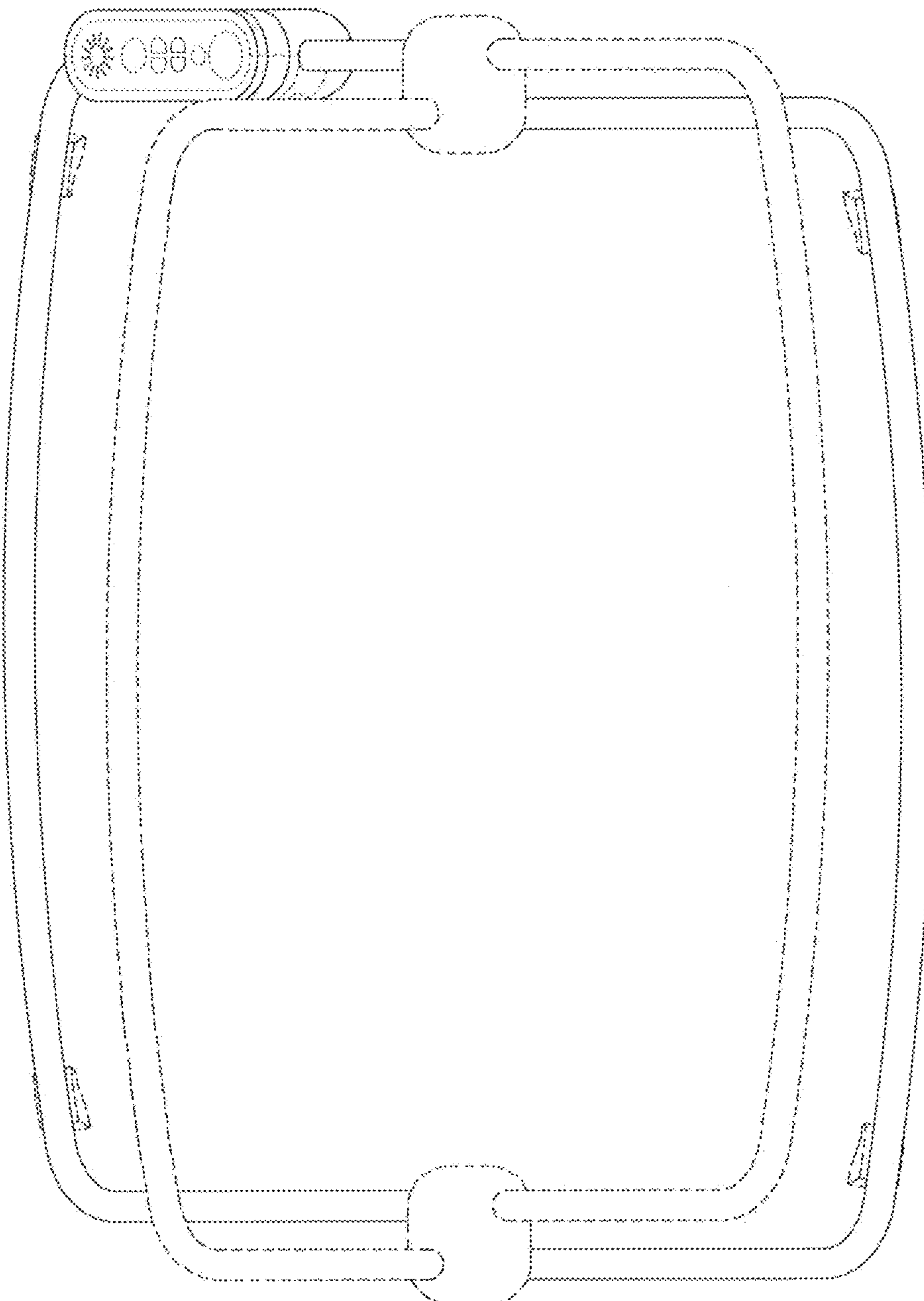


FIG. 4

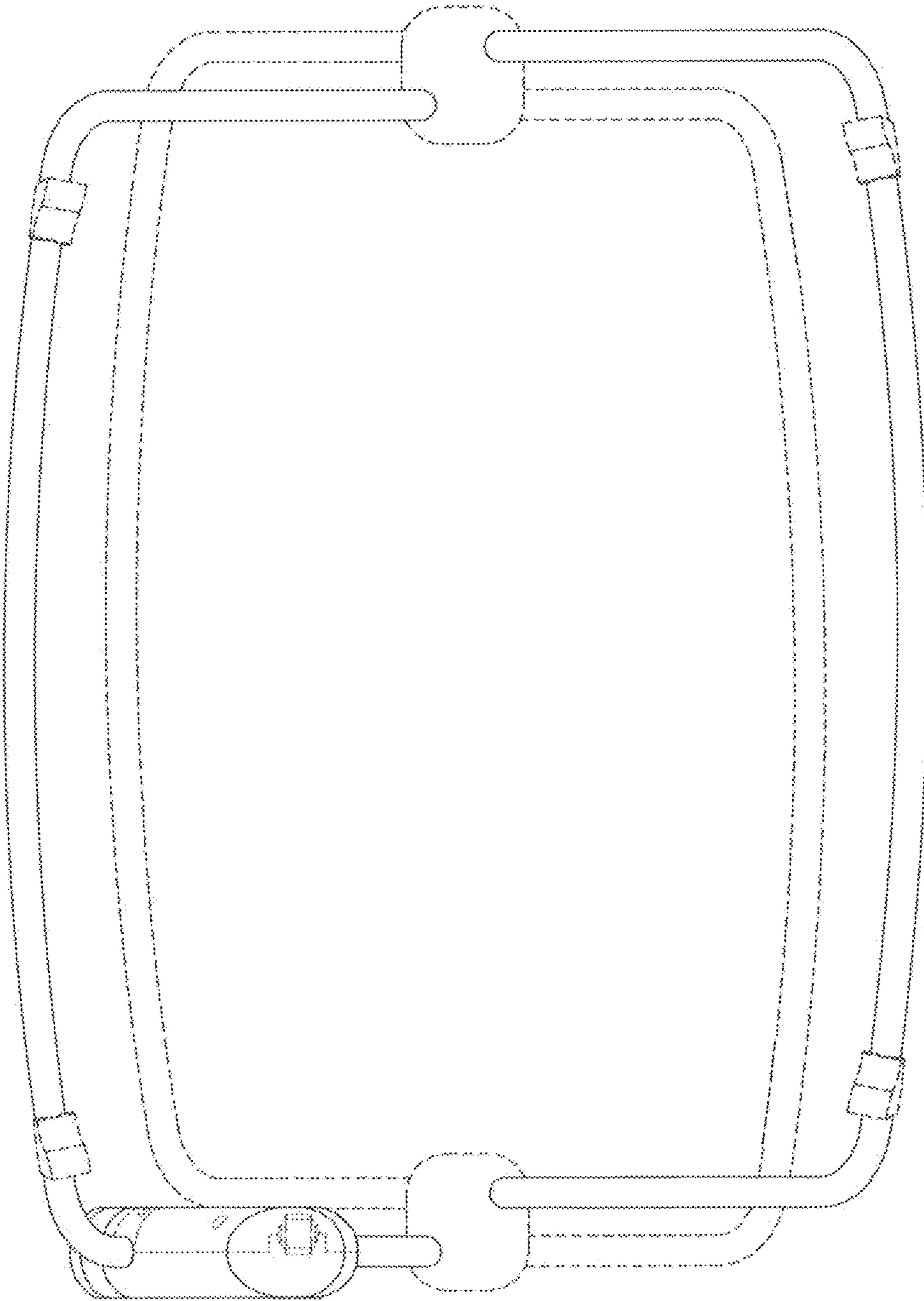


FIG. 5

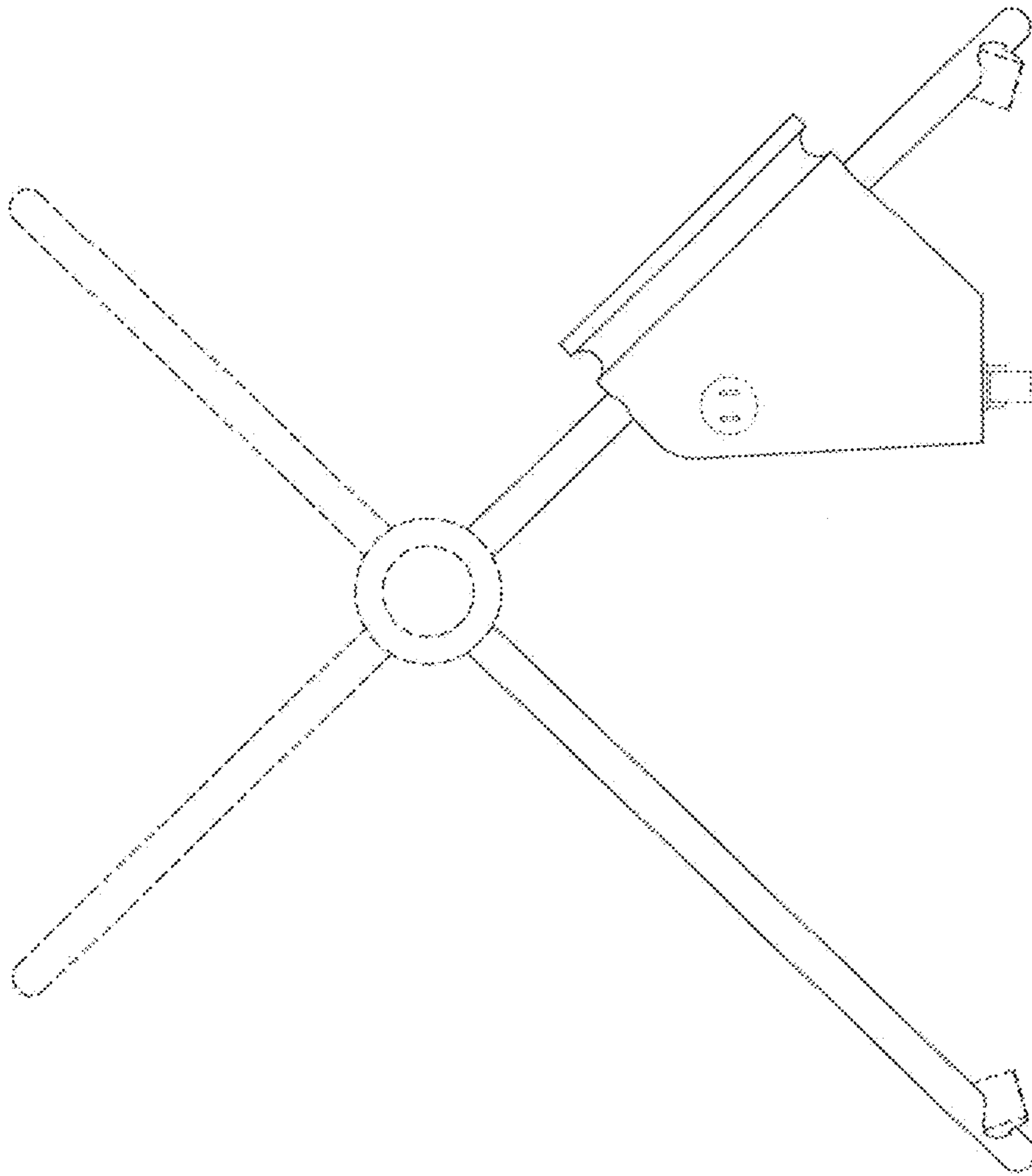


FIG. 6



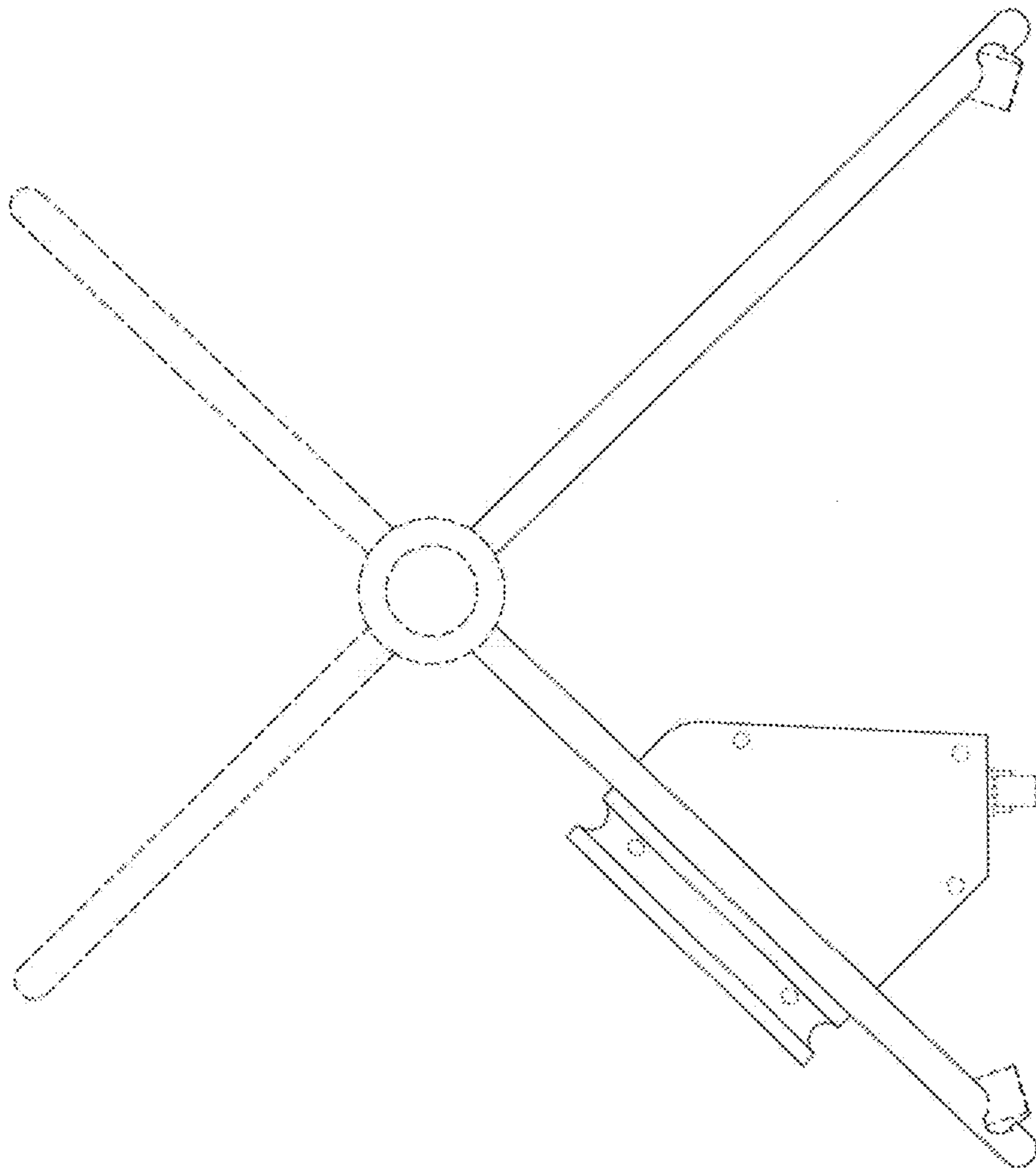


FIG.7