



US00D772624S

(12) **United States Design Patent** (10) **Patent No.:** **US D772,624 S**  
**Levy** (45) **Date of Patent:** **\*\* Nov. 29, 2016**

(54) **TABLE**

(71) Applicant: **TON a.s.**, Bystřice pod Hostýnem (CZ)

(72) Inventor: **Arik Levy**, Bystřice pod Hostýnem (CZ)

(73) Assignee: **TON a.s.**, Bystrice pod Hostýnem (CZ)

(\*\*) Term: **15 Years**

(21) Appl. No.: **29/533,860**

(22) Filed: **Jul. 22, 2015**

(30) **Foreign Application Priority Data**

Jan. 22, 2015 (EM) ..... 002618421-0009

(51) **LOC (10) Cl.** ..... **06-03**

(52) **U.S. Cl.**  
USPC ..... **D6/691.4**

(58) **Field of Classification Search**  
USPC ..... D6/685, 691, 691.4, 708  
CPC ..... A47B 7/00; A47B 21/00; A47B 25/00;  
A47B 13/023; A47B 13/026; A47B 13/028  
See application file for complete search history.

(56) **References Cited**

**U.S. PATENT DOCUMENTS**

D97,569 S \* 11/1935 Trautmann ..... D6/691.4  
D164,365 S \* 8/1951 Hiebert ..... D6/691.9  
D257,653 S \* 12/1980 Berlic ..... D6/691.5  
4,823,709 A \* 4/1989 Tesney ..... A47B 13/083  
108/157.15  
D363,399 S \* 10/1995 Wong ..... D6/689  
D543,732 S \* 6/2007 Alter Molina ..... D6/692.3

D621,641 S \* 8/2010 Li ..... D6/691.4  
D672,984 S \* 12/2012 Lade ..... D6/691.2  
2012/0097078 A1 \* 4/2012 Schwabe ..... A47B 13/08  
108/90

**OTHER PUBLICATIONS**

'Round Glass Table'. overstock.com [online]. Earliest date Nov. 11, 2015 [retrieved Jul. 18, 2016]. Retrieved from the Internet: <URL: <http://www.overstock.com/Home-Garden/Round-Glass-Table/10641933/product.html?refccid=XPFR52XTJFJAGCGWBGKGP75M&searchidx=198>>.\*  
Chin, Andrea. 'arik levy adapts wood-bending technology in split + bloom series for TON'. designboom.com [online]. Apr. 13, 2015 [retrieved Jul. 18, 2016]. Retrieved from the Internet: <URL: <http://www.designboom.com/design/arik-levy-ton-split-chair-milan-design-week-04-13-2015/>>.\*

\* cited by examiner

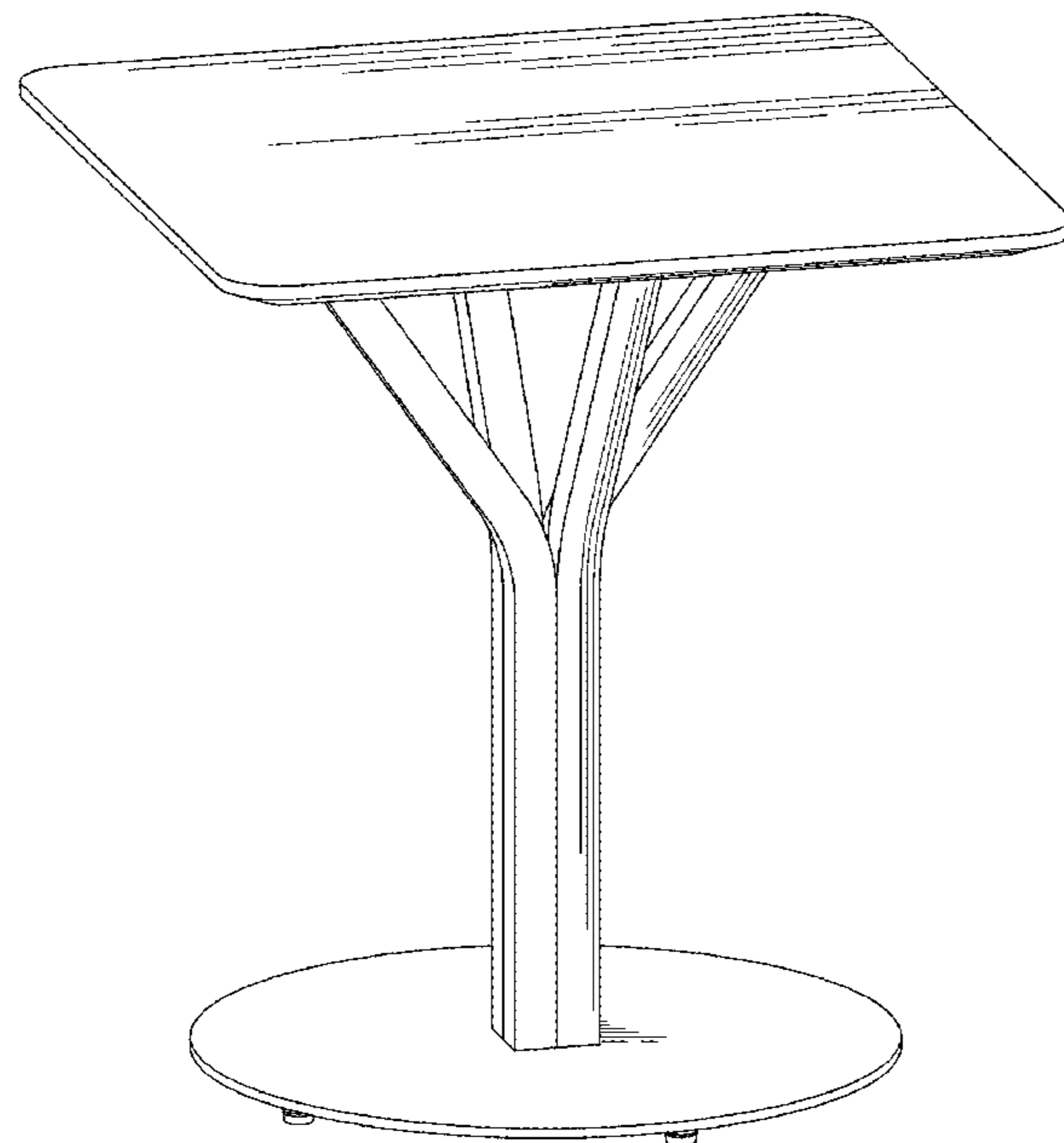
*Primary Examiner* — Mary Ann Calabrese  
*Assistant Examiner* — Megan M Majcher Hartnett  
(74) *Attorney, Agent, or Firm* — Charles T. J. Weigell, Esq.; Fross Zelnick Lehrman & Zissu, P.C.

(57) **CLAIM**  
The ornamental design for a table, as shown and described.

**DESCRIPTION**

FIG. 1 is a perspective view of a table showing the new design;  
FIG. 2 is a front view of the table shown in FIG. 1, with the back view being a mirror image thereof, and the right and left sides being identical thereto; and,  
FIG. 3 is a bottom perspective view thereof.

**1 Claim, 3 Drawing Sheets**



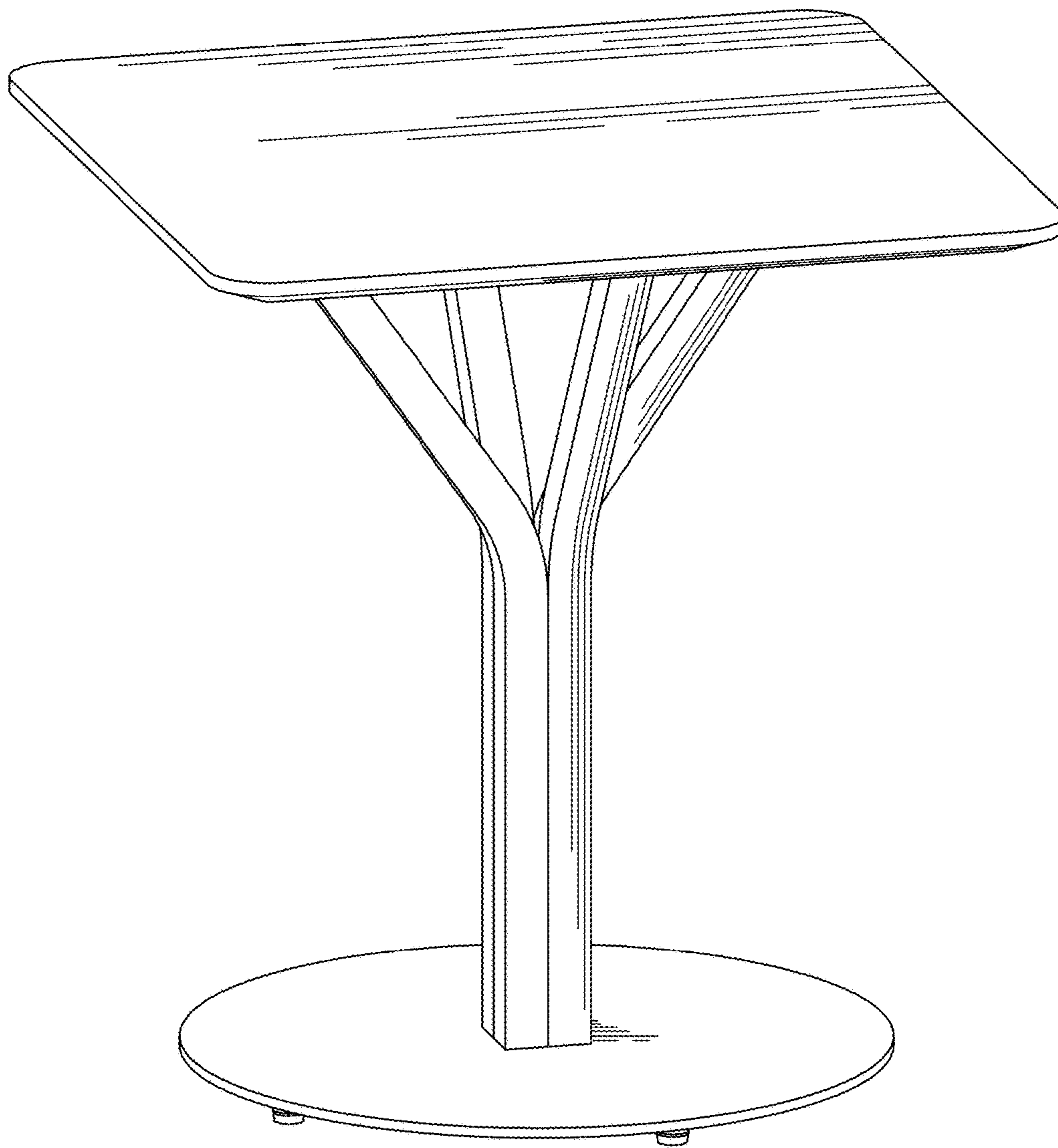


FIG. 1

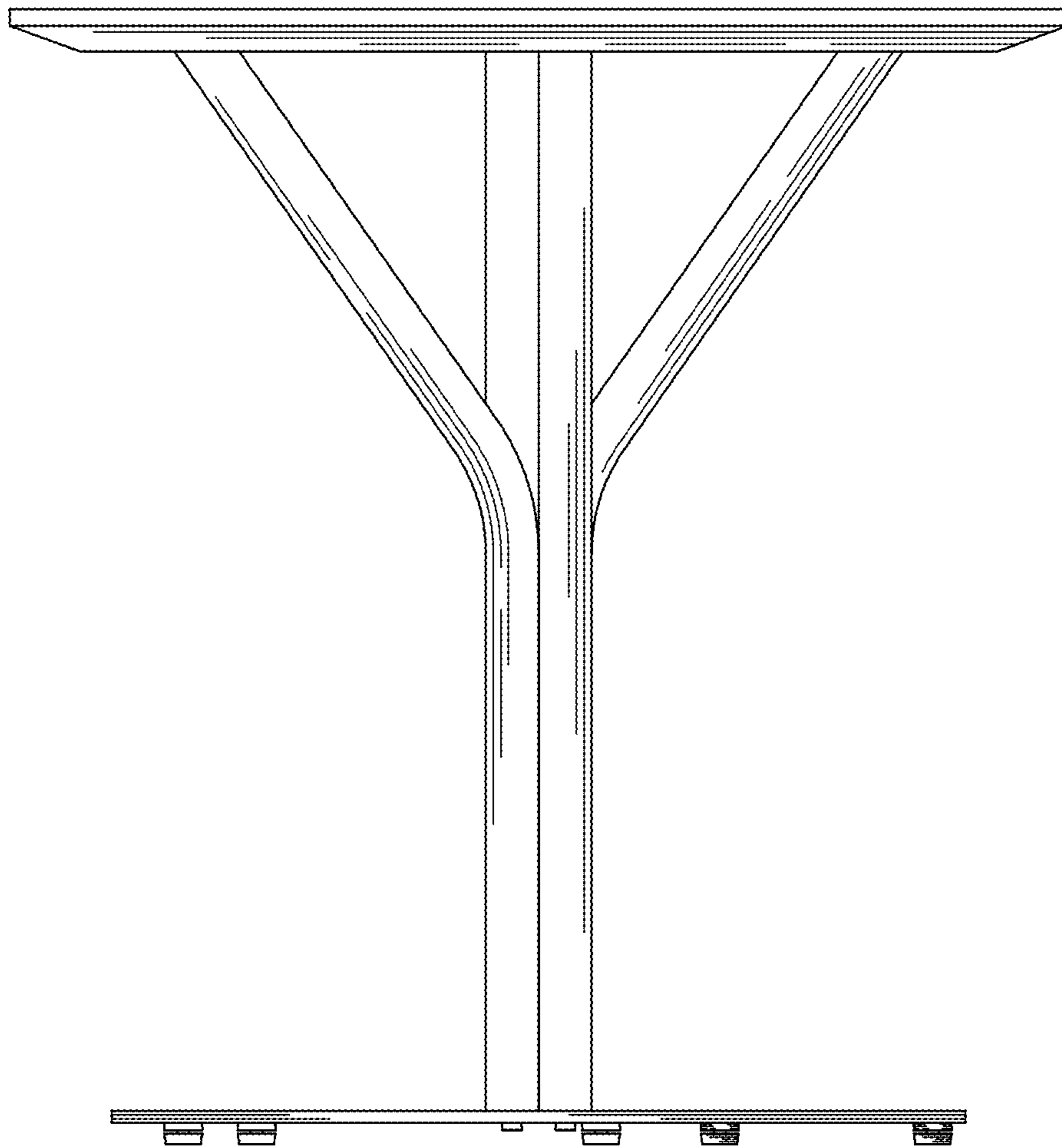


FIG. 2

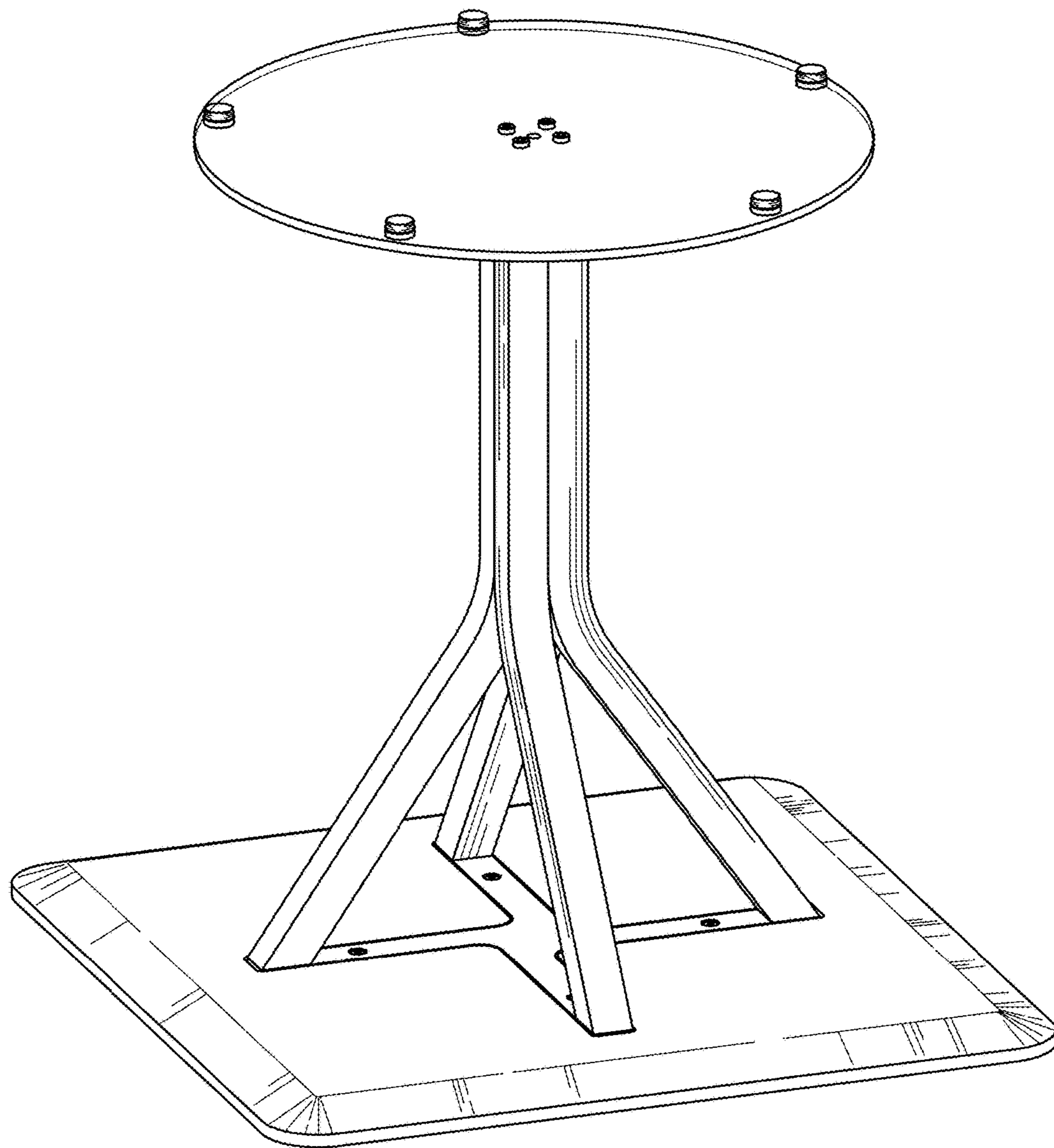


FIG. 3