



US00D772623S

(12) **United States Design Patent** (10) **Patent No.:** **US D772,623 S**
Lin (45) **Date of Patent:** **** Nov. 29, 2016**

(54) **TABLE WITH EXTENDABLE TABLETOP**

(71) Applicant: **Zhuhai Shichang Metals Ltd.**, Zhuahi, Guangdong Province (CN)

(72) Inventor: **Wen-Sheng Lin**, Kaohsiung (TW)

(73) Assignee: **Zhuhai Shichang Metals Ltd.** (CN)

(**) Term: **15 Years**

(21) Appl. No.: **29/543,891**

(22) Filed: **Oct. 29, 2015**

(51) **LOC (10) Cl.** **06-03**

(52) **U.S. Cl.**
USPC **D6/691**

(58) **Field of Classification Search**
USPC D6/691, 368, 691.6, 692, 675, 692.4,
D6/707.17, 656.13, 688.13, 656.15;
106/162, 119, 117; 248/166
CPC A47B 3/00; A47B 3/0818; A47B 3/087;
A47B 3/091; A47B 17/00; A47B 17/003;
A47B 21/00; A47B 21/021; A47B 13/00;
A47B 13/04; A47B 13/06; A47B 2200/0027;
A47B 2200/0029; A47B 2097/006
See application file for complete search history.

(56) **References Cited**

U.S. PATENT DOCUMENTS

3,294,042	A	12/1966	Charne et al.	
3,336,883	A	8/1967	Wengi	
5,461,989	A	10/1995	Grandclement et al.	
5,735,220	A	4/1998	Wang	
D414,626	S *	10/1999	Collins	D6/691.6
D420,527	S *	2/2000	Pinch	D6/691.6
D444,967	S *	7/2001	Mourgue	D6/691.6
D476,169	S *	6/2003	Buono	D6/691.6
D503,298	S *	3/2005	Juneau	D6/691
D504,035	S *	4/2005	Sun	D6/691
D508,625	S *	8/2005	Frenkler	D6/647
D515,841	S *	2/2006	Hsu	D6/691.6
D575,083	S *	8/2008	Lin	D6/691.6
D582,179	S *	12/2008	Lambert	D6/689

D593,769	S *	6/2009	Jeup	D6/656
7,975,625	B2	7/2011	Topham et al.	
D663,133	S *	7/2012	Pelikan	D6/691
D723,840	S *	3/2015	Scharer	D6/656.13
D732,852	S *	6/2015	Park	D6/656
D742,146	S *	11/2015	Lin	D6/691

(Continued)

FOREIGN PATENT DOCUMENTS

CN	2282358	Y	5/1998
CN	2297909	Y	11/1998
WO	2004058003	A2	7/2004
WO	2004058003	A3	7/2004
WO	2004058004	A2	7/2004

Primary Examiner — Rosemary K Tarcza

Assistant Examiner — James Thorn, Sr.

(74) *Attorney, Agent, or Firm* — Luedeka Neely Group, P.C.

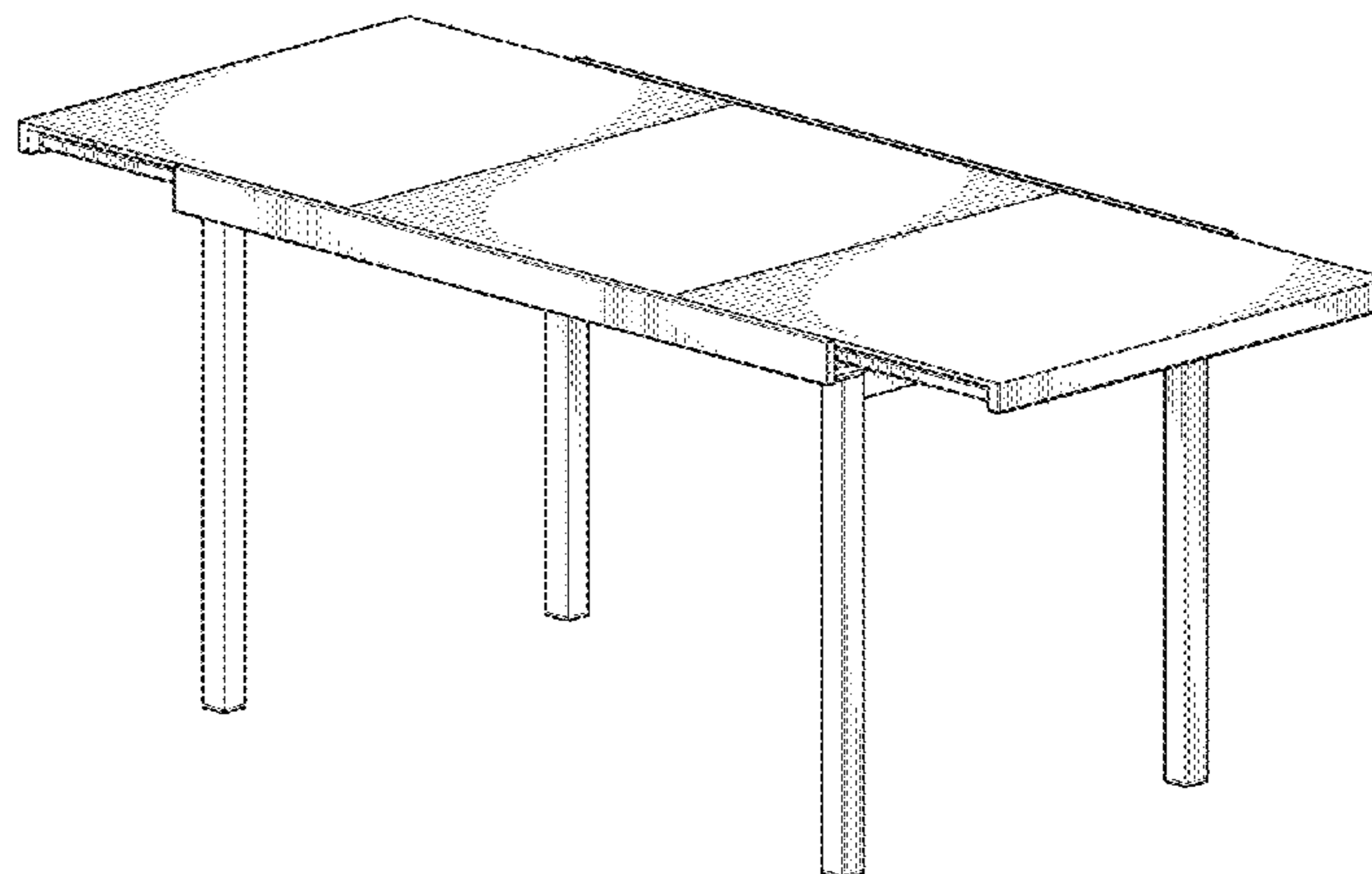
(57) **CLAIM**

The ornamental design for a table with extendable tabletop, as shown and described.

DESCRIPTION

FIG. 1 is a top perspective view of the table with extendable tabletop;
 FIG. 2 is a left side elevation view of the table with extendable tabletop;
 FIG. 3 is a right side elevation view of the table with extendable tabletop;
 FIG. 4 is a front elevation view of the table with extendable tabletop;
 FIG. 5 is a rear elevation view of the table with extendable tabletop;
 FIG. 6 is a top plan view of the table with extendable tabletop;
 FIG. 7 is a bottom plan view of the table with extendable tabletop; and,
 FIG. 8 is a bottom perspective view of the table with extendable tabletop.

1 Claim, 8 Drawing Sheets



(56)

References Cited

U.S. PATENT DOCUMENTS

D749,878 S *	2/2016	Domingo	D6/656.13	D758,113 S *	6/2016	Domingo	D6/691
D750,402 S *	3/2016	Lin	D6/691	2005/0155531 A1 *	7/2005	Chang	A47B 3/0911
D753,418 S *	4/2016	Hsu	D6/675					108/130
D757,471 S *	5/2016	Domingo	D6/691	2011/0203494 A1 *	8/2011	Ashby	A47B 3/087
									108/127
					2013/0025509 A1 *	1/2013	Jin	A47B 3/087
									108/166

* cited by examiner

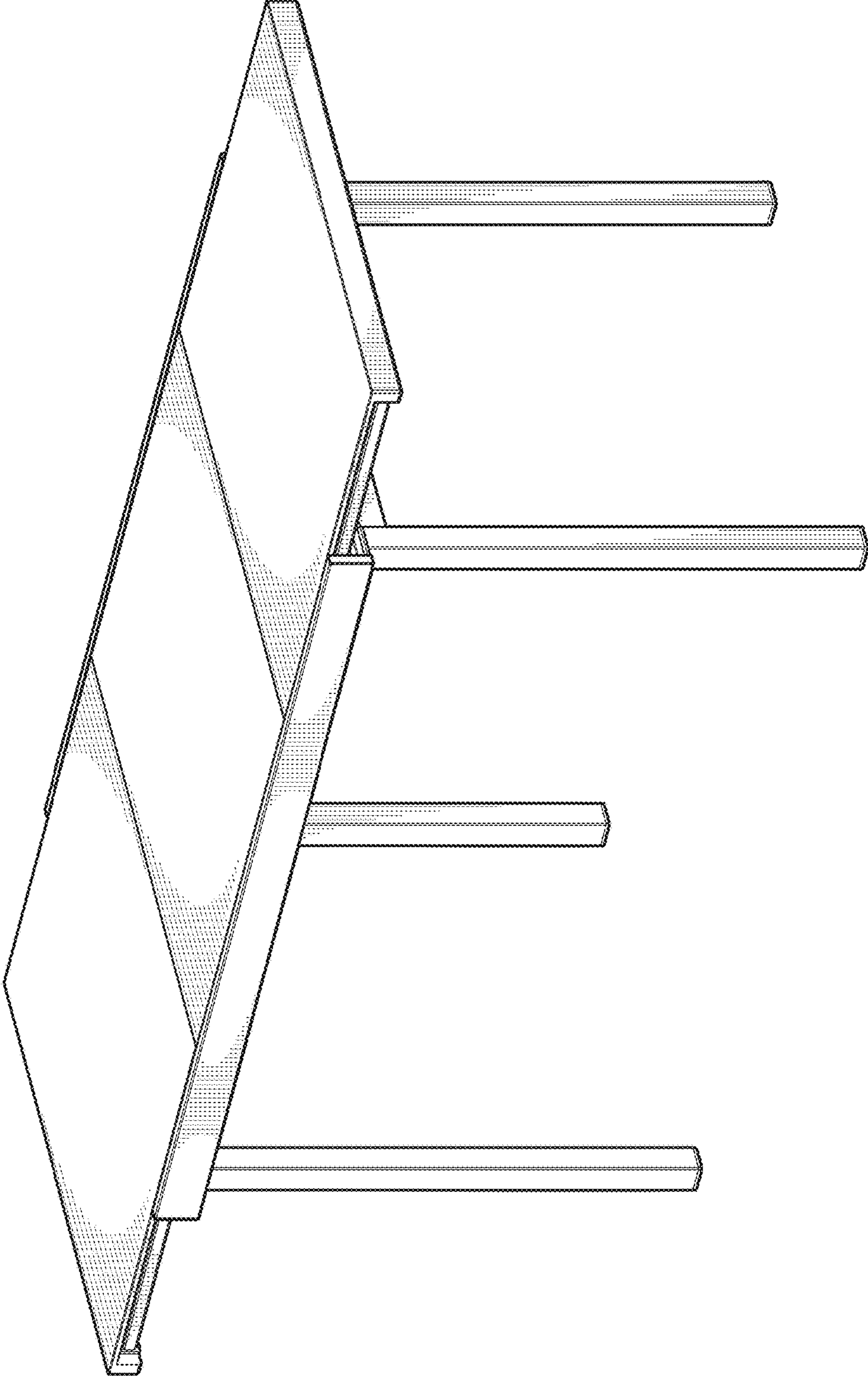


FIG. 1

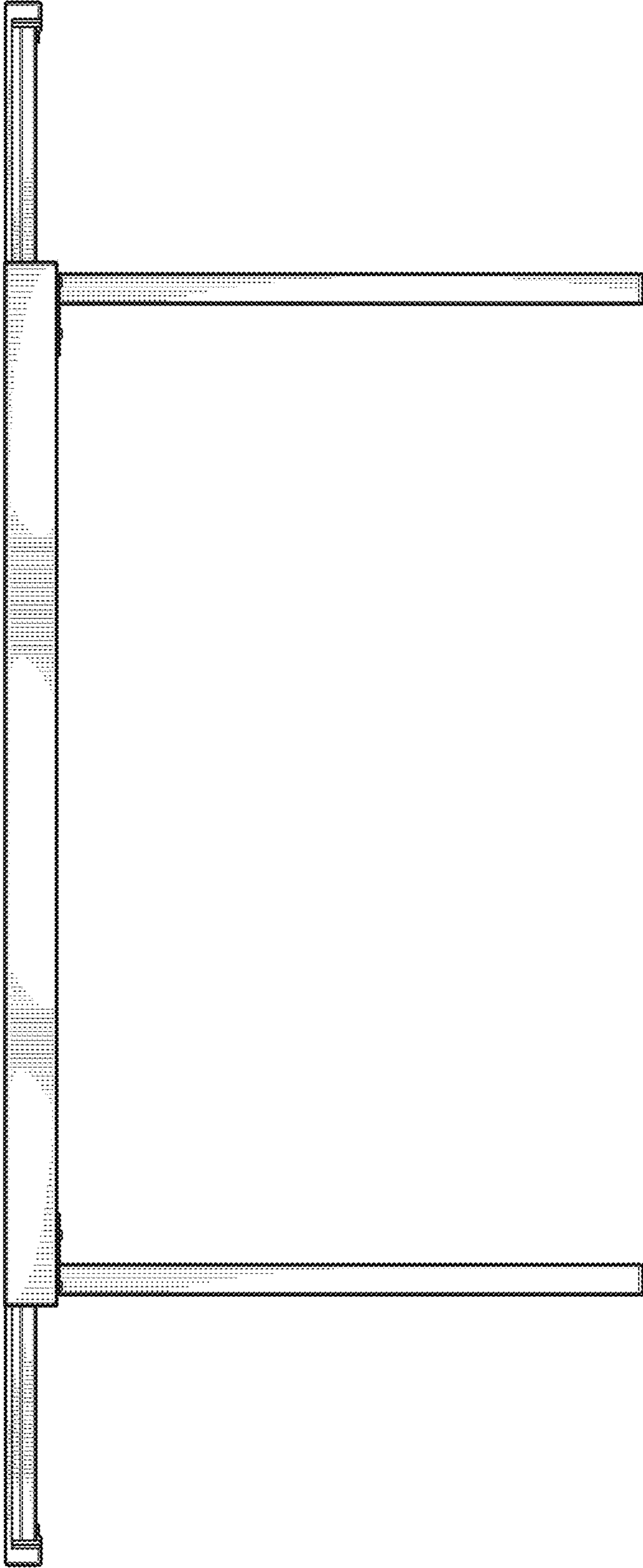


FIG. 2

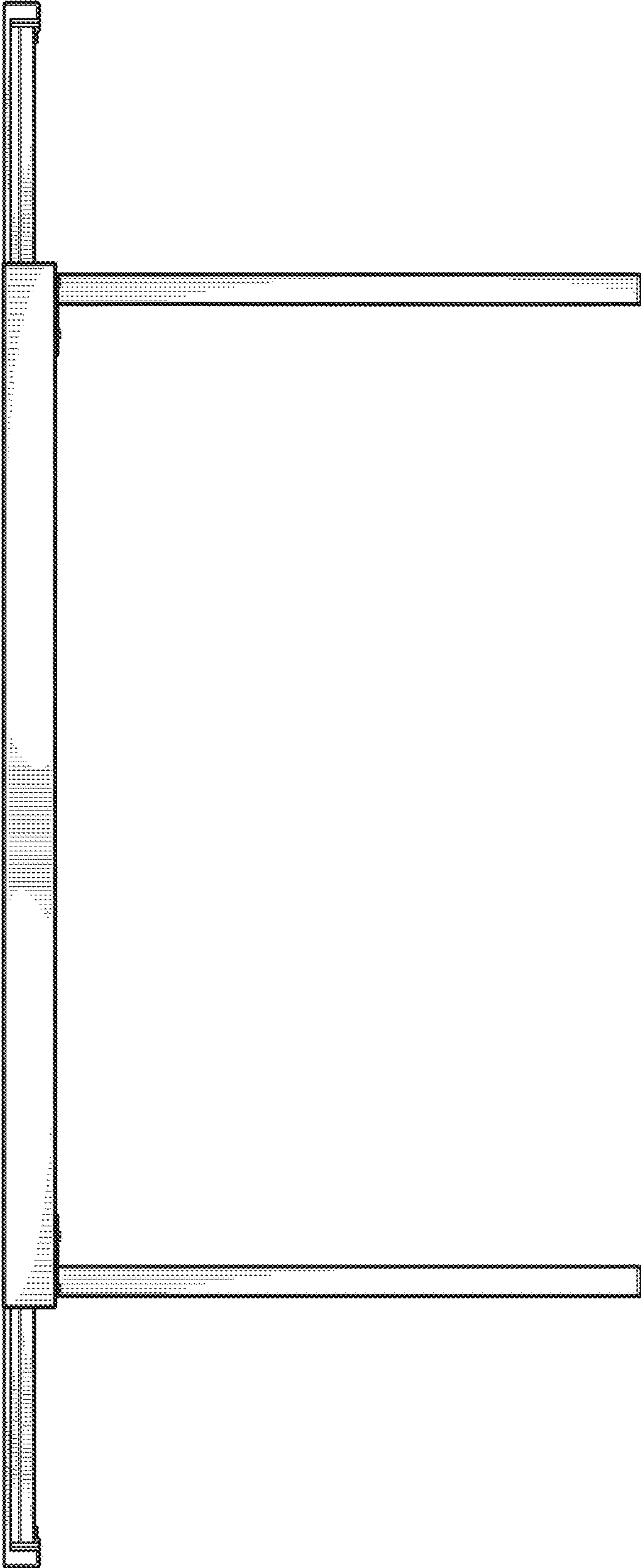


FIG. 3

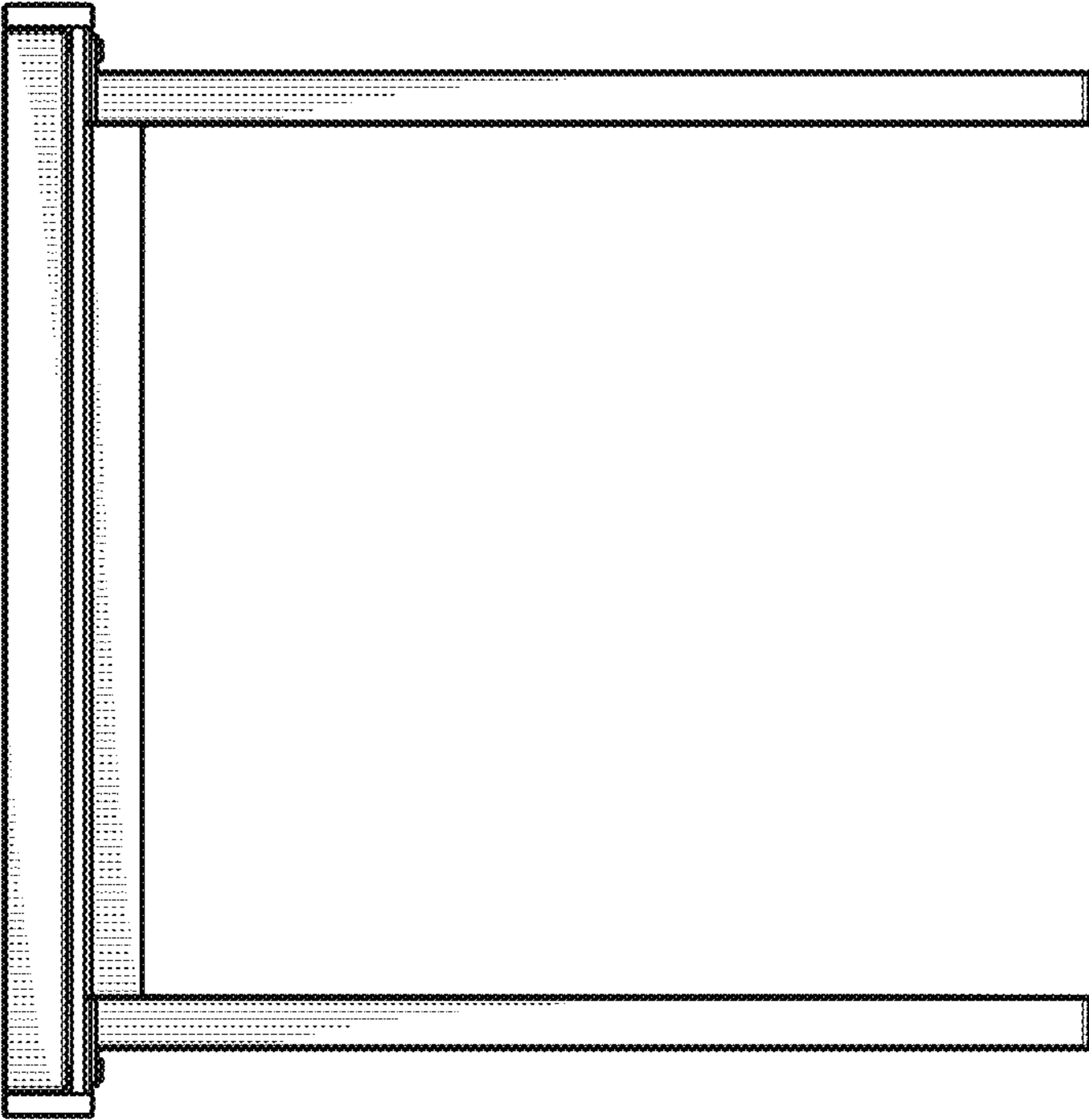


FIG. 4

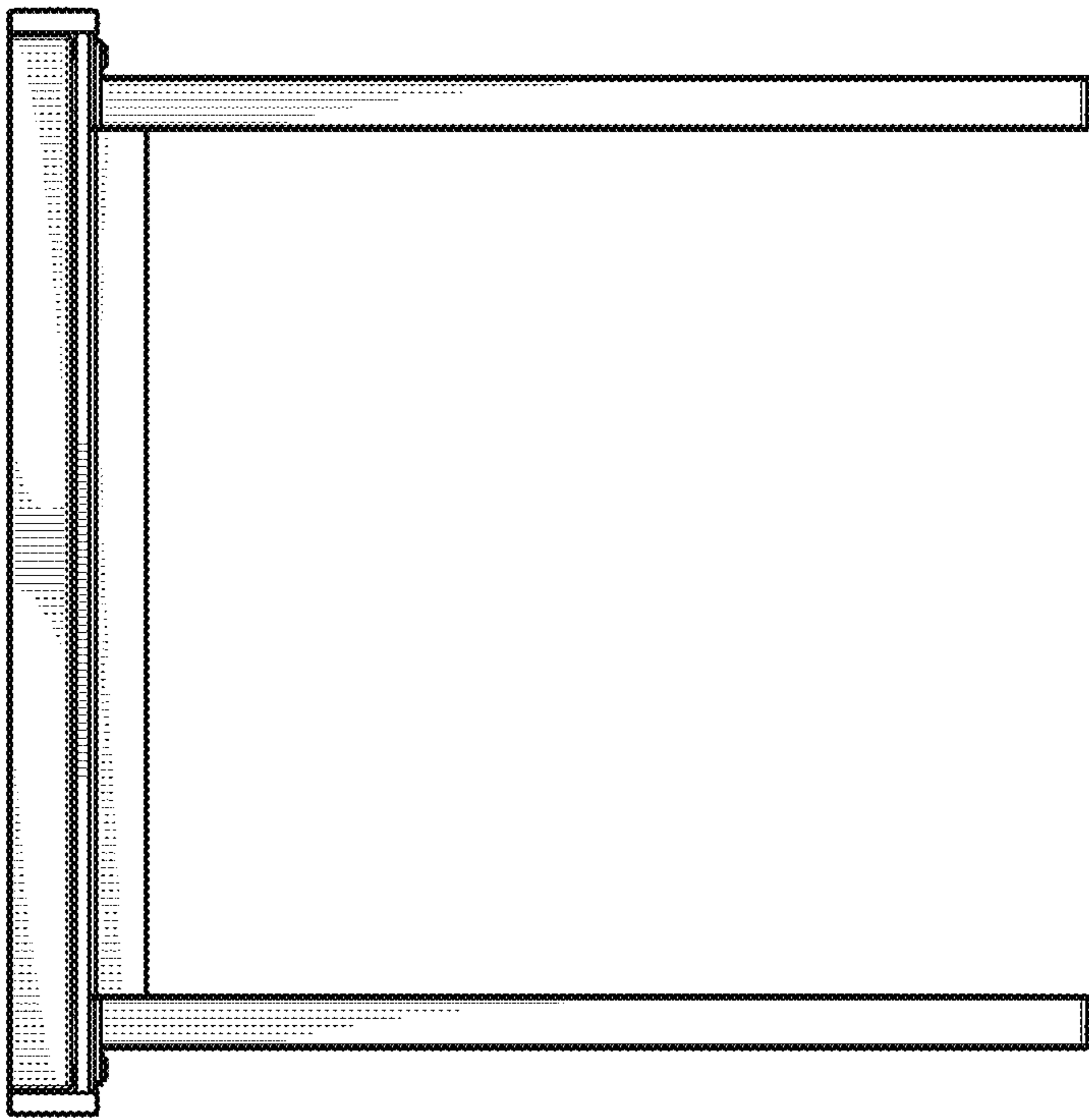


FIG. 5

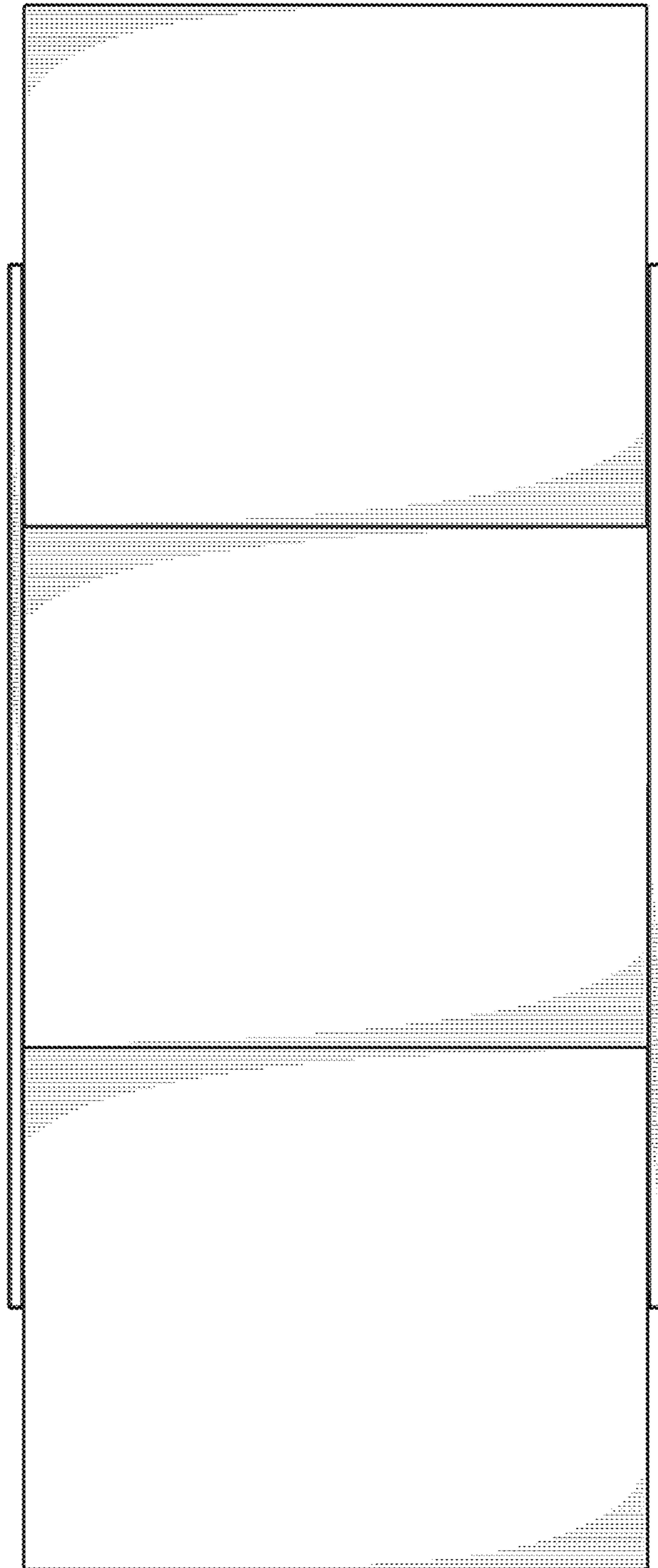


FIG. 6

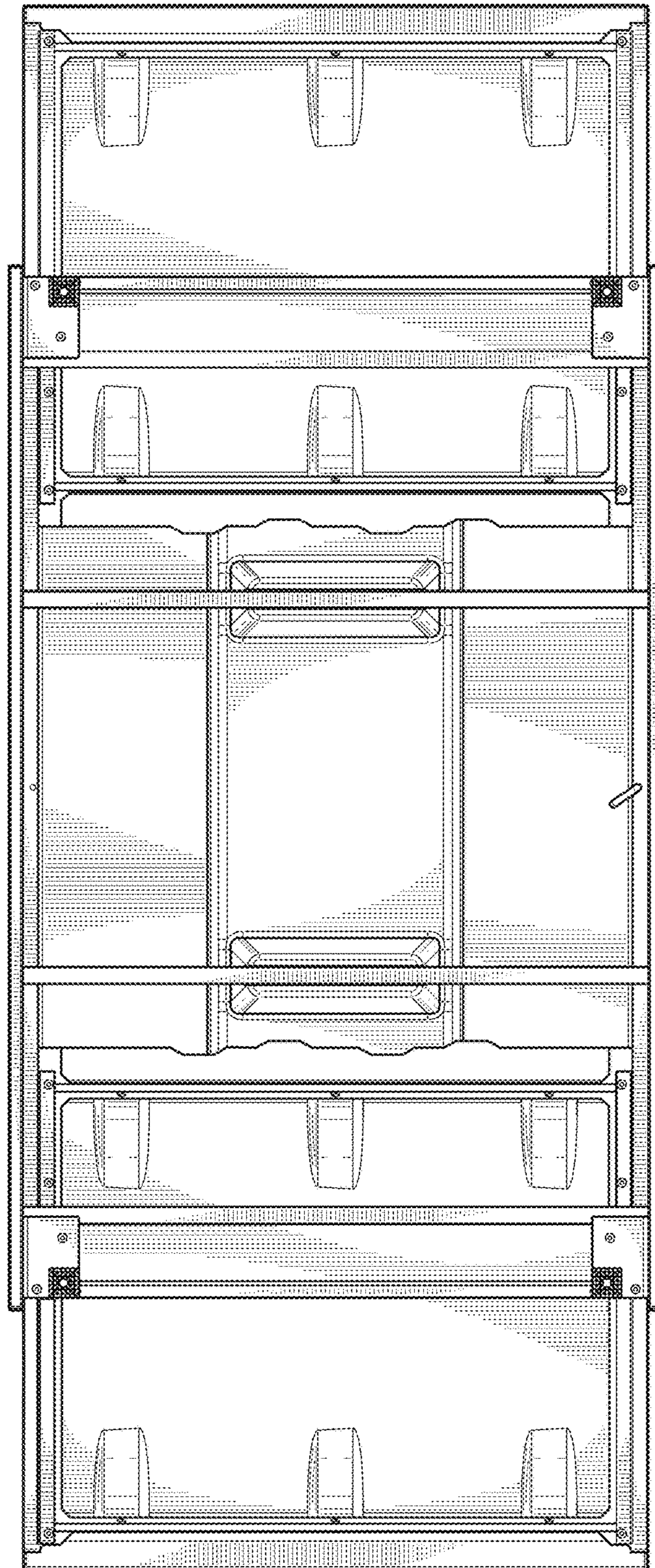


FIG. 7

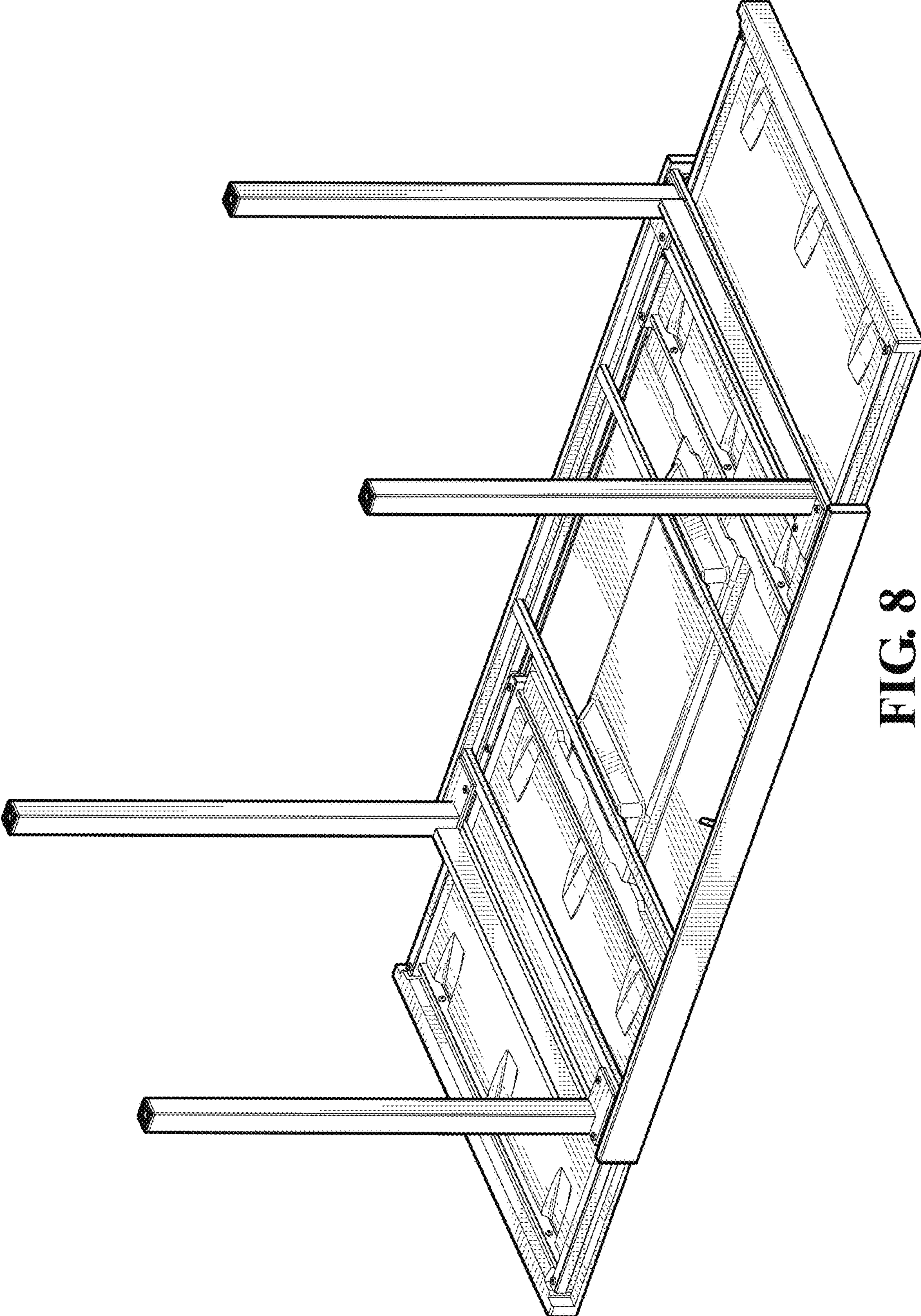


FIG. 8