



US00D772622S

(12) **United States Design Patent** (10) **Patent No.:** **US D772,622 S**
Young et al. (45) **Date of Patent:** **** Nov. 29, 2016**

(54) **TABLE**
(71) Applicant: **Steelcase Inc.**, Grand Rapids, MI (US)
(72) Inventors: **Michael Young**, Happy Valley (HK);
John Hamilton, San Rafael, CA (US);
Benjamin McCarthy, Hong Kong (HK)
(73) Assignee: **Steelcase Inc.**, Grand Rapids, MI (US)
(**) Term: **14 Years**

D354,411 S 1/1995 Berkowitz et al.
D358,078 S 5/1995 Klein
D361,230 S * 8/1995 Vignelli D6/685
D384,530 S 10/1997 Mezger
D388,312 S 12/1997 Sorkin
D438,410 S 3/2001 Mancini
D452,784 S 1/2002 Lewis
D453,642 S 2/2002 Mascheroni
D470,341 S * 2/2003 Muller D6/691
D497,055 S 10/2004 Sorkin
D504,805 S 5/2005 Sorkin
D532,221 S * 11/2006 Relling D6/691
D533,374 S 12/2006 Trott

(Continued)

(21) Appl. No.: **29/522,574**
(22) Filed: **Mar. 31, 2015**
(51) **LOC (10) Cl.** **06-03**
(52) **U.S. Cl.**
USPC **D6/691; D6/691.7**
(58) **Field of Classification Search**
USPC D6/691.6, 695.8, 696.7, 692, 692.4,
D6/692.5, 707.17, 656.13, 688.14, 662.1,
D6/675, 691, 691.2, 691.7; 108/155, 156,
108/157.1; 248/188, 188.1, 188.8
CPC A47B 7/00; A47B 13/00; A47B 13/10;
A47B 13/02; A47B 13/12; A47B 2012/11;
A47B 2200/0003
See application file for complete search history.

FOREIGN PATENT DOCUMENTS

GB 652211 A 4/1951
GB 766898 A 1/1957

OTHER PUBLICATIONS

PDF Spyder Tables by Phil Frank. Downloaded on Sep. 27, 2016 at
<http://www.outofaces.com/pfd-spyder-table/> (2 pages).

(Continued)

Primary Examiner — Rosemary K Tarcza
Assistant Examiner — James Thorn, Sr.

(57) **CLAIM**
We claim the ornamental design for a table, as shown and described.

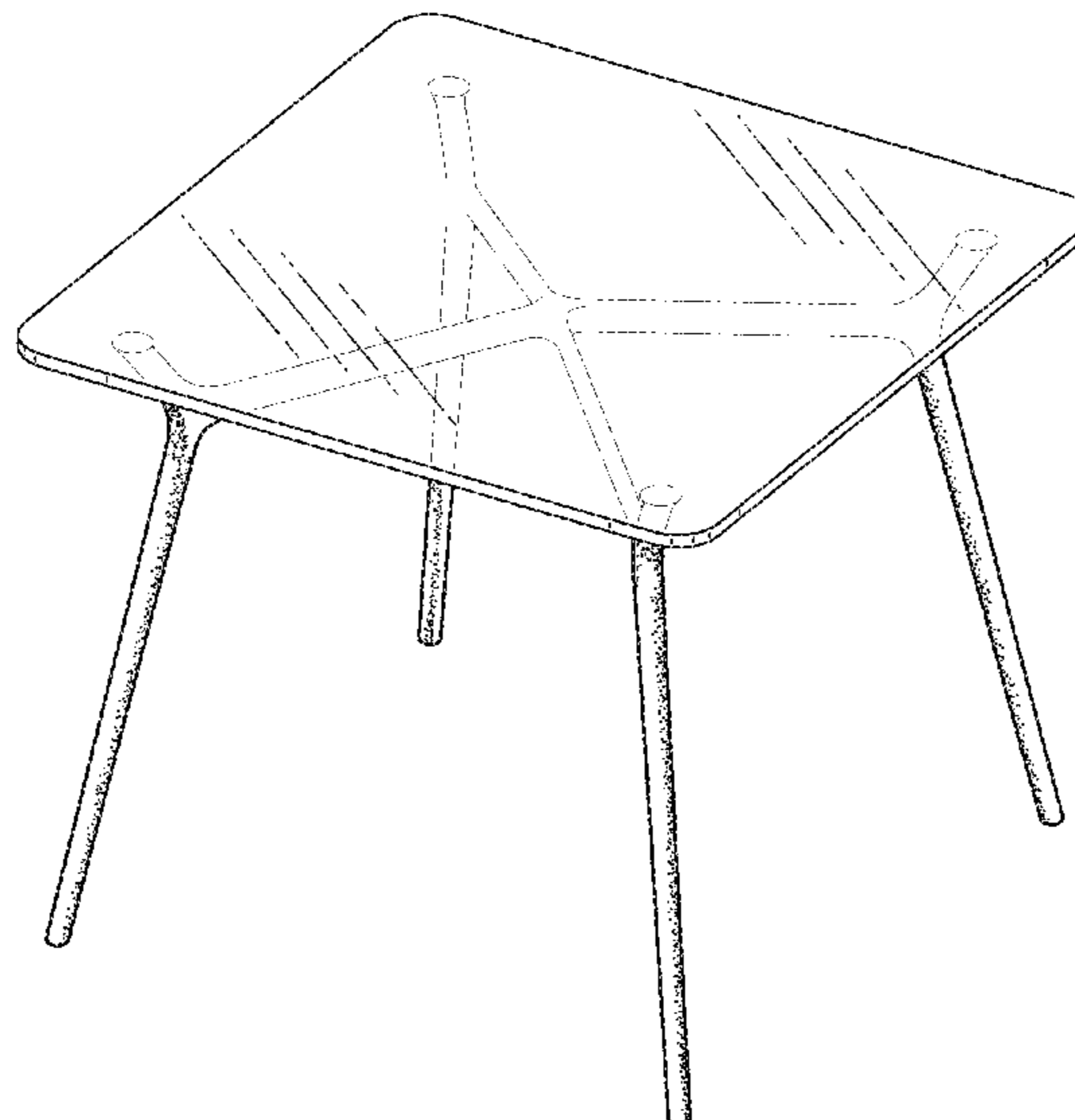
(56) **References Cited**
U.S. PATENT DOCUMENTS

1,067,223 A 7/1913 Kjelsoe
1,652,942 A 12/1927 Edwin
2,010,342 A 8/1935 Woods
2,954,953 A 10/1960 Mallet-Prevost, Jr.
D200,713 S 3/1965 Pearsall
D237,929 S 12/1975 Laylong
D284,918 S 8/1986 McBride
D335,983 S 6/1993 Gutsell
D337,906 S 8/1993 Gutsell

DESCRIPTION

FIG. 1 is a front perspective view of a table;
FIG. 2 is a rear perspective view of a table of FIG. 1;
FIG. 3 is a right side view of a table of FIG. 1, the left side
view is a mirror image of the right side view of FIG. 3;
FIG. 4 is a top view of a table of FIG. 1; and,
FIG. 5 is a bottom view of a table of FIG. 1.

1 Claim, 5 Drawing Sheets



(56)

References Cited

U.S. PATENT DOCUMENTS

D562,036 S 2/2008 Roberts
 D573,373 S * 7/2008 Brooks D6/691
 D575,084 S 8/2008 Jehs et al.
 D578,320 S * 10/2008 Weatherly D6/692
 D588,845 S 3/2009 Lovegrove
 D588,847 S 3/2009 Lovegrove
 D592,892 S * 5/2009 Sexton D6/691
 D599,142 S 9/2009 Lovegrove
 D600,476 S 9/2009 Stoller
 D652,656 S 1/2012 McCurry
 D653,060 S 1/2012 McCurry
 D668,084 S 10/2012 Lehman-Smith
 D672,984 S * 12/2012 Lade D6/691.2
 8,418,982 B1 * 4/2013 Vatus A47B 13/02
 108/158.12
 D683,556 S 6/2013 Stromborg
 D685,595 S * 7/2013 Hendrick D6/691
 D693,613 S 11/2013 Polidoros
 D703,473 S 4/2014 Polidoros
 D729,557 S * 5/2015 Jiang D6/691

D742,148 S * 11/2015 Fritz D6/696.7
 2003/0121459 A1 * 7/2003 Lou-Hao A47B 3/091
 108/129
 2007/0006781 A1 * 1/2007 Xiang A47B 13/12
 108/27
 2011/0303124 A1 * 12/2011 Tseng A47B 37/04
 108/23
 2012/0193503 A1 * 8/2012 Pike A47B 91/16
 248/560
 2015/0083870 A1 * 3/2015 Steelman F16B 12/44
 248/121

OTHER PUBLICATIONS

Ferrari, Porsche Design, Phil Frank, and More—Premiere Collec-
 tion. Downloaded on Sep. 27, 2016 at <http://www.superstreetonline.com/how-to/aftermarket-parts/epcp-1105-ferrari-porsche-design-phil-frank-premiere-collection/> (4 pages).
 PDF Carbon Fiber Spyder Tables, Downloaded on Sep. 27, 2016 at <http://phil-frank.com/pfd-carbon-fiber-spyder-tables> (5 pages).

* cited by examiner

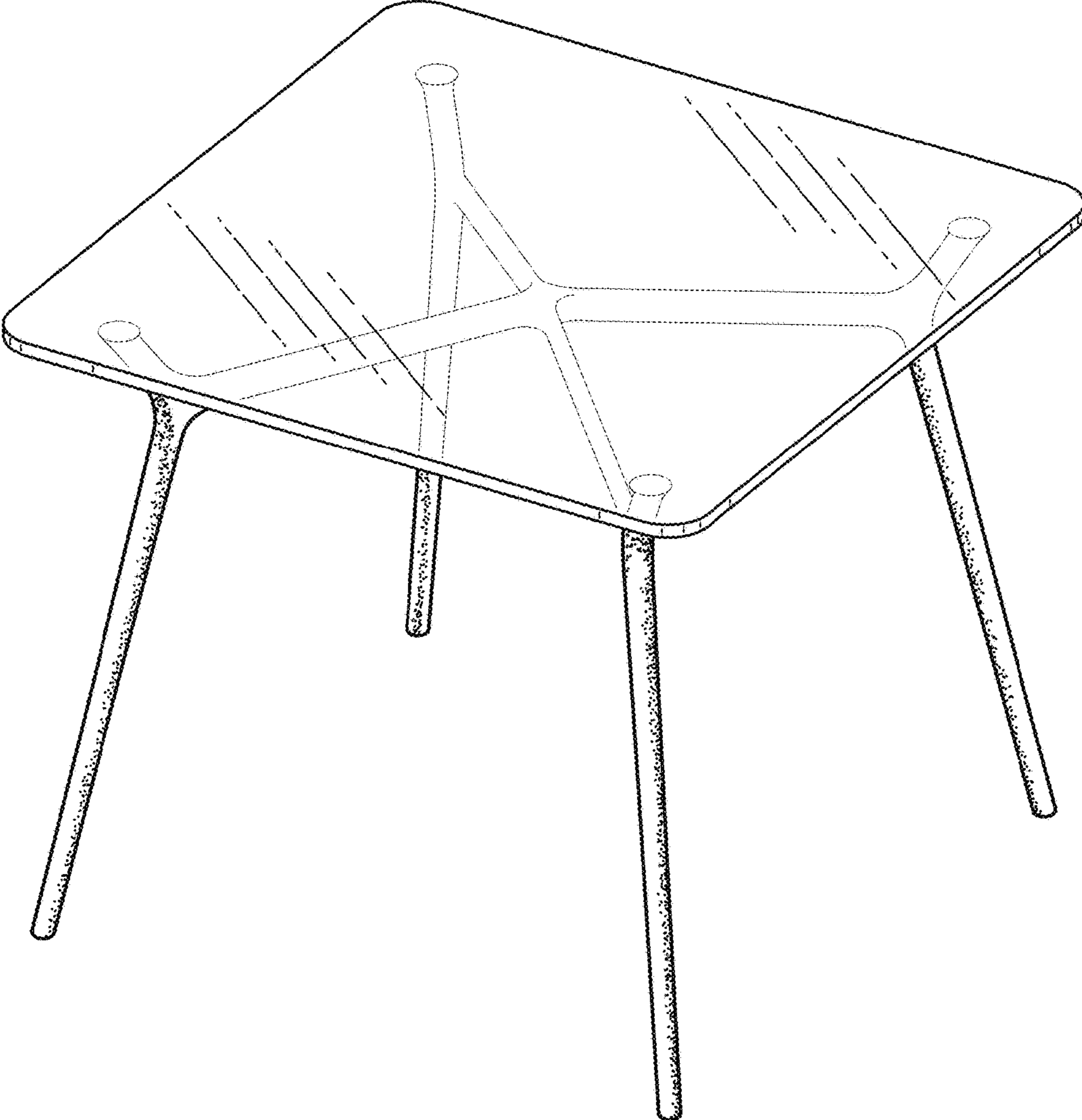


FIG. 1

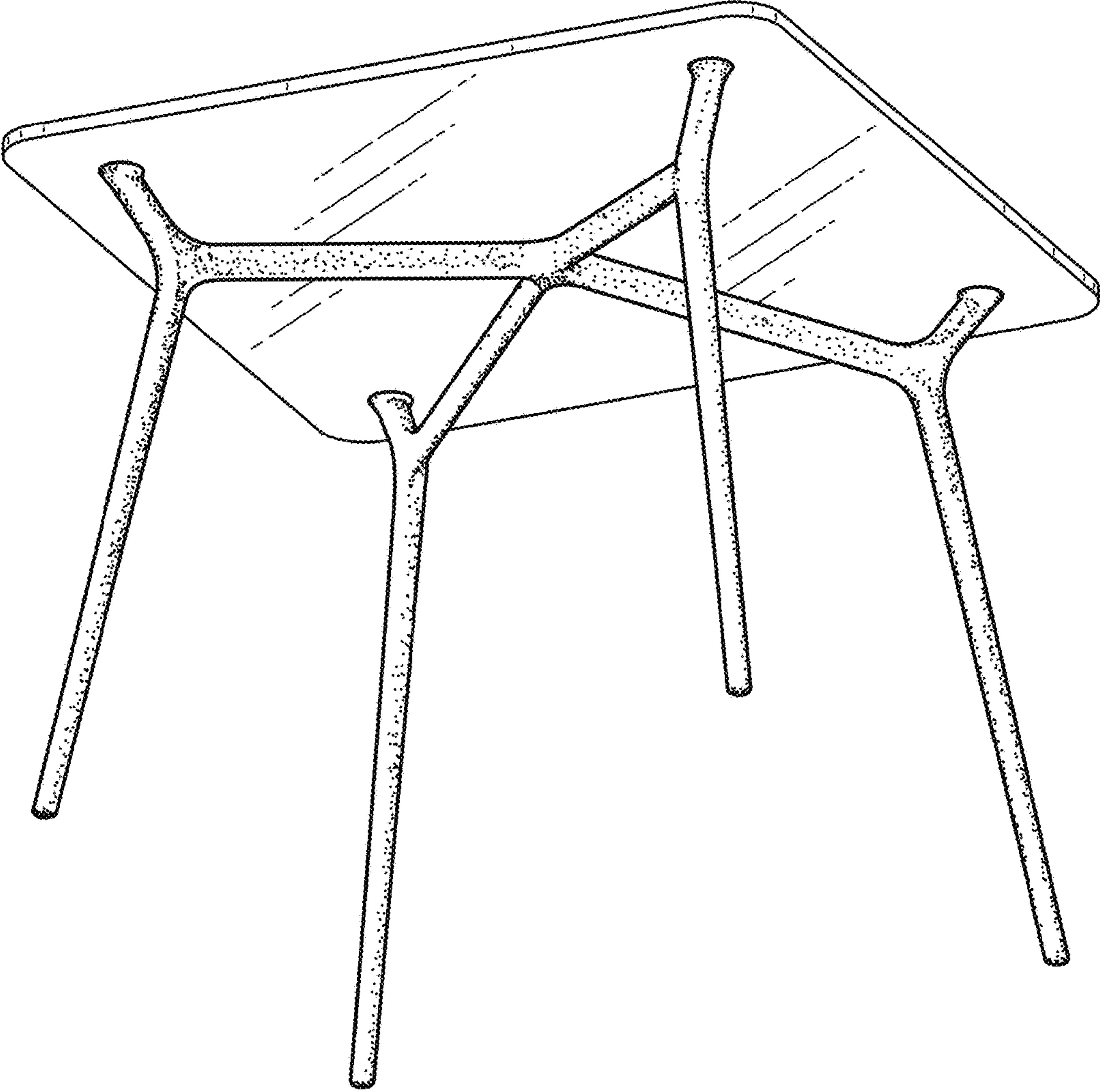


FIG. 2

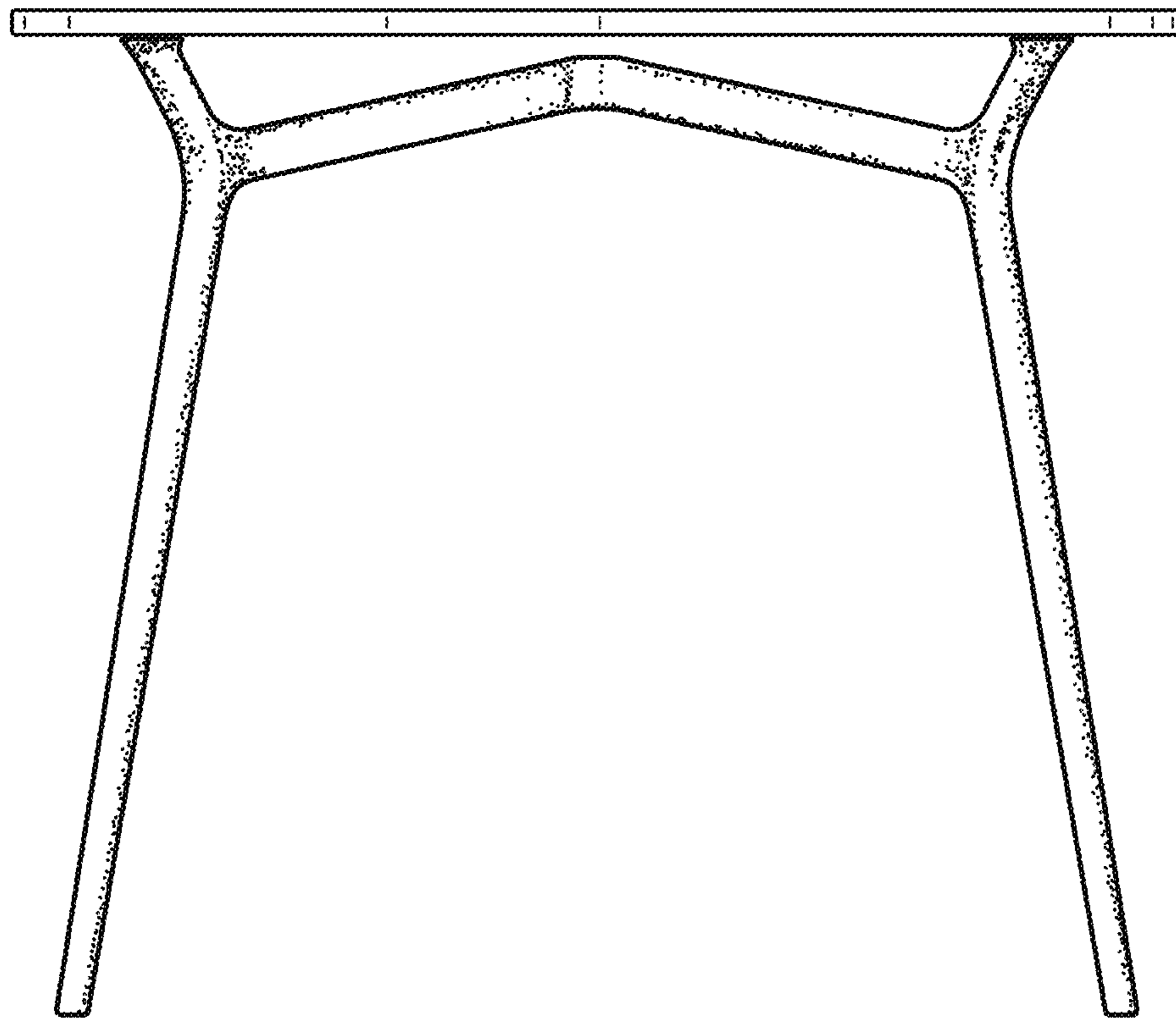


FIG. 3

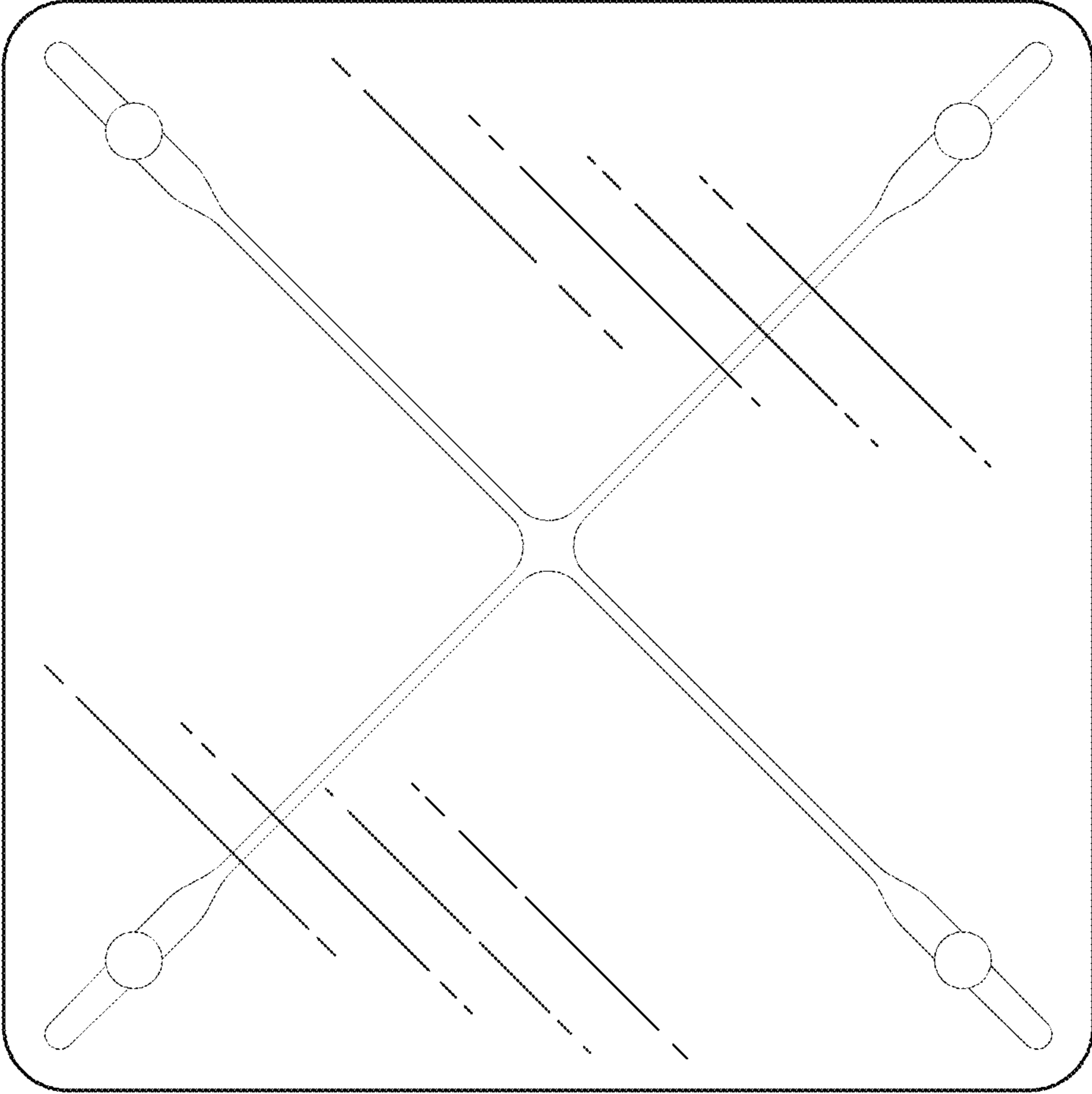


FIG. 4

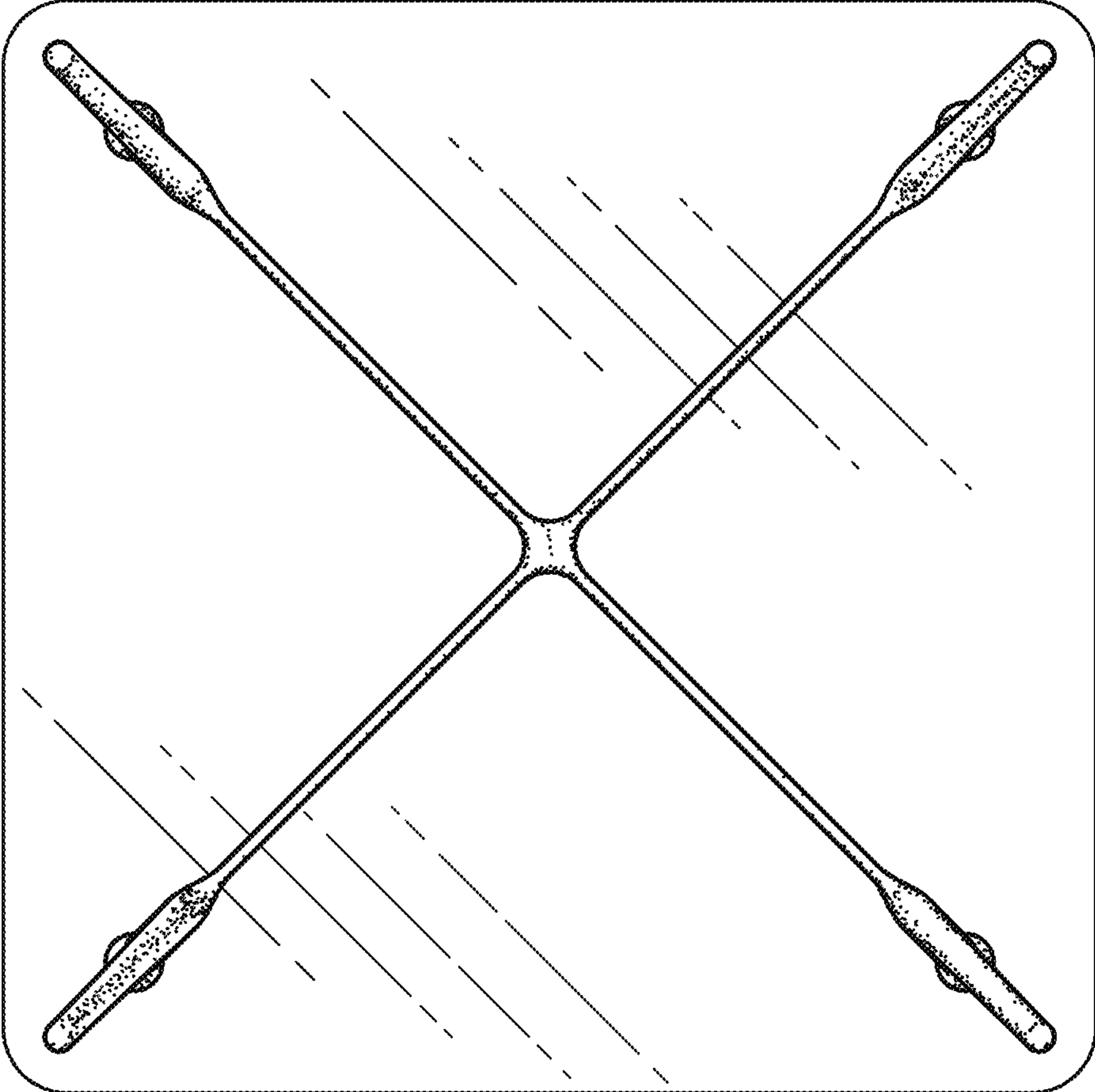


FIG. 5