



US00D772615S

(12) **United States Design Patent** (10) **Patent No.:** **US D772,615 S**
Pinna et al. (45) **Date of Patent:** **** Nov. 29, 2016**

(54) **SALES DISPLAY STAND**

- (71) Applicant: **PIAGGIO & C. S.p.A.**, Pontedera (Pisa) (IT)
- (72) Inventors: **Daniele Pinna**, Pontedera (IT); **Davide Zanolini**, Pontedera (IT)
- (73) Assignee: **PIAGGIO & C. S.p.A.**, Pontedera (Pisa) (IT)
- (**) Term: **14 Years**
- (21) Appl. No.: **29/511,362**
- (22) Filed: **Dec. 10, 2014**

(30) **Foreign Application Priority Data**

- Jun. 11, 2014 (EM) 002480095
- (51) **LOC (10) Cl.** **06-04**
- (52) **U.S. Cl.**
USPC **D6/671**
- (58) **Field of Classification Search**
USPC D6/657, 663, 664, 667, 671, 671.1, D6/671.2, 675, 691, 661; D3/297
CPC A47B 17/04; A47B 47/03; A47B 67/00; A47B 88/00; A47B 88/04; A47F 5/00
See application file for complete search history.

(56) **References Cited**

U.S. PATENT DOCUMENTS

D35,675 S *	2/1902	Robin	D6/661
D264,162 S *	5/1982	Azzalin	D6/691
D277,816 S *	3/1985	Kleinert	D3/297
D288,877 S *	3/1987	Koopman	D6/671.1
D719,768 S *	12/2014	Haygood	D6/671.1

* cited by examiner

Primary Examiner — Mimosa De

(74) *Attorney, Agent, or Firm* — Thomas | Horstemeyer, LLP

(57) **CLAIM**

The ornamental design for a sales display stand, as shown and described.

DESCRIPTION

FIG. 1 is a right front perspective view of our new sales display stand;

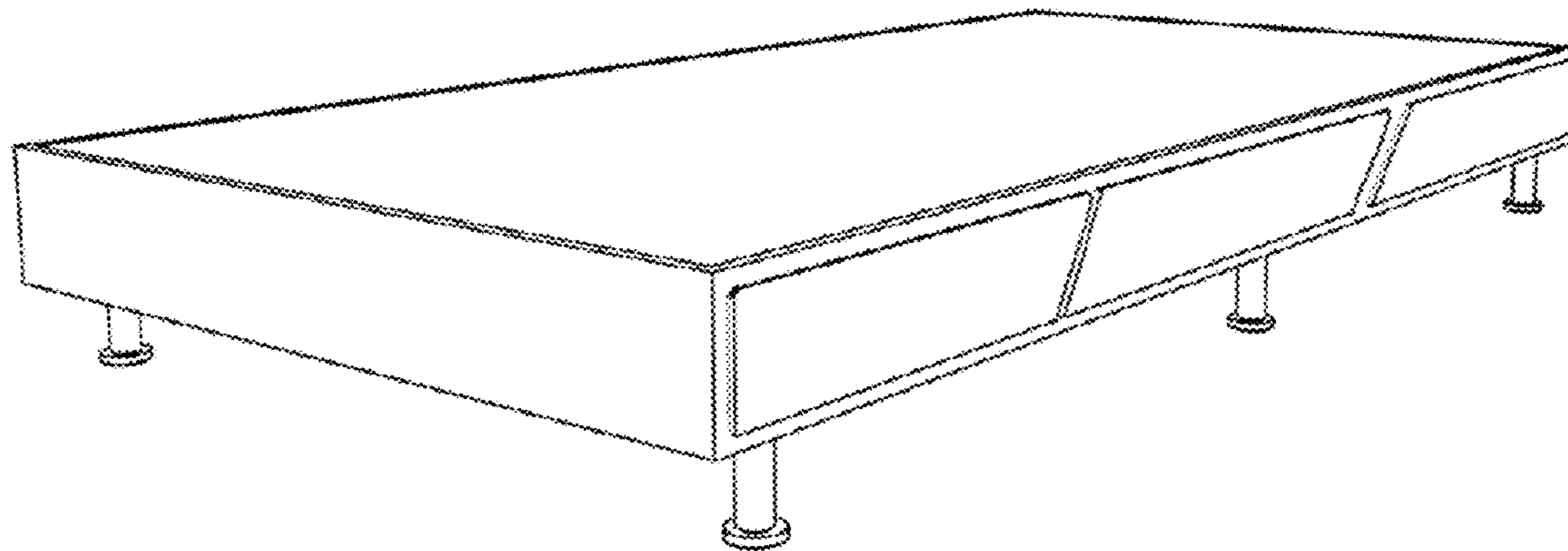
FIG. 2 is a left front perspective view of our new sales display stand of FIG. 1;

FIG. 3 is a side elevational view of our new sales display stand of FIG. 1;

FIG. 4 is a side elevational view of our new sales display stand from a side opposite that of FIG. 3; and,

FIG. 5 is an end view of our new sales display stand of FIG. 1, the opposite end being a mirror image thereof.

1 Claim, 3 Drawing Sheets



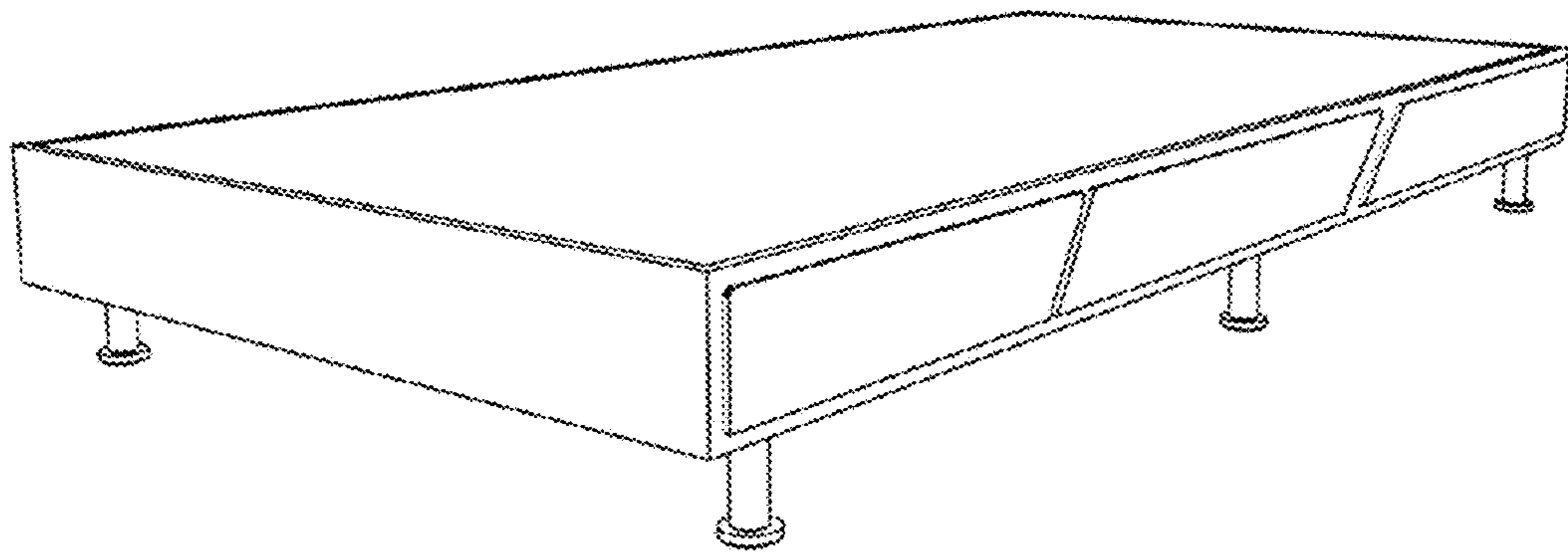


FIG. 1

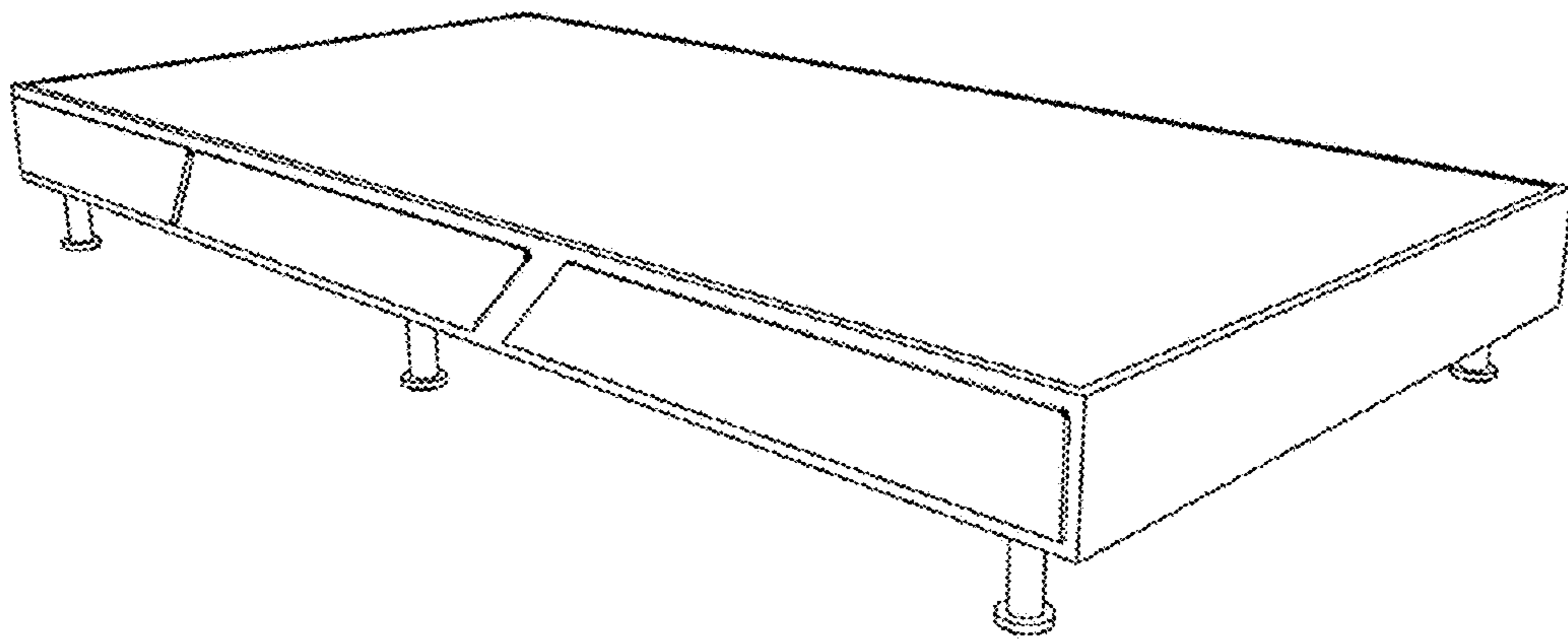


FIG. 2

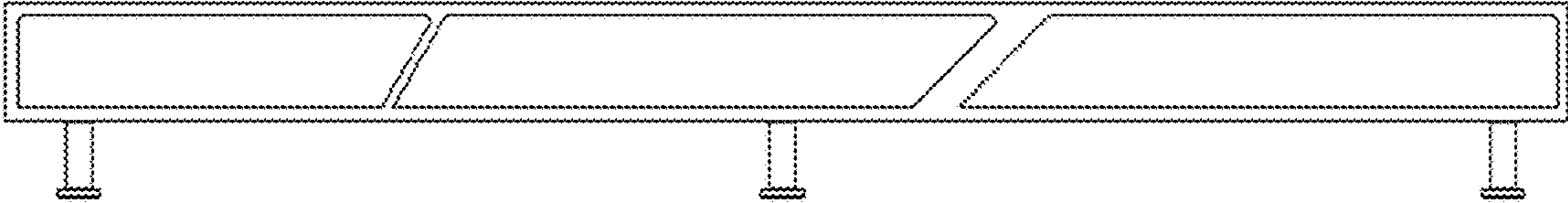


FIG. 3

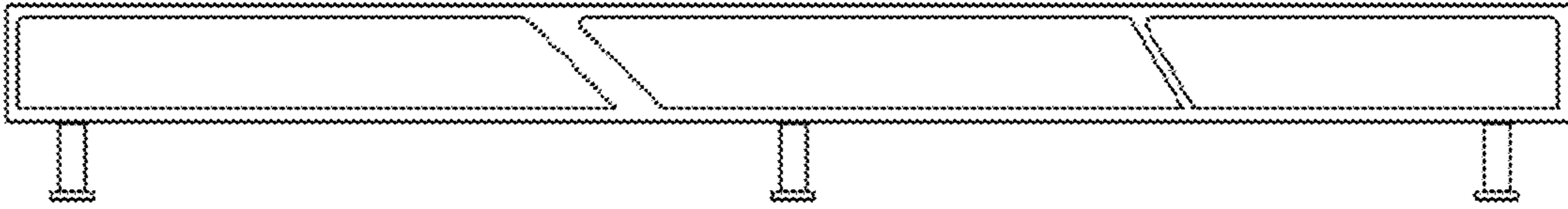


FIG. 4

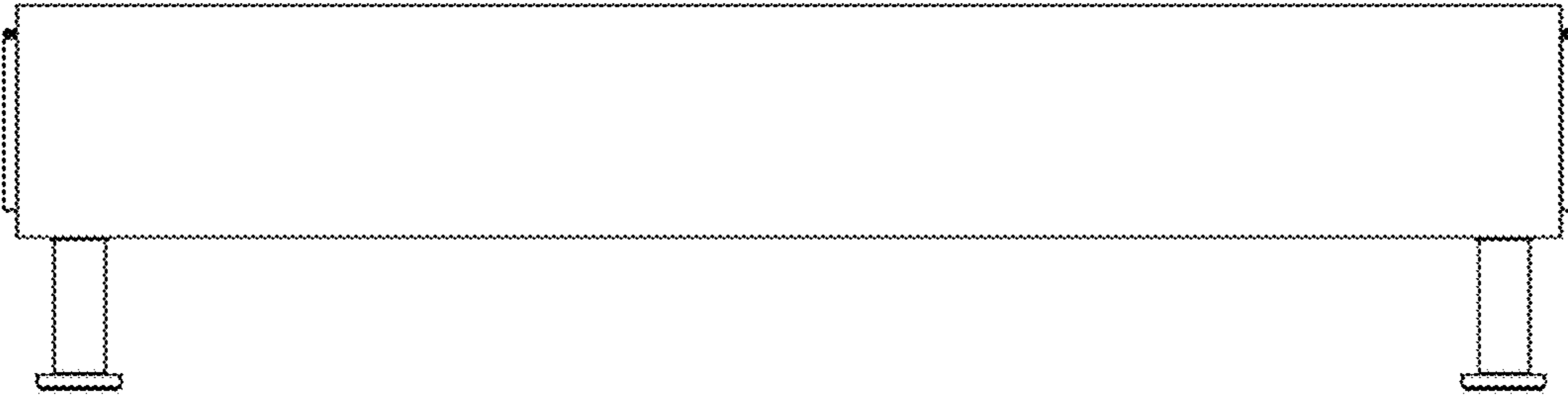


FIG. 5