



US00D772603S

(12) **United States Design Patent**
Adlesich

(10) **Patent No.:** **US D772,603 S**
(45) **Date of Patent:** **** Nov. 29, 2016**

(54) **WALL-MOUNTED ADJUSTABLE BICYCLE HANGER**

- (71) Applicant: **Robert John Adlesich**, Cornelius, OR (US)
- (72) Inventor: **Robert John Adlesich**, Cornelius, OR (US)
- (**) Term: **15 Years**
- (21) Appl. No.: **29/536,424**
- (22) Filed: **Aug. 17, 2015**
- (51) **LOC (10) Cl.** **08-10**
- (52) **U.S. Cl.**
USPC **D6/552**
- (58) **Field of Classification Search**
USPC D6/552, 512, 553, 566, 567; D8/349, D8/355, 371; D12/223; 211/17-20, 13.1, 211/87.01
CPC B62H 3/06; B62H 3/12
See application file for complete search history.

(56) **References Cited**

U.S. PATENT DOCUMENTS

- D343,320 S * 1/1994 Smith D6/552
- 5,984,111 A * 11/1999 Pennella B62H 3/08
211/19
- D617,175 S * 6/2010 Anderson D8/355
- 2002/0060194 A1 * 5/2002 Reiser A63C 11/028
211/4
- 2015/0151802 A1 * 6/2015 Lang B62H 3/06
248/551

* cited by examiner

Primary Examiner — Wan Laymon

Assistant Examiner — Mark Booker

(74) *Attorney, Agent, or Firm* — Dascenzo Intellectual Property Law, P.C.; Ian D. Gates

(57) **CLAIM**

The ornamental design for a wall-mounted adjustable bicycle hanger, as shown and described.

DESCRIPTION

FIG. 1 is a front, top, left isometric view of a first embodiment of the new design, shown in an upper adjustment position.

FIG. 2 is a front, bottom, right isometric view of the first embodiment, shown in a lower adjustment position.

FIG. 3 is a side view of the first embodiment, shown in a middle adjustment position.

FIG. 4 is an opposite side view of the first embodiment, shown in the middle adjustment position.

FIG. 5 is a front view of the first embodiment, shown in the middle adjustment position.

FIG. 6 is a rear view of the first embodiment, shown in the middle adjustment position.

FIG. 7 is a top view of the first embodiment.

FIG. 8 is a bottom view of the first embodiment.

FIG. 9 is a front, top, left isometric view of a second embodiment of the new design, shown in an upper adjustment position.

FIG. 10 is a front, bottom, right isometric view of the second embodiment, shown in a lower adjustment position.

FIG. 11 is a side view of the second embodiment, shown in a middle adjustment position.

FIG. 12 is an opposite side view of the second embodiment, shown in the middle adjustment position.

FIG. 13 is a front view of the second embodiment, shown in the middle adjustment position.

FIG. 14 is a rear view of the second embodiment, shown in the middle adjustment position.

FIG. 15 is a top view of the second embodiment.

FIG. 16 is a bottom view of the second embodiment.

FIG. 17 is a front, top, left isometric view of a third embodiment, shown in an upper adjustment position.

FIG. 18 is a front, bottom, right isometric view of the third embodiment, shown in a lower adjustment position.

FIG. 19 is a side view of the third embodiment, shown in a middle adjustment position.

FIG. 20 is an opposite side view of the third embodiment, shown in a middle adjustment position.

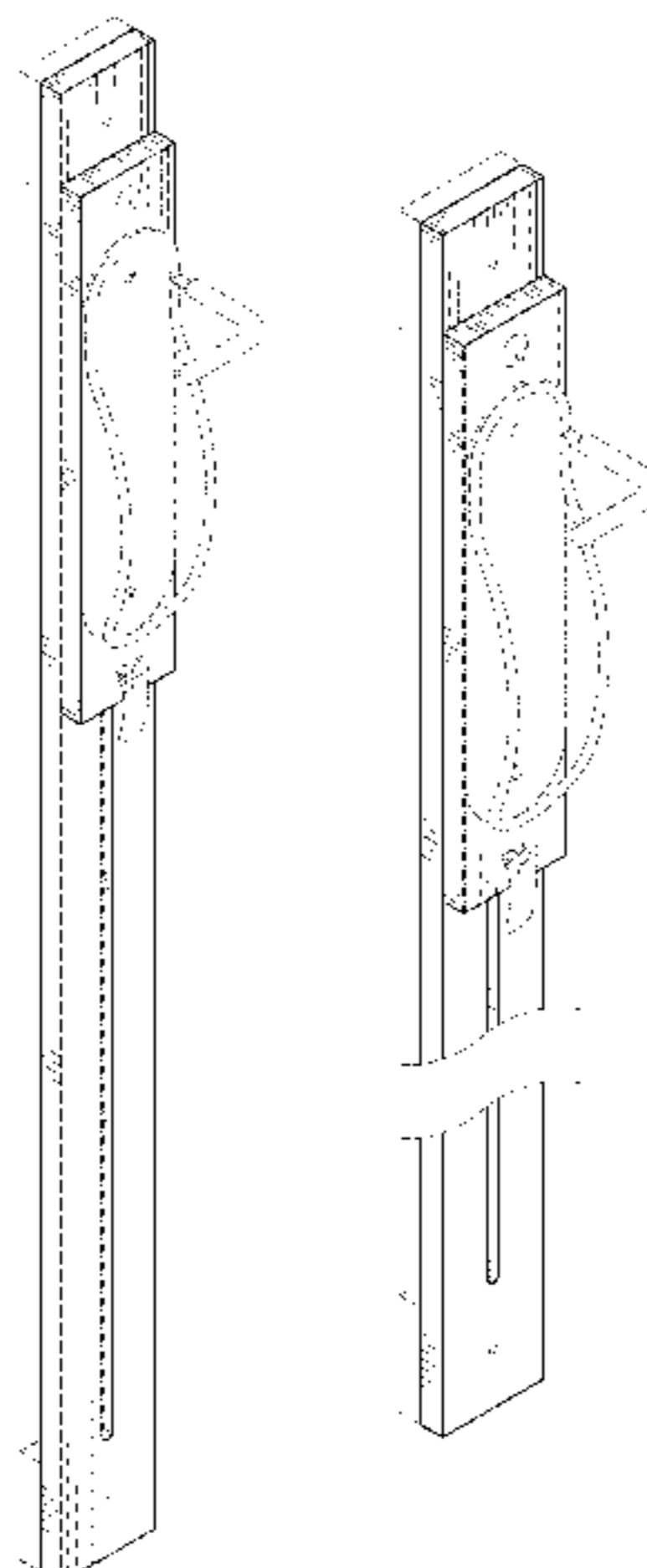
FIG. 21 is a front view of the third embodiment, shown in a middle adjustment position.

FIG. 22 is a rear view of the third embodiment, shown in a middle adjustment position.

FIG. 23 is a top view of the third embodiment; and, FIG. 24 is a bottom view of the third embodiment.

The broken away symbols in the drawings indicate that any portion of the wall-mounted adjustable bicycle hanger beyond what is shown forms no part of the claimed design.

1 Claim, 9 Drawing Sheets



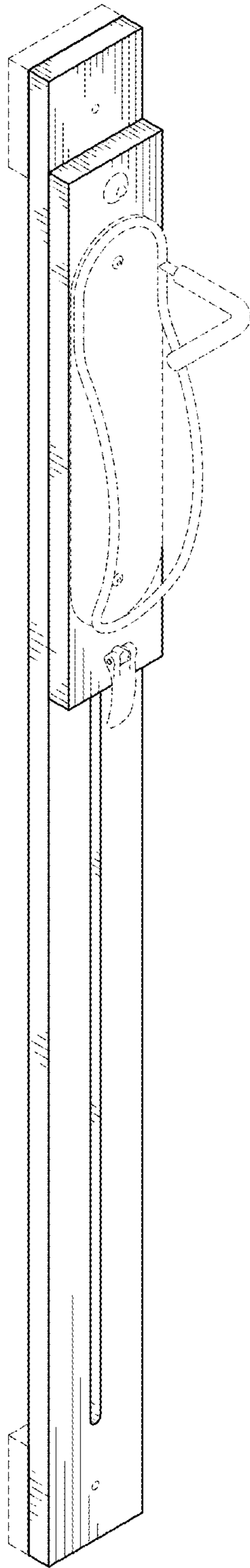


Fig. 1

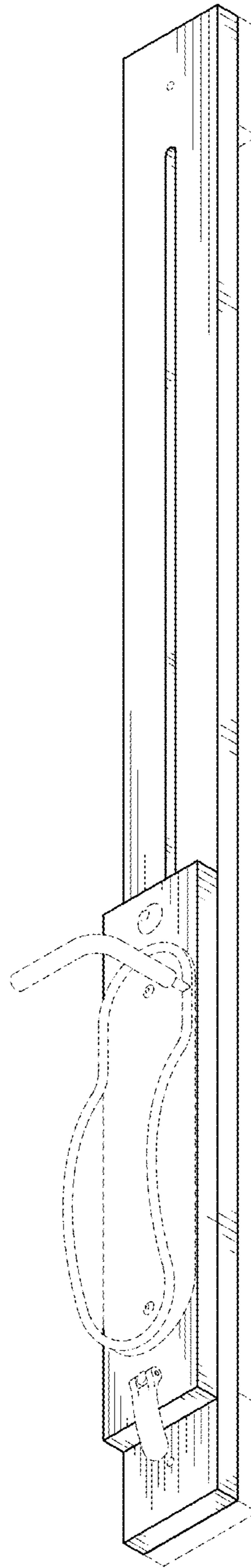


Fig. 2

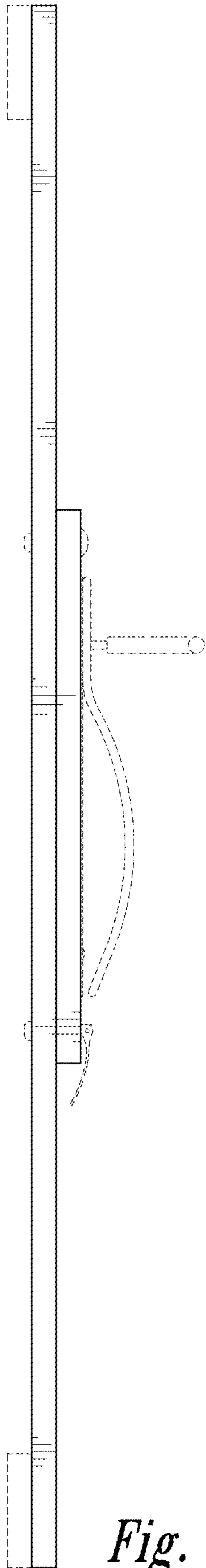


Fig. 3

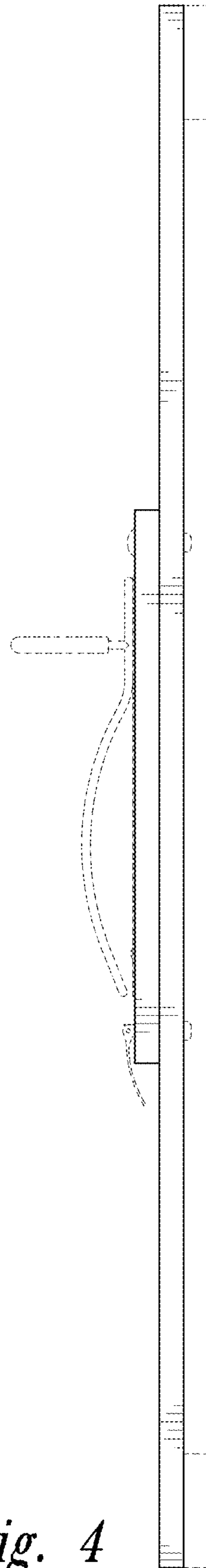


Fig. 4

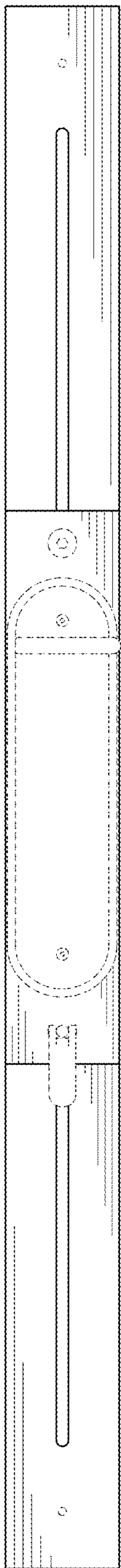


Fig. 5

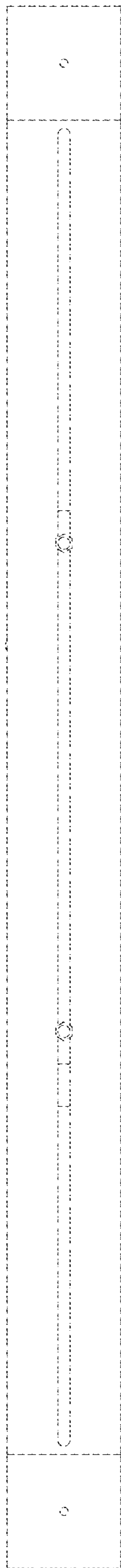


Fig. 6

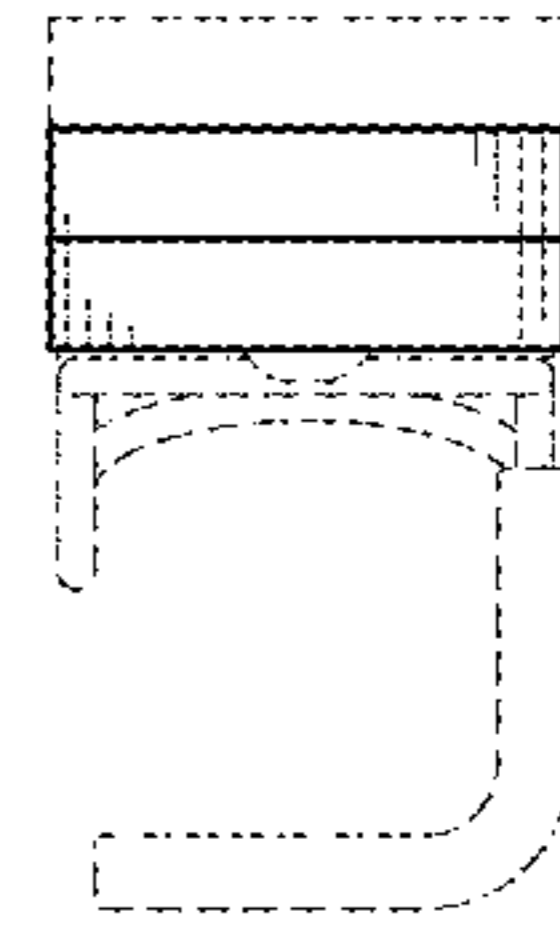


Fig. 7

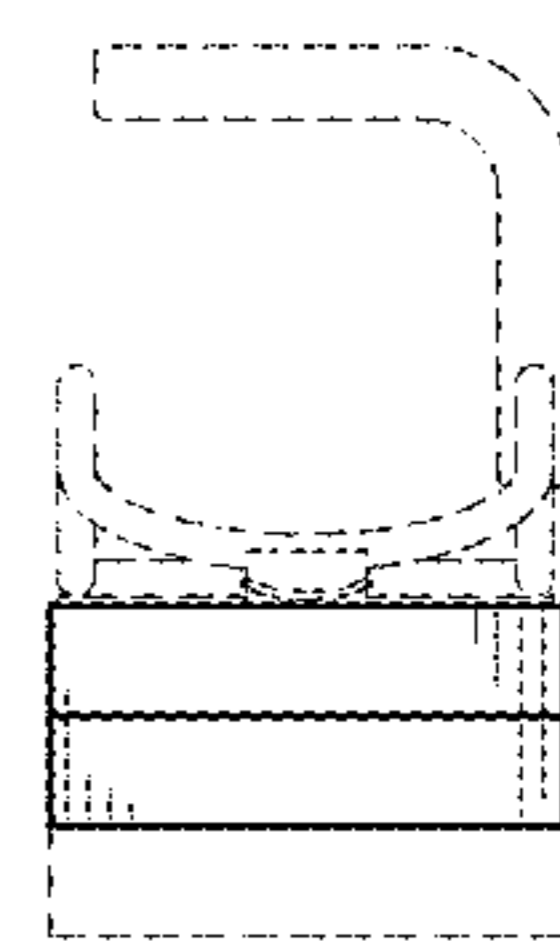


Fig. 8

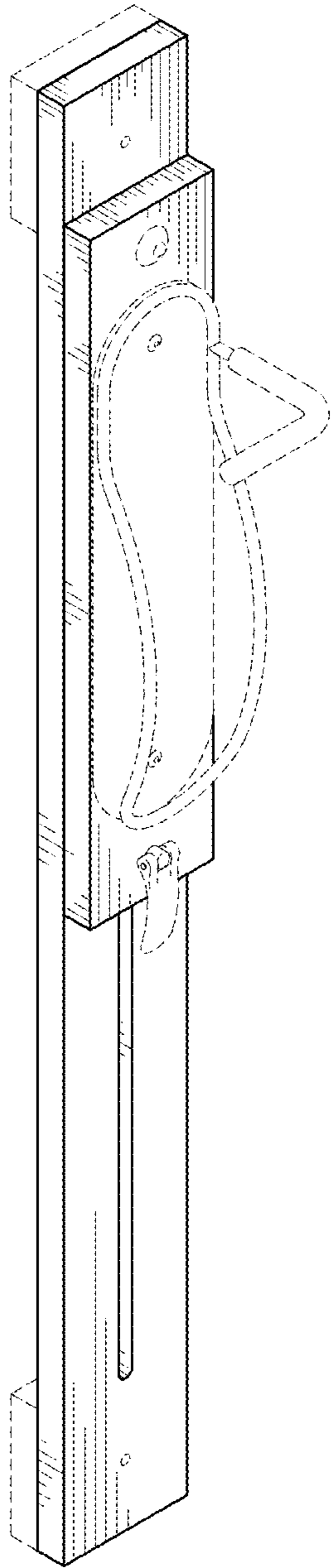


Fig. 9

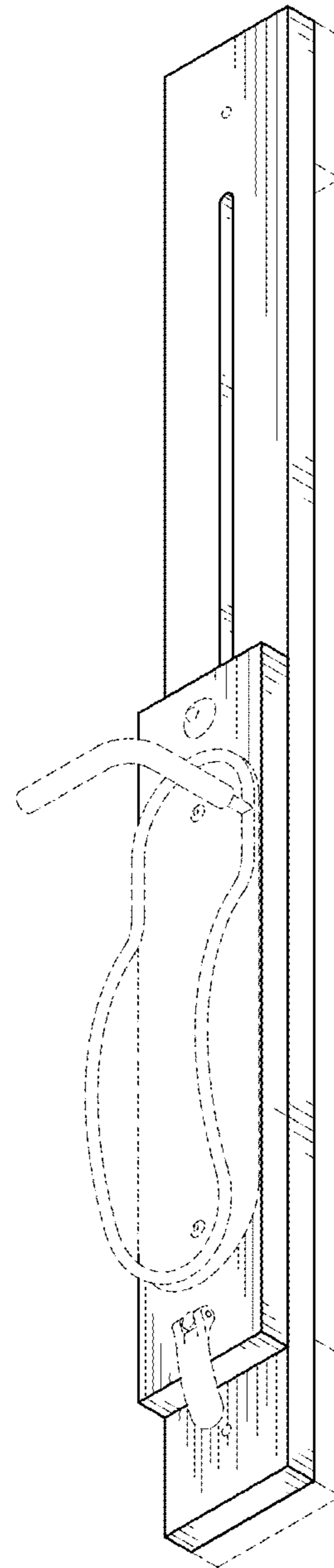


Fig. 10

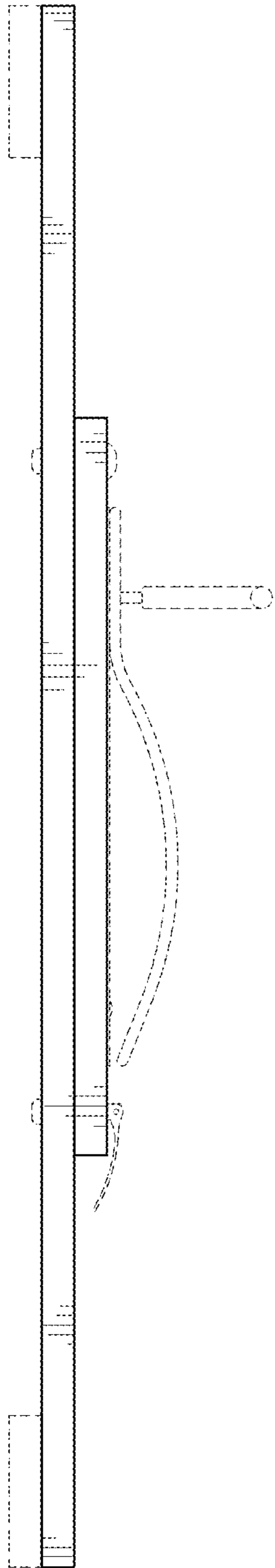


Fig. 11

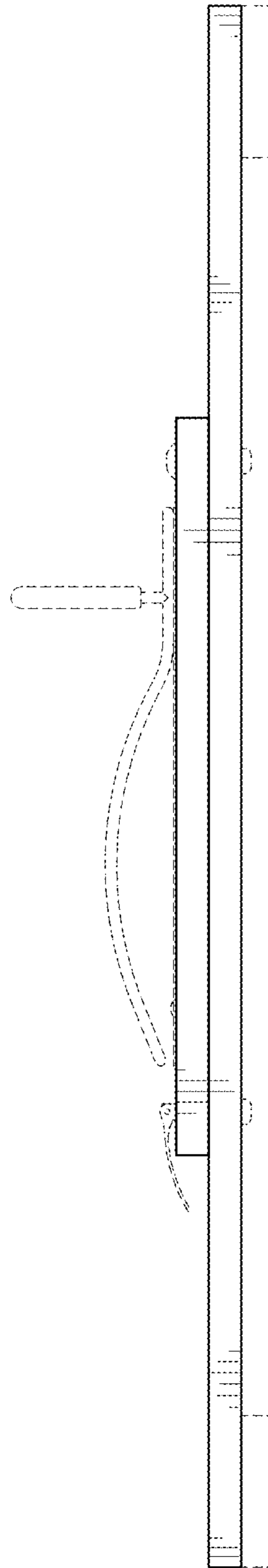


Fig. 12

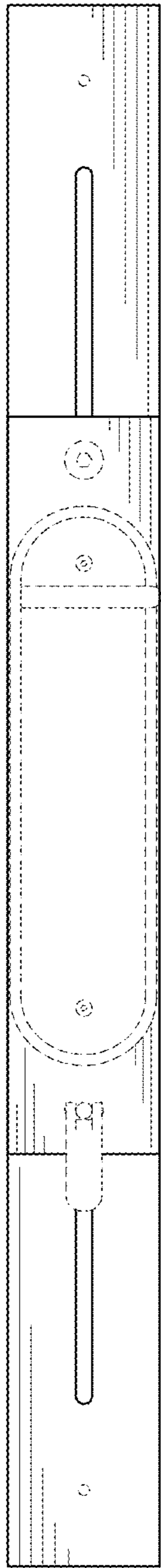


Fig. 13

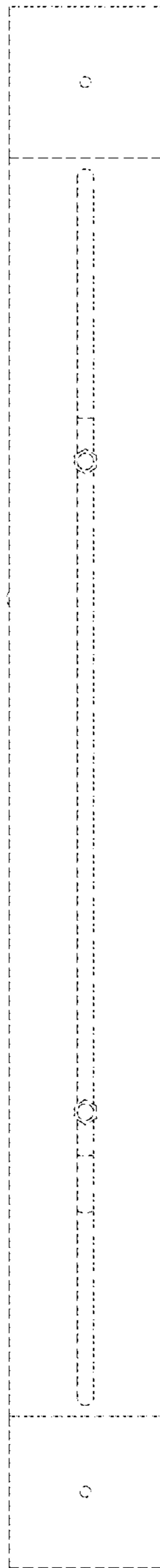


Fig. 14

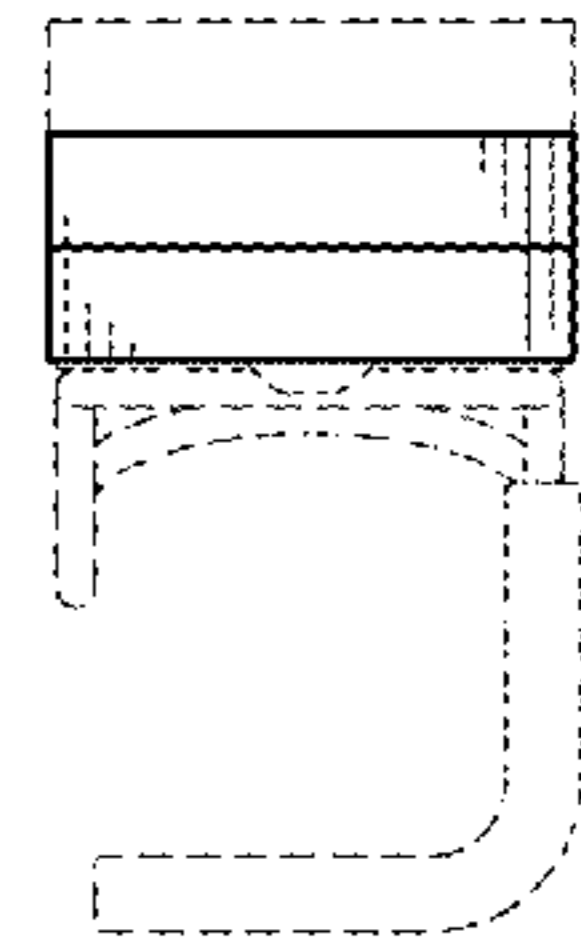


Fig. 15

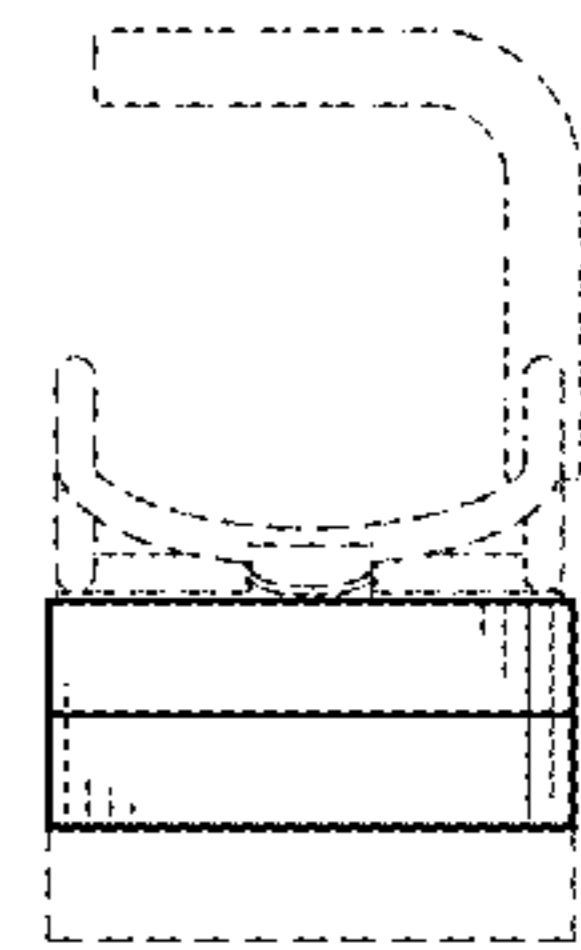


Fig. 16

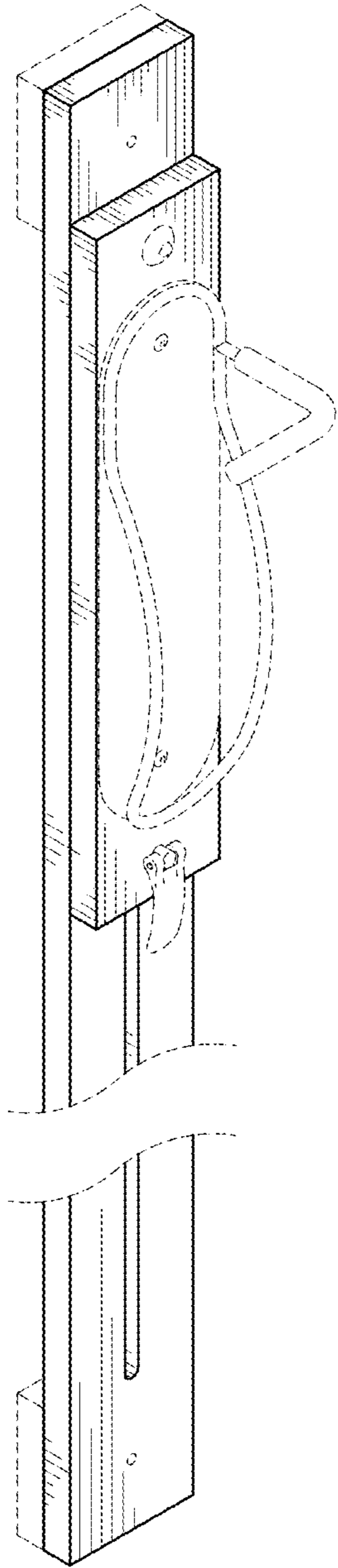


Fig. 17

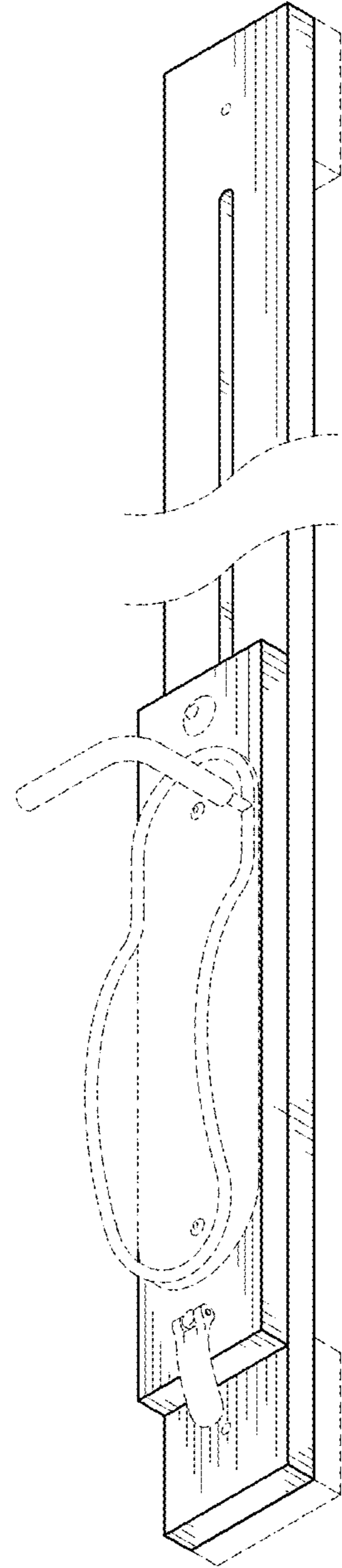


Fig. 18

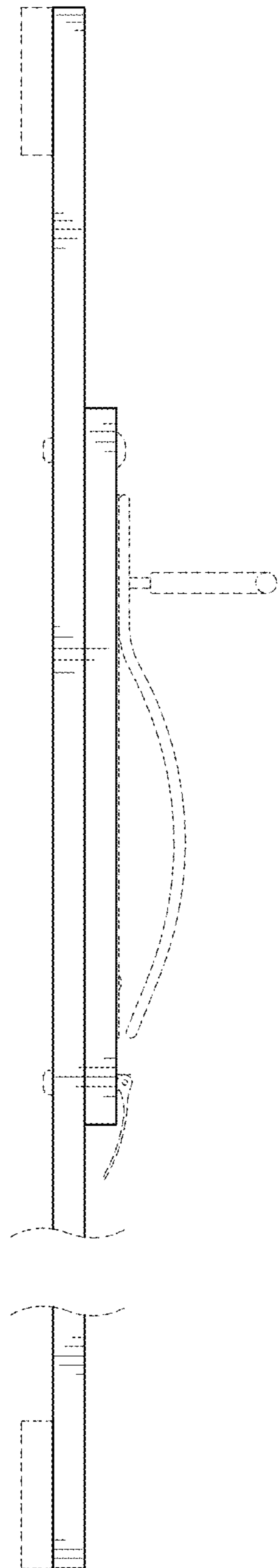


Fig. 19

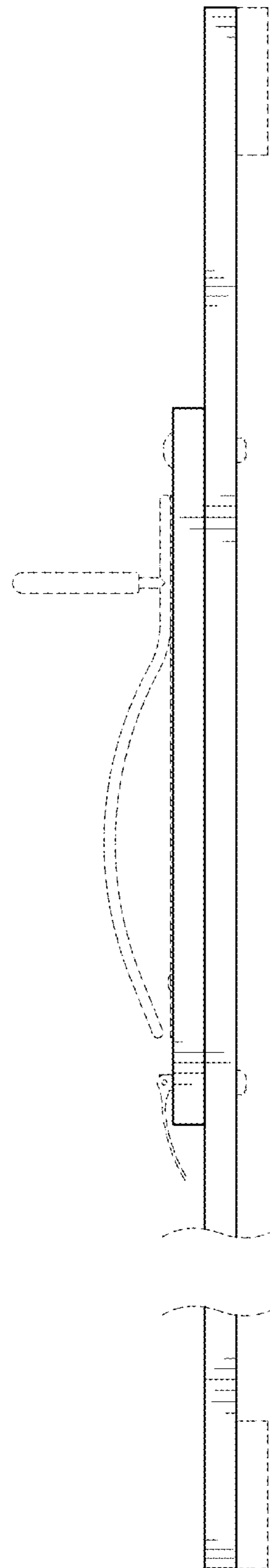


Fig. 20

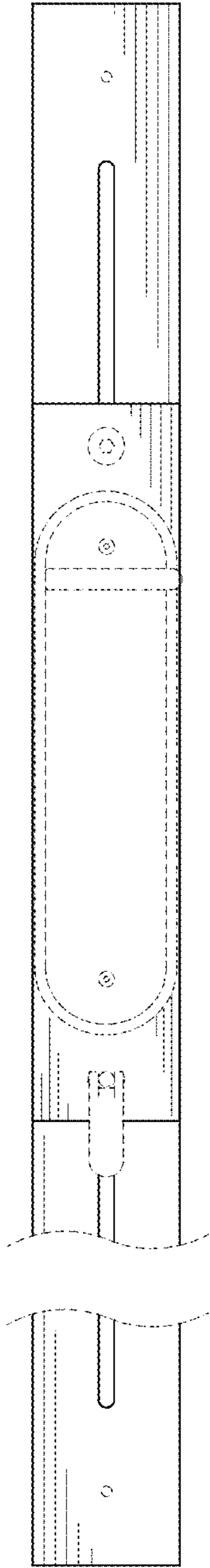


Fig. 21

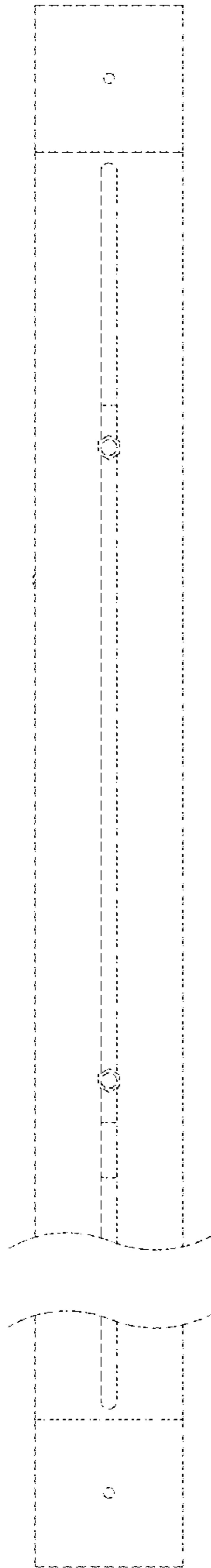


Fig. 22

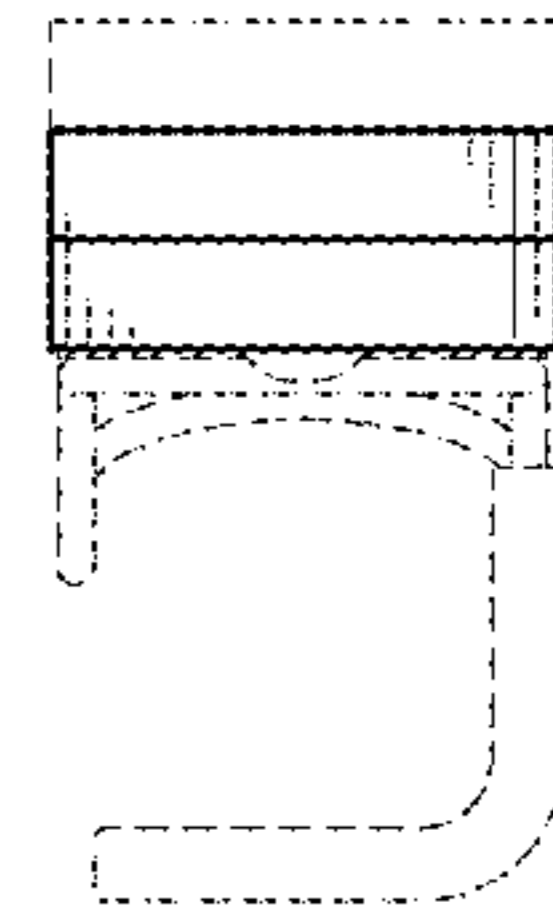


Fig. 23

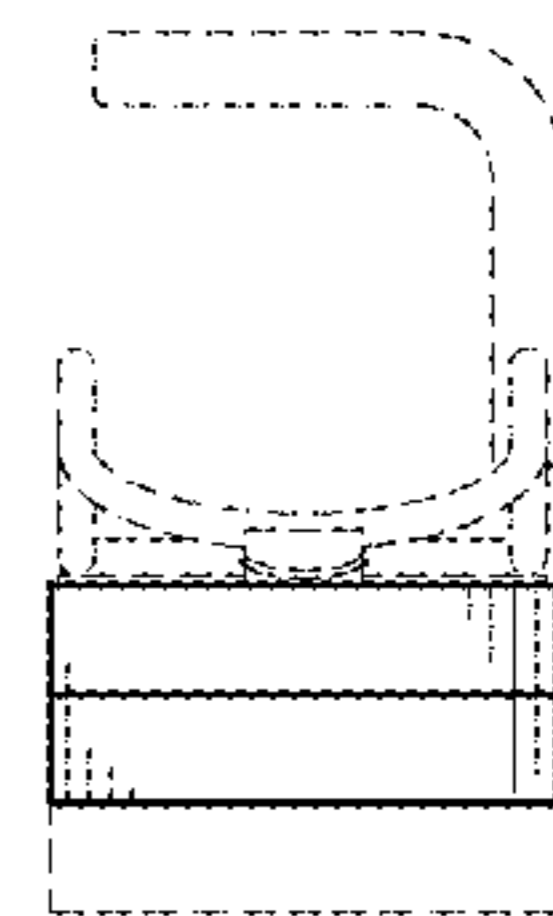


Fig. 24