



US00D772602S

(12) **United States Design Patent** (10) **Patent No.:** **US D772,602 S**
Indruk (45) **Date of Patent:** **** Nov. 29, 2016**

(54) **TIP FOR DISPENSER PUMP**
(71) Applicant: **Gregory L. Indruk**, Nashua, NH (US)
(72) Inventor: **Gregory L. Indruk**, Nashua, NH (US)
(**) Term: **15 Years**

D385,193 S 10/1997 Daansen
D396,411 S 7/1998 Daansen
D396,589 S 8/1998 Daansen
D413,466 S * 9/1999 Warshawsky D6/516
D422,823 S 4/2000 Daansen
D424,167 S * 5/2000 Yuen D23/233
D424,350 S 5/2000 Daansen
D427,470 S 7/2000 Daansen

(Continued)

(21) Appl. No.: **29/528,169**

(22) Filed: **May 27, 2015**

(51) **LOC (10) Cl.** **23-02**

(52) **U.S. Cl.**
USPC **D6/542**; D9/448

(58) **Field of Classification Search**
USPC D6/542-545; D7/300.2, 397, 398;
D9/434-436, 439, 440, 443, 447, 448,
D9/449, 499, 682, 723; D24/108, 127;
220/377; 221/280, 282, 283; 222/556,
222/557, 402.13, 281, 181.2, 397
CPC B65D 47/06
See application file for complete search history.

OTHER PUBLICATIONS

Design U.S. Appl. No. 29/532,798, filed Jul. 10, 2015.

Primary Examiner — David Muller
Assistant Examiner — Nathan Johnston
(74) *Attorney, Agent, or Firm* — McLane, Middleton,
Professional Association

(57) **CLAIM**
The ornamental design for a tip for dispenser pump, as shown and described.

(56) **References Cited**

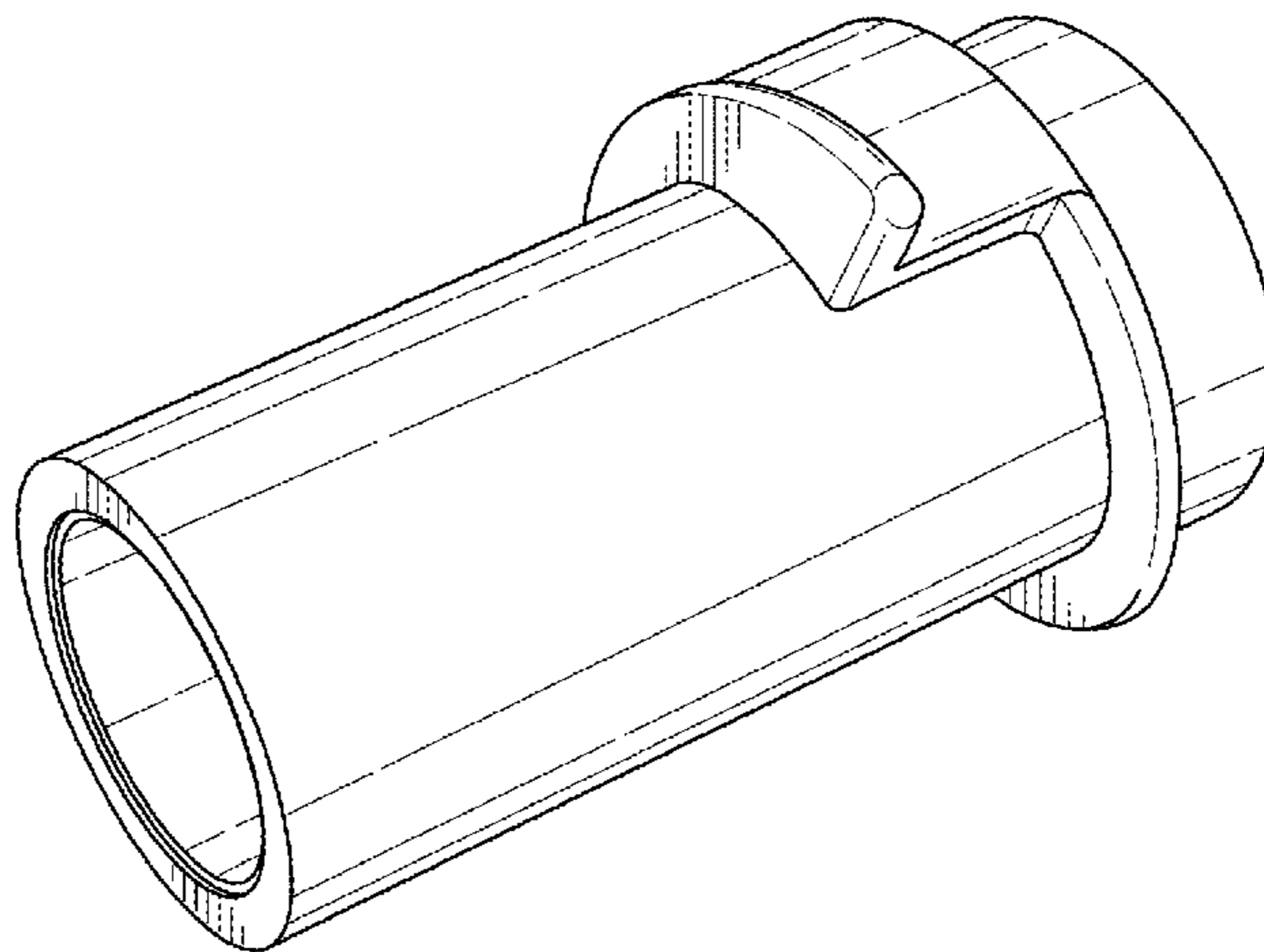
U.S. PATENT DOCUMENTS

D358,295 S * 5/1995 Moench D7/398
D359,683 S * 6/1995 Beach D9/434
5,464,125 A 11/1995 Daansen
D366,391 S * 1/1996 Haley D7/387
D366,833 S 2/1996 Daansen
5,501,372 A 3/1996 Daansen
D370,629 S * 6/1996 Lynch D9/439
D370,813 S 6/1996 Daansen
D370,814 S 6/1996 Daansen
D370,963 S 6/1996 Daansen
D371,514 S 7/1996 Daansen
D371,966 S 7/1996 Daansen
D378,196 S 2/1997 Daansen
5,598,952 A 2/1997 Daansen
D378,663 S 4/1997 Daansen
D378,718 S 4/1997 Daansen
D383,673 S 9/1997 Daansen
D383,674 S 9/1997 Daansen
D383,675 S 9/1997 Daansen
D384,284 S 9/1997 Daansen

DESCRIPTION

FIG. 1 is a perspective view of a tip for dispenser pump, taken generally from the bottom and left side, showing the new design;
FIG. 2 is a perspective view thereof, taken generally from the top and front side;
FIG. 3 is a front elevation view thereof;
FIG. 4 is a rear elevation view thereof;
FIG. 5 is a top plan view thereof;
FIG. 6 is a bottom plan view thereof;
FIG. 7 is a left side elevation view thereof;
FIG. 8 is a right side elevation view thereof; and,
FIG. 9 is a side cross-sectional view taken along the lines 9-9 appearing in FIG. 3.
The features shown in dot-dash lines depict environmental subject matter only and form no part of the claimed design. The broken line cross hatching in FIG. 9 forms no part of the claimed design and no particular material is claimed.

1 Claim, 4 Drawing Sheets



(56)

References Cited

U.S. PATENT DOCUMENTS

D467,769 S *	12/2002	Riendeau	D9/447	D596,486 S *	7/2009	Pearsall	D10/101
D481,583 S *	11/2003	Fino	D7/354	8,336,740 B1	12/2012	Daansen		
D512,316 S *	12/2005	Illenberger	D9/516	D678,767 S *	3/2013	Haley	D9/440
D517,915 S	3/2006	Daansen			D682,690 S *	5/2013	Bowes	D9/439
D531,900 S *	11/2006	Mavin	D9/447	D687,923 S *	8/2013	Jung	D23/211.2
D565,879 S *	4/2008	Kadiks	D6/545	D707,489 S *	6/2014	Hertaus	D7/397
D565,880 S *	4/2008	Kadiks	D6/545	D719,826 S *	12/2014	Burnside	D9/447
D575,105 S *	8/2008	Gauss	D7/397	8,899,449 B2	12/2014	Daansen		
D589,348 S *	3/2009	Miller	D9/445	D754,537 S *	4/2016	Prozumenshchikov	D9/439
7,537,140 B2 *	5/2009	Lin	B05B 11/3001 222/181.1	D756,772 S *	5/2016	Wei	D9/436
					2011/0284572 A1 *	11/2011	Meyer	A47F 1/085 221/251
					2015/0321800 A1 *	11/2015	Viale	B65D 47/06 215/43

* cited by examiner

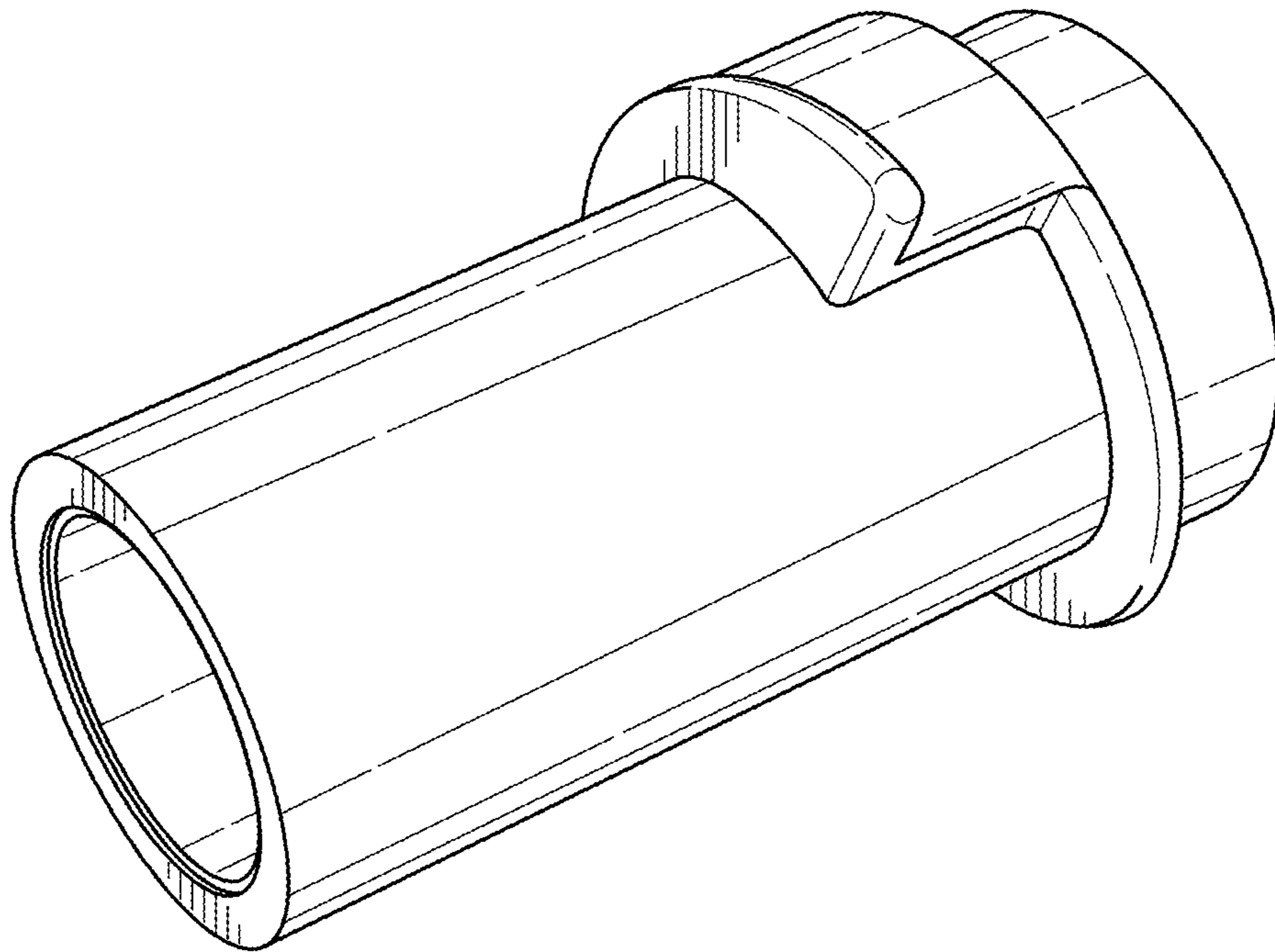


FIG. 1

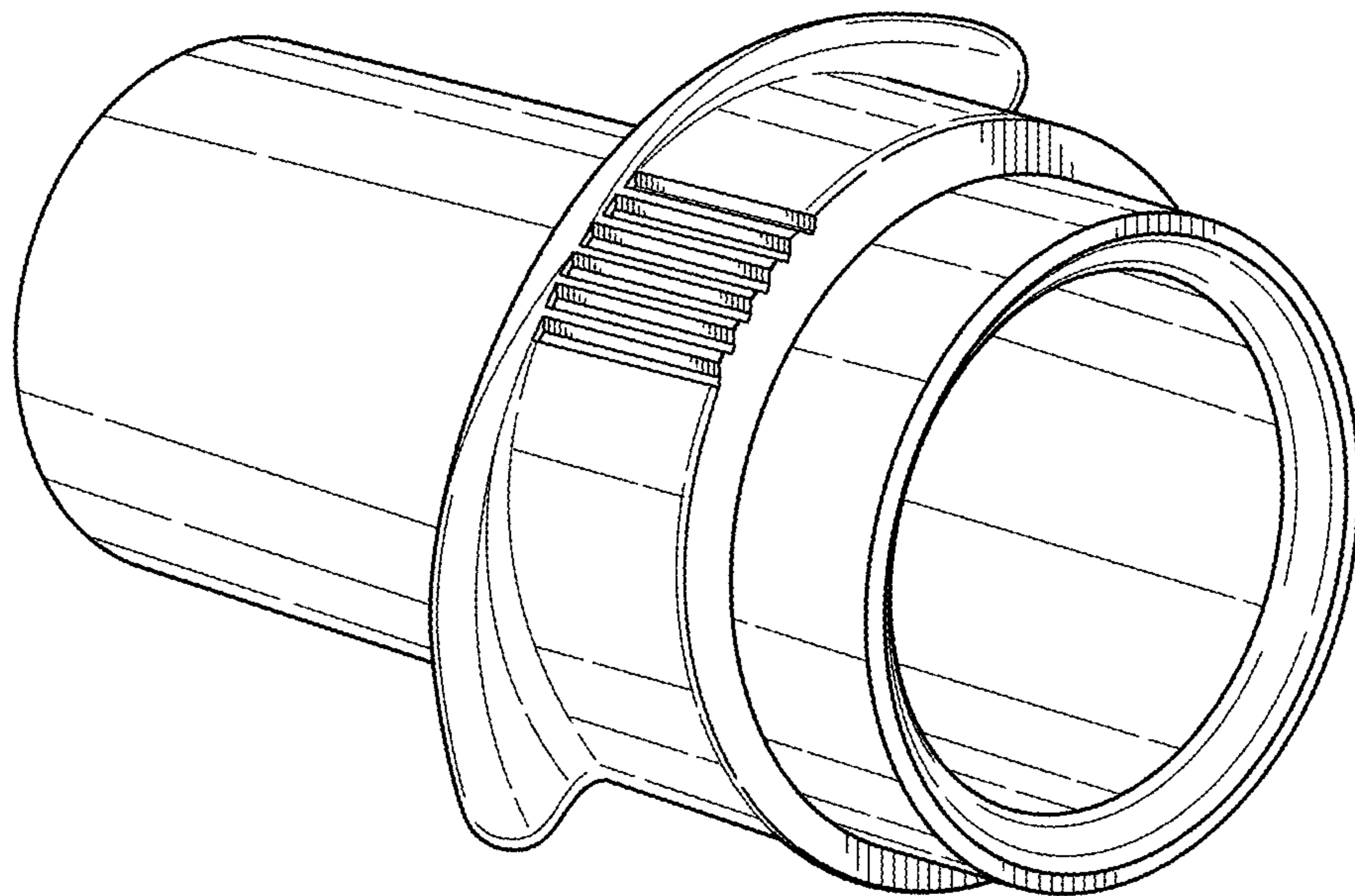


FIG. 2

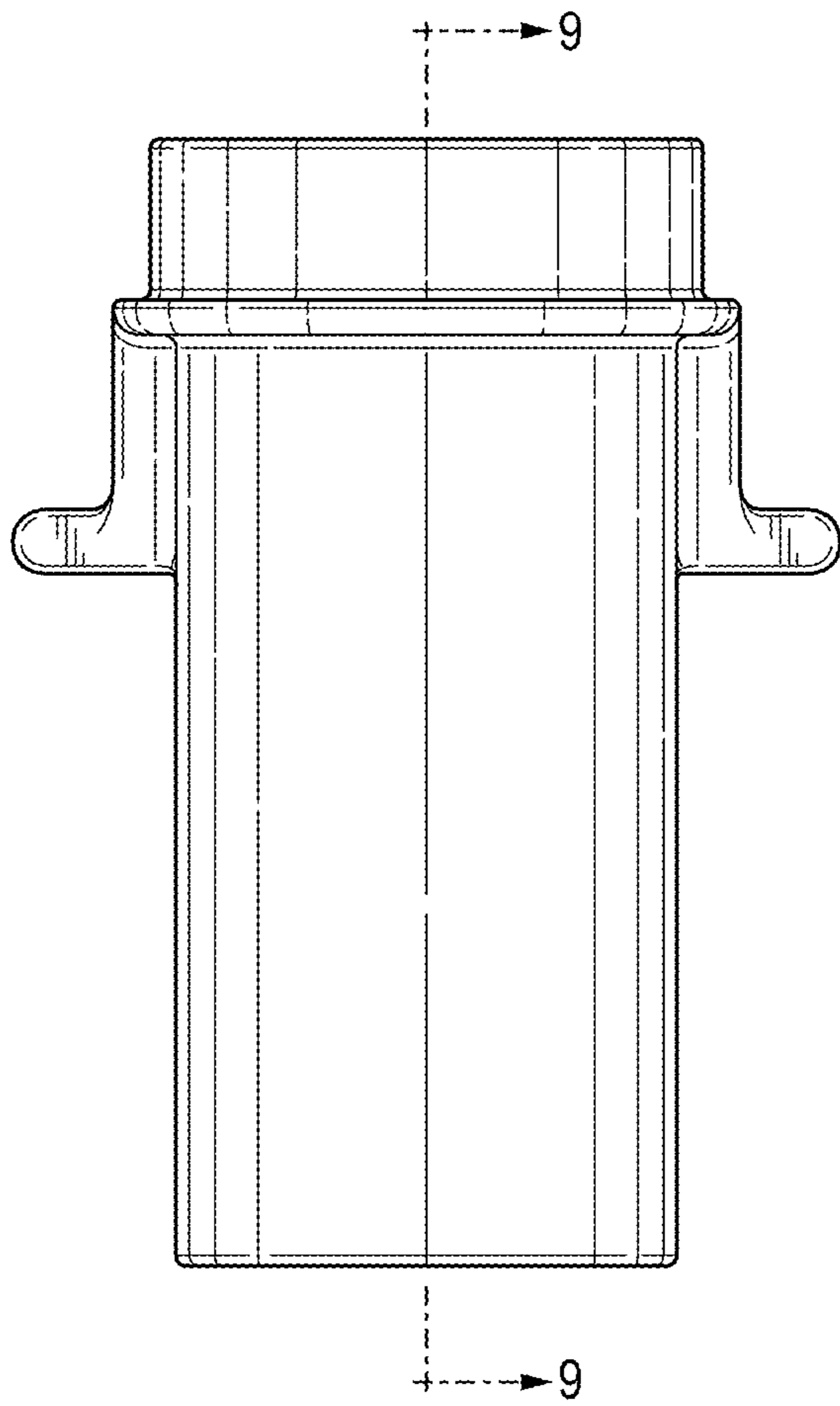


FIG. 3

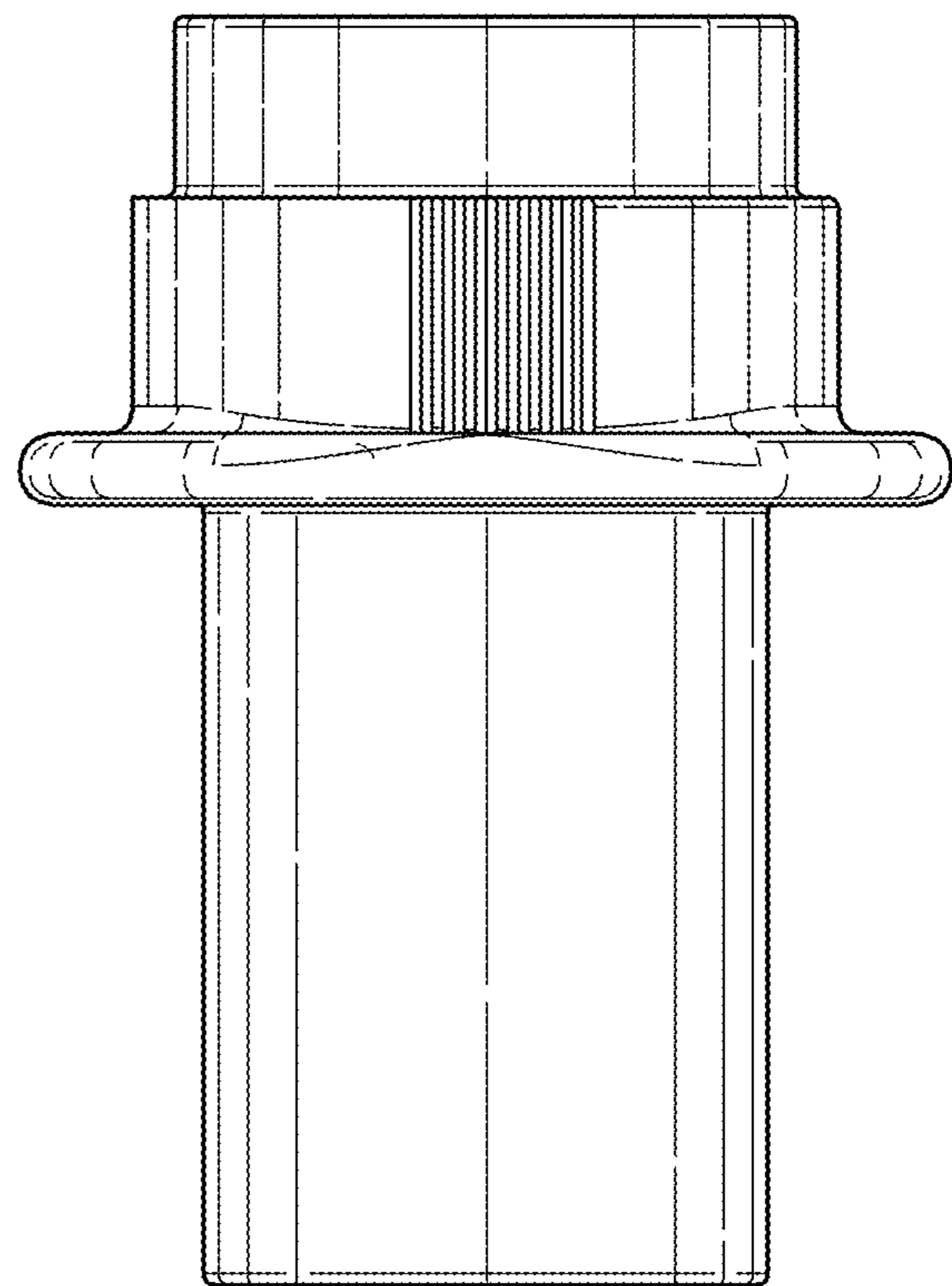


FIG. 4

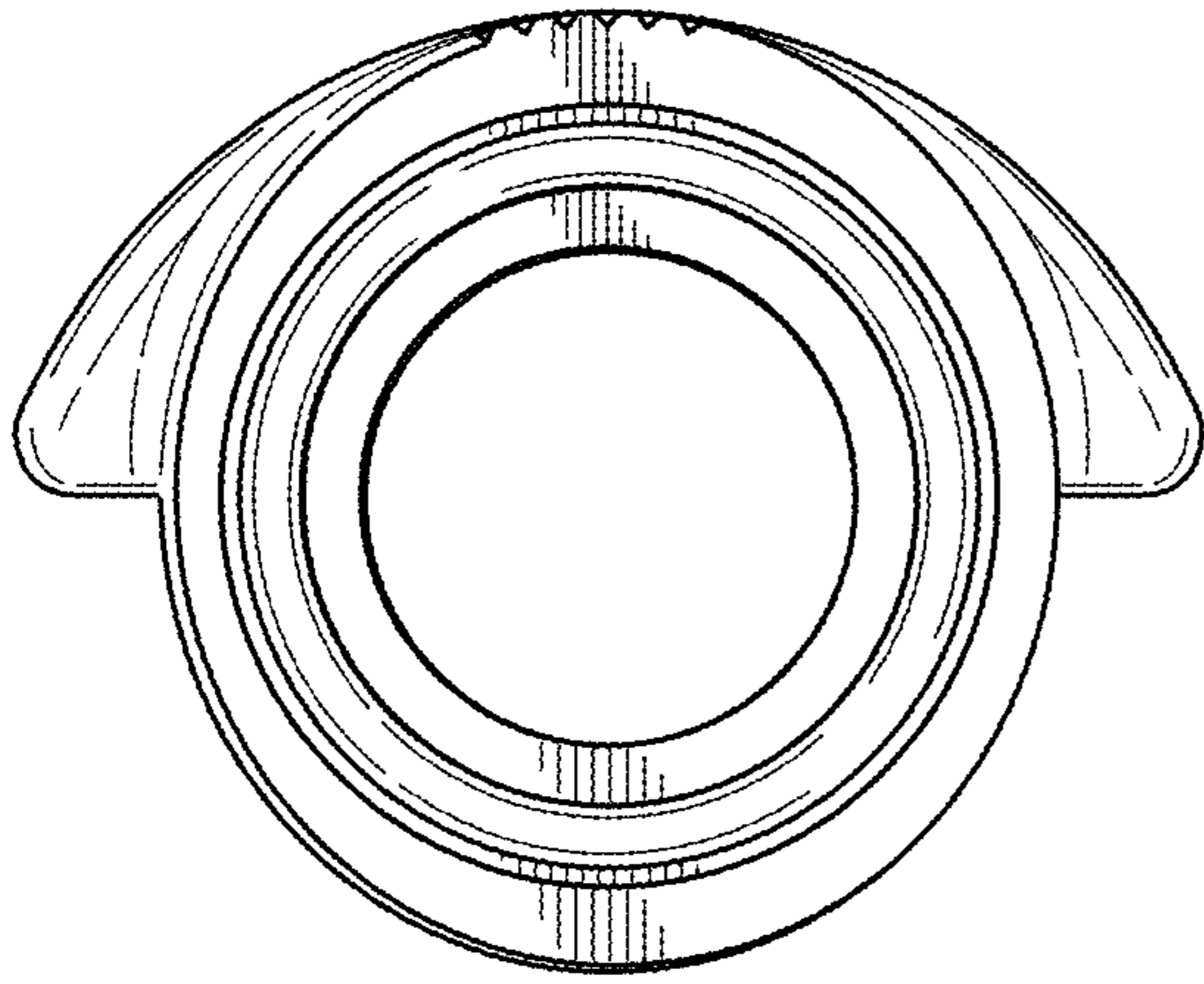


FIG. 5

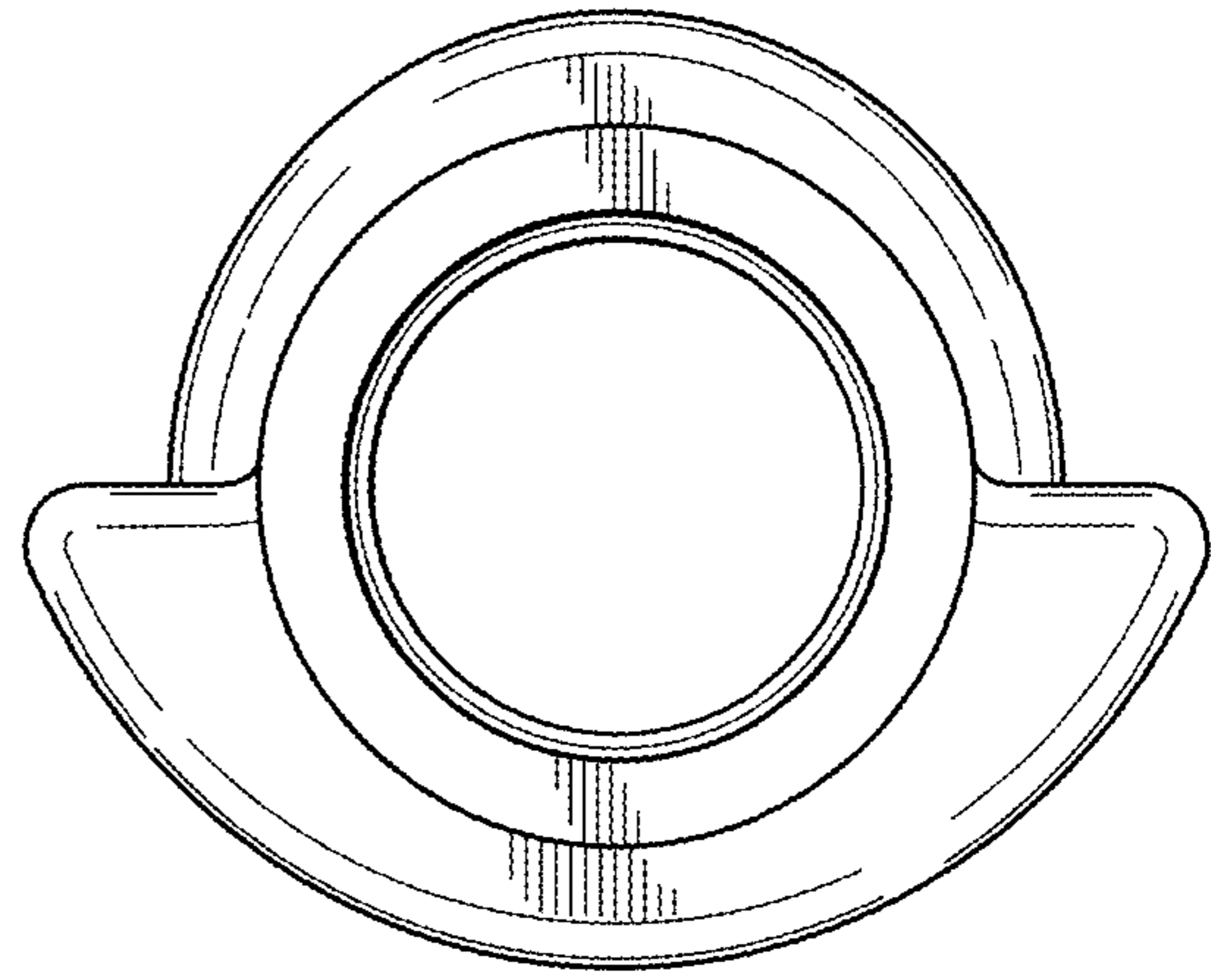


FIG. 6

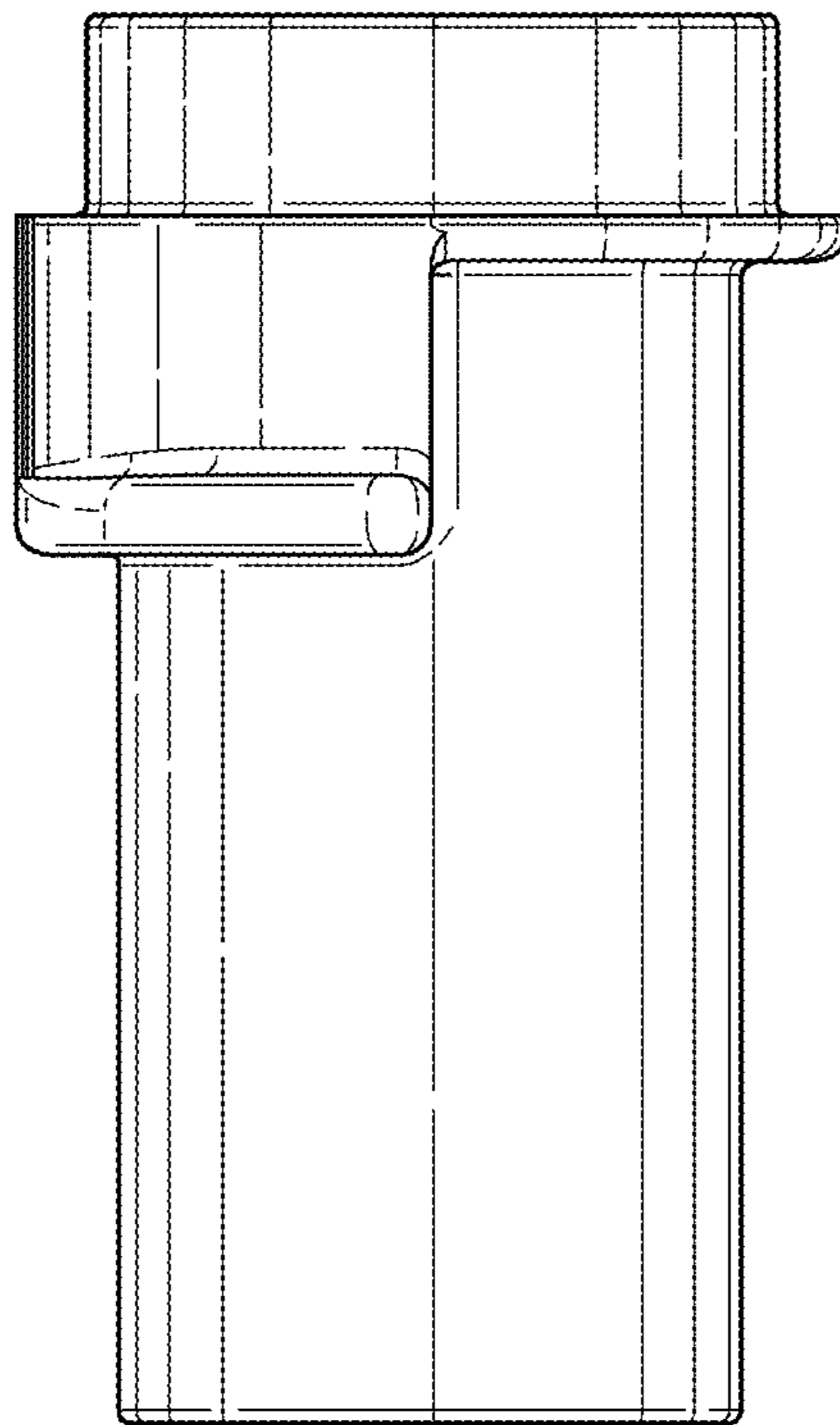


FIG. 7

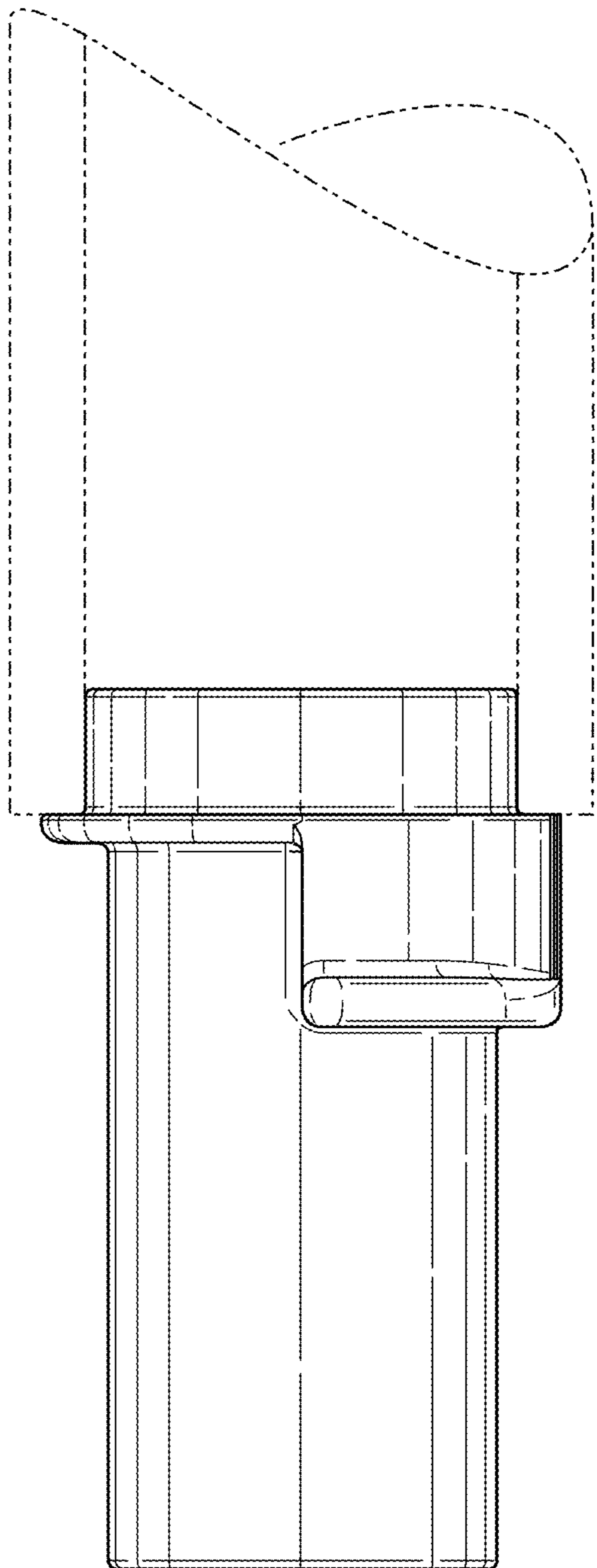


FIG. 8

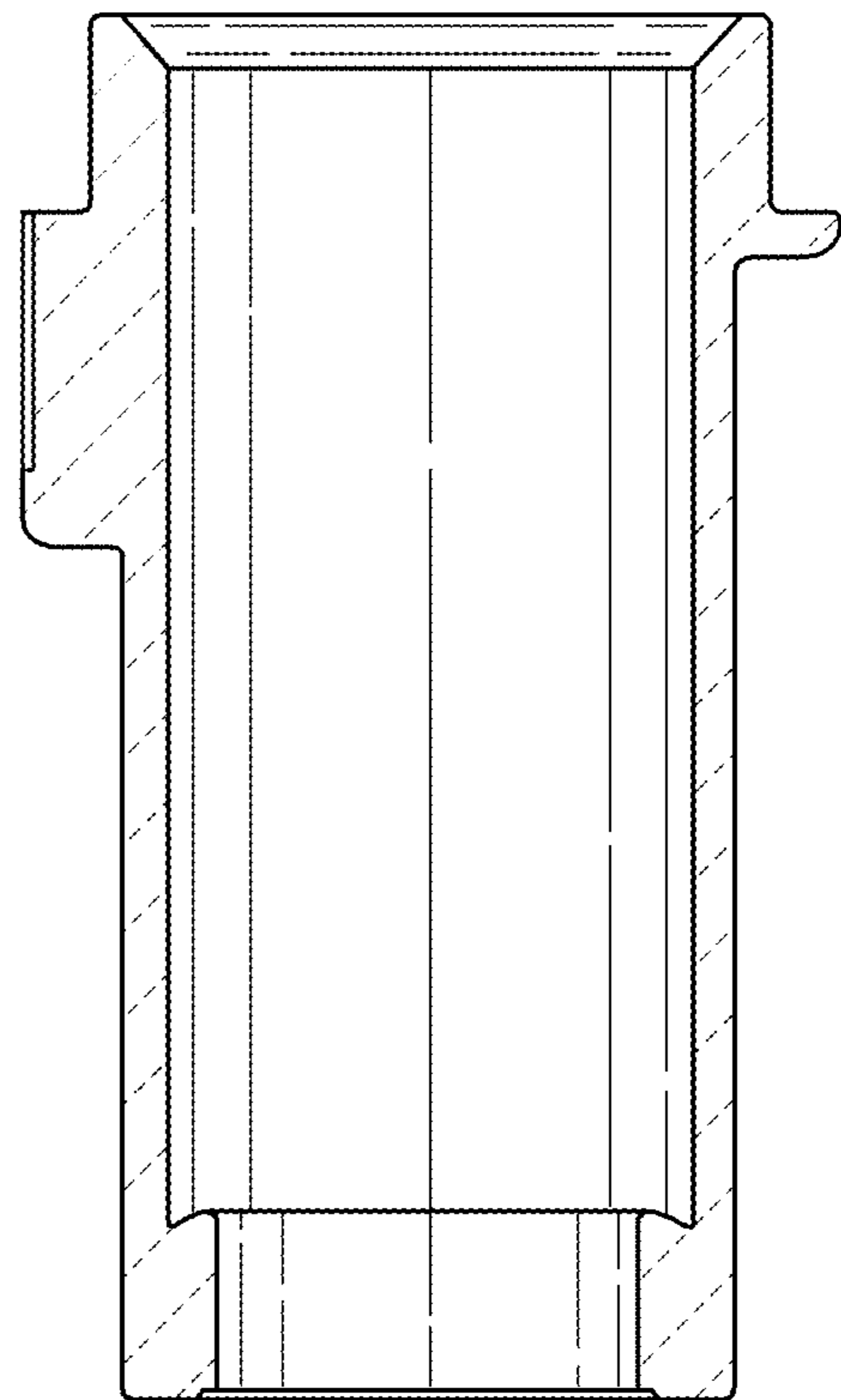


FIG. 9