



US00D772599S

(12) **United States Design Patent**
Kovari

(10) **Patent No.:** **US D772,599 S**

(45) **Date of Patent:** **** Nov. 29, 2016**

(54) **FIN MOUNTED SURFBOARD RACK**

(71) Applicant: **AFRAME LLC**, Las Vegas, NV (US)

(72) Inventor: **Netanel Tuvia Kovari**, Las Vegas, NV (US)

(73) Assignee: **AFRAME LLC**, Las Vegas, NV (US)

(**) Term: **14 Years**

(21) Appl. No.: **29/501,952**

(22) Filed: **Sep. 10, 2014**

(51) **LOC (10) Cl.** **08-08**

(52) **U.S. Cl.**
USPC **D6/522**

(58) **Field of Classification Search**
USPC D6/552, 553, 567; 211/13.1, 34-35,
211/86.01, 87.01, 89.01, 106.01, 70.5, 100,
211/110, 112, 113, 115, 116, 124;
248/309.1, 312
CPC A47B 81/00; A47B 81/005; B63B 35/00;
B63B 35/79
See application file for complete search history.

(56) **References Cited**

U.S. PATENT DOCUMENTS

5,706,680 A * 1/1998 Wroble A63C 11/004
211/4
5,884,781 A * 3/1999 Ehrhart A63C 11/028
211/60.1
D472,751 S * 4/2003 Doscher D6/552
6,604,639 B2 * 8/2003 Chen A47F 7/00
211/41.2

D499,594 S * 12/2004 Laitila D6/552
D562,043 S * 2/2008 Rogers D6/552
D655,549 S * 3/2012 Allain D6/552

* cited by examiner

Primary Examiner — Wan Laymon

Assistant Examiner — Mark Booker

(74) *Attorney, Agent, or Firm* — Paul D. Bianco; Fleit
Gibbons Gutman Bongini & Bianco PL

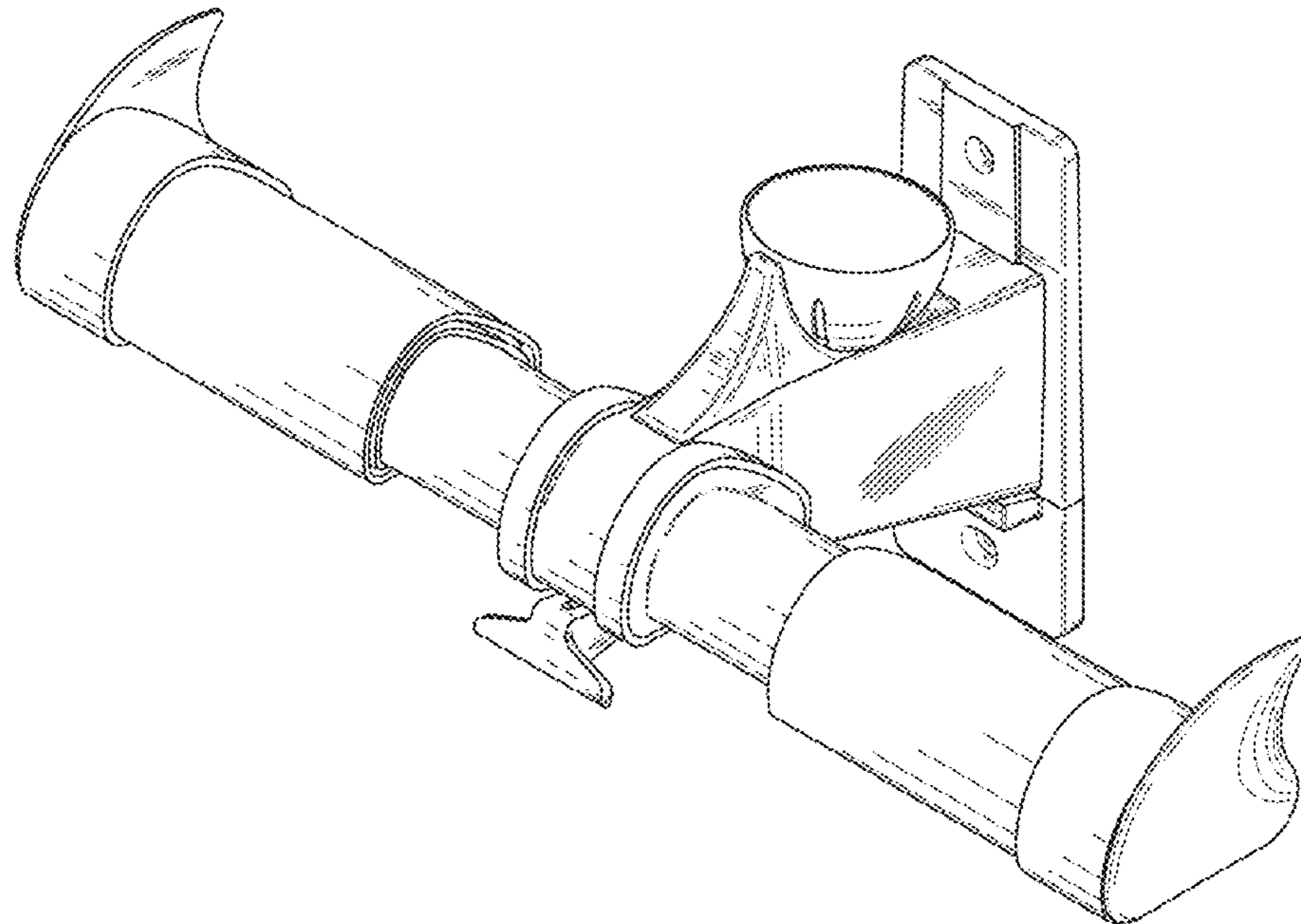
(57) **CLAIM**

The ornamental design for a fin mounted surfboard rack, as shown and described.

DESCRIPTION

FIG. 1 is a front perspective elevational view of the fin mounted surfboard rack in an extended position, in accordance with an embodiment of the present invention; FIG. 2 is another front perspective elevational view of the fin mounted surfboard rack in a retracted position, in accordance with an embodiment of the present invention; FIG. 3 is a front view of the fin mounted surfboard rack of FIG. 1; FIG. 4 is a rear view of the fin mounted surfboard rack of FIG. 1; FIG. 5 is a top view of the fin mounted surfboard rack of FIG. 1; FIG. 6 is a bottom view of the fin mounted surfboard rack of FIG. 1; and, FIG. 7 is a right side view of the fin mounted surfboard rack of FIG. 1, the left side view being a mirror image thereof. The broken lines shown in the figures are included for the purpose of illustrating portions of the fin mounted surfboard rack and form no part of the claimed design.

1 Claim, 7 Drawing Sheets



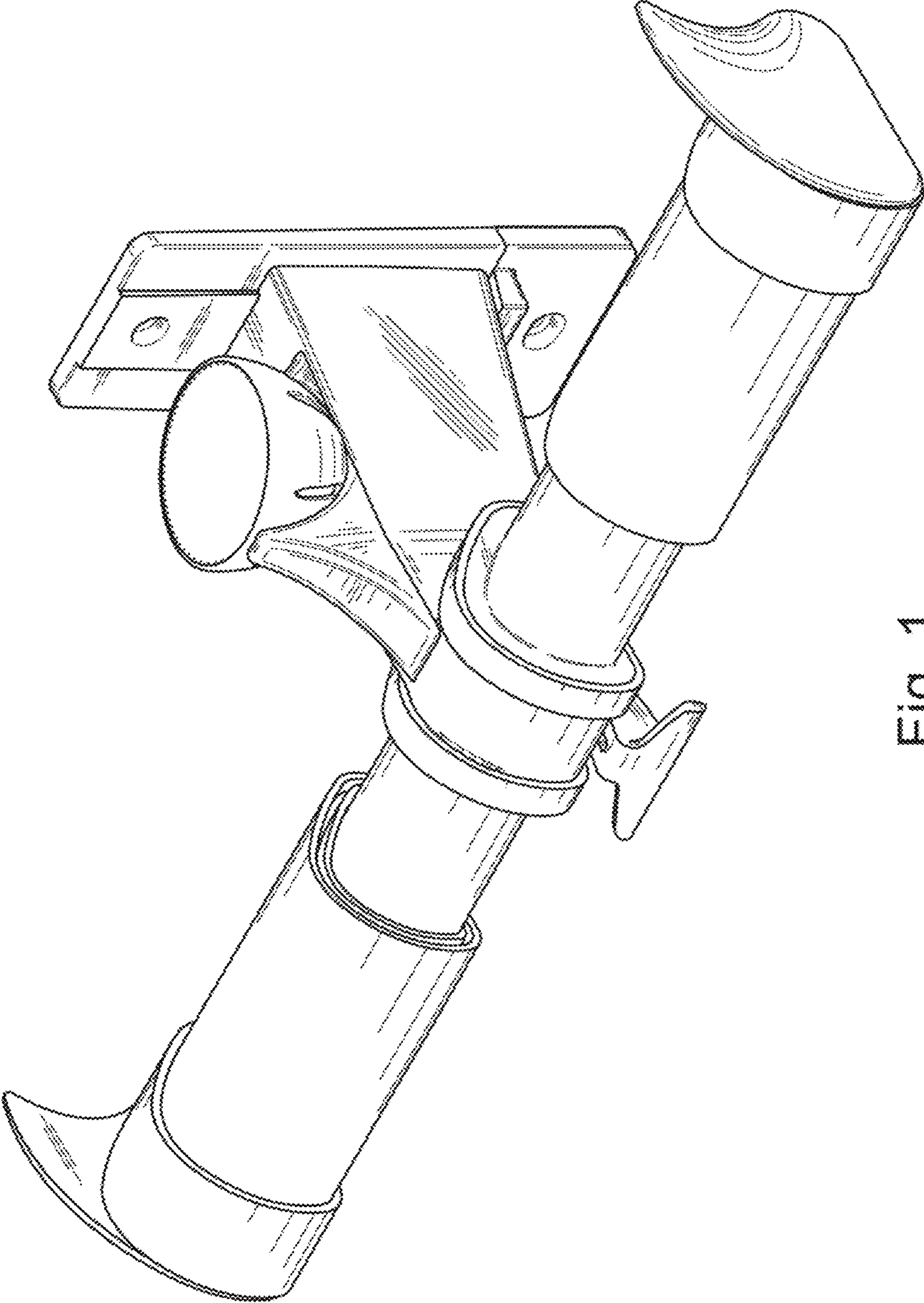


Fig. 1

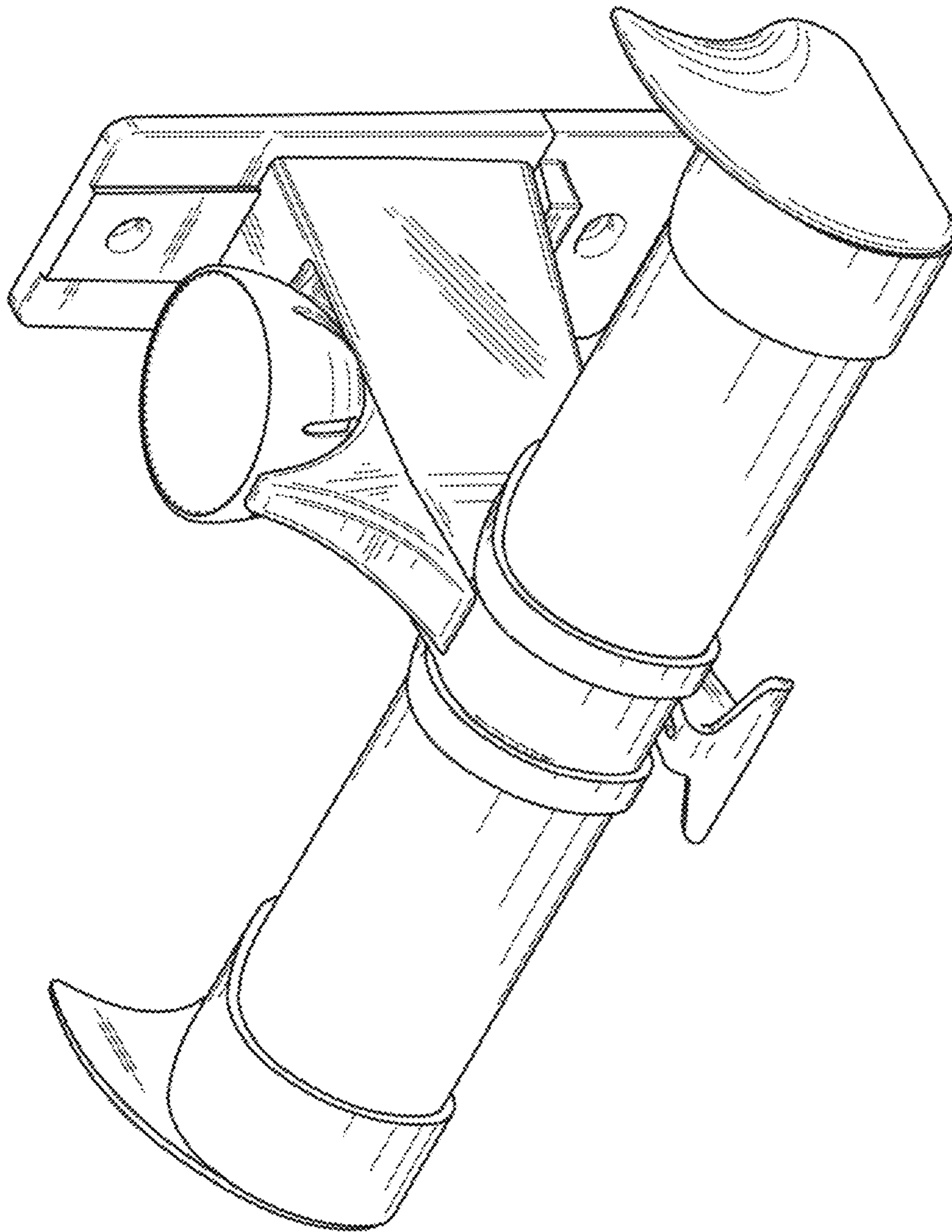


Fig. 2

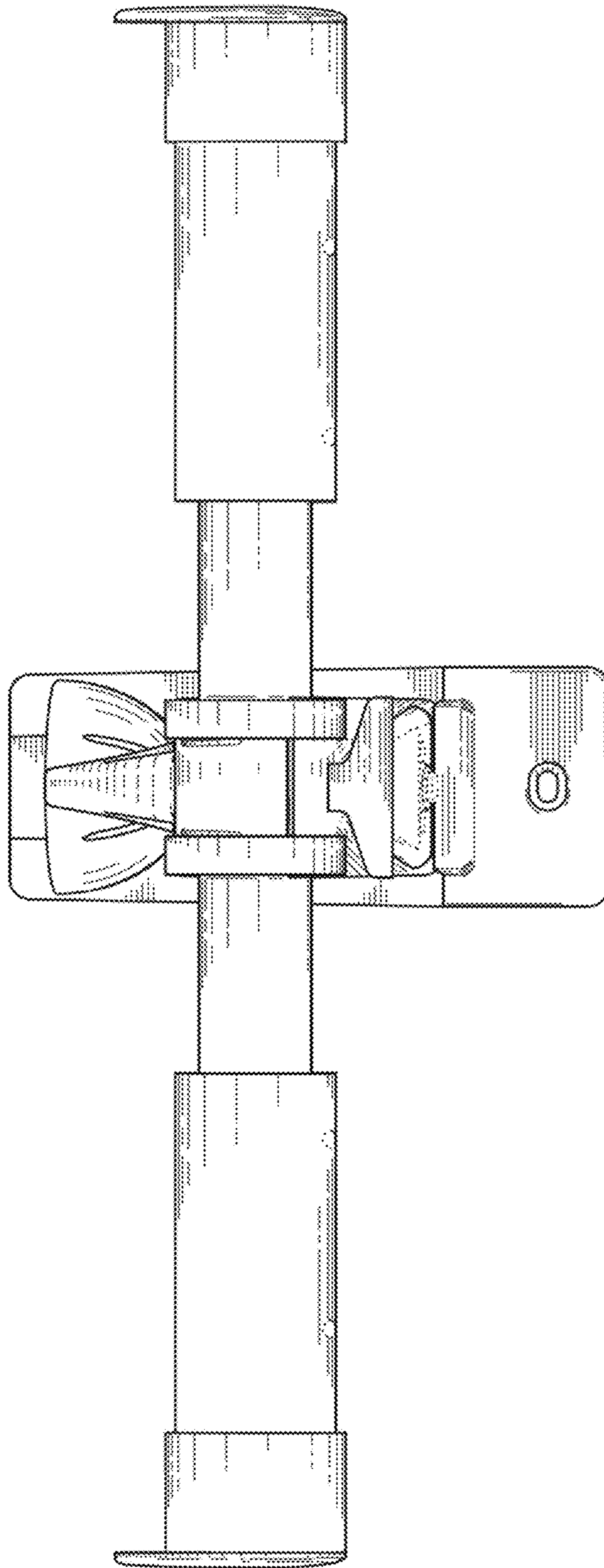


Fig. 3

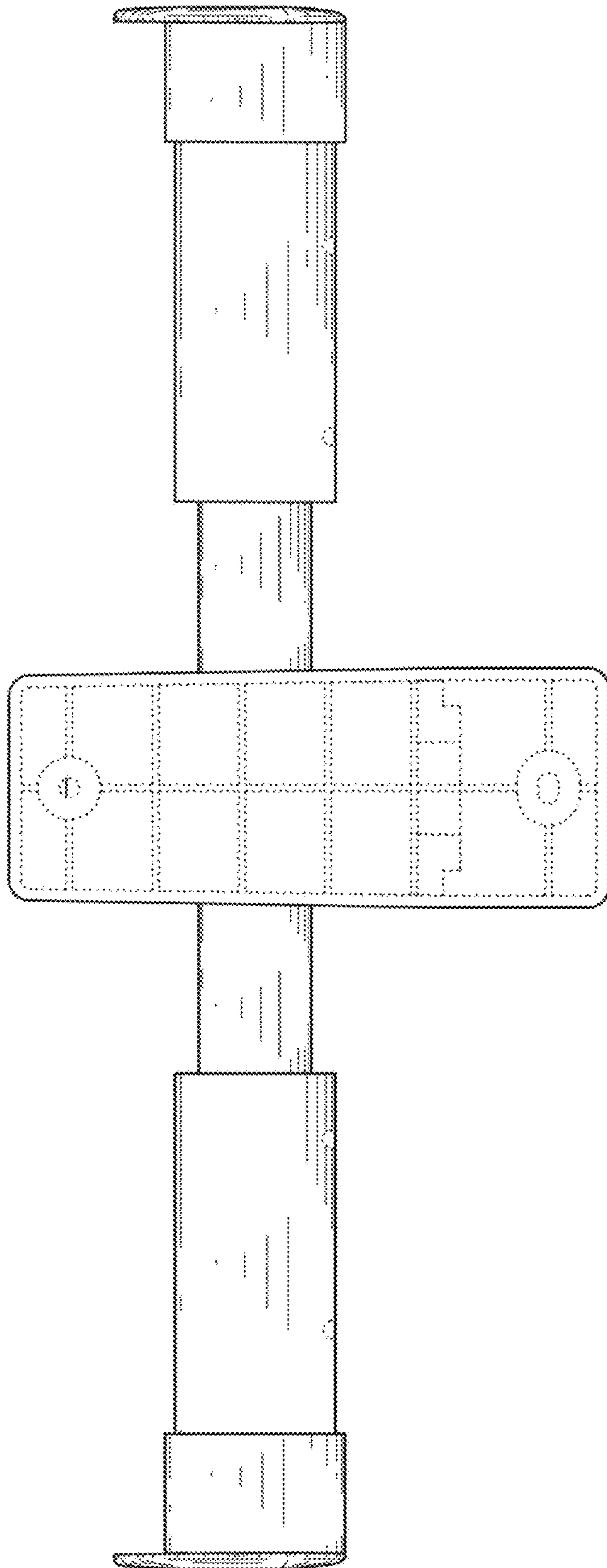


Fig. 4

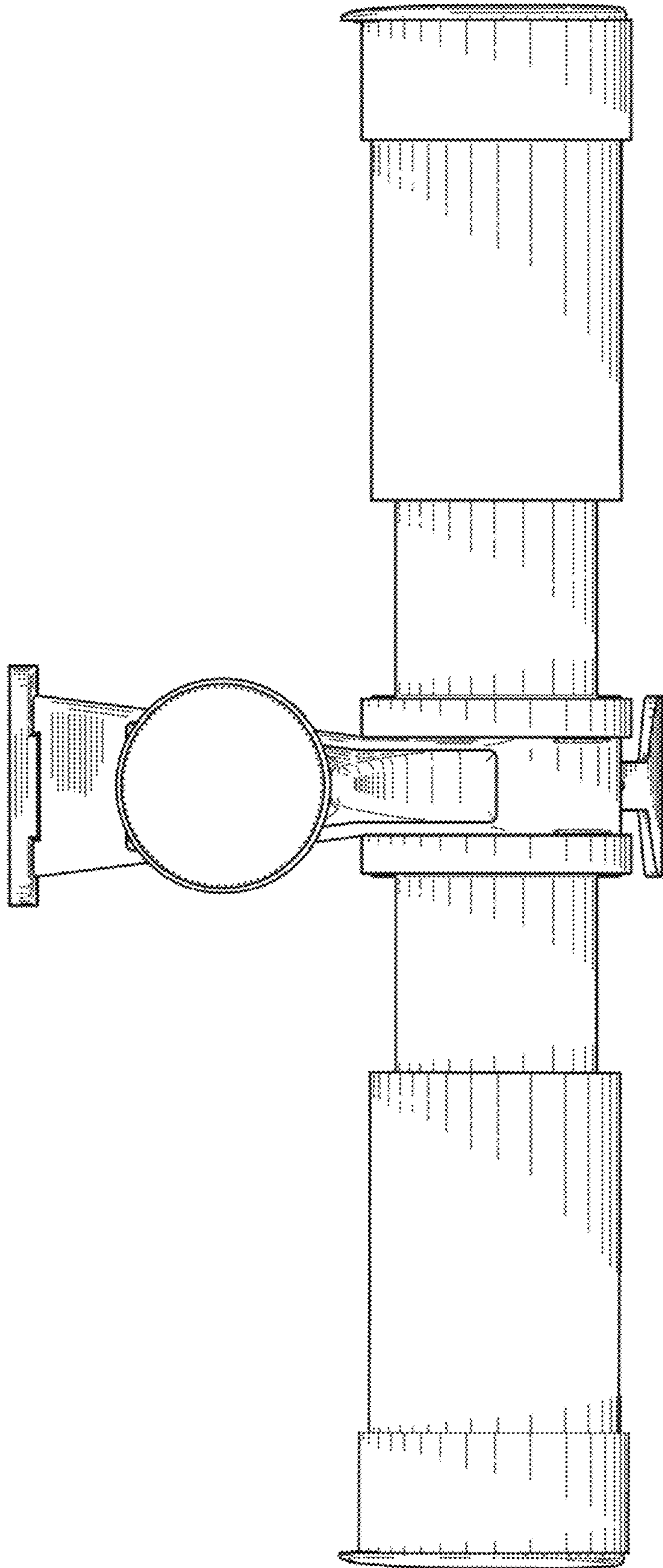


Fig. 5

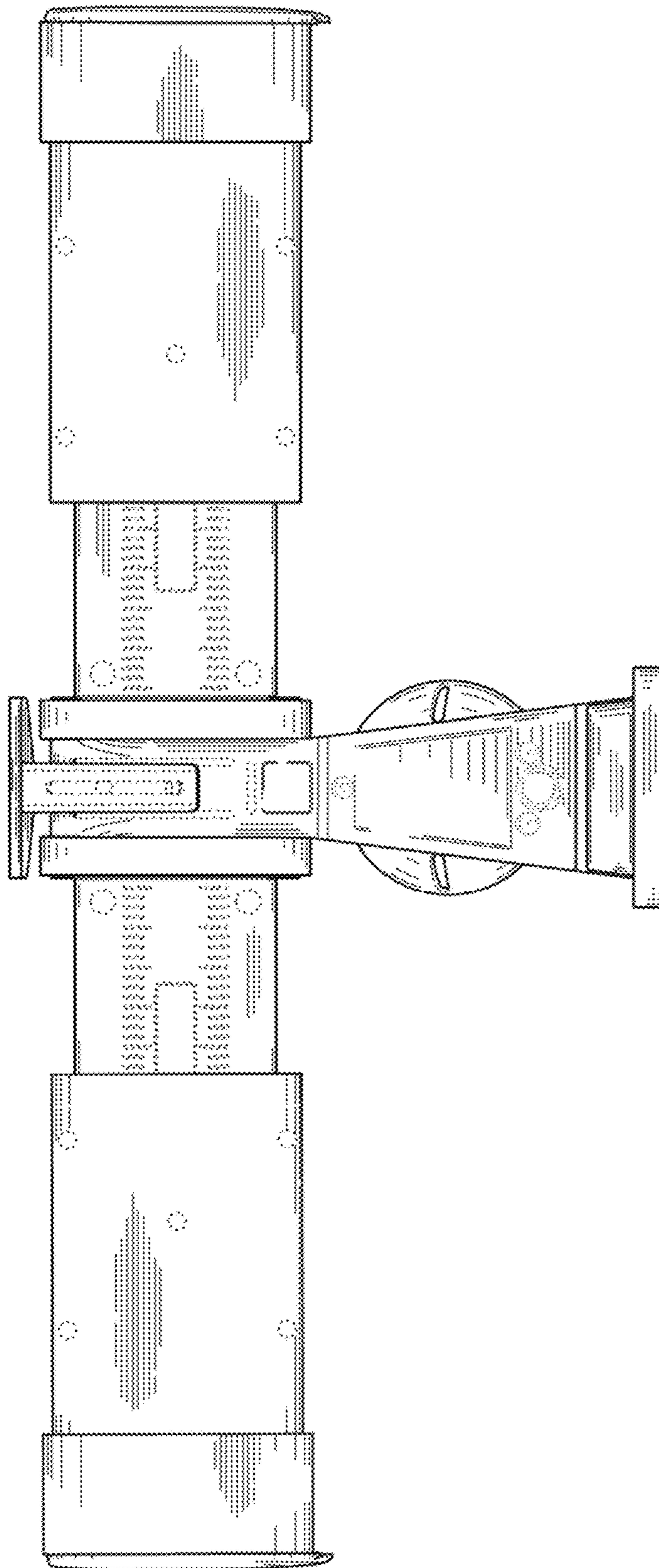


Fig. 6

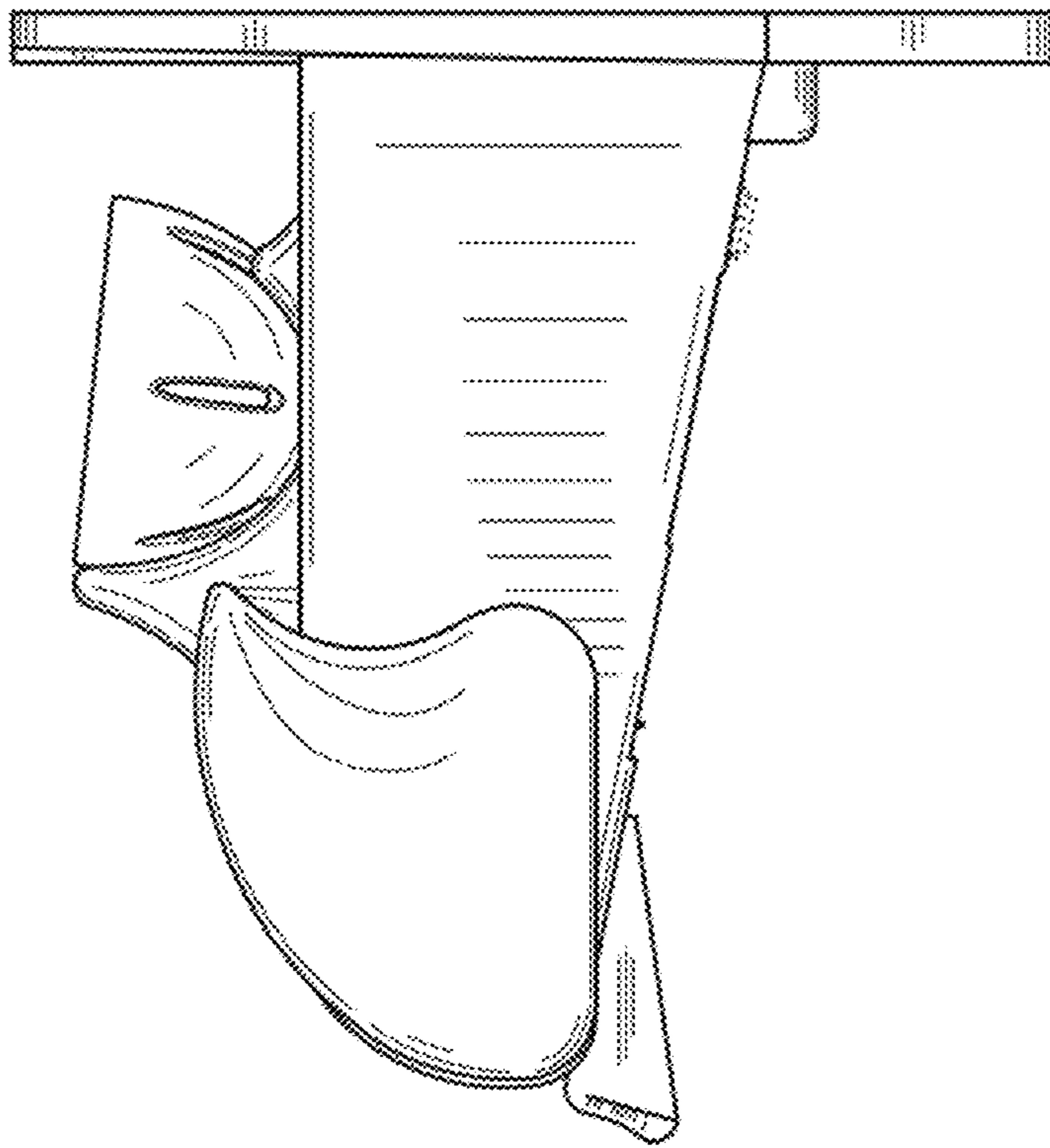


Fig. 7