



US00D772596S

(12) **United States Design Patent**
Waxman

(10) **Patent No.:** **US D772,596 S**

(45) **Date of Patent:** **** Nov. 29, 2016**

(54) **LAP DESK**

(71) Applicant: **Waxman Sales, LLC**, Spicewood, TX (US)

(72) Inventor: **Adam Waxman**, Spicewood, TX (US)

(73) Assignee: **WAXMAN SALES, LLC**, Spicewood, TX (US)

(**) Term: **15 Years**

(21) Appl. No.: **29/538,166**

(22) Filed: **Sep. 1, 2015**

(51) **LOC (10) Cl.** **06-06**

(52) **U.S. Cl.**
USPC **D6/406.1**

(58) **Field of Classification Search**
USPC D6/406.3, 406.5, 406.6, 419, 339, 511;
D19/92; D7/550.1, 554.3, 555, 553.2
CPC A47B 17/00; A47B 23/00; A47B 23/001;
A47B 23/002
See application file for complete search history.

(56) **References Cited**

U.S. PATENT DOCUMENTS

- 4,765,583 A * 8/1988 Tenner A47B 23/002
108/43
- D327,200 S * 6/1992 Szablak D7/550.1
- 5,692,815 A * 12/1997 Murphy G06F 3/0395
108/26
- D418,327 S * 1/2000 Sullins D6/406.3
- D512,245 S * 12/2005 Bean D6/406.3
- D514,057 S * 1/2006 Borunda D12/426.1
- D619,823 S * 7/2010 Jennings D6/406.3

- D630,452 S * 1/2011 Robbins D14/457
- 8,667,903 B1 * 3/2014 Goltry A47B 1/05
108/132
- D745,788 S * 12/2015 Schreiter D6/406.3

* cited by examiner

Primary Examiner — Kelley Donnelly

(74) *Attorney, Agent, or Firm* — McAndrews, Held & Malloy, Ltd.

(57) **CLAIM**

The ornamental design for a lap desk, as shown and described.

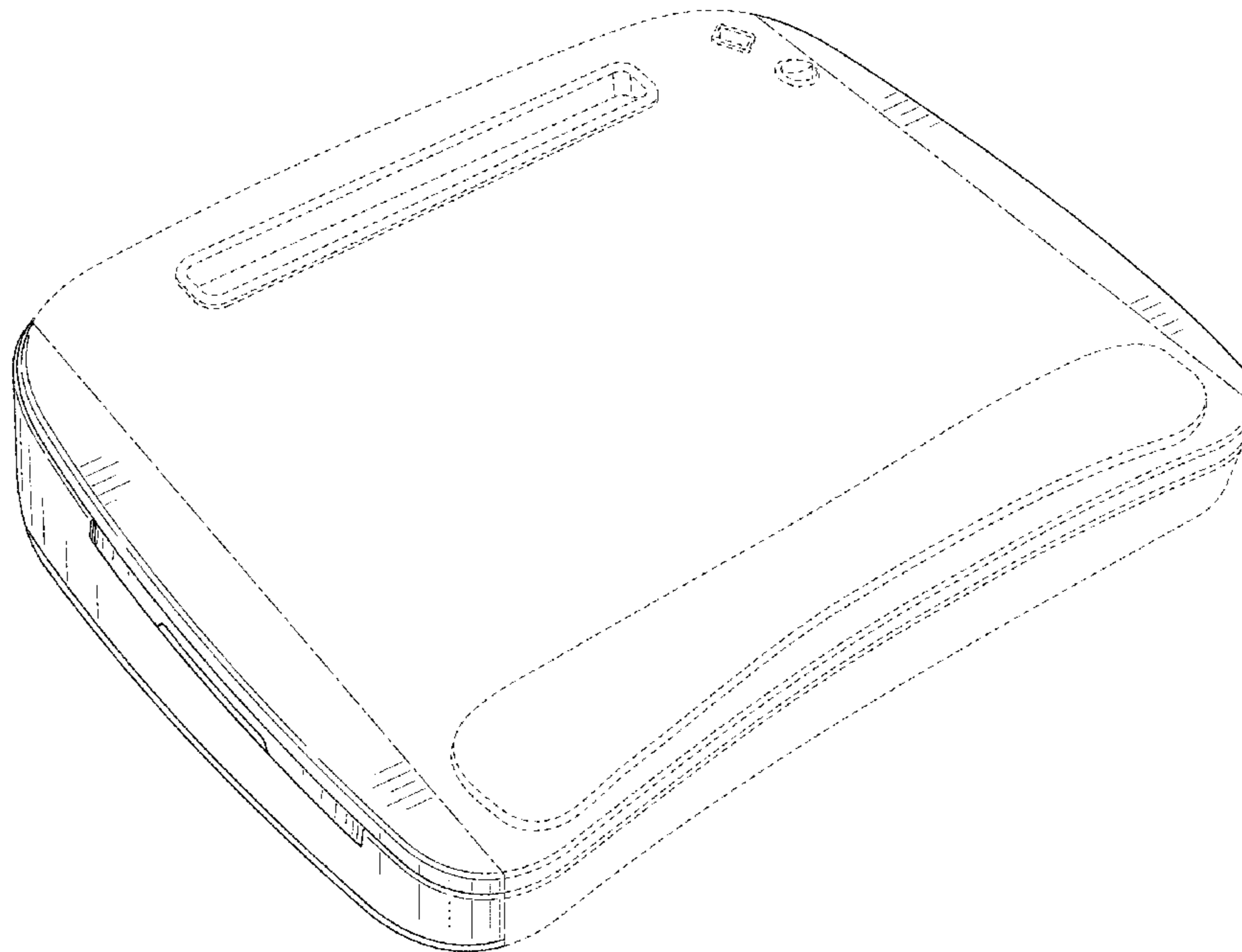
DESCRIPTION

FIG. 1 is a top perspective view of a lap desk showing my new design;
 FIG. 2 is a front elevation view thereof;
 FIG. 3 is a rear elevation view thereof;
 FIG. 4 is a right-side elevation view thereof;
 FIG. 5 is a left-side elevation view thereof;
 FIG. 6 is a top plan view thereof;
 FIG. 7 is a bottom plan view thereof;
 FIG. 8 is a top perspective view thereof in a first open position;
 FIG. 9 is a bottom perspective view thereof in a first open position;
 FIG. 10 is a top perspective view thereof in a second open position; and,
 FIG. 11 is a bottom perspective view thereof in a second open position.

The dashed broken lines show portions of the lap desk that form no part of the claimed design.

The dot-dash broken lines represent an unclaimed boundary line and form no part of the claimed design.

1 Claim, 8 Drawing Sheets



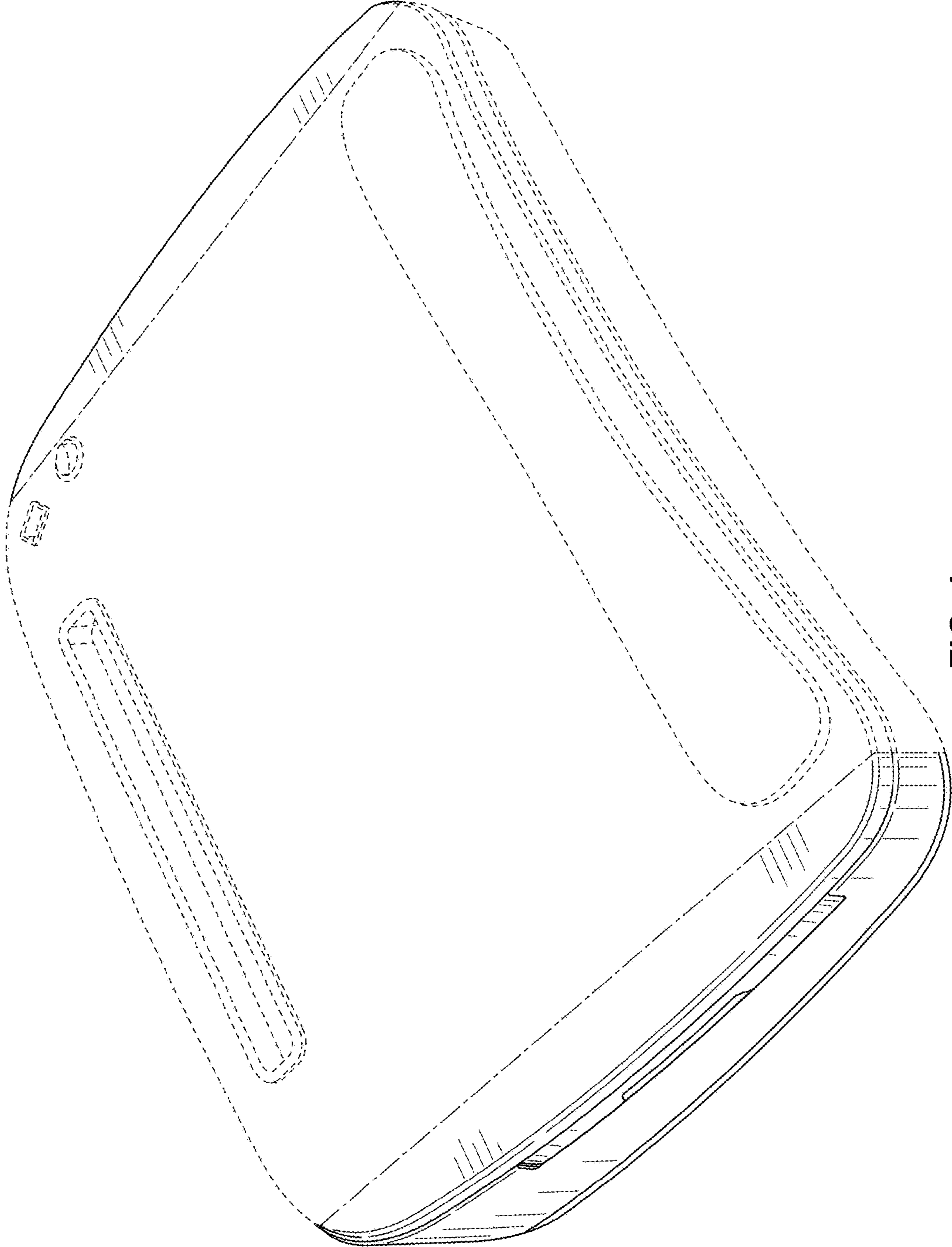


FIG. 1

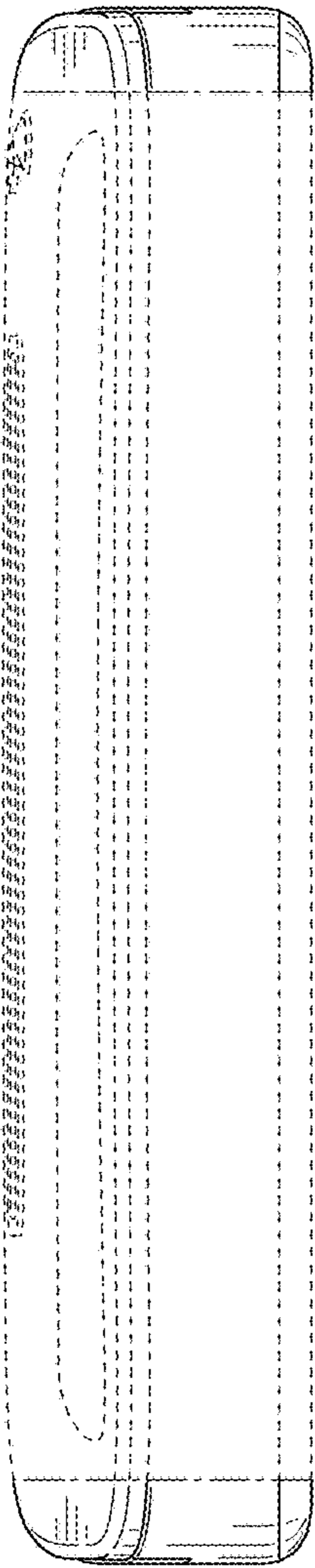


FIG. 2

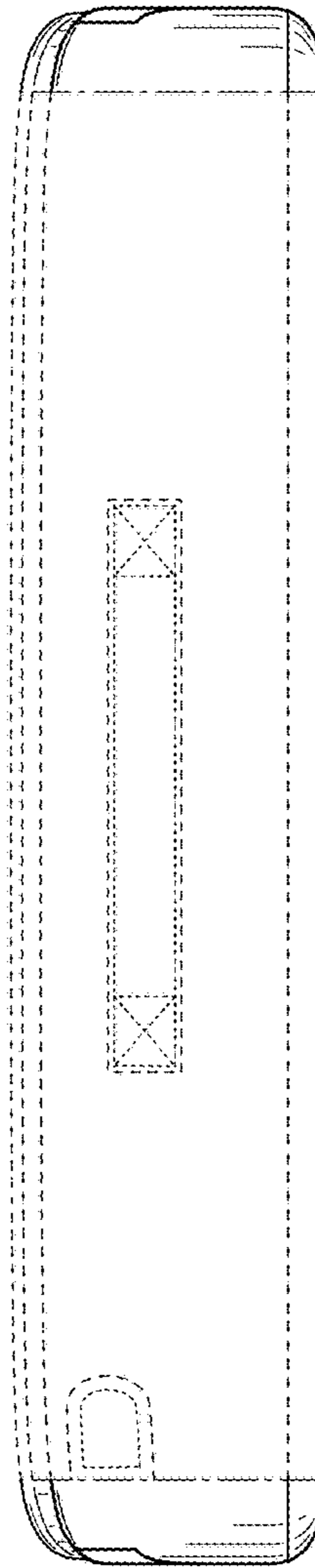


FIG. 3

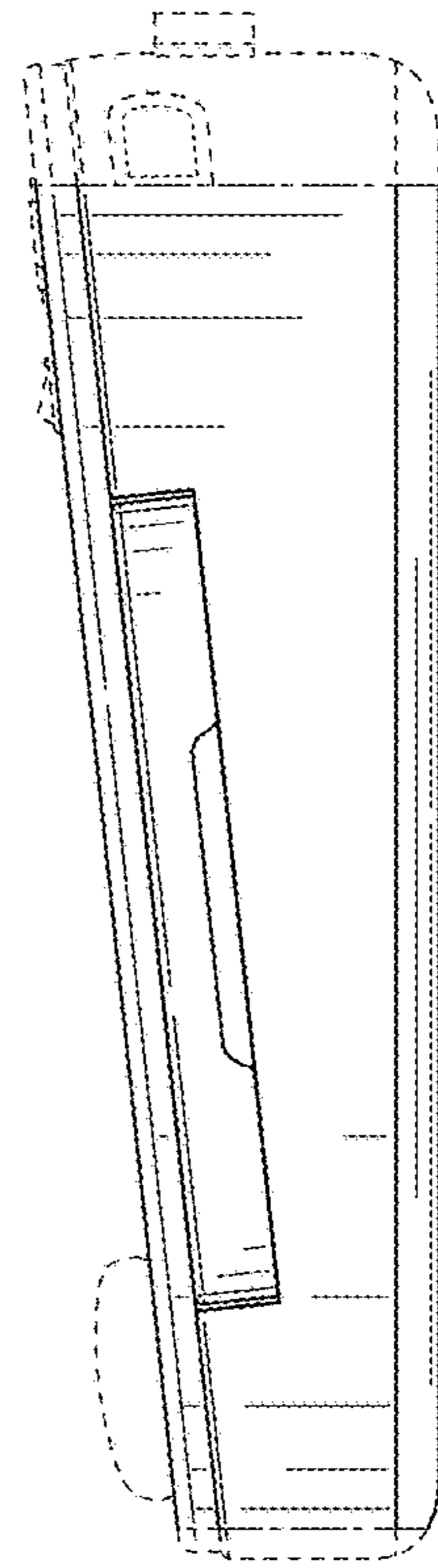


FIG. 4

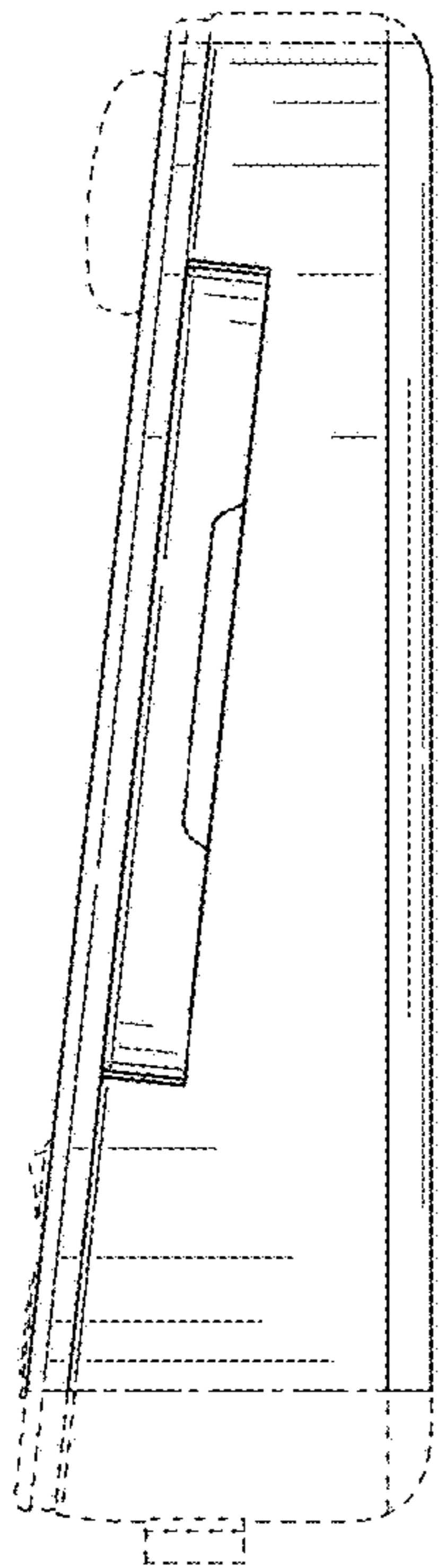


FIG. 5

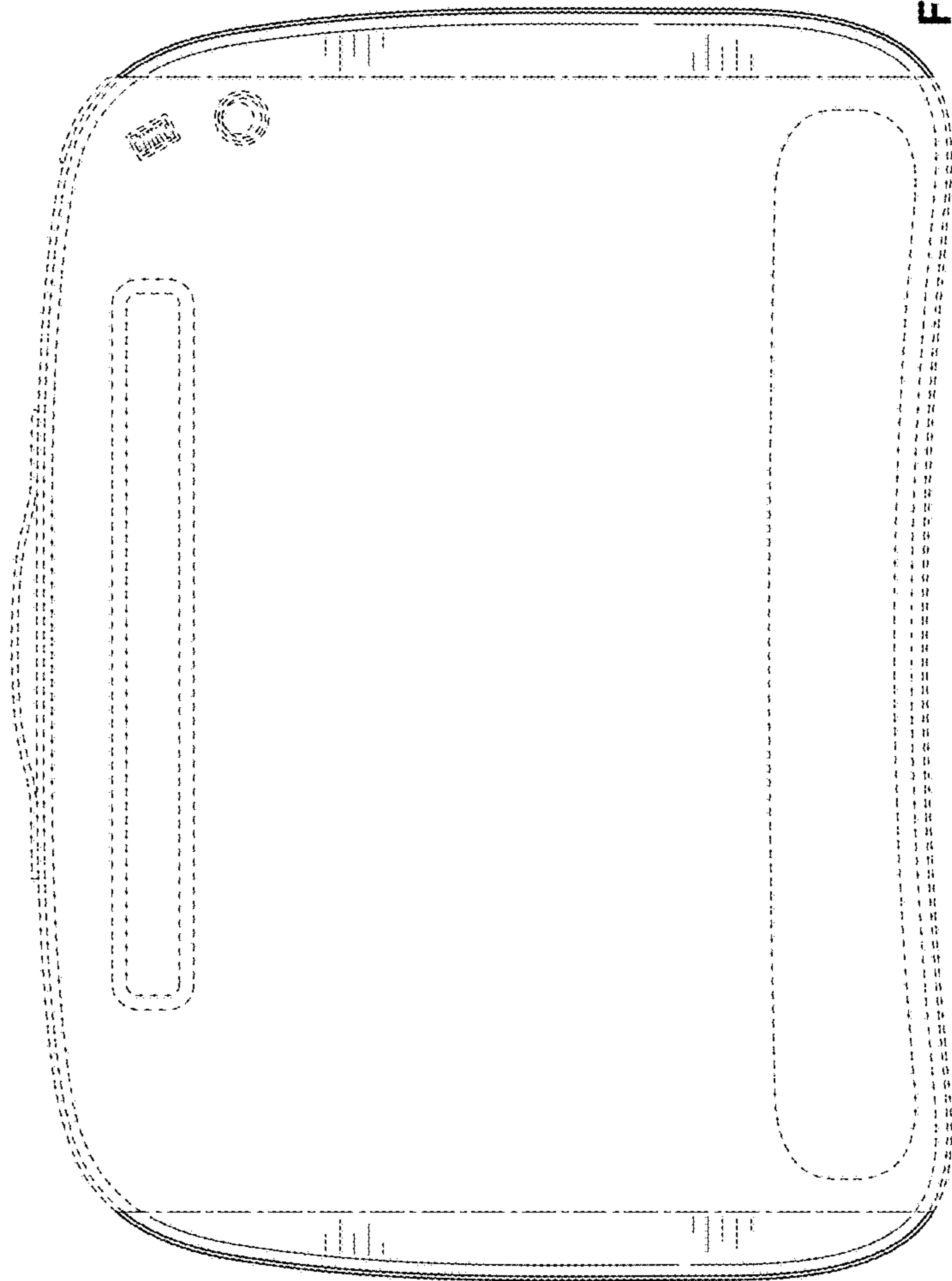


FIG. 6

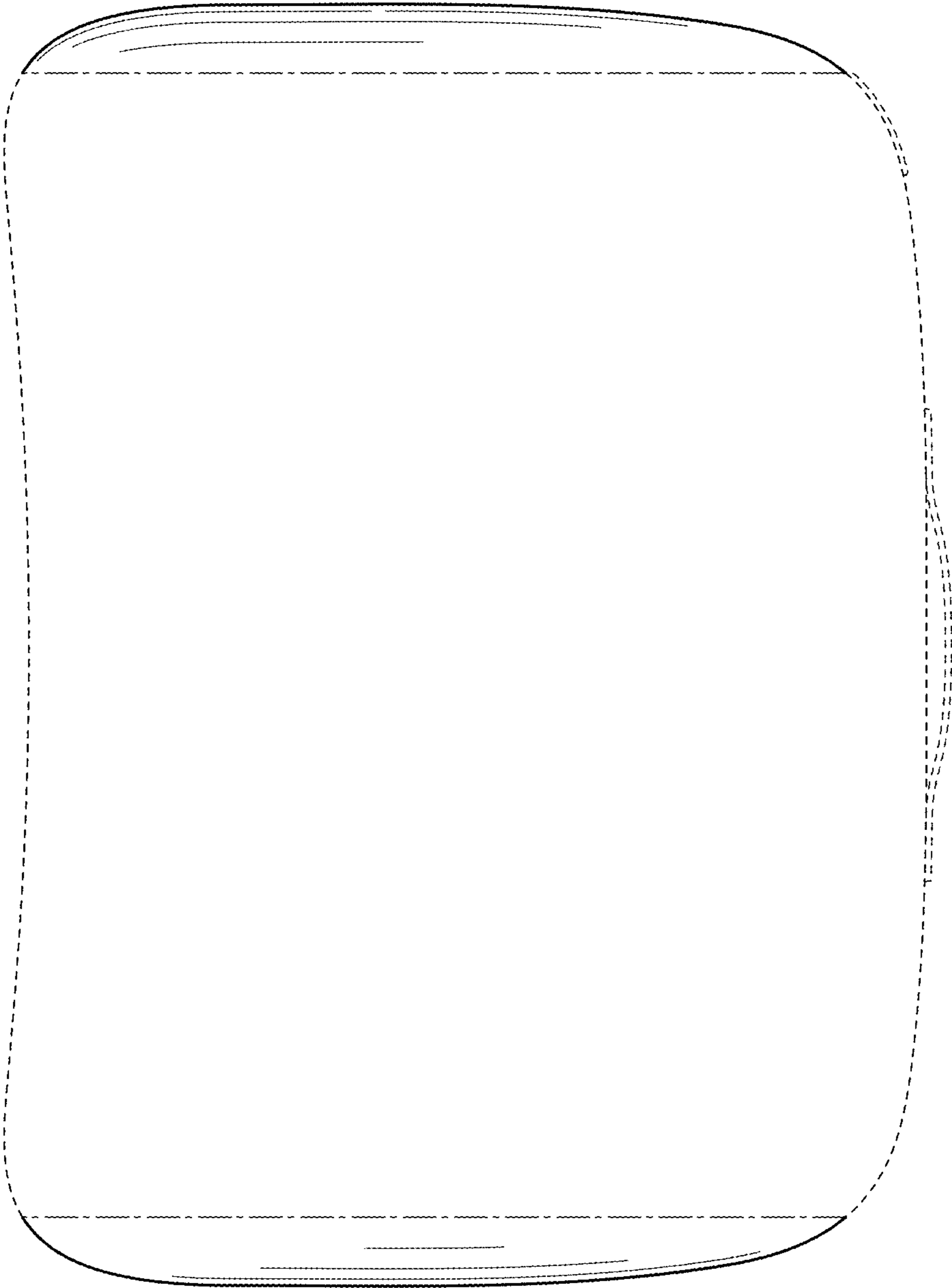


FIG. 7

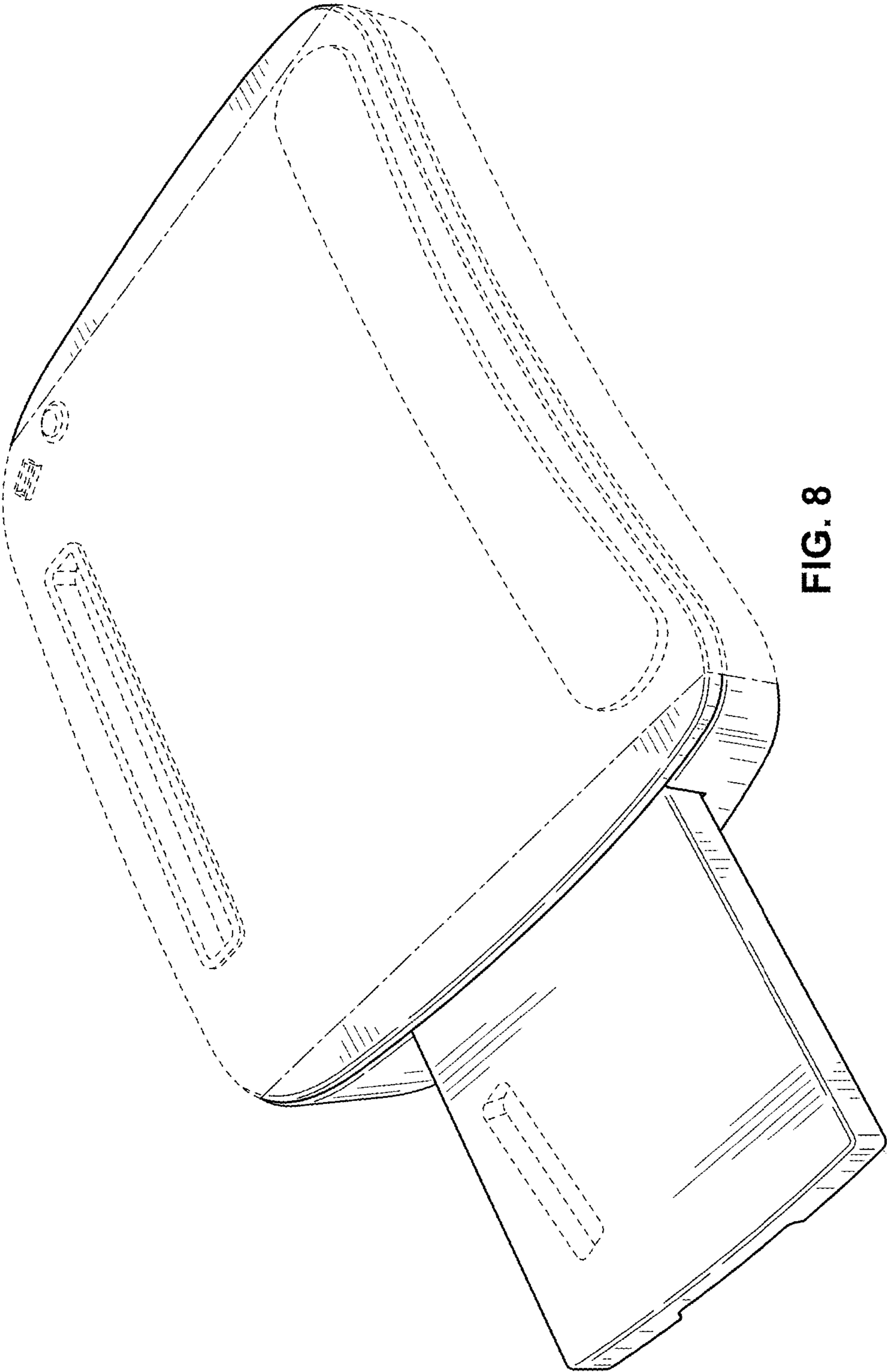


FIG. 8

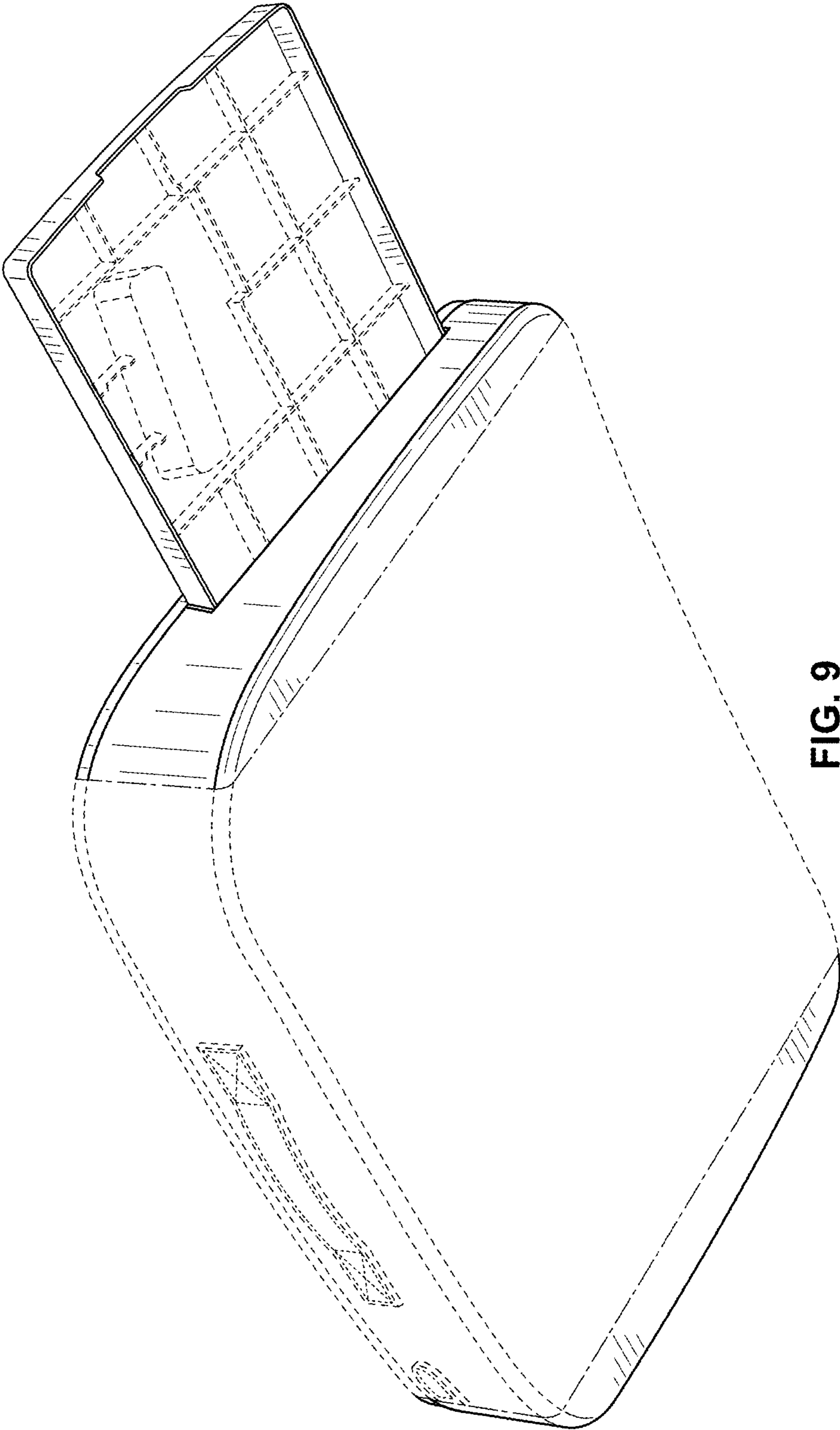


FIG. 9

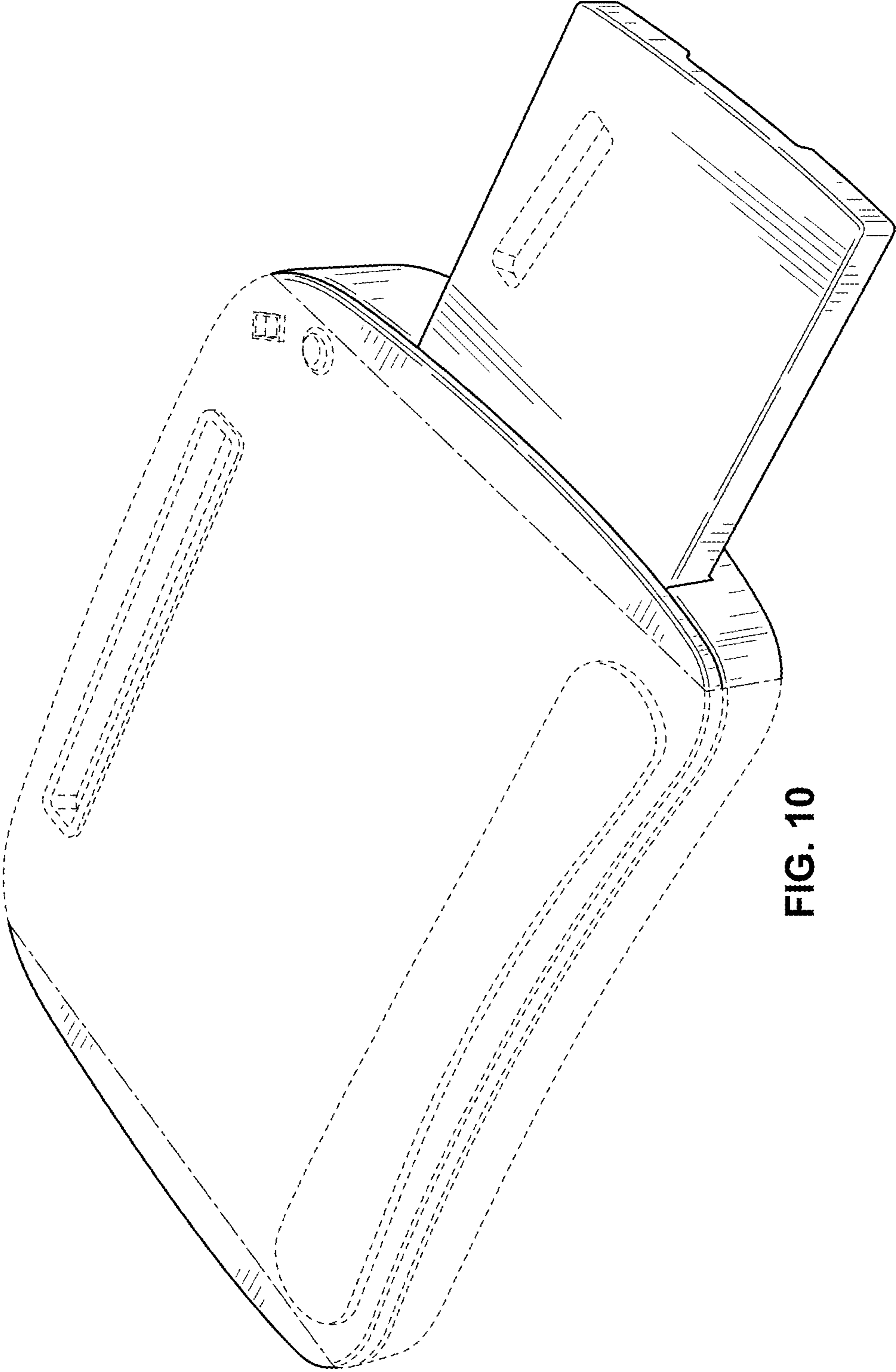


FIG. 10

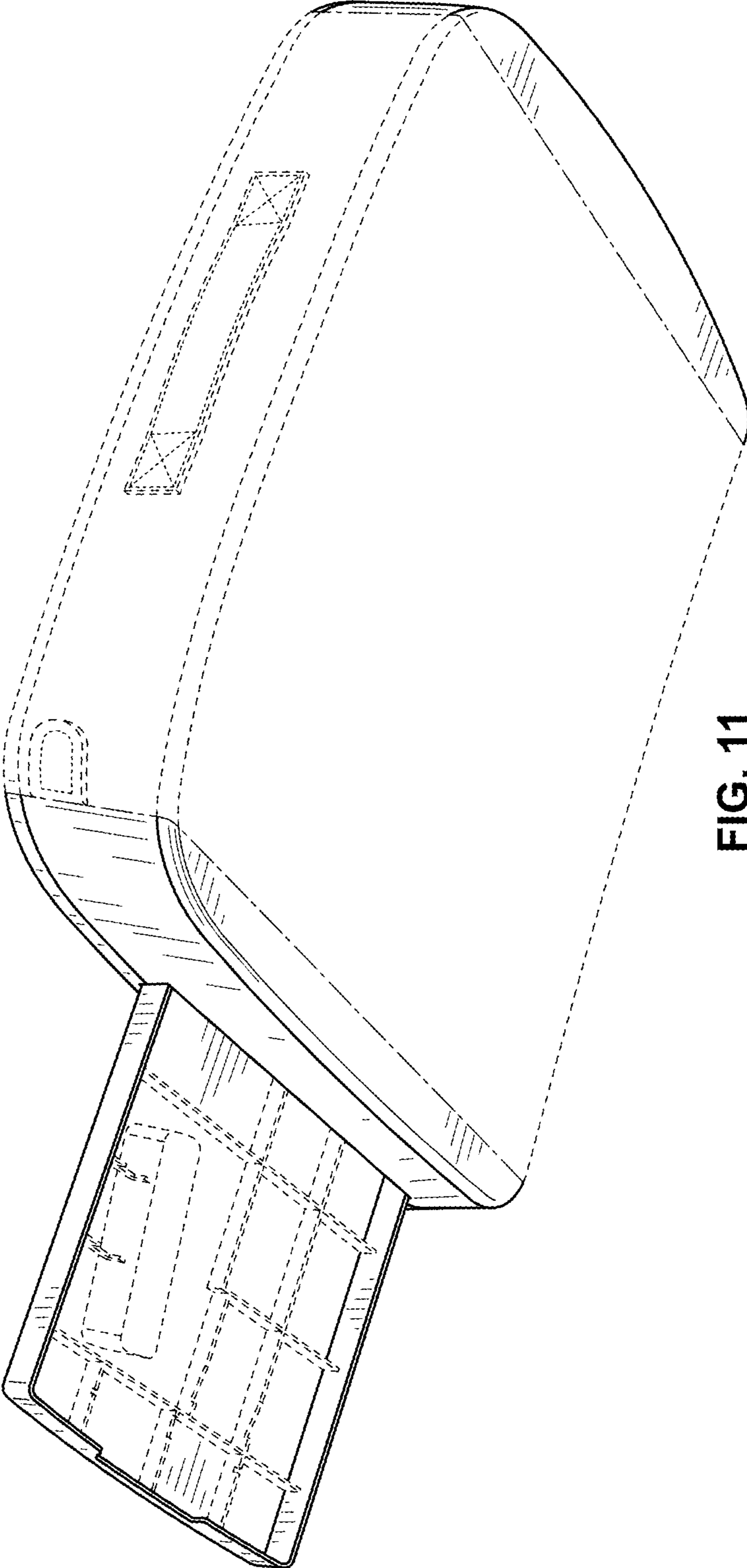


FIG. 11