



US00D772595S

(12) **United States Design Patent**
Calegari

(10) **Patent No.:** **US D772,595 S**

(45) **Date of Patent:** **** Nov. 29, 2016**

(54) **AIRPLANE BED**

(71) Applicant: **Silvio M. Calegari**, Irvine, CA (US)

(72) Inventor: **Silvio M. Calegari**, Irvine, CA (US)

(**) Term: **15 Years**

(21) Appl. No.: **29/535,861**

(22) Filed: **Aug. 11, 2015**

(51) **LOC (10) Cl.** **06-02**

(52) **U.S. Cl.**
USPC **D6/388**; D6/384

(58) **Field of Classification Search**
USPC D6/382, 383, 384, 388, 718.15, 718.18
See application file for complete search history.

(56) **References Cited**

U.S. PATENT DOCUMENTS

D284,334 S *	6/1986	Jao	5/93.1
4,888,837 A *	12/1989	Wang	A47D 7/00 446/220
D313,322 S *	1/1991	Ventulett	D12/97
6,578,214 B2 *	6/2003	Peftoulidis	A47C 17/86 5/2.1
6,675,408 B1 *	1/2004	Mason	A47D 7/00 5/2.1

OTHER PUBLICATIONS

Houzz Airplane Bed Photos, Houzz.com, earliest review date Mar. 28, 2013, site visited Aug. 31, 2016, available from internet: <URL: <http://www.houzz.com/photos/585496/Kids-rooms-eclectic-kids-chicago>>.*

KidKraft Airplane Toddler Bed, Amazon.com, earliest review date Aug. 25, 2014, site visited Aug. 31, 2016, available from internet: <URL: <https://www.amazon.com/KidKraft-76269-Airplane-Toddler-Bed/dp/B00IEH9FQG>>.*

* cited by examiner

Primary Examiner — Cathron Brooks

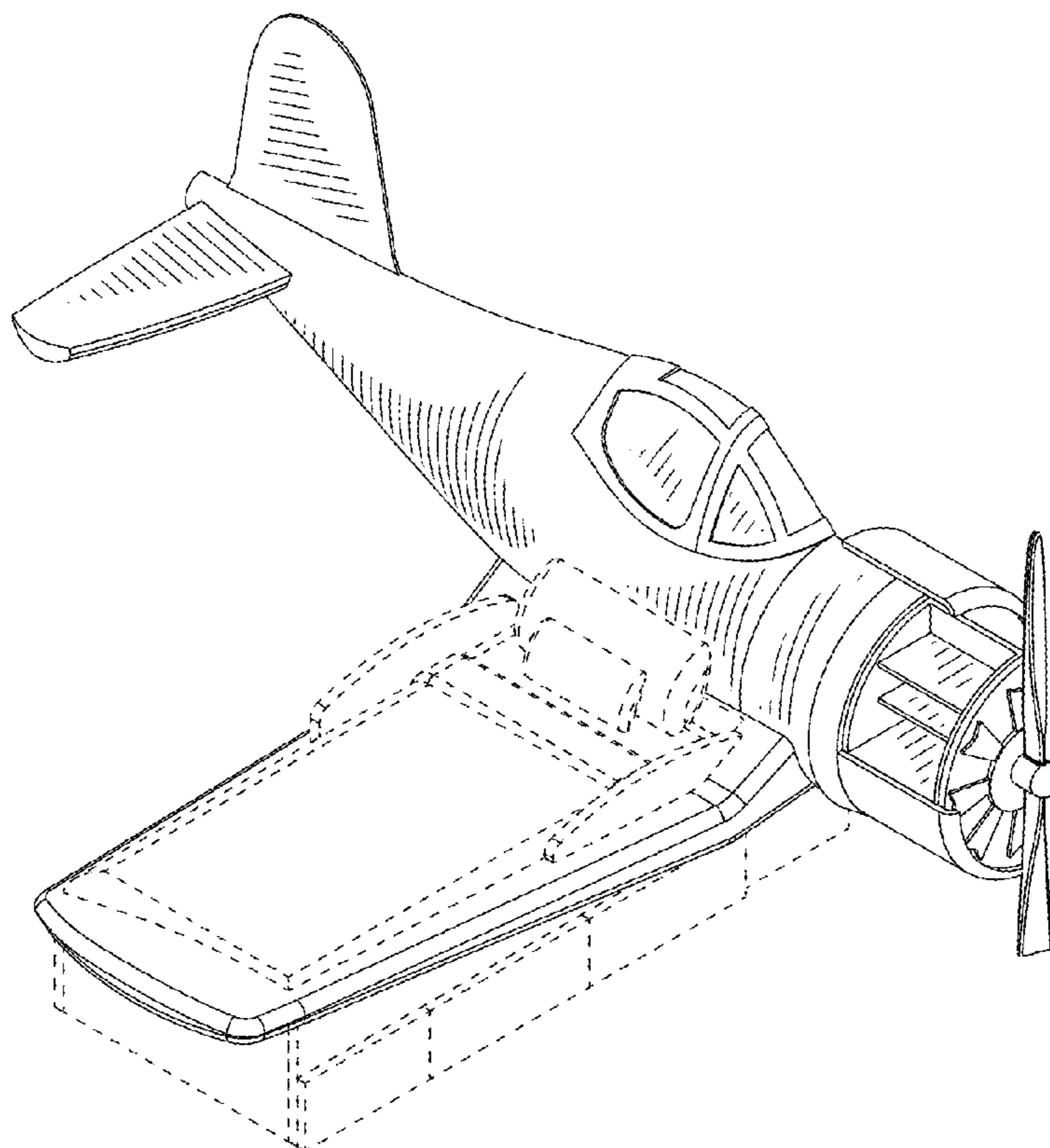
(57) **CLAIM**

The ornamental design for an airplane bed, as shown and described.

DESCRIPTION

FIG. 1 is a perspective view of an airplane bed;
FIG. 2 is a front elevation view thereof;
FIG. 3 is a rear elevation view thereof;
FIG. 4 is a left side elevation view thereof;
FIG. 5 is a right side elevation view thereof;
FIG. 6 is a top plan view thereof; and,
FIG. 7 is a bottom plan view thereof.
The broken lines shown in the drawings illustrate portions of the airplane bed that form no part of the claimed design.

1 Claim, 4 Drawing Sheets



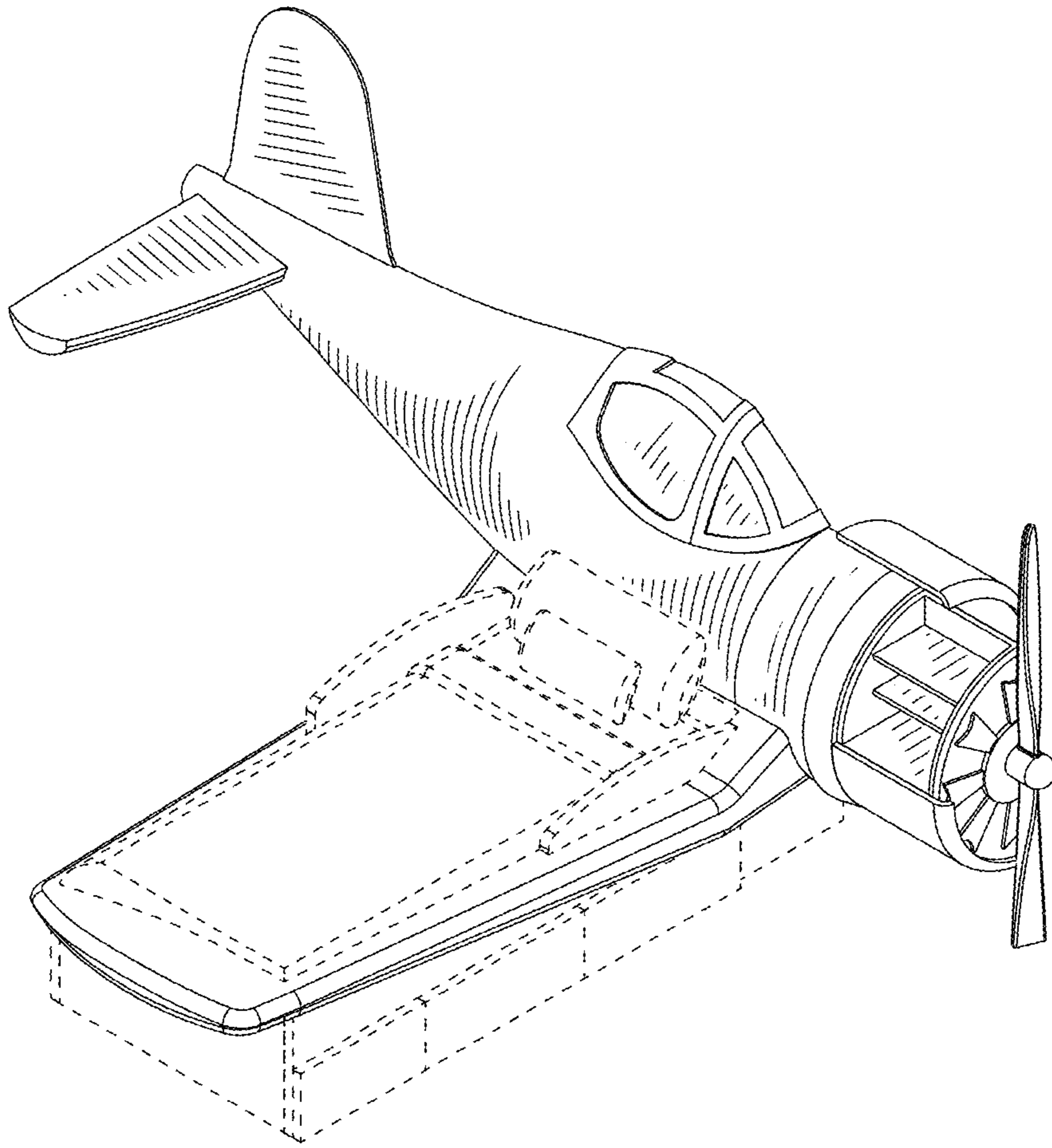


FIG. 1

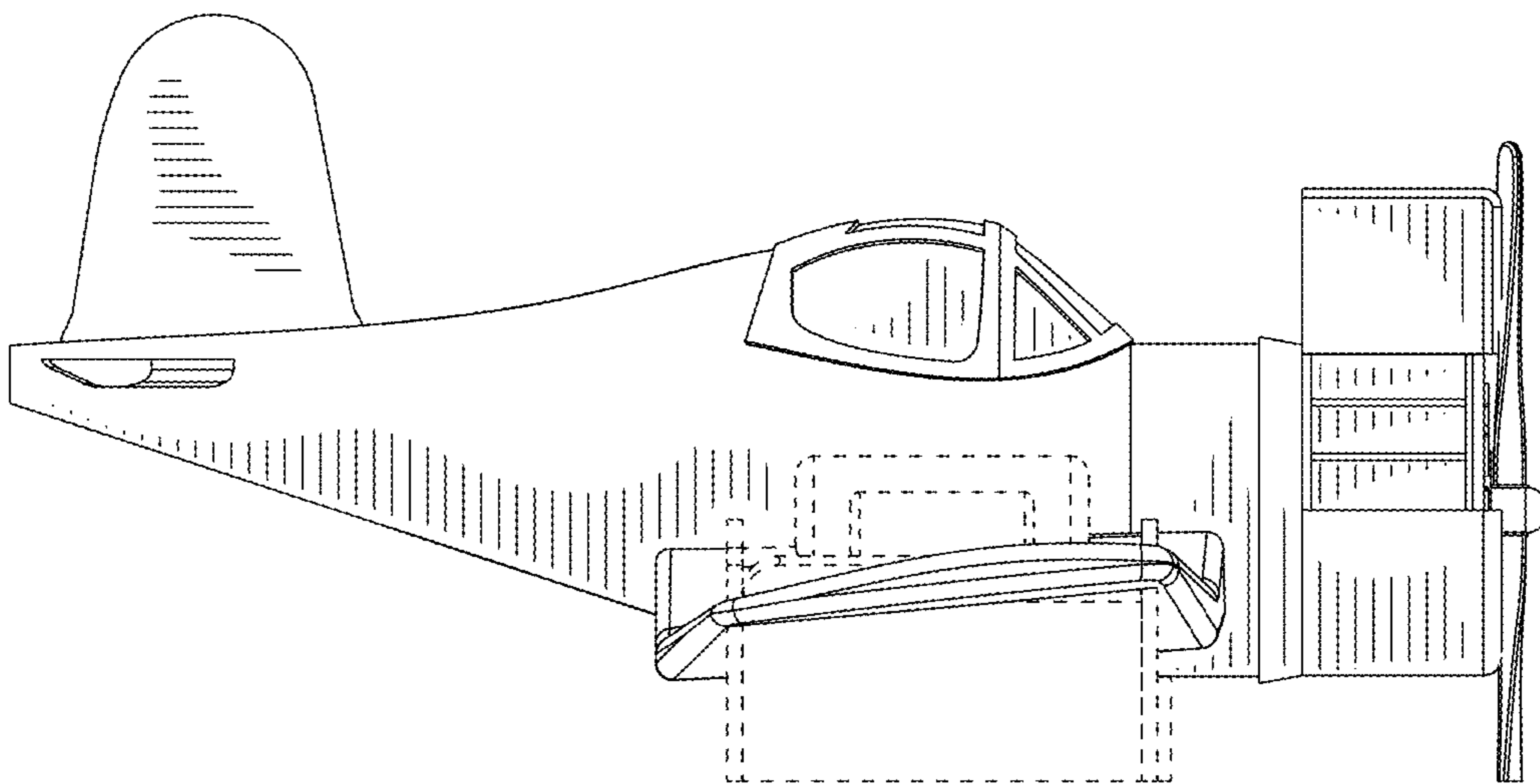


FIG. 2

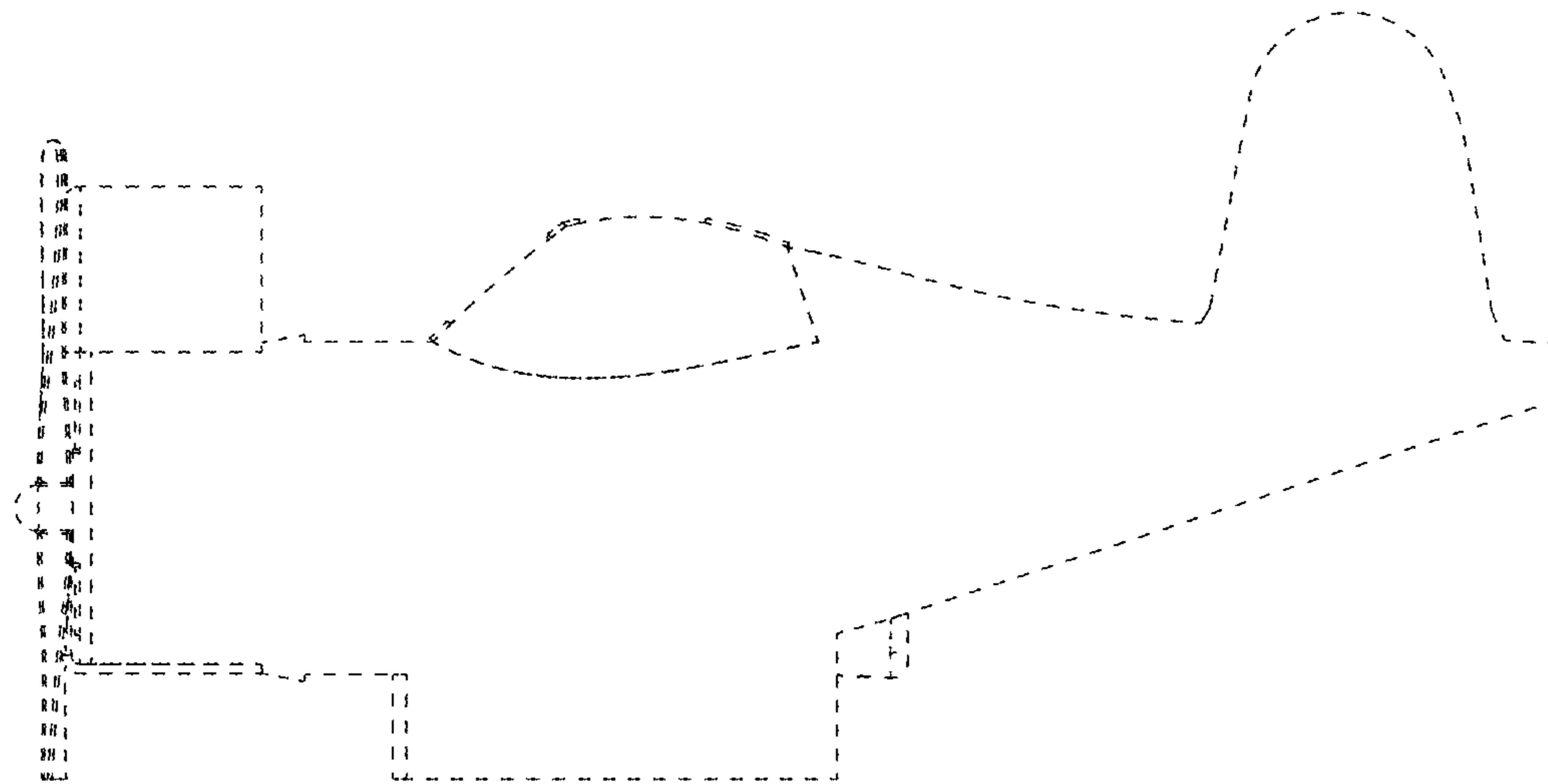


FIG. 3

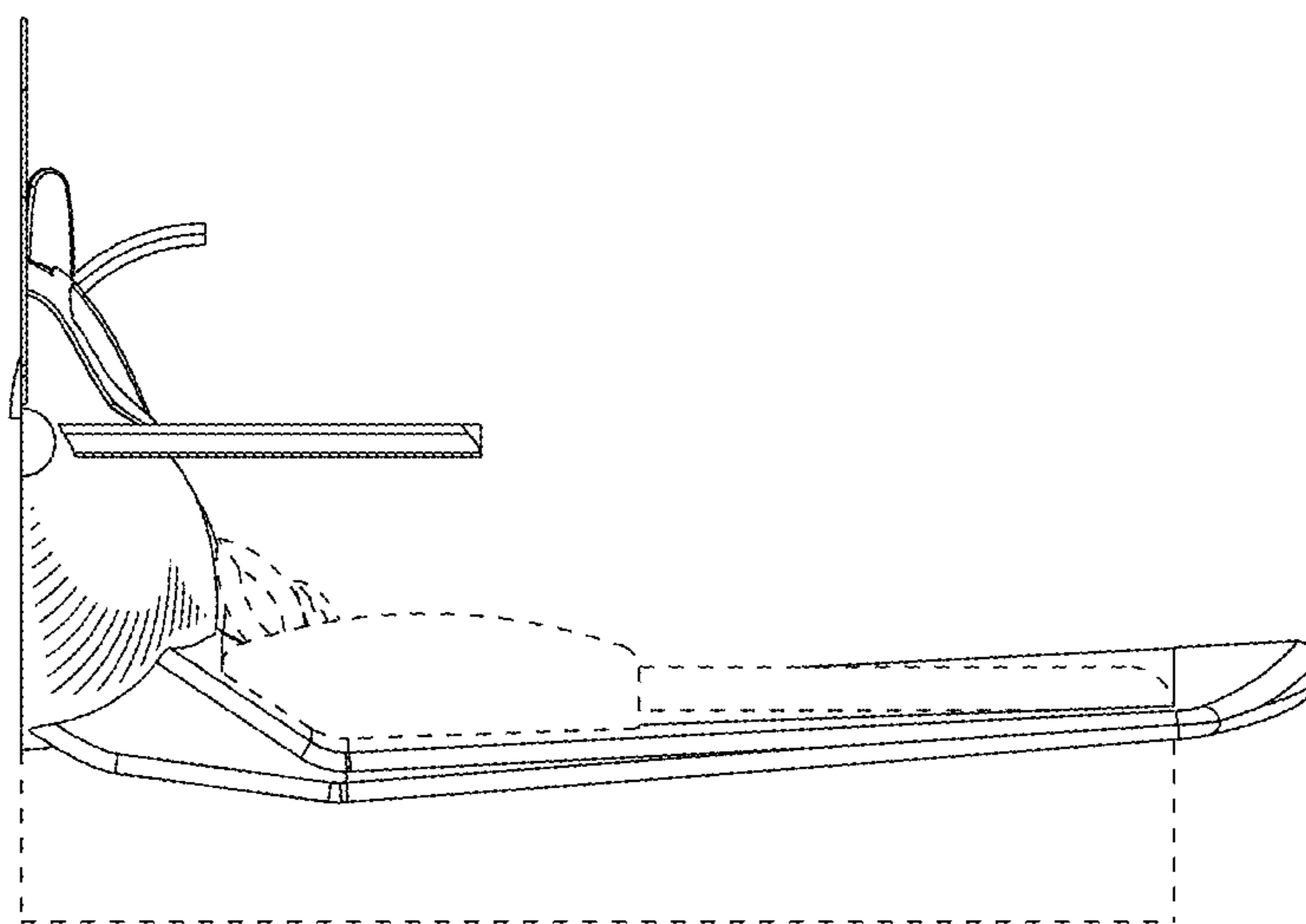


FIG. 4

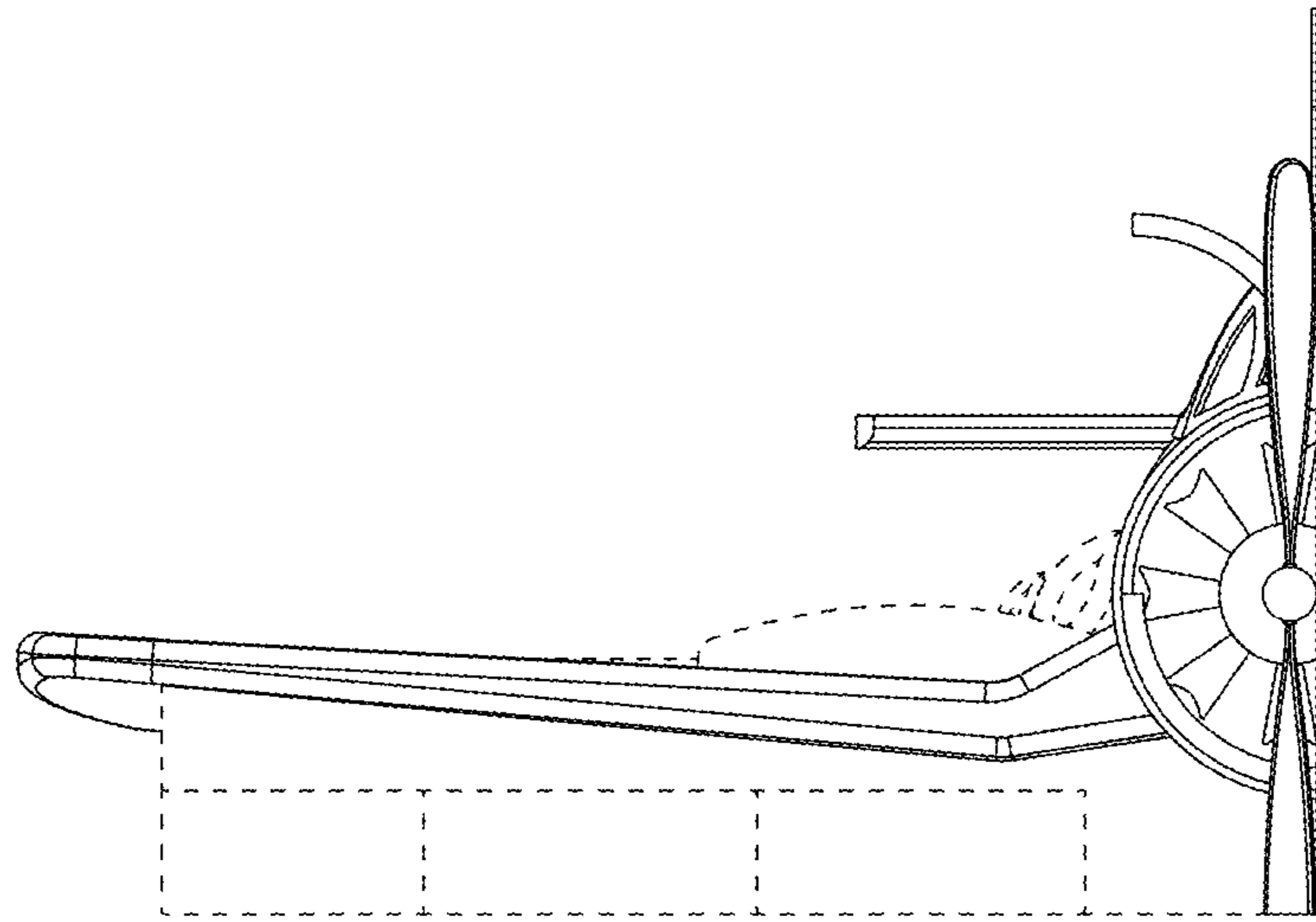


FIG. 5

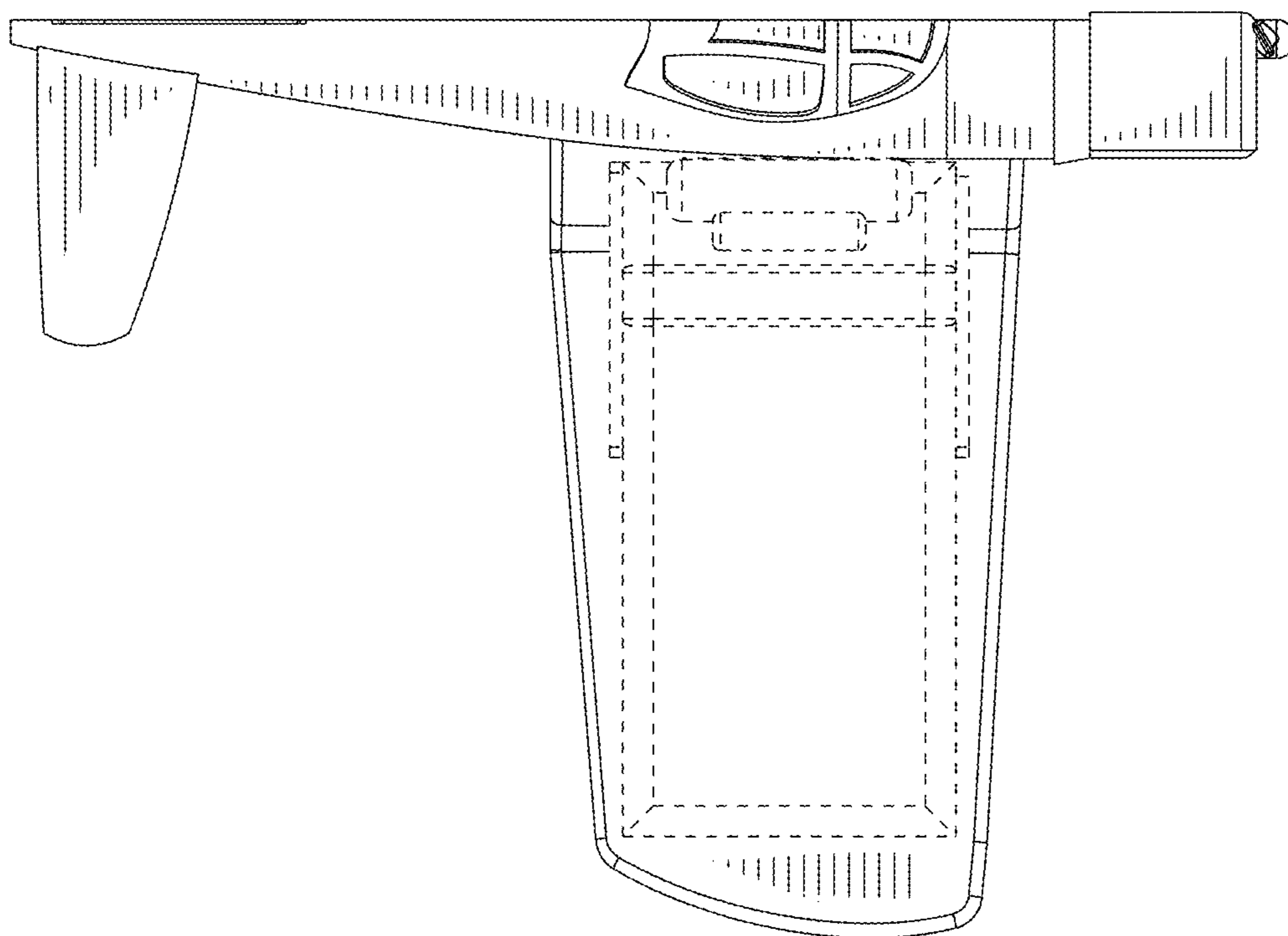


FIG. 6

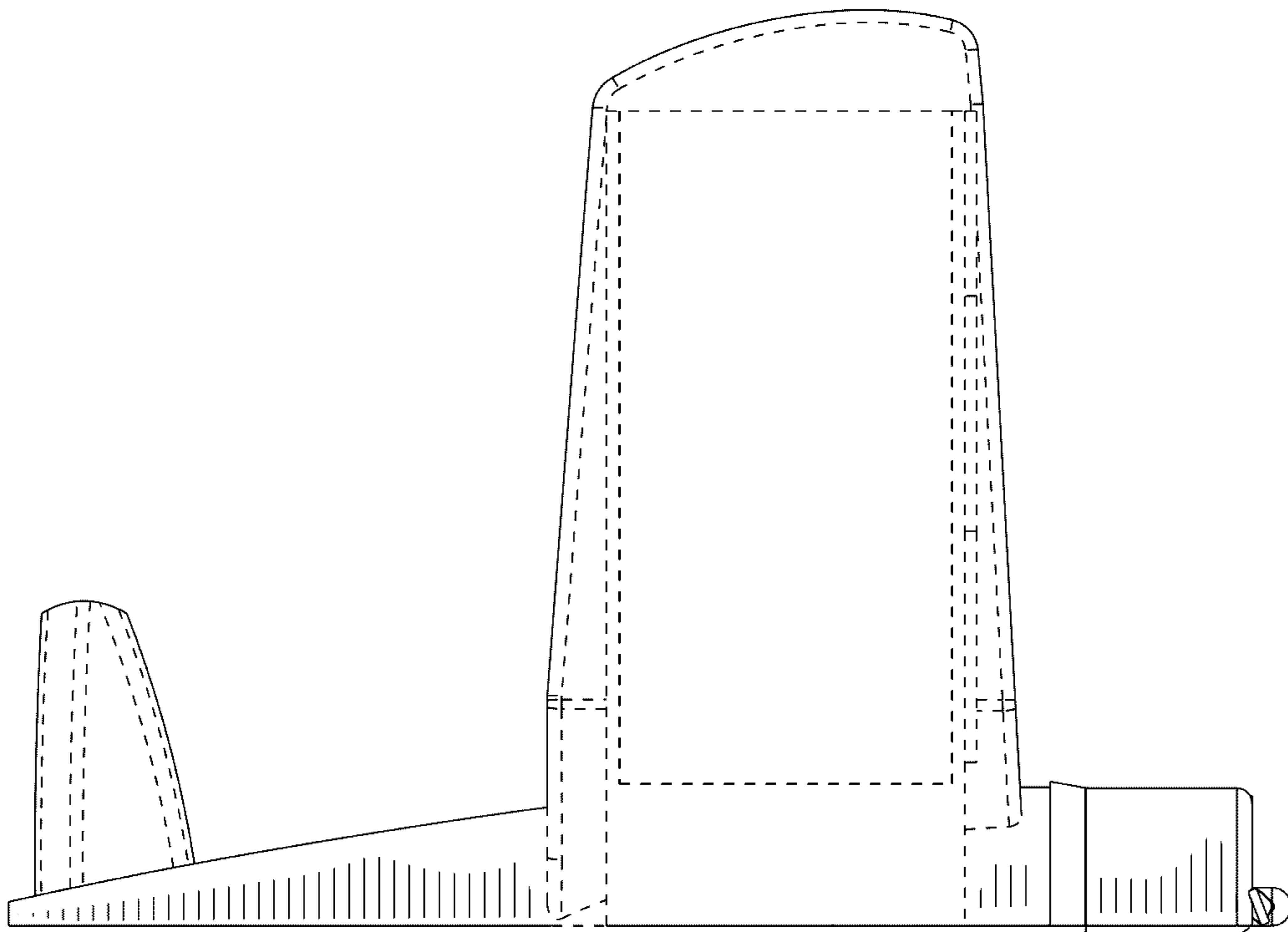


FIG. 7