



US00D772588S

(12) **United States Design Patent** (10) **Patent No.:** **US D772,588 S**  
**Kim** (45) **Date of Patent:** **\*\* \*Nov. 29, 2016**

(54) **TABLE WITH BUILT IN COOLER**

(71) Applicant: **Byung Chul Kim**, Ulsan (KR)

(72) Inventor: **Byung Chul Kim**, Ulsan (KR)

(\*) Notice: This patent is subject to a terminal disclaimer.

(\*\*) Term: **14 Years**

(21) Appl. No.: **29/510,217**

(22) Filed: **Nov. 25, 2014**

(51) **LOC (10) Cl.** ..... **06-01**

(52) **U.S. Cl.**  
USPC ..... **D6/337**

(58) **Field of Classification Search**

USPC ..... D6/334, 335, 336, 379, 381, 369, 349,  
D6/370, 337, 338, 685, 686, 687; 297/94,  
297/118, 232, 445.1, 448.1, DIG. 7  
CPC ..... A47C 17/00; A47C 17/02; A47C 17/12;  
A47C 17/18; A47C 7/021; A47C 31/00;  
A47C 3/16

See application file for complete search history.

(56) **References Cited**

**U.S. PATENT DOCUMENTS**

D102,971 S *	1/1937	Hale	.....	D6/336
D316,639 S *	5/1991	Adler	.....	D6/686
D327,376 S *	6/1992	Piccamiglio	.....	D6/358
D367,184 S *	2/1996	Tolfson	.....	D6/337
6,045,193 A *	4/2000	Johnson	.....	297/423.41
D459,097 S *	6/2002	Liu	.....	D6/336
D627,981 S *	11/2010	Shen	.....	D6/338
D650,179 S *	12/2011	Rooth	.....	D6/338

D650,180 S *	12/2011	Rooth	.....	D6/338
D655,519 S *	3/2012	Messenger	.....	D6/337
D655,520 S *	3/2012	Messenger	.....	D6/337
D672,976 S *	12/2012	Migeon	.....	D6/336
D672,977 S *	12/2012	Lade	.....	D6/336
D673,380 S *	1/2013	Lade	.....	D6/336
D687,644 S *	8/2013	Jhaveri et al.	.....	D6/686

\* cited by examiner

*Primary Examiner* — Sandra Snapp

(74) *Attorney, Agent, or Firm* — Revolution IP, PLLC

(57) **CLAIM**

The ornamental design for a “table with built in cooler,” as shown and described.

**DESCRIPTION**

FIG. 1 is a perspective view of table with built in cooler showing my new design;  
FIG. 2 is a front view thereof;  
FIG. 3 is a rear view thereof;  
FIG. 4 is a left side view thereof;  
FIG. 5 is a right side view thereof;  
FIG. 6 is a top view thereof;  
FIG. 7 is a bottom view thereof;  
FIG. 8 is a partially exploded view thereof, which illustrates a chair separated from the table and bottles put in the cooler; and,  
FIG. 9 is another perspective view thereof, which shows a bottom of the cooler of the table.  
The broken line showing the bottles in FIG. 8 is for the purpose of illustrating environmental structure and forms no part of the claimed design.

**1 Claim, 9 Drawing Sheets**

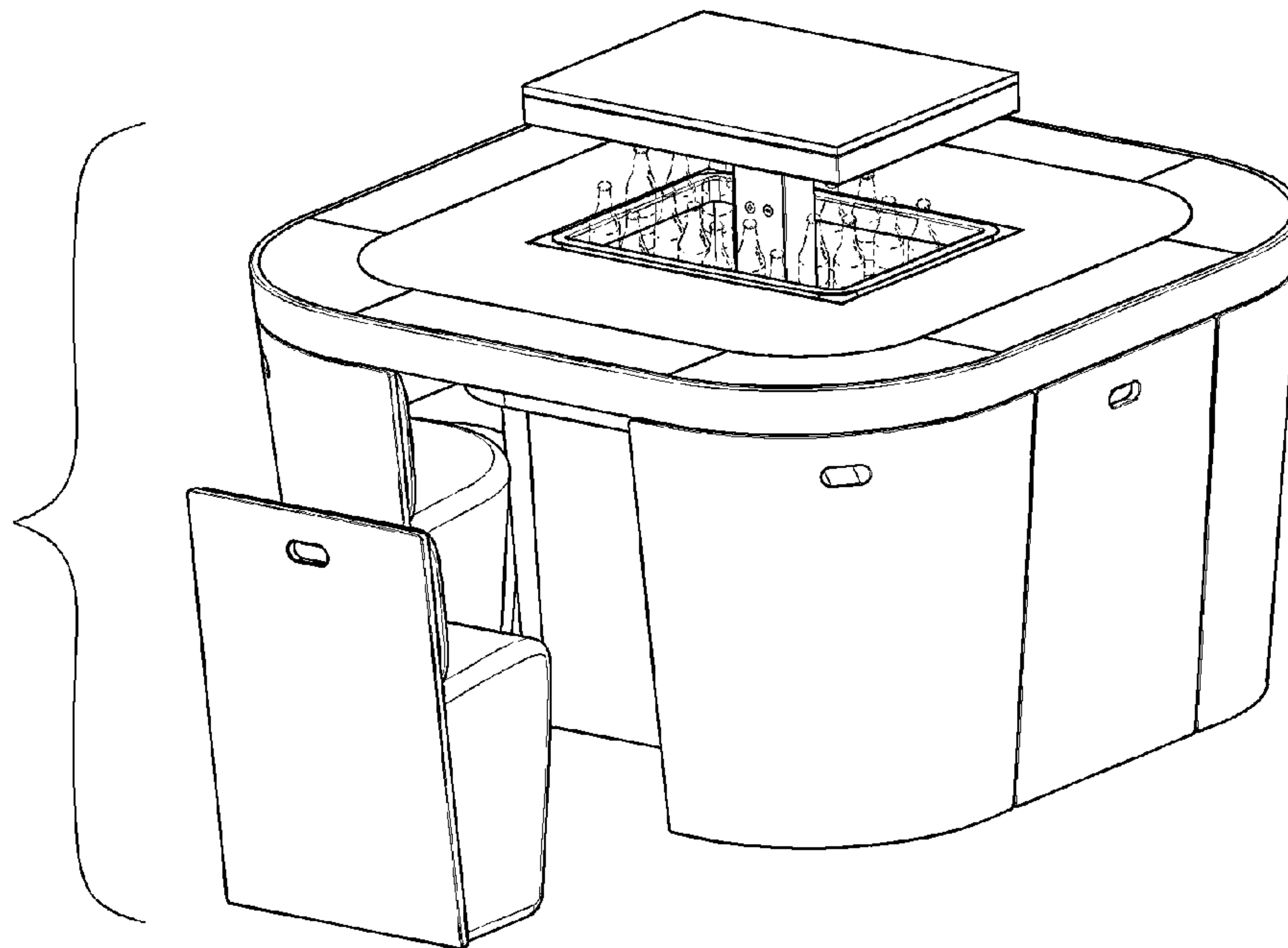


FIG. 1

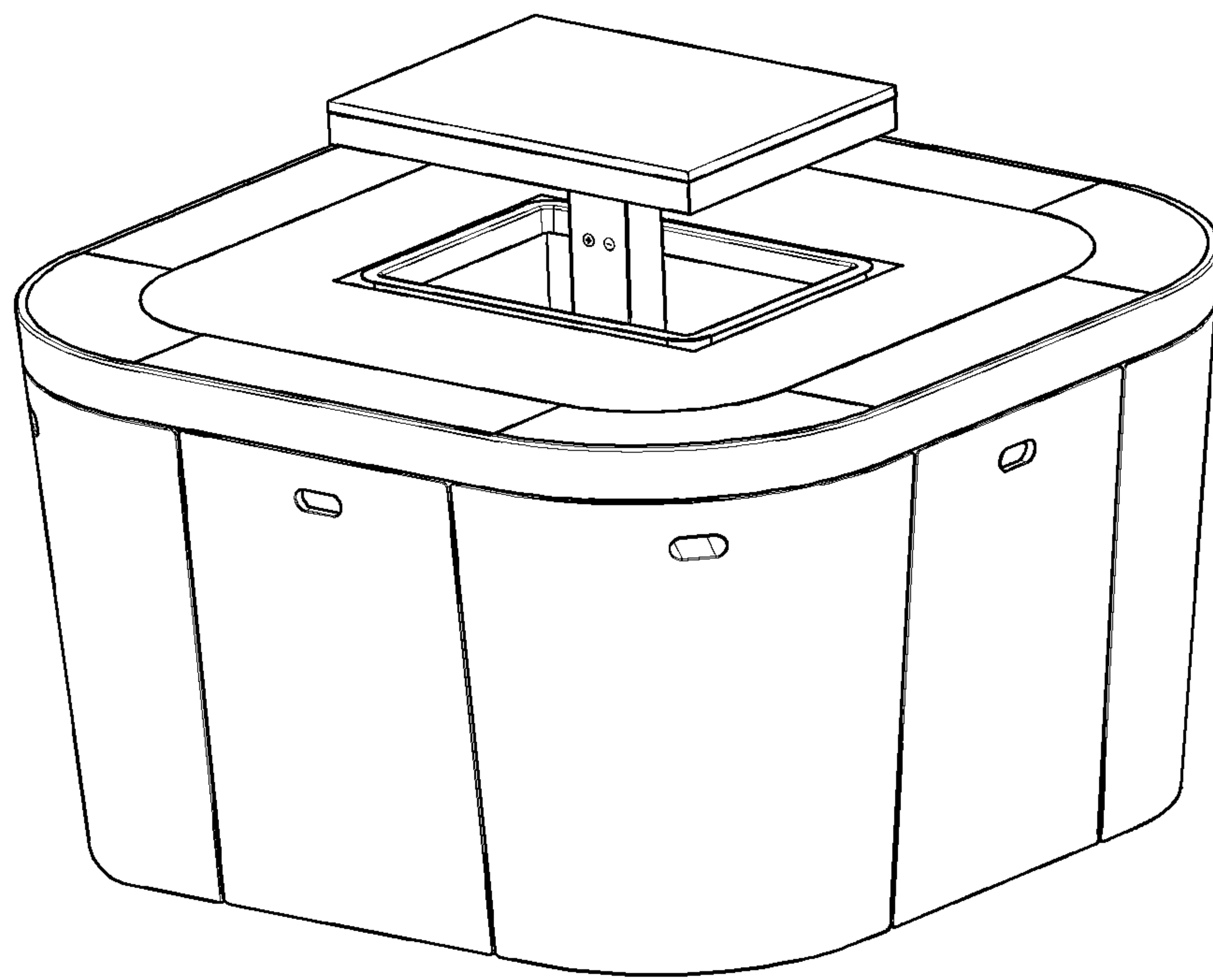


FIG. 2

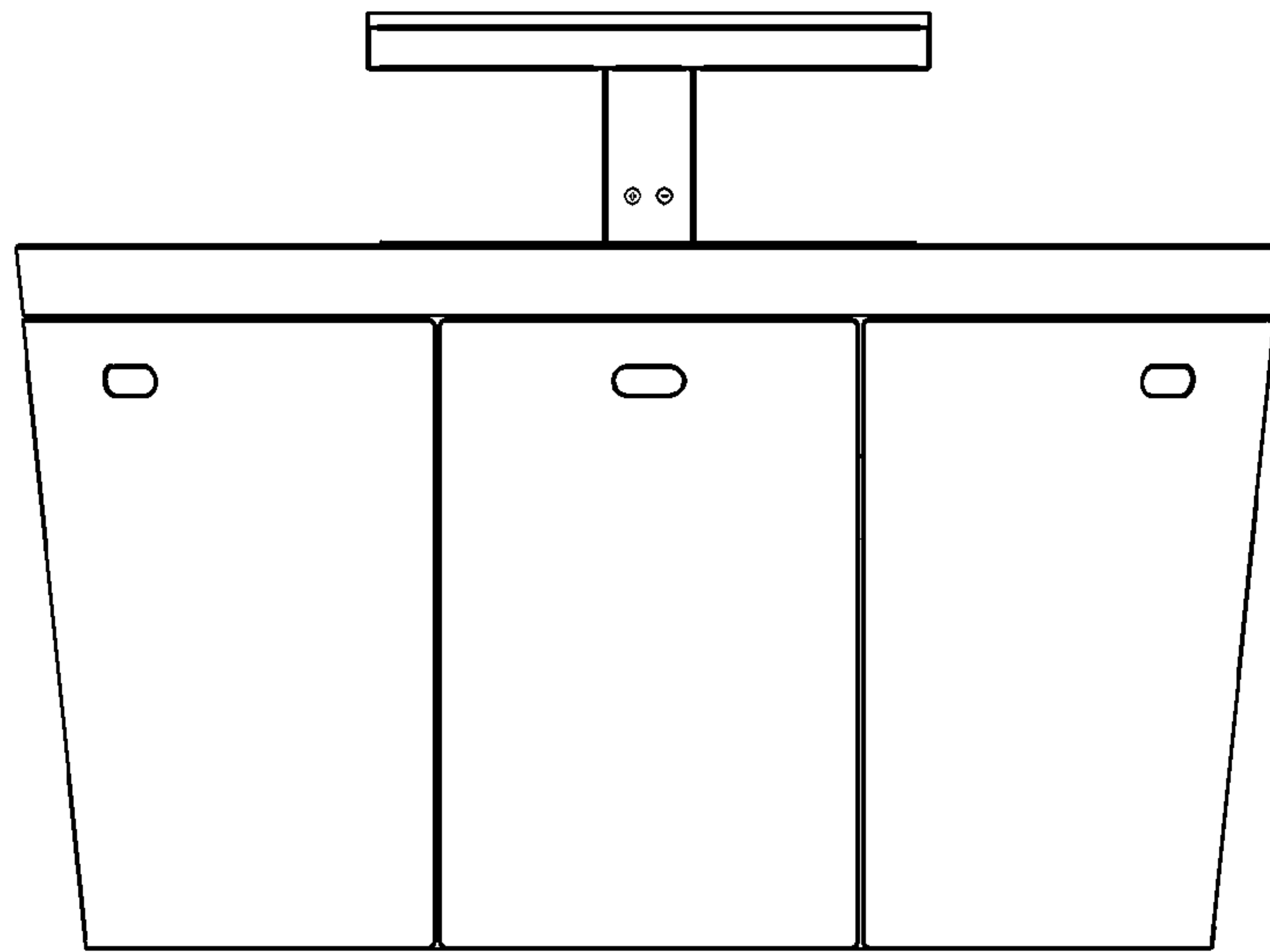


FIG. 3

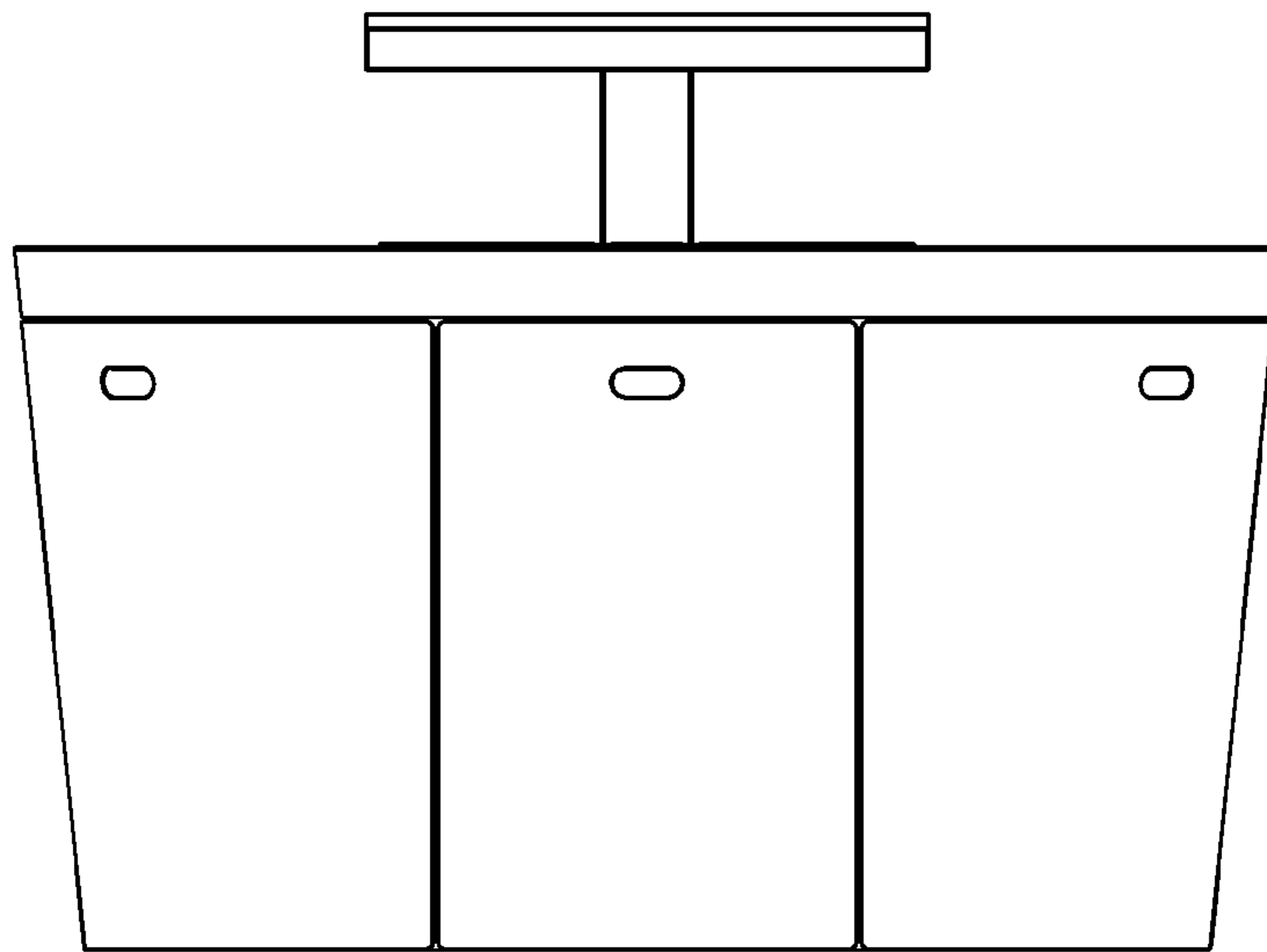


FIG. 4

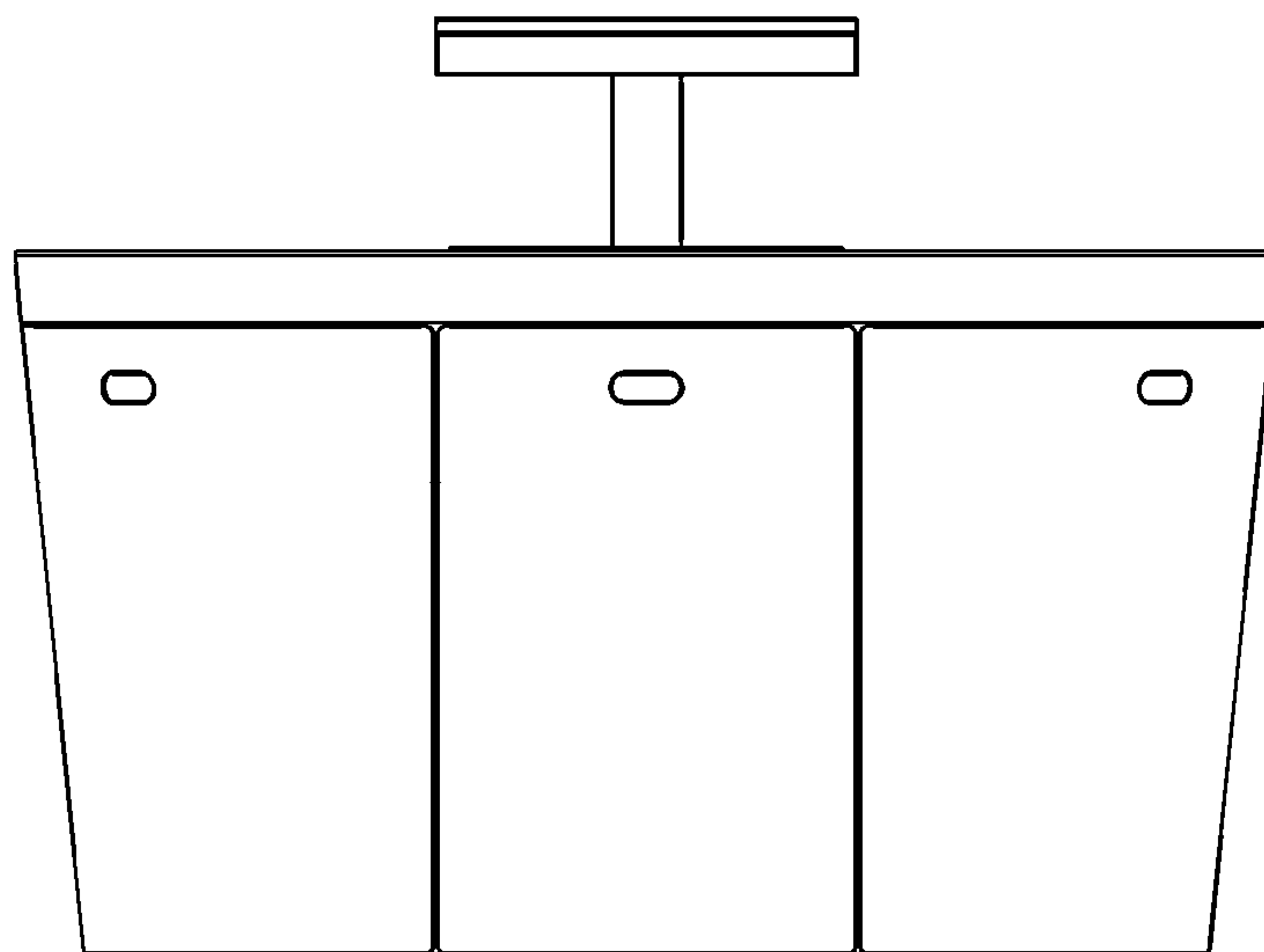


FIG. 5

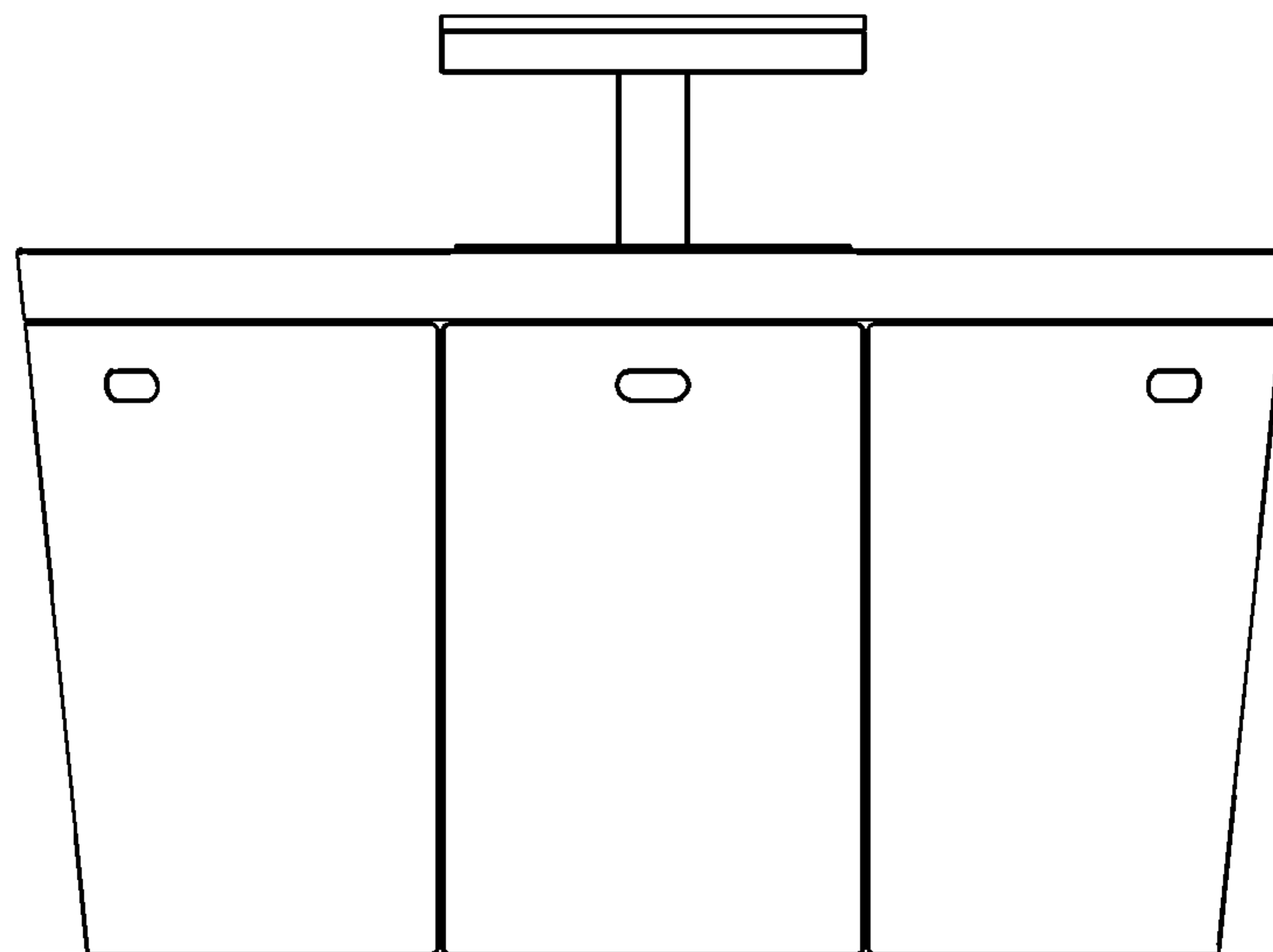


FIG. 6

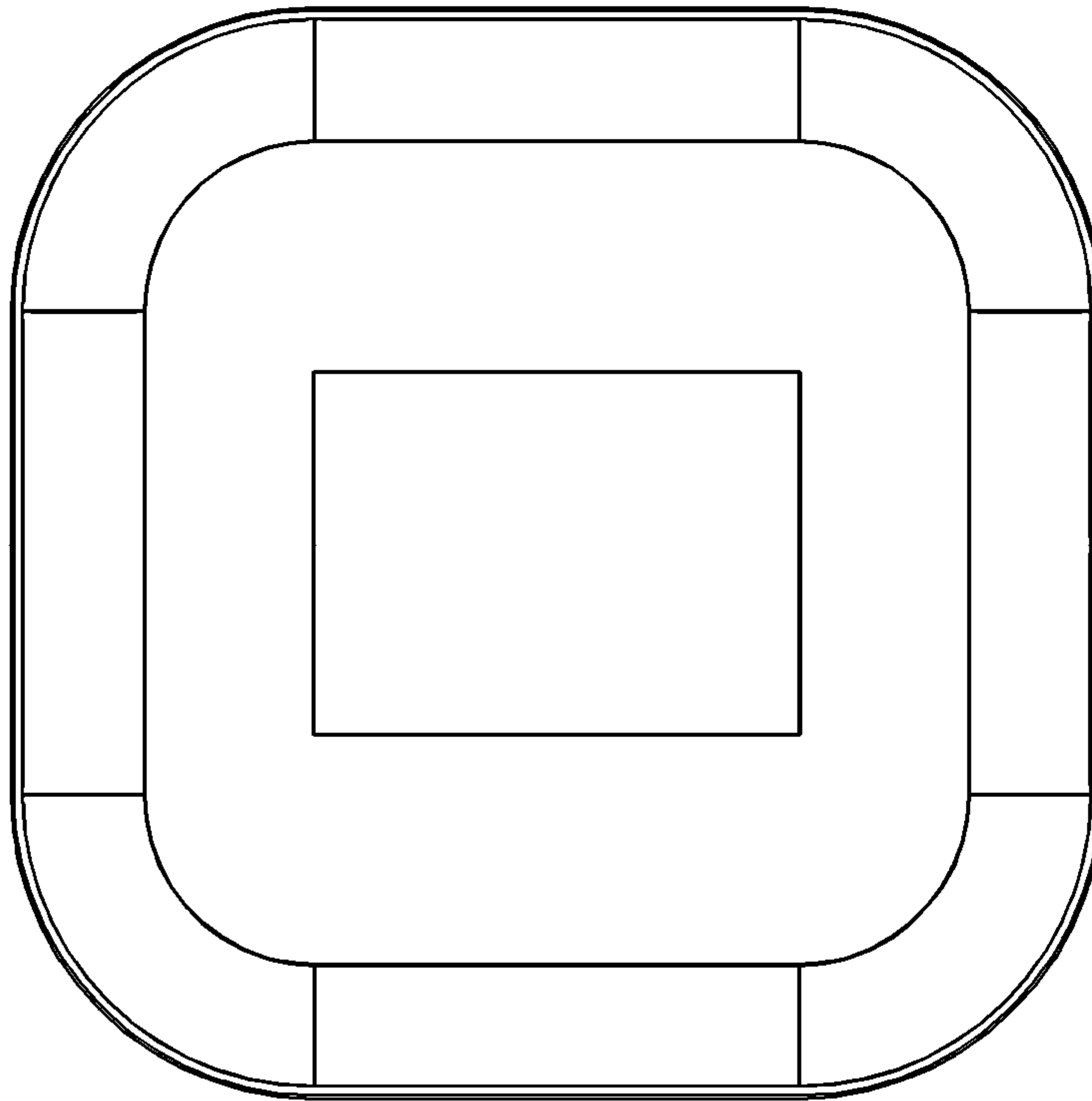


FIG. 7

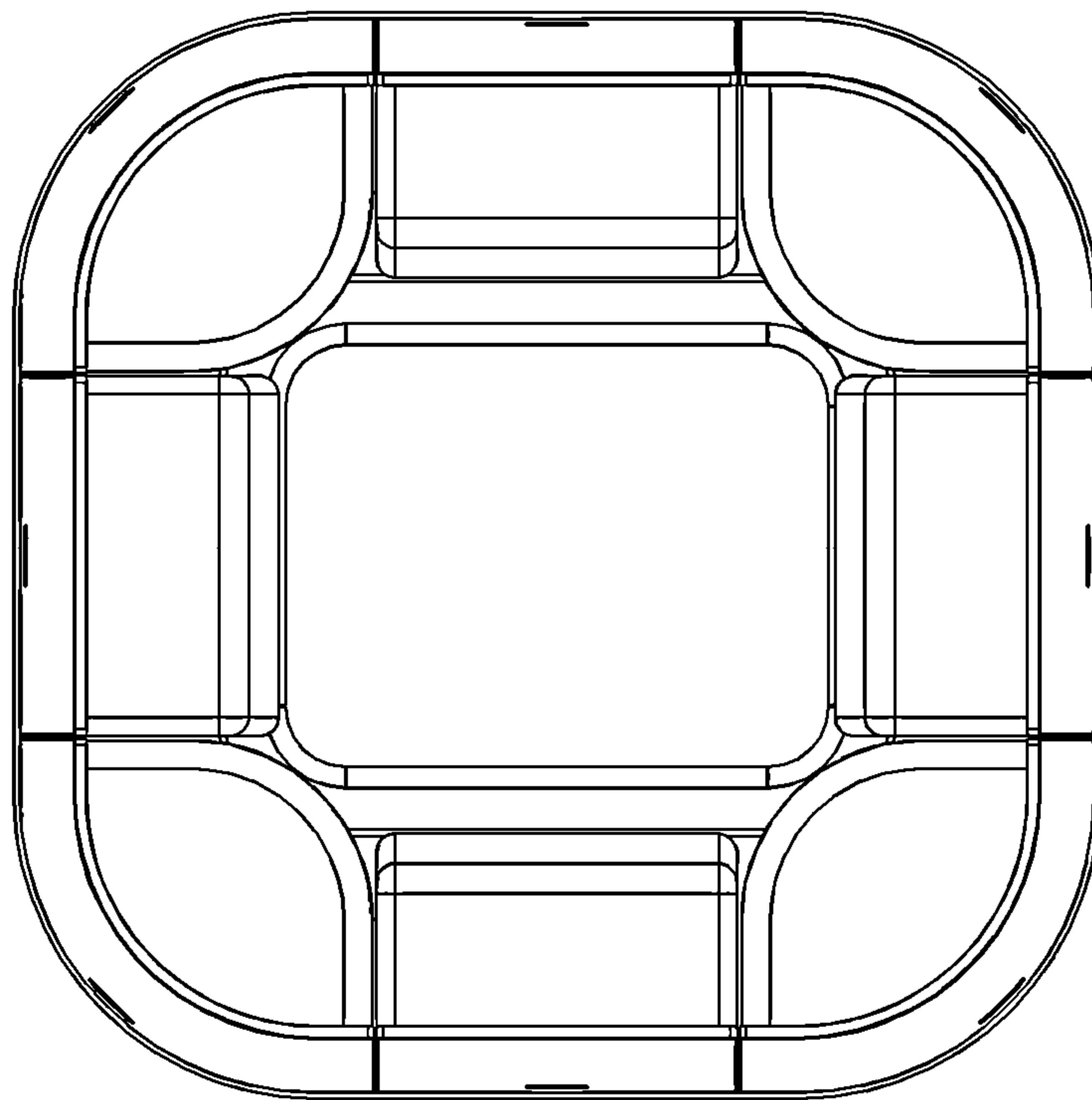




FIG. 8

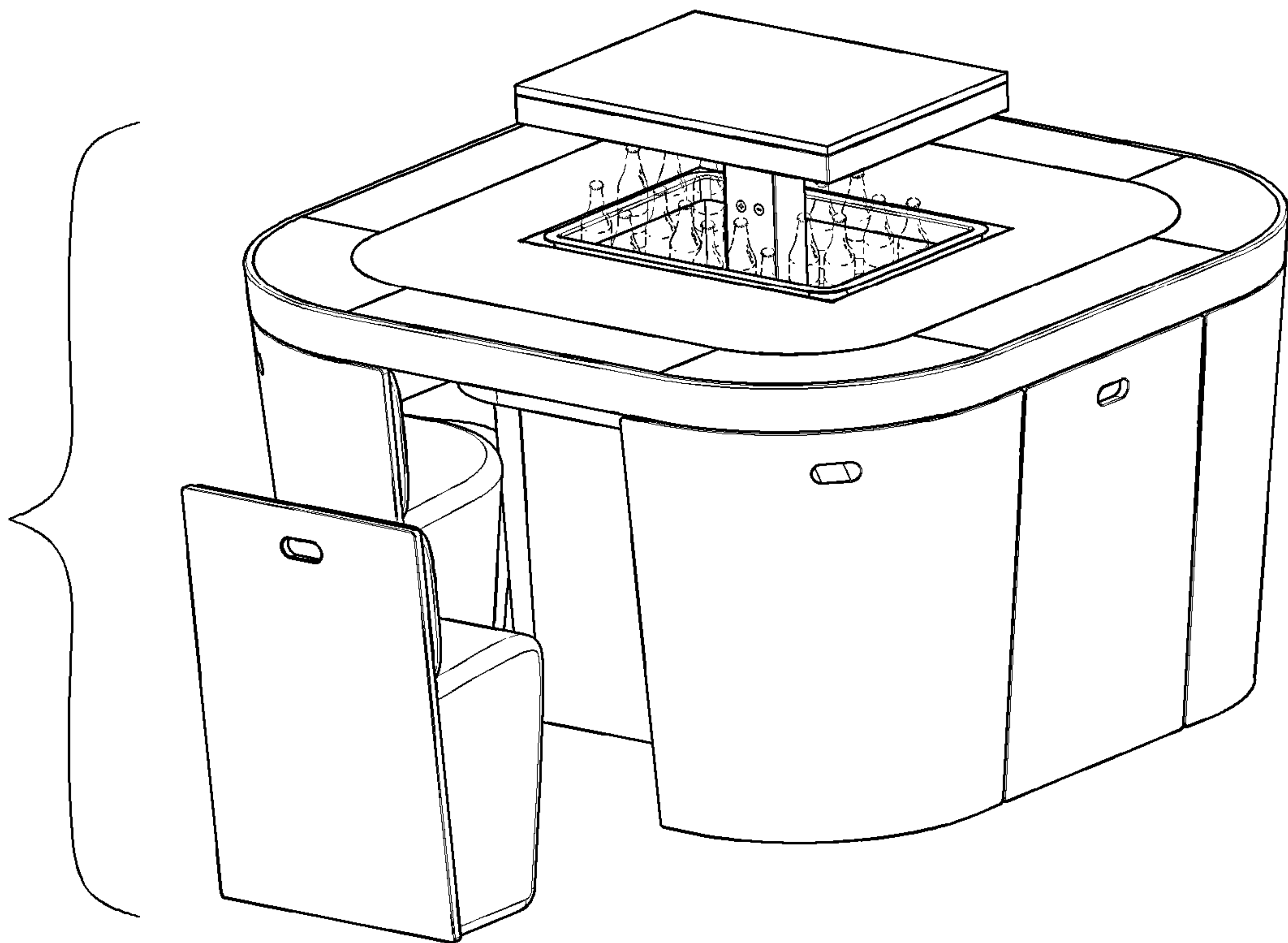


FIG. 9

