



US00D772585S

(12) **United States Design Patent**
Leigh et al.

(10) **Patent No.:** **US D772,585 S**

(45) **Date of Patent:** **** Nov. 29, 2016**

(54) **HANGER**

(71) Applicants: **Hilary Gayle Koudounaris**,
Johannesburg (ZA); **Trevor**
Wasserman, Johannesburg (ZA)

(72) Inventors: **Rafi M. Leigh**, Randburg (ZA); **Bruce**
Humphrey, Durbanville (ZA); **Marco**
Prieschi, Randburg (ZA); **Hilary Gayle**
Koudounaris, Johannesburg (ZA)

(73) Assignees: **Hilary Gayle Koudounaris**,
Johannesburg (ZA); **Trevor**
Wasserman, Johannesburg (ZA)

(**) Term: **14 Years**

(21) Appl. No.: **29/515,337**

(22) Filed: **Jan. 22, 2015**

(51) **LOC (10) Cl.** **06-08**

(52) **U.S. Cl.**
USPC **D6/319**

(58) **Field of Classification Search**

USPC D6/315-328; 223/85-98; 211/10, 13.1,
211/85.3, 86.01, 87.01, 113

CPC A47G 25/14; A47G 25/28; A47G 25/26;
A47G 25/30; A47G 25/36; A47G 25/50;
A47G 25/442; A47G 25/483; A47G 25/743;
A47G 25/4023; A47F 5/0006

See application file for complete search history.

(56) **References Cited**

U.S. PATENT DOCUMENTS

1,619,992 A * 3/1927 Smith A47G 25/28
223/88
2,061,704 A * 11/1936 Israelson A47G 25/24
223/88

D149,517 S * 5/1948 Read D6/319
2,596,745 A * 5/1952 Waldman A47G 25/28
211/113
2,757,835 A * 8/1956 Scheck A47G 25/66
223/88
D202,846 S * 11/1965 Gross 223/88
4,714,183 A * 12/1987 Tontarelli A47G 25/16
223/85
6,105,835 A * 8/2000 Hatakeyama A47G 25/48
223/88
D591,055 S * 4/2009 Abdi D6/317
D630,445 S * 1/2011 Crawford D6/319
D732,840 S * 6/2015 Chiang D6/318

* cited by examiner

Primary Examiner — Derrick Holland

Assistant Examiner — Lauren Calve

(74) *Attorney, Agent, or Firm* — Haugen Law Firm PLLP

(57) **CLAIM**

The ornamental design for a hanger, as shown and described.

DESCRIPTION

FIG. 1 is a top perspective view of a hanger according to the present design;

FIG. 2 is a bottom perspective view thereof;

FIG. 3 is a rear elevational view thereof;

FIG. 4 is a front elevational view thereof;

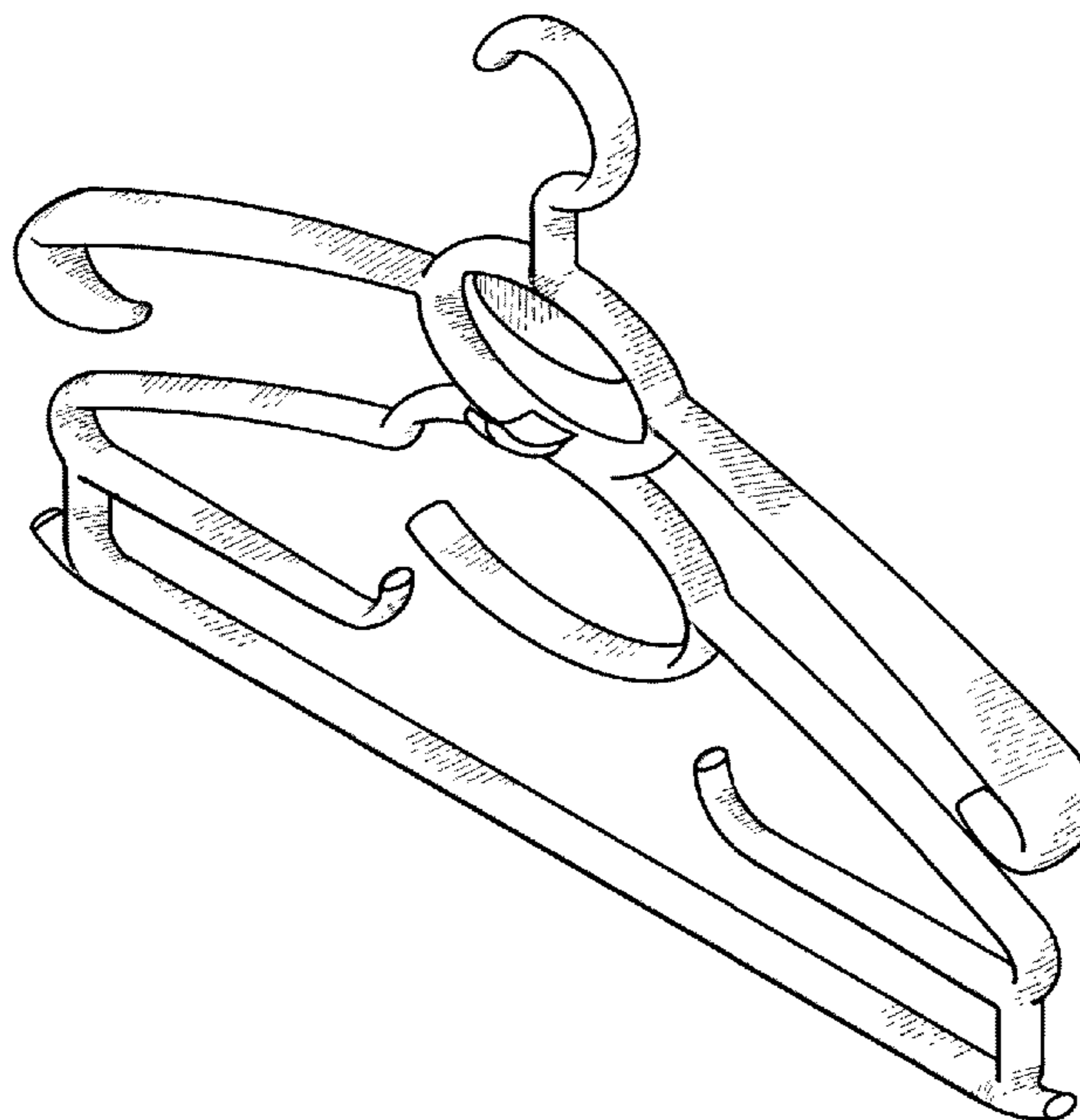
FIG. 5 is a left side elevational view thereof;

FIG. 6 is a right side elevational view thereof;

FIG. 7 is a top plan view thereof; and,

FIG. 8 is a bottom plan view thereof.

1 Claim, 4 Drawing Sheets



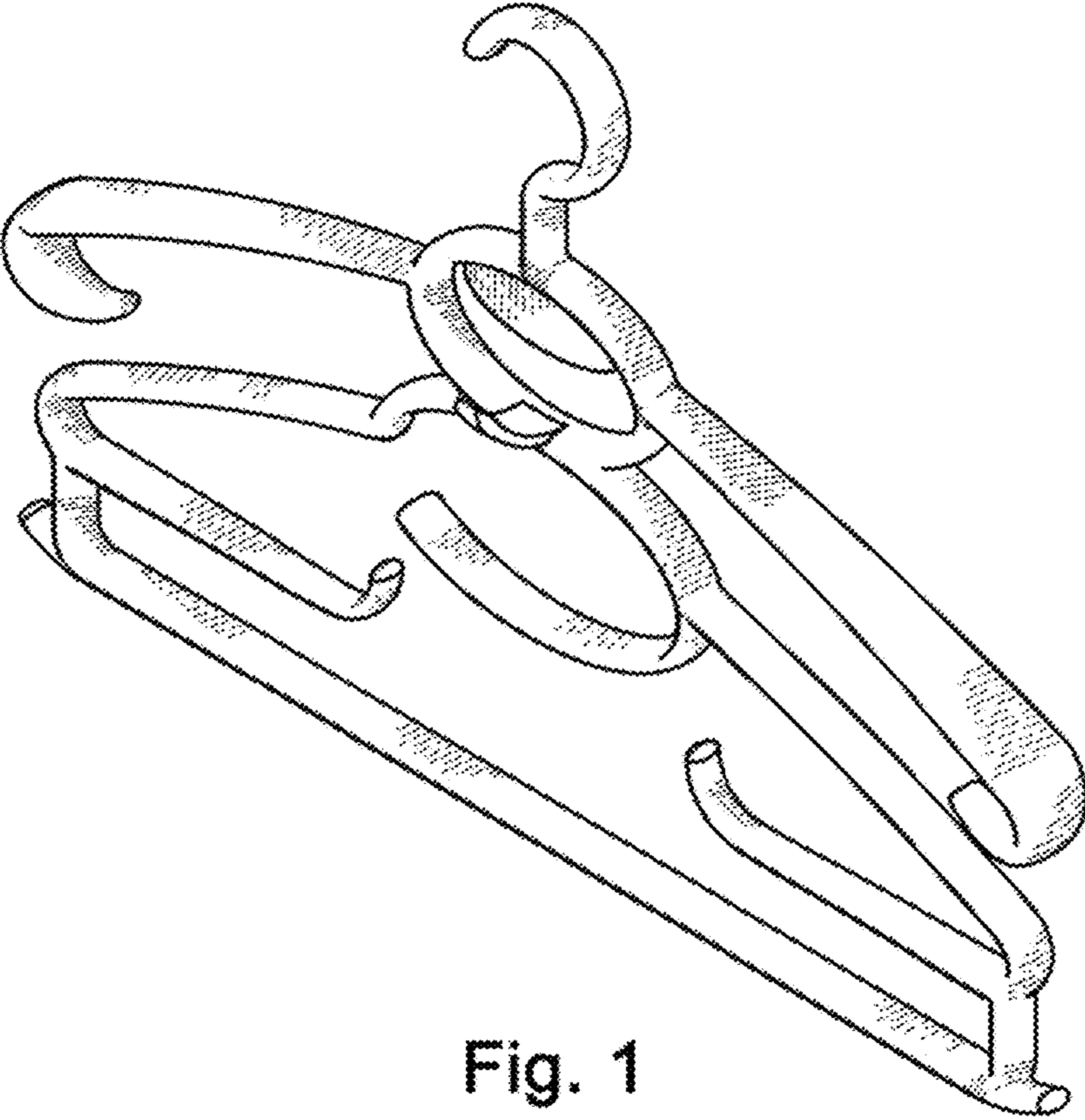


Fig. 1

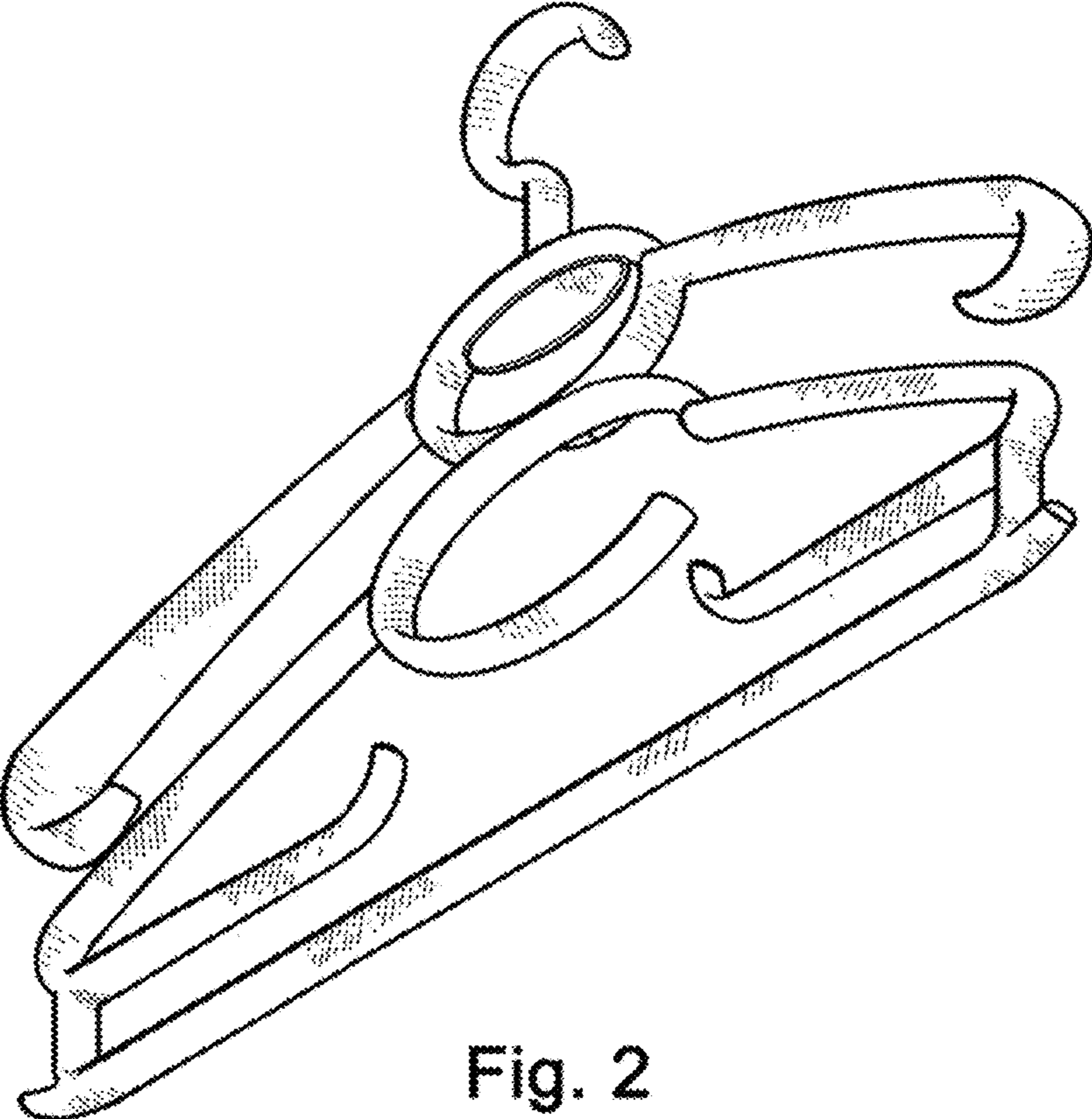


Fig. 2

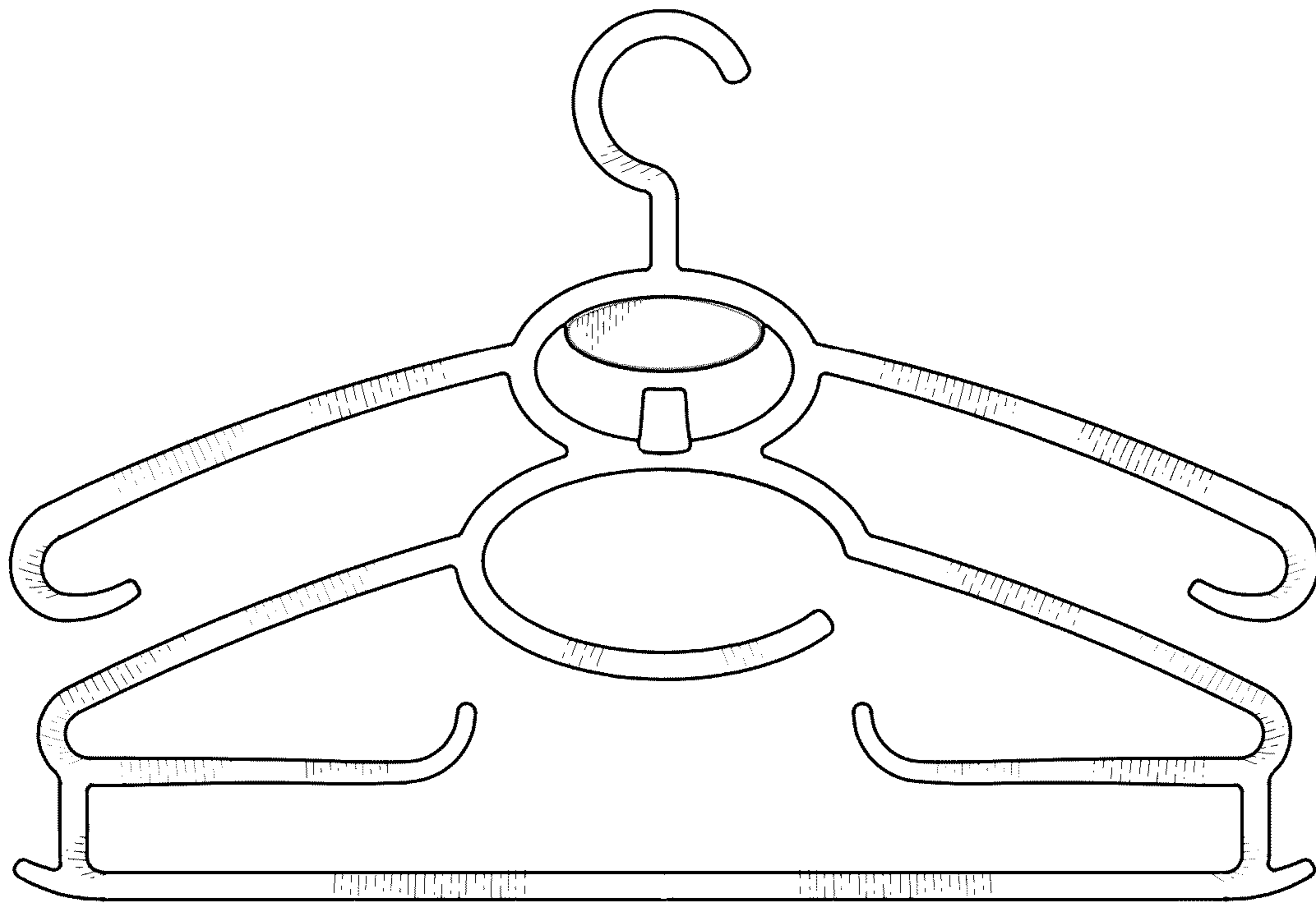


Fig. 3

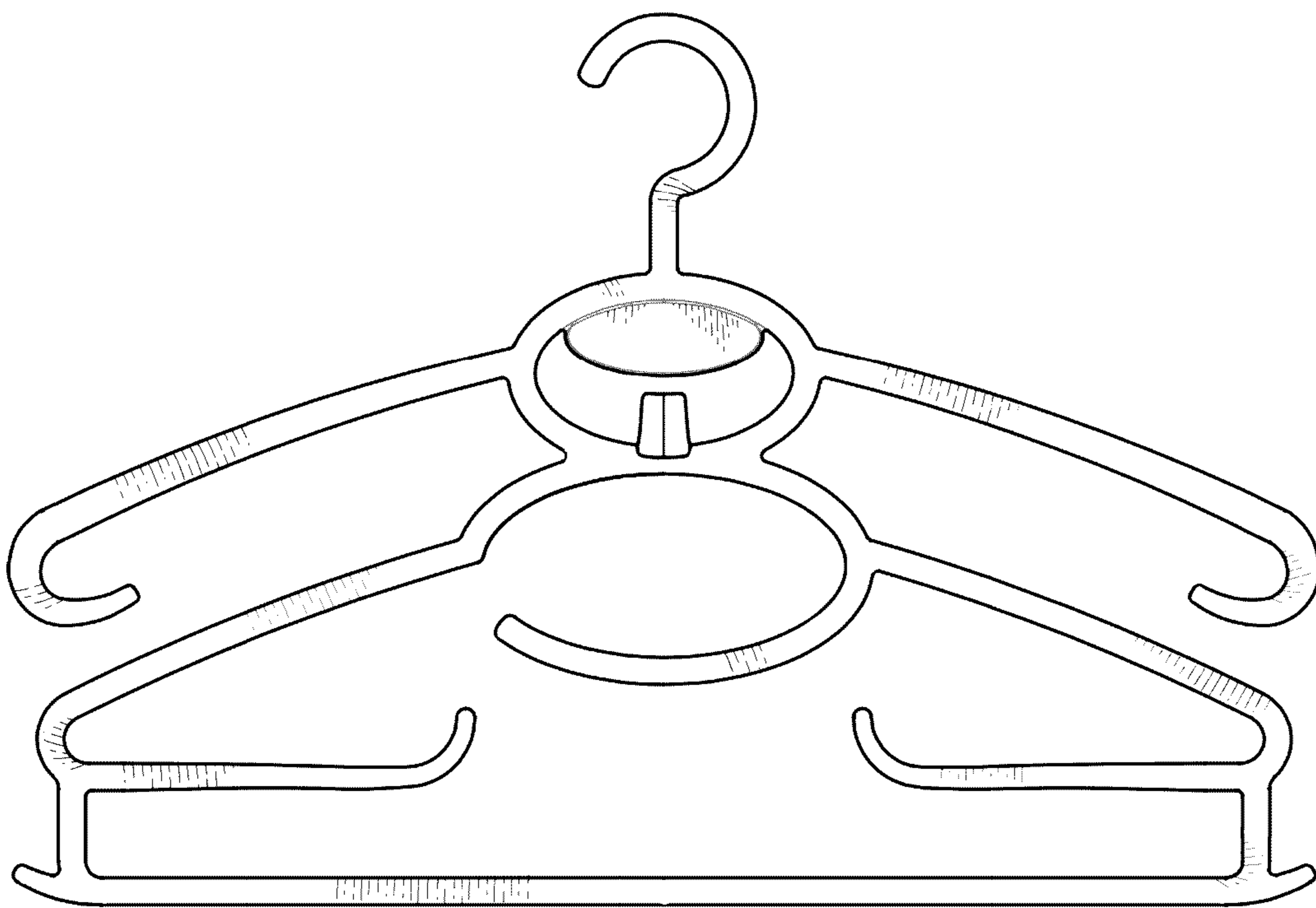


Fig. 4

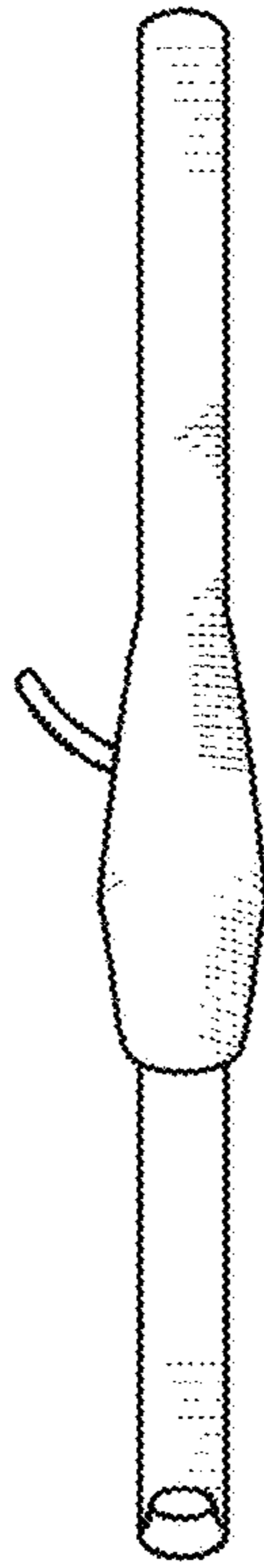


Fig. 5

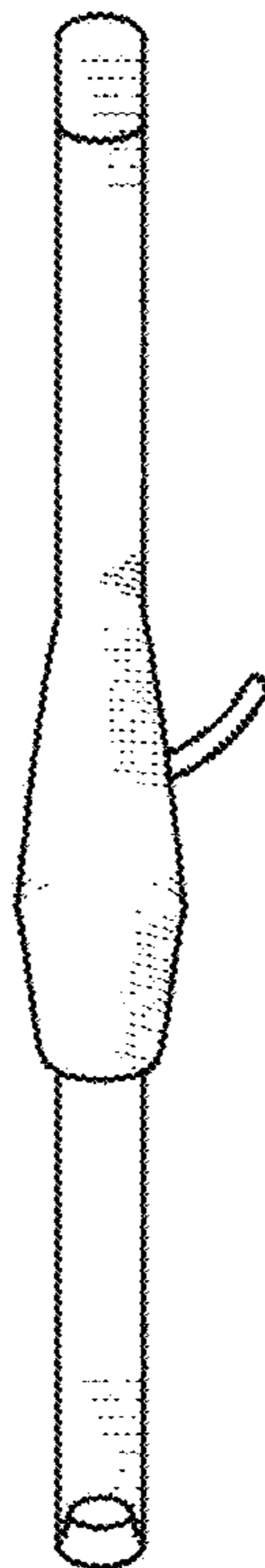


Fig. 6

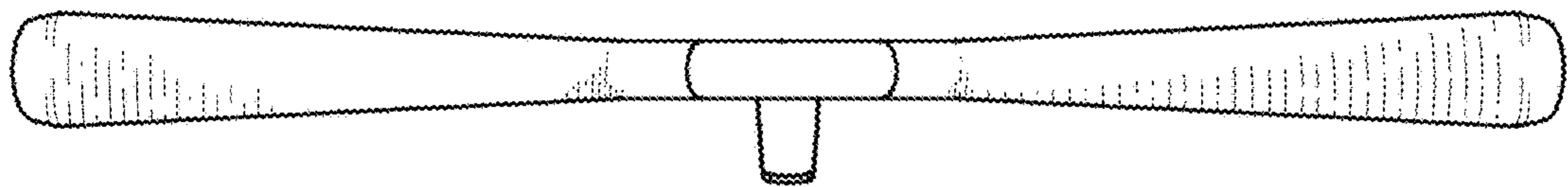


Fig. 7

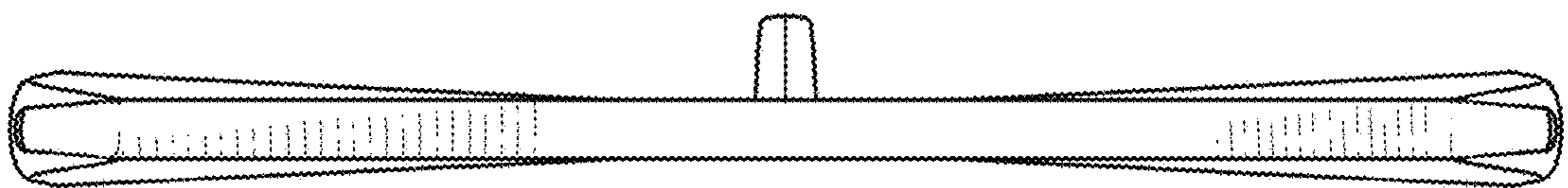


Fig. 8