



US00D772579S

(12) **United States Design Patent**  
**Baranes**

(10) **Patent No.:** **US D772,579 S**  
(45) **Date of Patent:** **\*\* Nov. 29, 2016**

- (54) **BOTTLE WITH BRUSH**
- (71) Applicant: **BARALAN INTERNATIONAL SPA**,  
Trezzano Sul Naviglio (MI) (IT)
- (72) Inventor: **Nikolas Baranes**, Trezzano Sul  
Naviglio (IT)
- (73) Assignee: **BARALAN INTERNATIONAL SPA**,  
Trezzano Sul Naviglio (MI) (IT)
- (\*\*) Term: **14 Years**
- (21) Appl. No.: **29/466,370**
- (22) Filed: **Sep. 6, 2013**
- (30) **Foreign Application Priority Data**

Mar. 7, 2013 (EM) ..... 002198382-0001  
 Mar. 7, 2013 (EM) ..... 002198382-0002

- (51) **LOC (10) Cl.** ..... **09-01**
- (52) **U.S. Cl.**  
USPC ..... **D4/116; D9/549**
- (58) **Field of Classification Search**  
USPC ..... D4/116, 121, 127, 135; D9/436, 454,  
D9/500, 503, 504, 516, 520, 529, 549, 558,  
D9/723, 725; 132/74.5; 206/15.2, 15.3,  
206/581, 823; 215/227, 228; 401/118-123,  
401/125-127, 129, 130  
CPC ..... A45D 29/00; A45D 29/11; A45D 29/12;  
A45D 34/00; A45D 34/042; A45D 34/043;  
A45D 34/045; A45D 34/046; A45D 40/262;  
A45D 40/265; A45D 40/267; A45D 2034/00;  
A45D 2034/002; A45D 2200/10; A45D  
2200/1009; A45D 2200/1018; B65D 51/32  
See application file for complete search history.

(56) **References Cited**

**U.S. PATENT DOCUMENTS**

D153,792 S \* 5/1949 Gulley ..... D9/558  
 D160,093 S \* 9/1950 Linnard ..... D9/558

2,736,050 A \* 2/1956 Lee ..... A45D 34/046  
132/73  
 2,888,020 A \* 5/1959 Schultz ..... A45D 29/18  
132/318  
 3,085,281 A \* 4/1963 Massman ..... A45D 34/048  
366/130  
 3,209,387 A \* 10/1965 Lukesch ..... A45D 34/048  
206/15.2  
 3,298,054 A \* 1/1967 Humble ..... A45D 34/045  
401/122  
 3,653,530 A \* 4/1972 Winfrey ..... B65D 51/32  
215/302  
 4,732,287 A \* 3/1988 Bennett ..... A45D 40/0087  
215/49  
 4,917,520 A \* 4/1990 Reid ..... A45D 40/265  
401/126

**FOREIGN PATENT DOCUMENTS**

DE 3605857 A1 \* 8/1987 ..... A47L 23/05

\* cited by examiner

*Primary Examiner* — Robert M Spear

*Assistant Examiner* — John Voytek

(74) *Attorney, Agent, or Firm* — Merchant & Gould P.C.

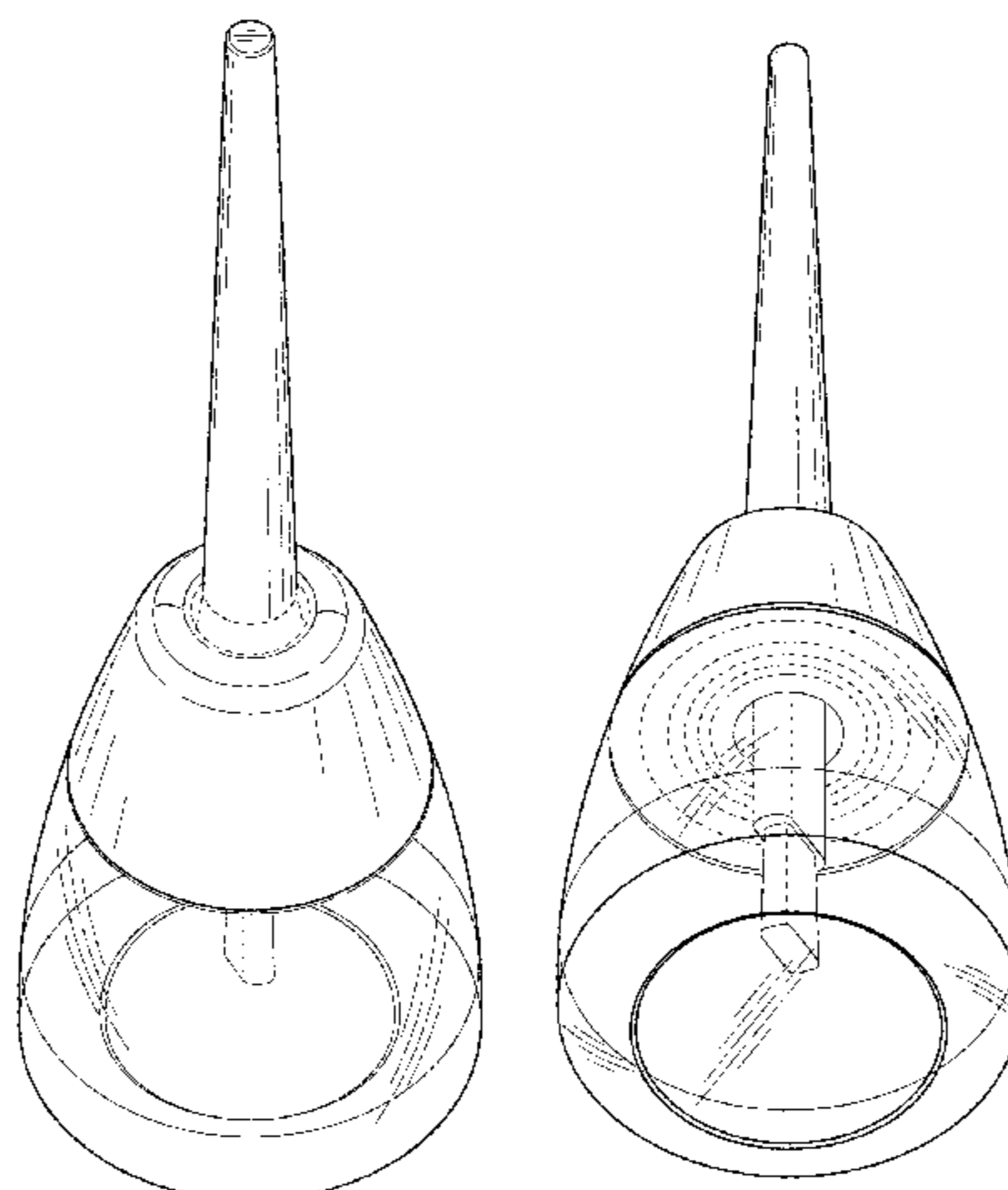
(57) **CLAIM**

The ornamental design for a bottle with brush, as shown and described.

**DESCRIPTION**

FIG. 1 is a front view showing a bottle with brush;  
 FIG. 2 is a side view of the bottle with brush shown in FIG. 1;  
 FIG. 3 is a bottom view of the bottle with brush shown in FIG. 1;  
 FIG. 4 is a top view of the bottle with brush shown in FIG. 1;  
 FIG. 5 is a front view showing a bottle with brush;  
 FIG. 6 is a top perspective view of the bottle with brush shown in FIG. 5; and,  
 FIG. 7 is a bottom perspective view of the bottle with brush shown in FIG. 5.  
 In the drawings, the broken lines depict environmental subject matter only and form no part of the claimed design.

**1 Claim, 7 Drawing Sheets**



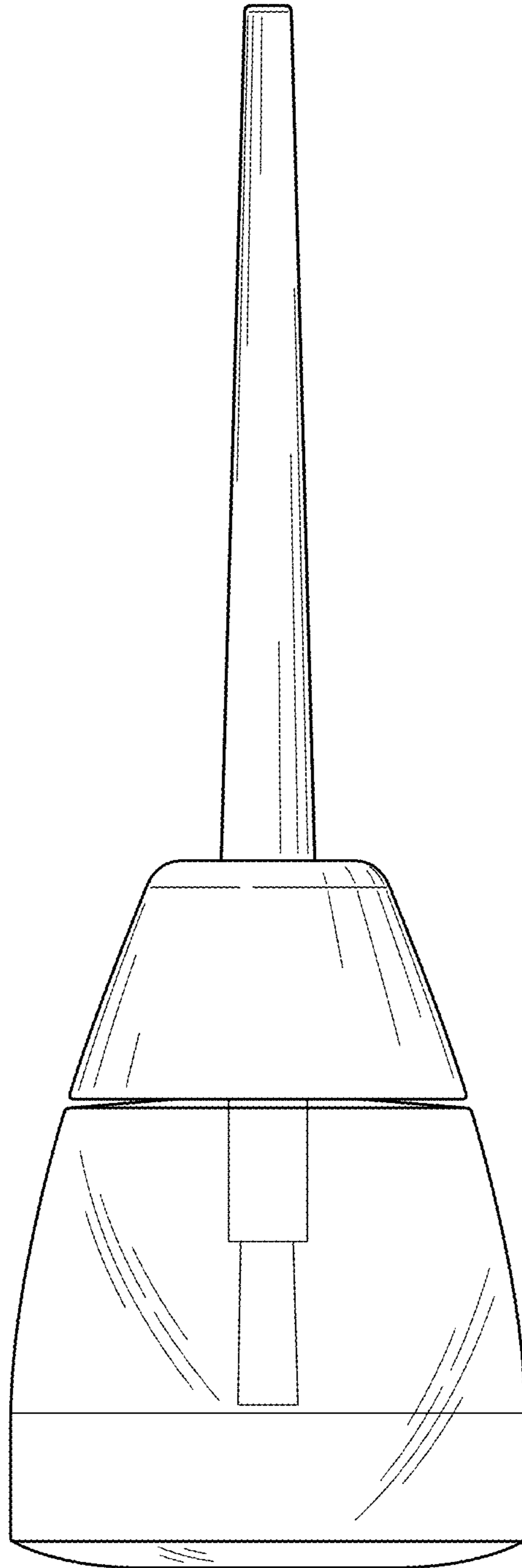


FIG. 1

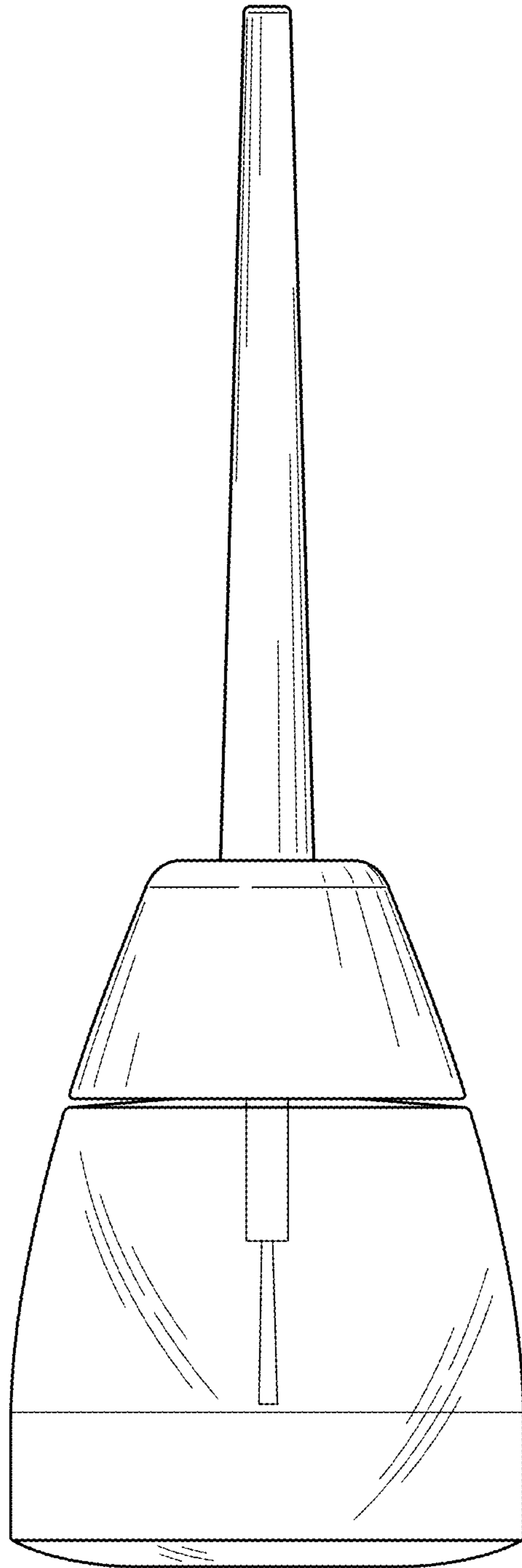


FIG. 2

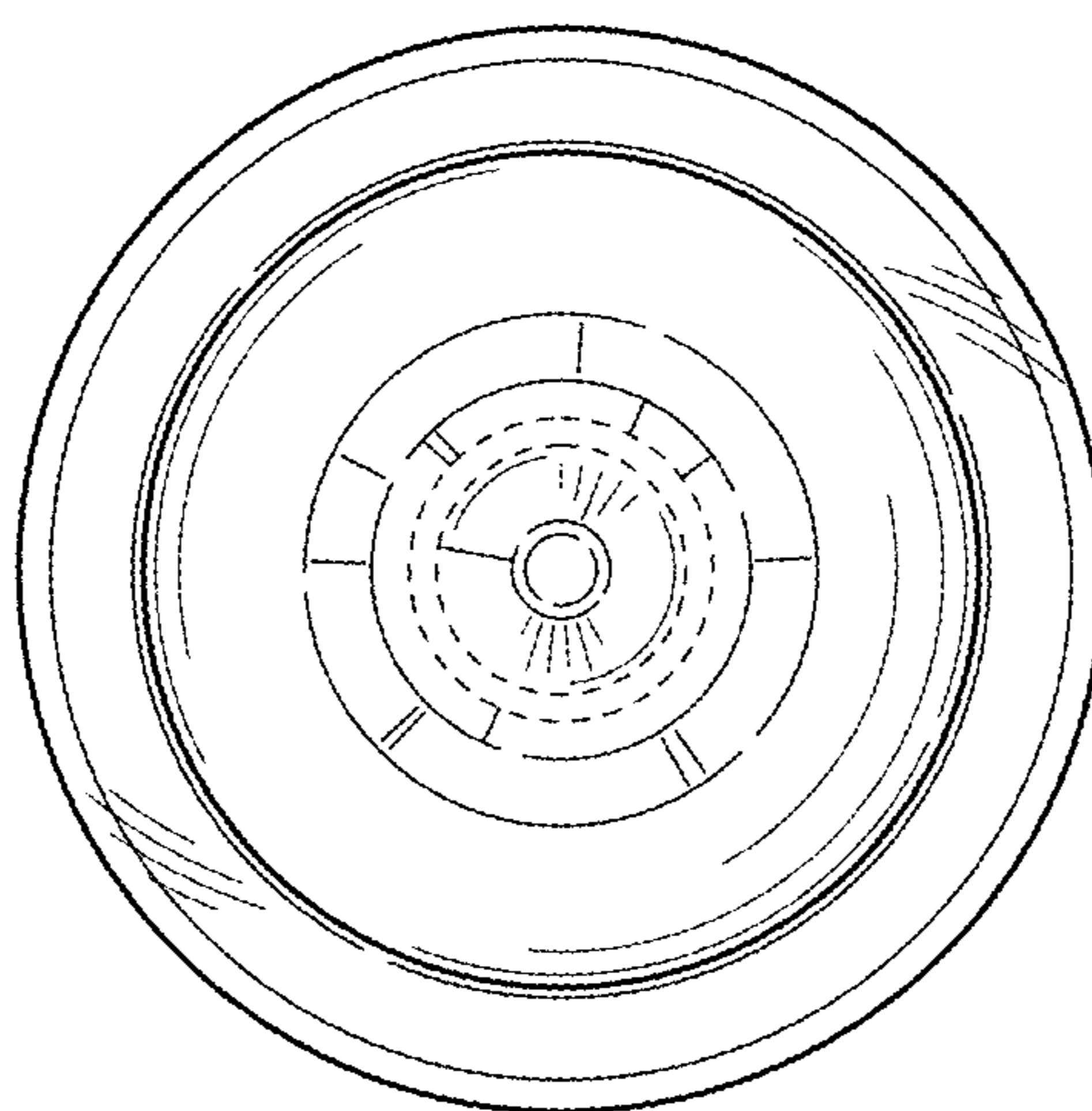


FIG. 3

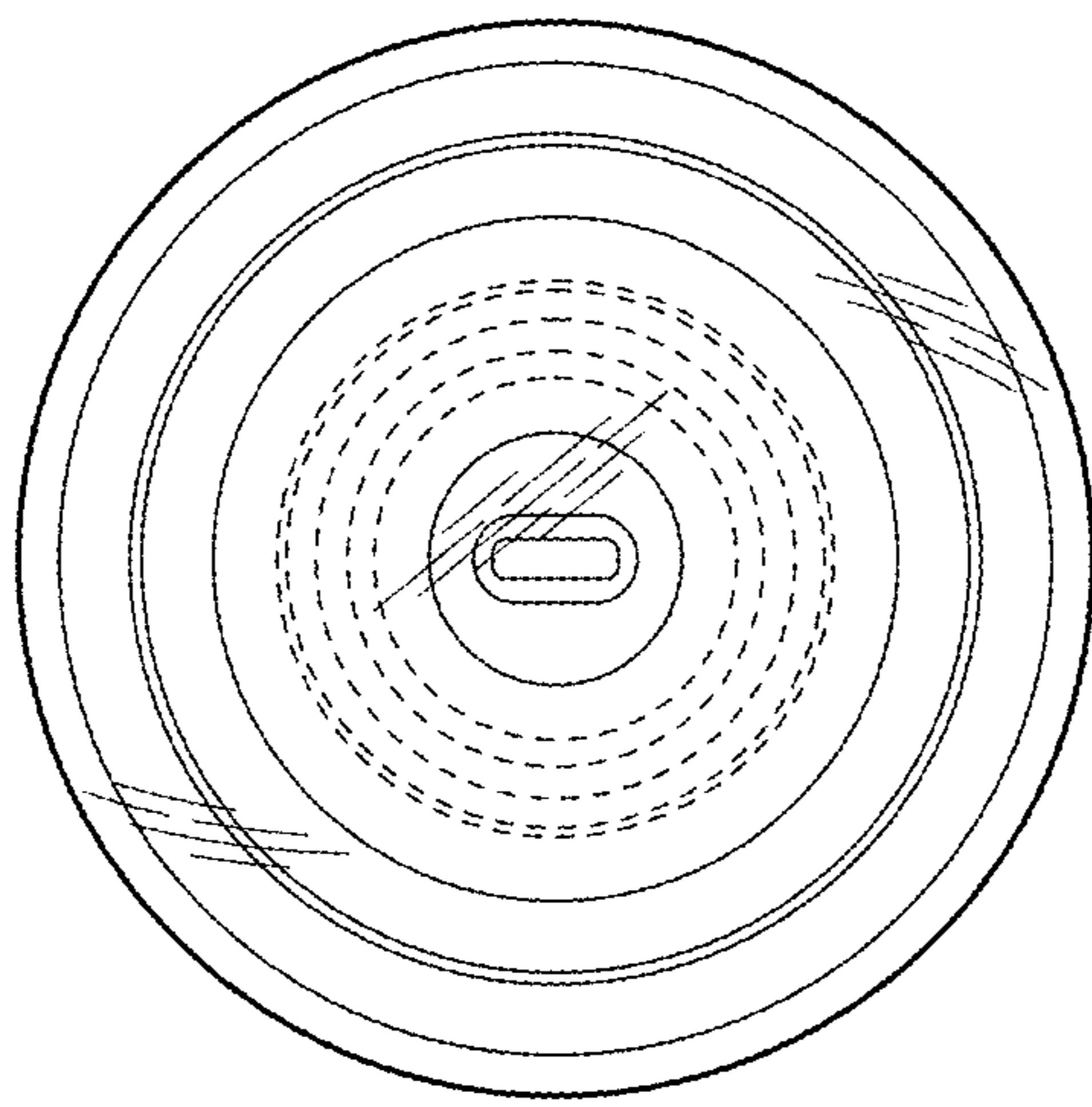


FIG. 4

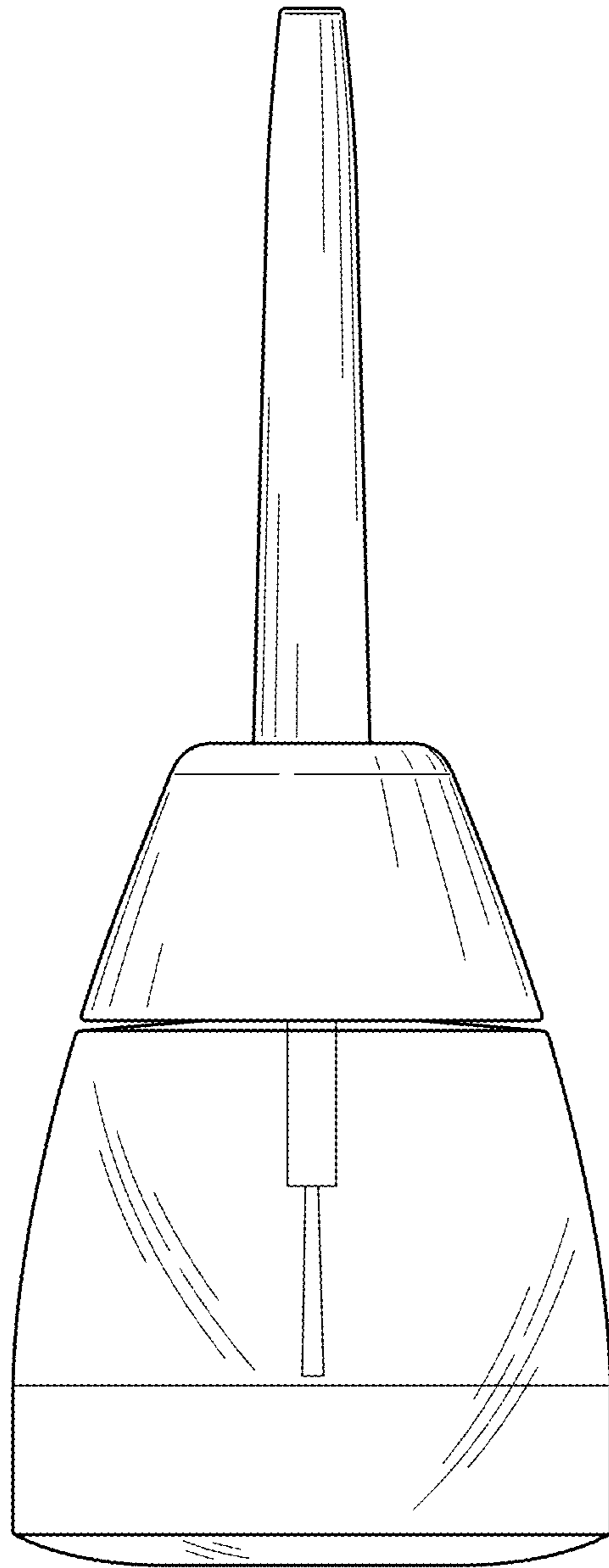


FIG. 5

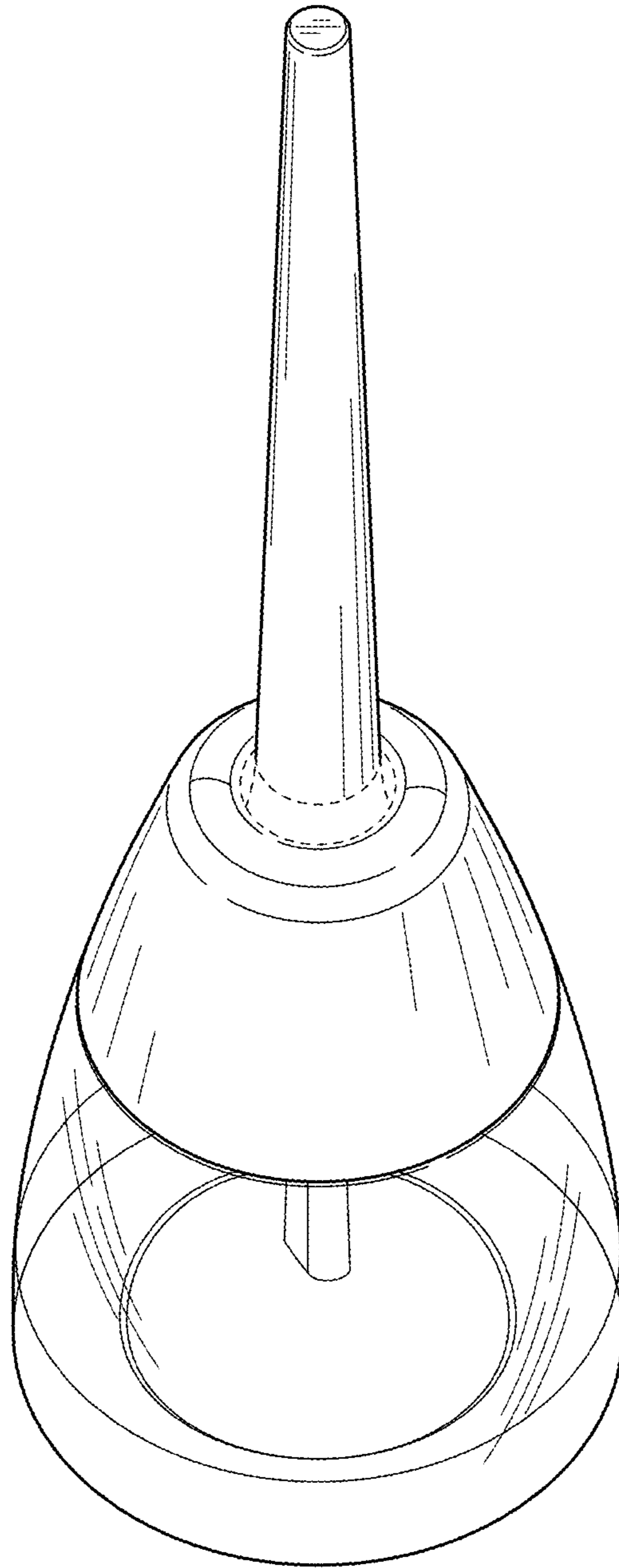


FIG. 6

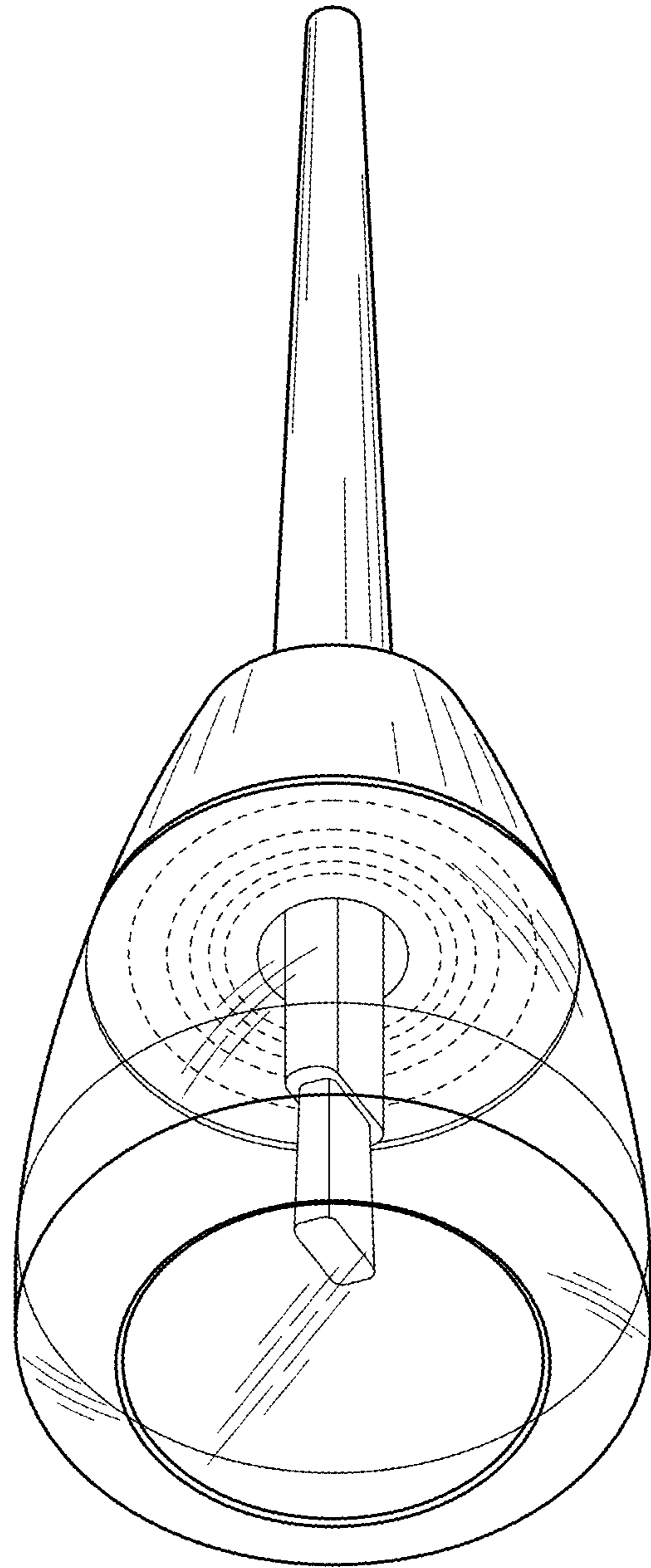


FIG. 7