



US00D772576S

(12) **United States Design Patent** (10) **Patent No.:** **US D772,576 S**  
**Wu** (45) **Date of Patent:** **\*\* Nov. 29, 2016**

(54) **ZIPPER HOUSING**

(71) Applicant: **TUMI, INC.**, South Plainfield, NJ (US)

(72) Inventor: **Peter C. Wu**, Sunnyside, NY (US)

(73) Assignee: **TUMI, INC**, South Plainfield, NJ (US)

(\*\*) Term: **15 Years**

(21) Appl. No.: **29/527,042**

(22) Filed: **May 14, 2015**

(51) **LOC (10) Cl.** ..... **03-01**

(52) **U.S. Cl.**  
USPC ..... **D3/318**

(58) **Field of Classification Search**  
USPC ..... D3/273, 289, 294, 318  
CPC ..... E05B 73/00  
See application file for complete search history.

(56) **References Cited**

**U.S. PATENT DOCUMENTS**

6,598,433 B1 \* 7/2003 Malvasio ..... E05B 73/00  
70/18  
7,464,569 B2 \* 12/2008 Kolton ..... B65D 33/25  
24/381

\* cited by examiner

*Primary Examiner* — Holly Baynham

(74) *Attorney, Agent, or Firm* — Lando & Anastasi, LLP;  
John N. Anastasi; William J. Seymour

(57) **CLAIM**

The ornamental design for a zipper housing, as shown and described.

**DESCRIPTION**

FIG. 1 is a front perspective view of the zipper housing on a suitcase;

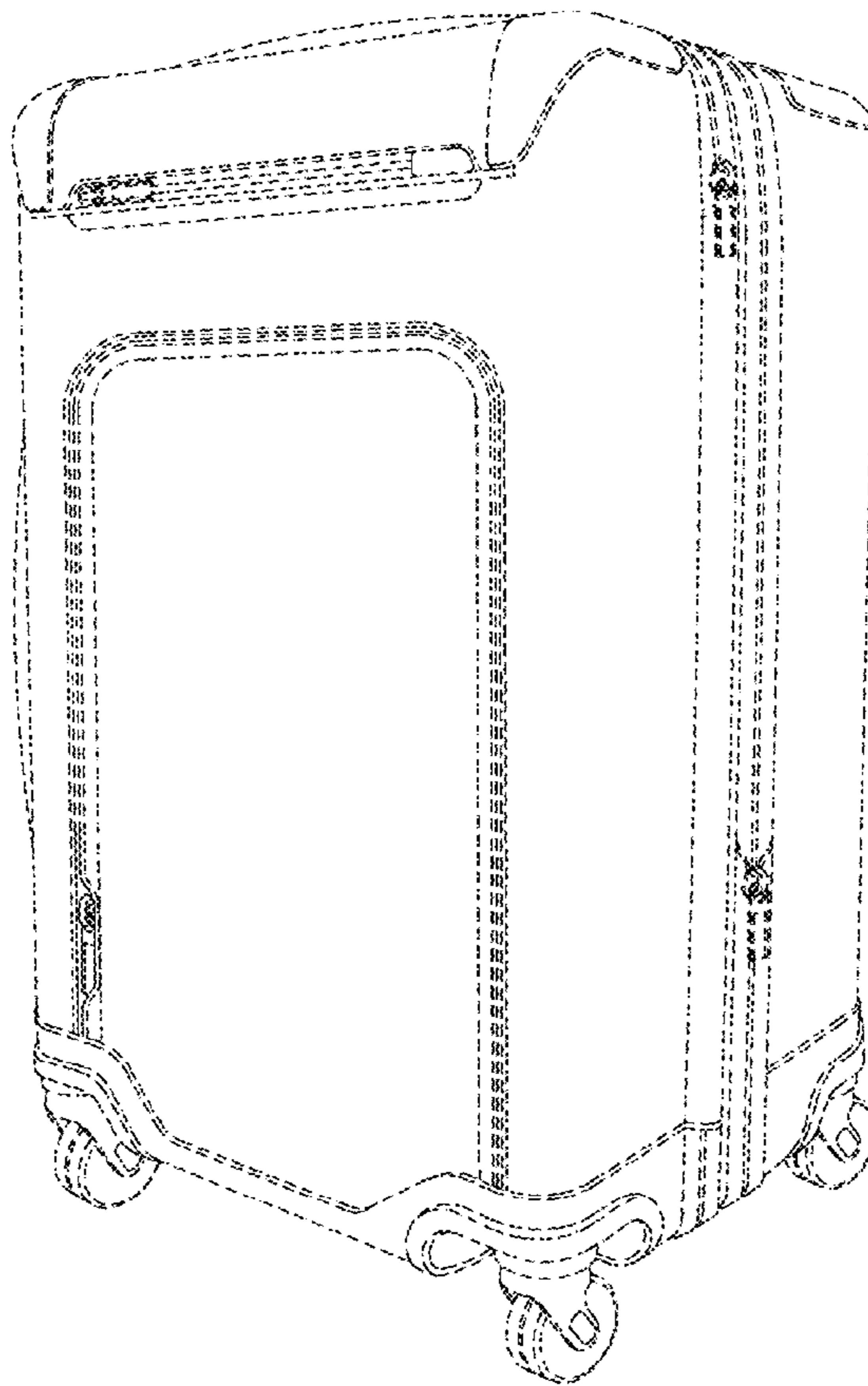
FIG. 2 is a front view of the zipper housing on a suitcase;  
FIG. 3 is a an alternate environmental view front perspective view of the zipper housing on a briefcase;

FIG. 4 is a front view of the zipper housing on a briefcase;  
FIG. 5 is a an alternate environmental view front perspective view of the zipper housing on a backpack;

FIG. 6 is a front view of the zipper housing on a backpack;  
and,  
FIG. 7 is a close up view of the zipper housing, standing alone.

The broken lines showing luggage are for the purpose of illustrating environment and form no part of the claimed design.

**1 Claim, 7 Drawing Sheets**



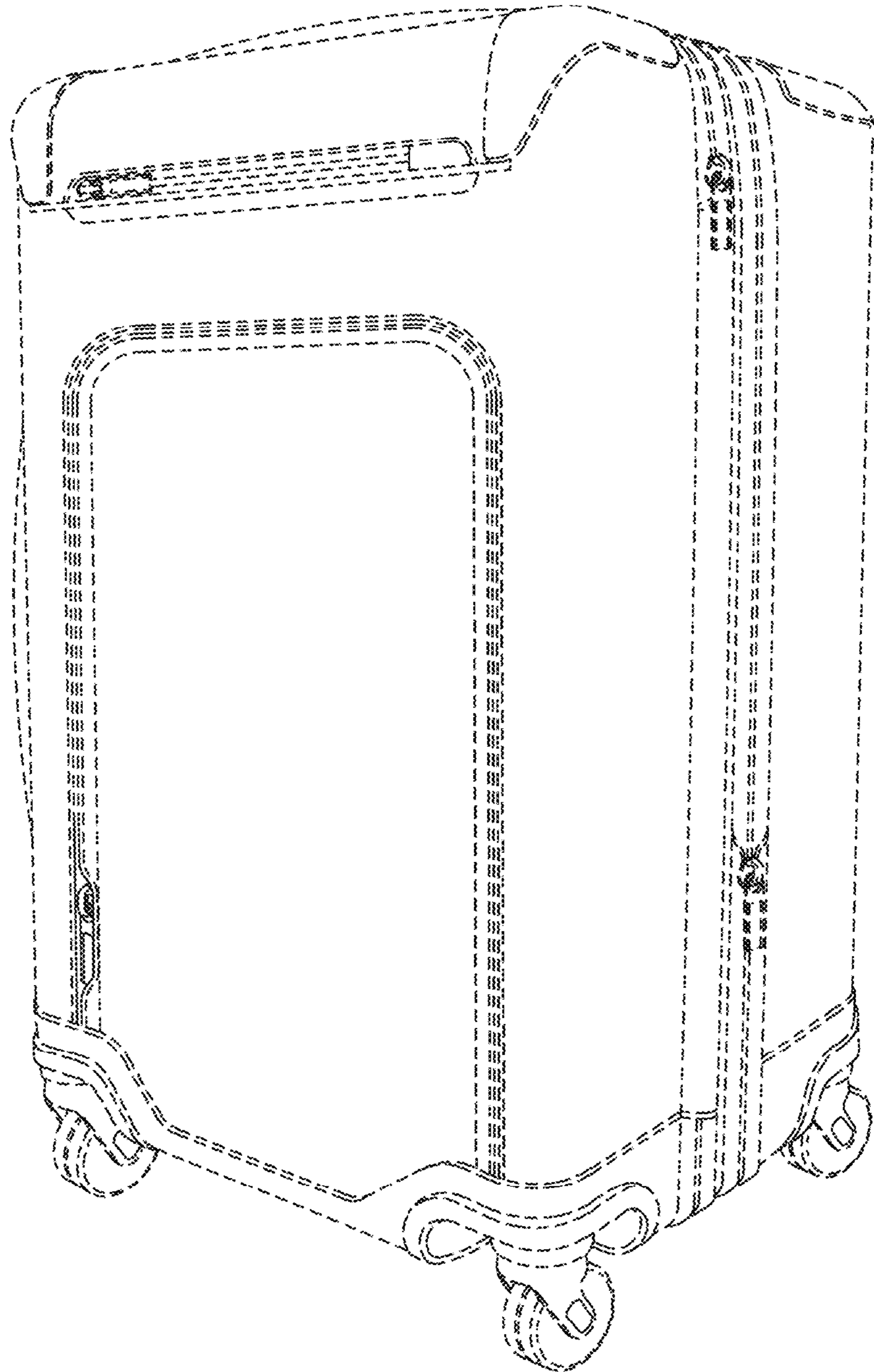


FIG. 1

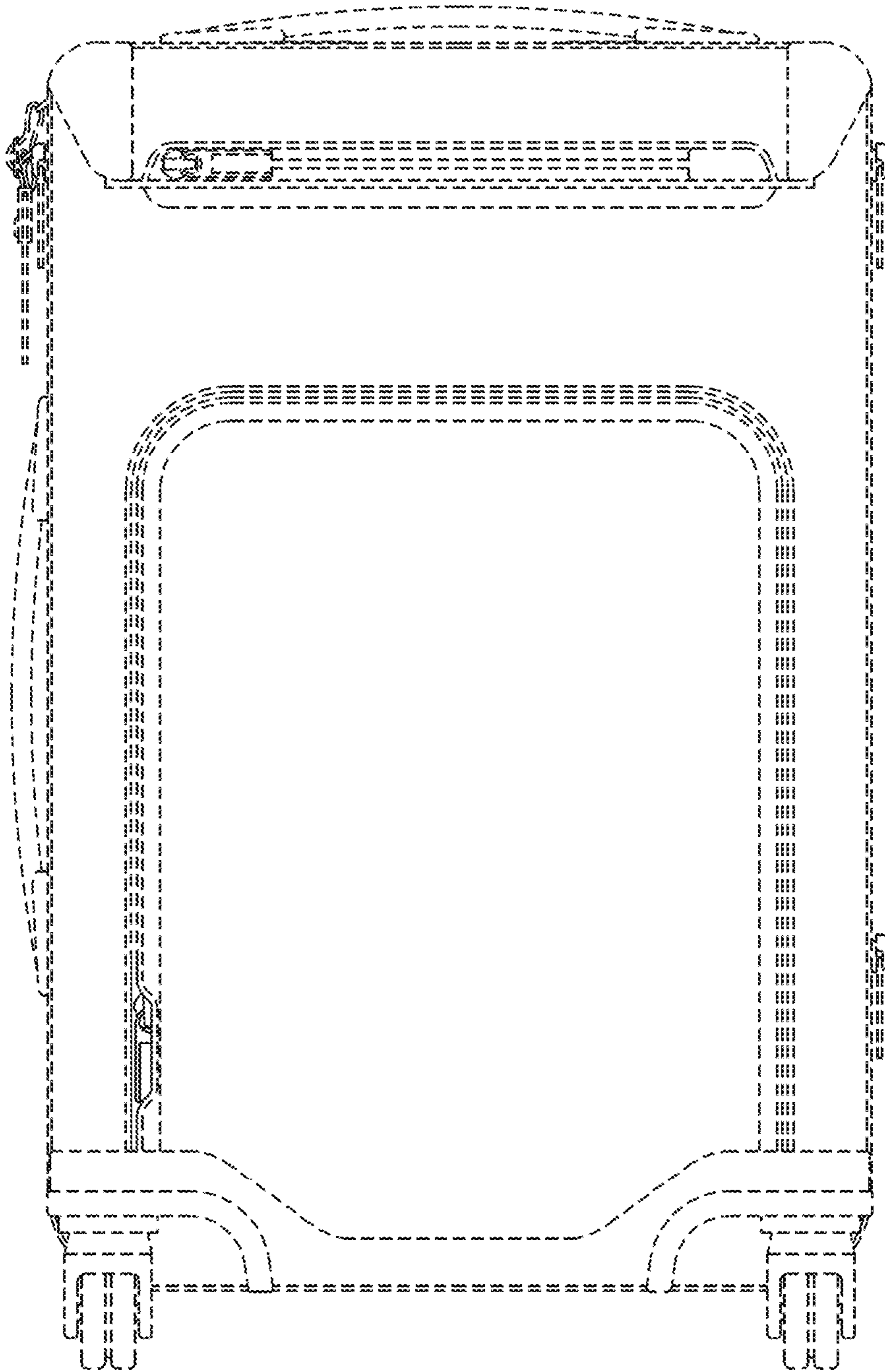


FIG. 2

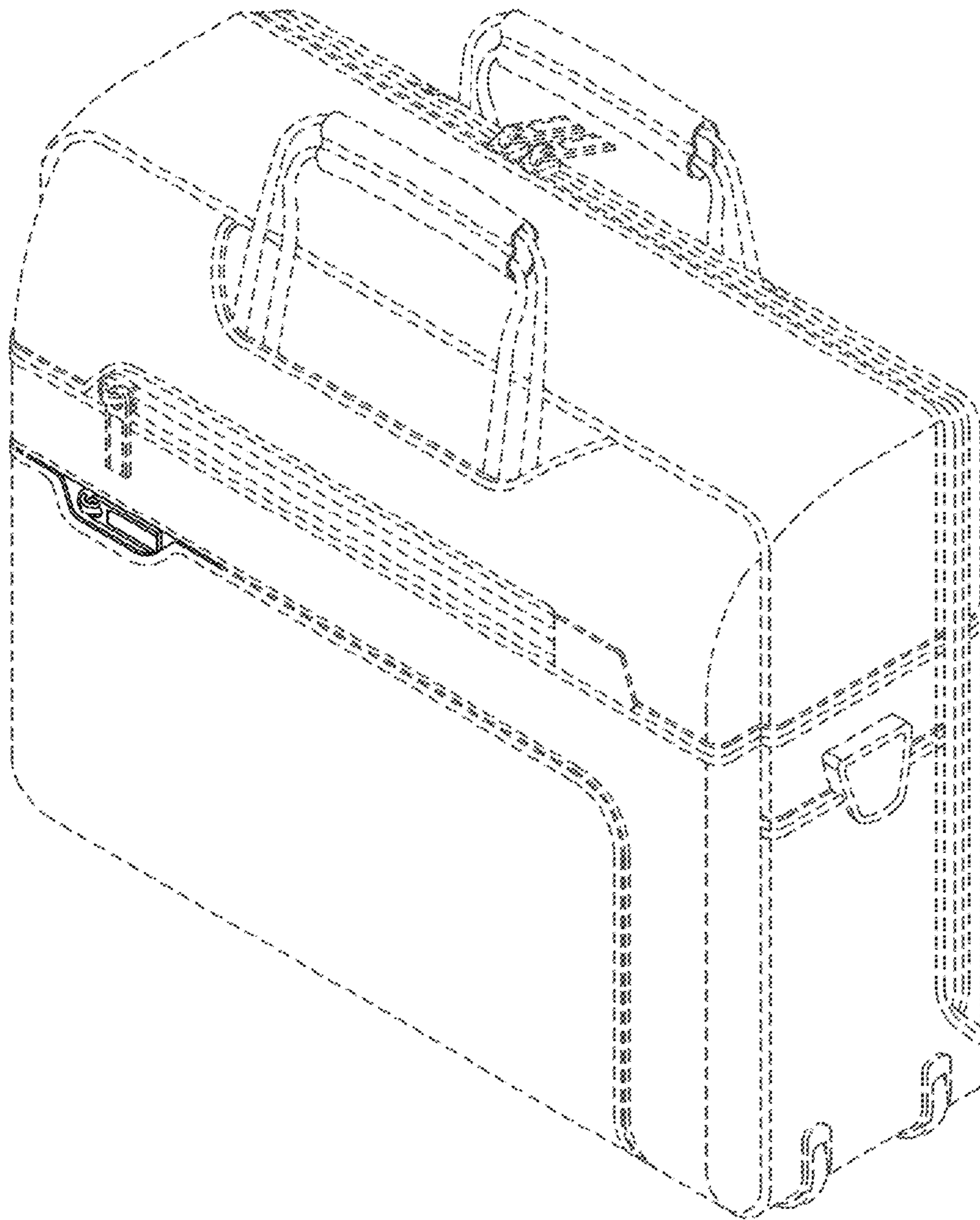


FIG. 3

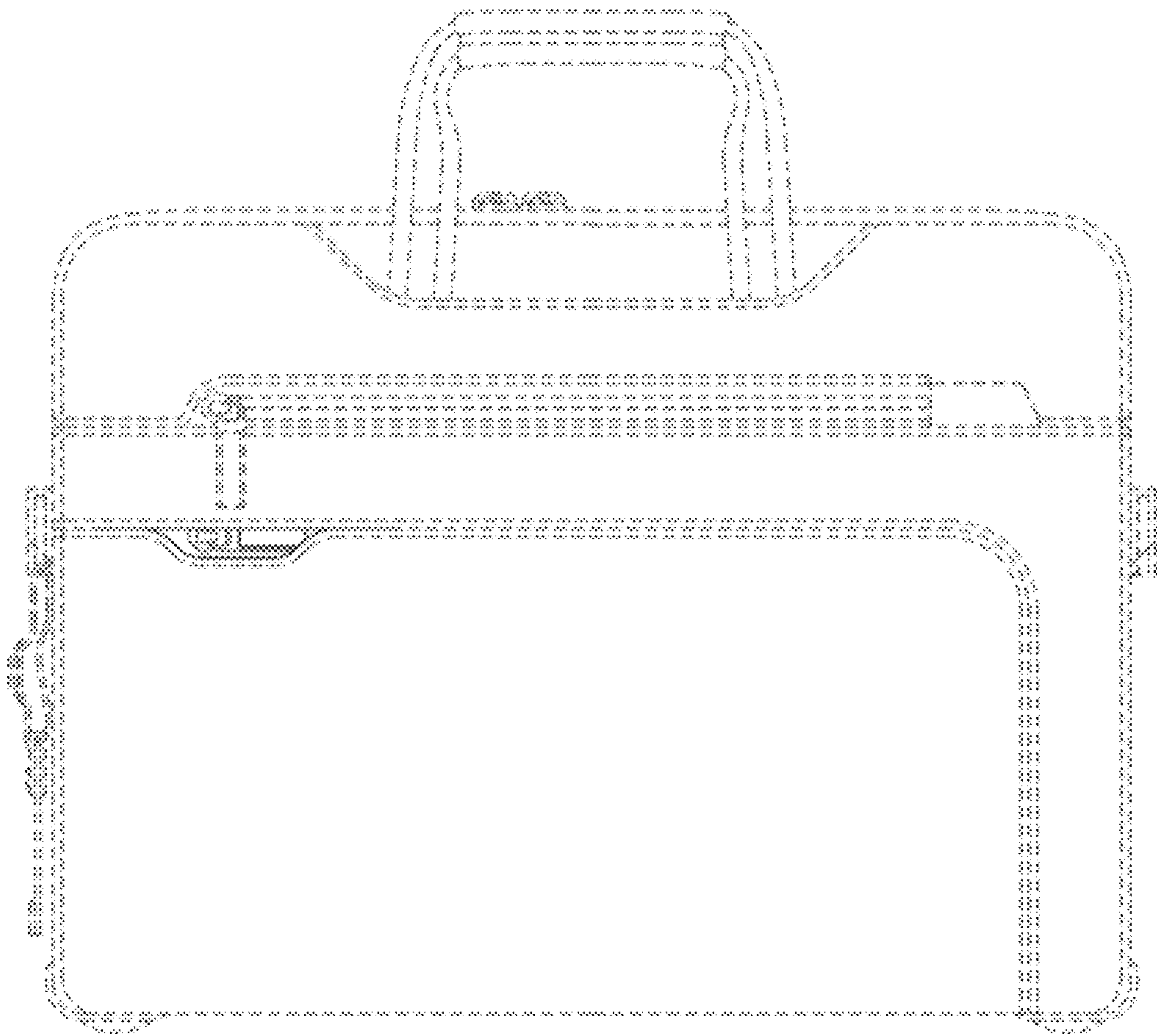


FIG. 4

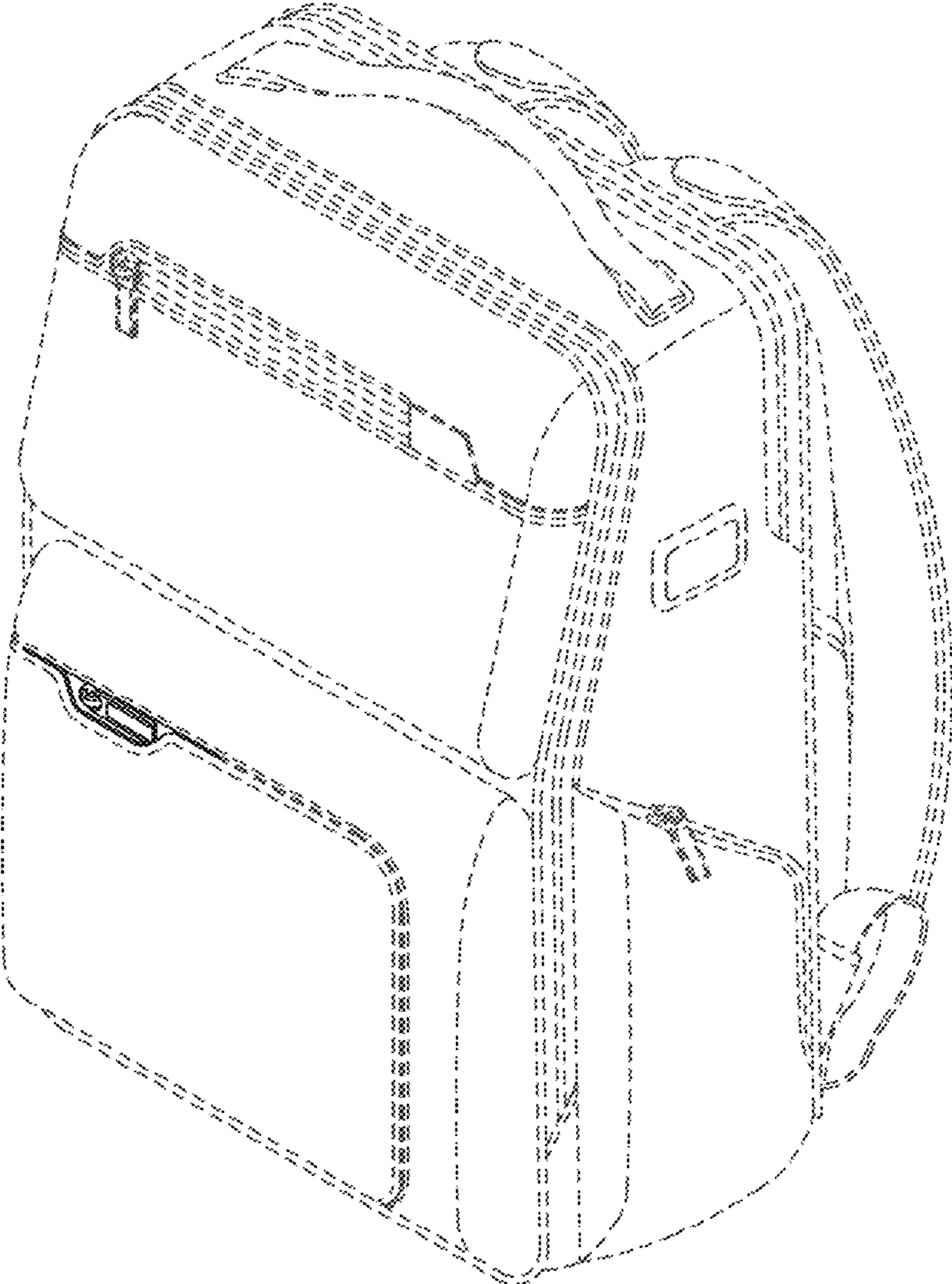


FIG. 5

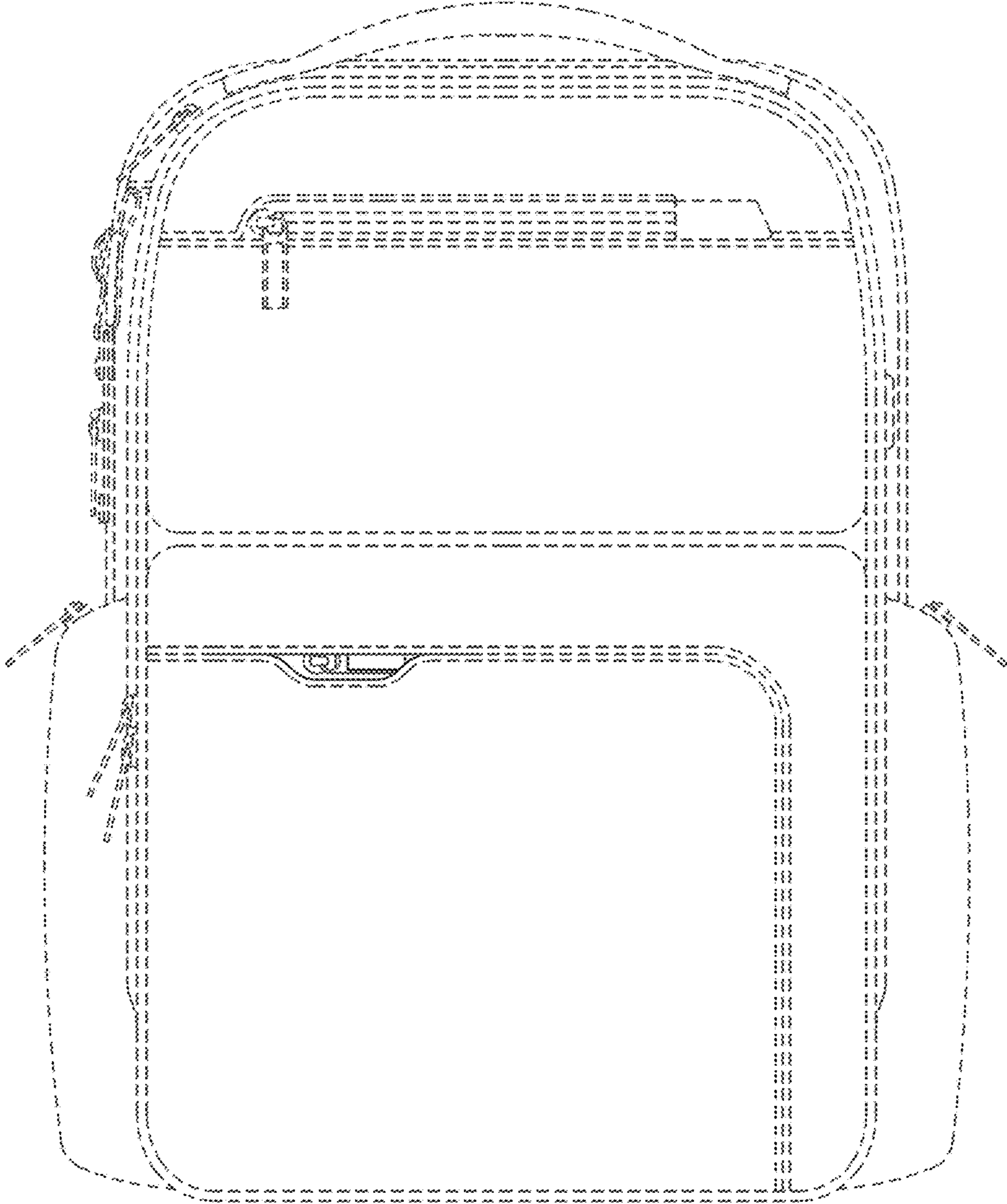


FIG. 6

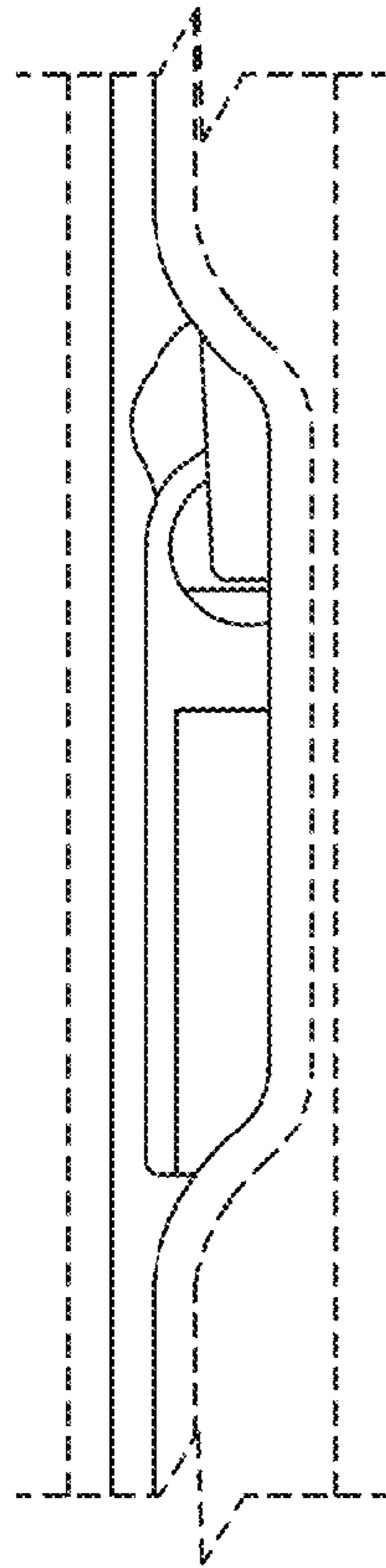


FIG. 7