



US00D772574S

(12) **United States Design Patent**
Willows et al.

(10) **Patent No.:** **US D772,574 S**
(45) **Date of Patent:** **** Nov. 29, 2016**

- (54) **POUCH**
- (71) Applicant: **Amphipod, Inc.**, Seattle, WA (US)
- (72) Inventors: **Keith S. Willows**, Seattle, WA (US);
June A. Angus, Seattle, WA (US);
Antonio Del Rosario, Bellevue, WA (US)
- (73) Assignee: **Amphipod, Inc.**, Seattle, WA (US)
- (**) Term: **14 Years**
- (21) Appl. No.: **29/522,390**
- (22) Filed: **Mar. 30, 2015**
- (51) **LOC (10) Cl.** **03-01**
- (52) **U.S. Cl.**
USPC **D3/303**
- (58) **Field of Classification Search**
USPC D3/232-234, 224, 226, 221, 215, 245,
D3/252, 303; 224/196, 240, 245, 219, 222,
224/267, 269; 206/37.1; 150/143
CPC A45F 3/00; A45F 3/005; G08B 15/004
See application file for complete search history.

(56) **References Cited**

U.S. PATENT DOCUMENTS

D114,351 S *	4/1939	Steinman	D3/245
D231,590 S *	5/1974	McKinney	D3/234
D409,380 S	5/1999	Angus et al.		
D415,892 S	11/1999	Angus et al.		
D440,762 S *	4/2001	Sherman	D3/226

D448,925 S	10/2001	Willows et al.		
D458,021 S	6/2002	Willows et al.		
D460,255 S *	7/2002	Hillman	D3/218
D467,079 S	12/2002	Willows et al.		
D484,307 S	12/2003	Willows et al.		
6,698,636 B2	3/2004	Angus et al.		
D624,308 S *	9/2010	Crifasi	D3/226
D682,542 S *	5/2013	Williams	D3/226
D706,028 S	6/2014	Willows et al.		
D706,031 S	6/2014	Willows et al.		
D743,694 S *	11/2015	Charles	D3/226

* cited by examiner

Primary Examiner — Catheri Oliver-Garcia

(74) *Attorney, Agent, or Firm* — Lowe Graham Jones PLLC

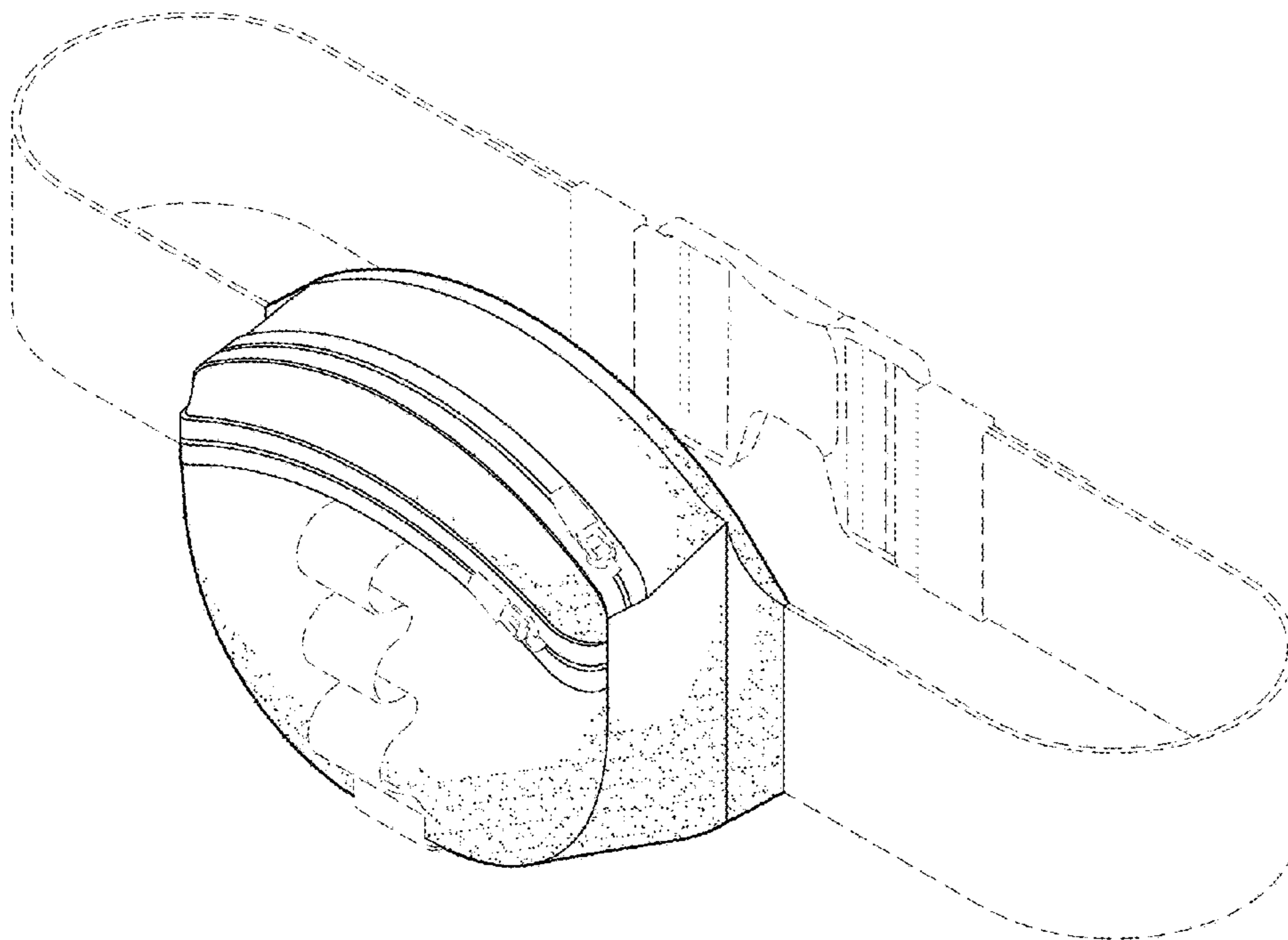
(57) **CLAIM**

We claim the ornamental design for the pouch, as shown and described.

DESCRIPTION

FIG. 1 is a front perspective view of the pouch, showing our new design.
 FIG. 2 is a front elevational view of the pouch.
 FIG. 3 is a top plan view of the pouch.
 FIG. 4 is a right side elevational view of the pouch.
 FIG. 5 is a left side elevational view of the pouch.
 FIG. 6 is a rear elevational view of the pouch; and,
 FIG. 7 is a bottom plan view of the pouch.
 The broken lines shown in the drawings indicate unclaimed subject matter and form no part of the claimed design. The pouch as illustrated is formed from a fabric material, and is shown in an expanded position.

1 Claim, 6 Drawing Sheets



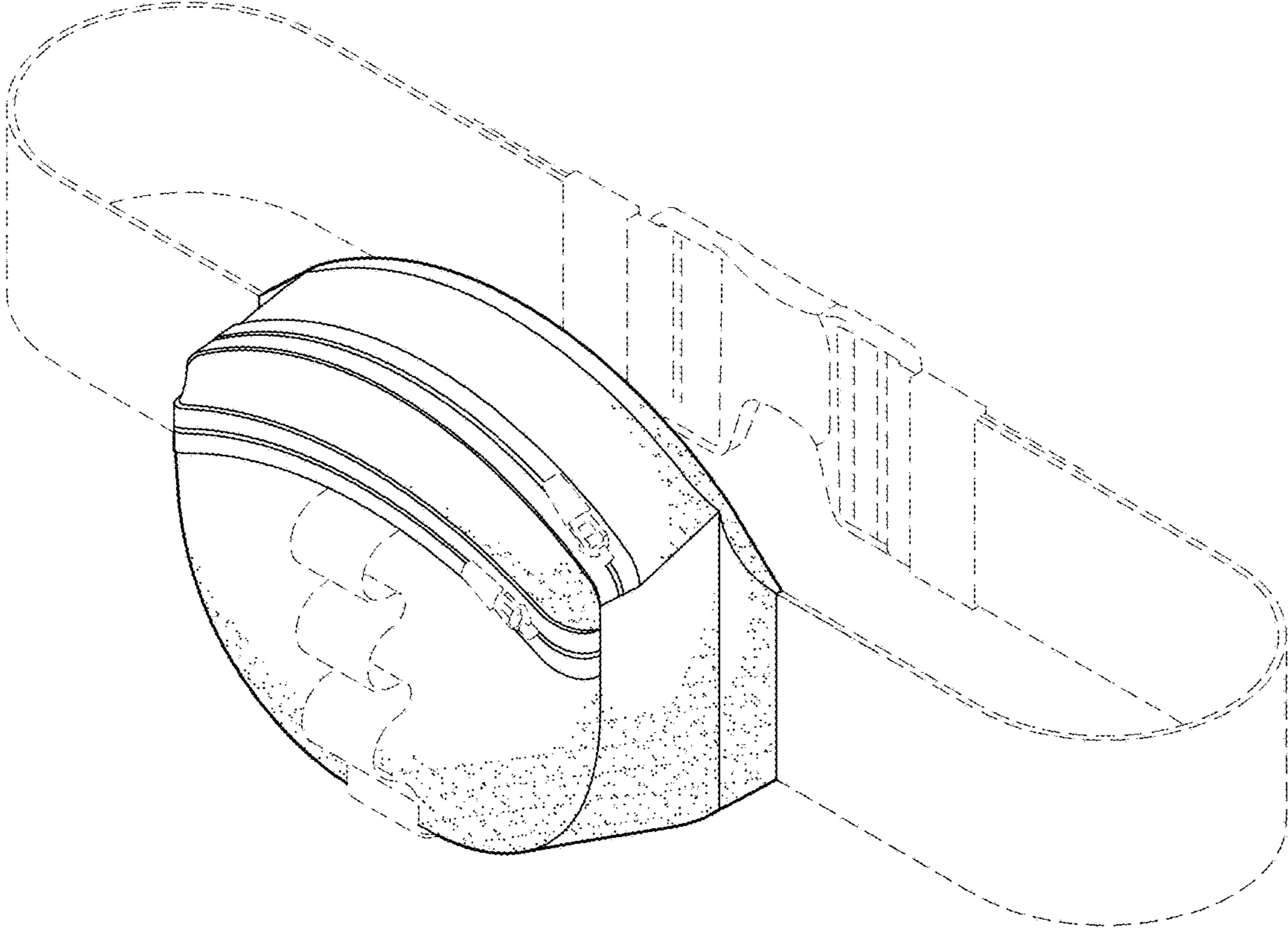


FIG.1

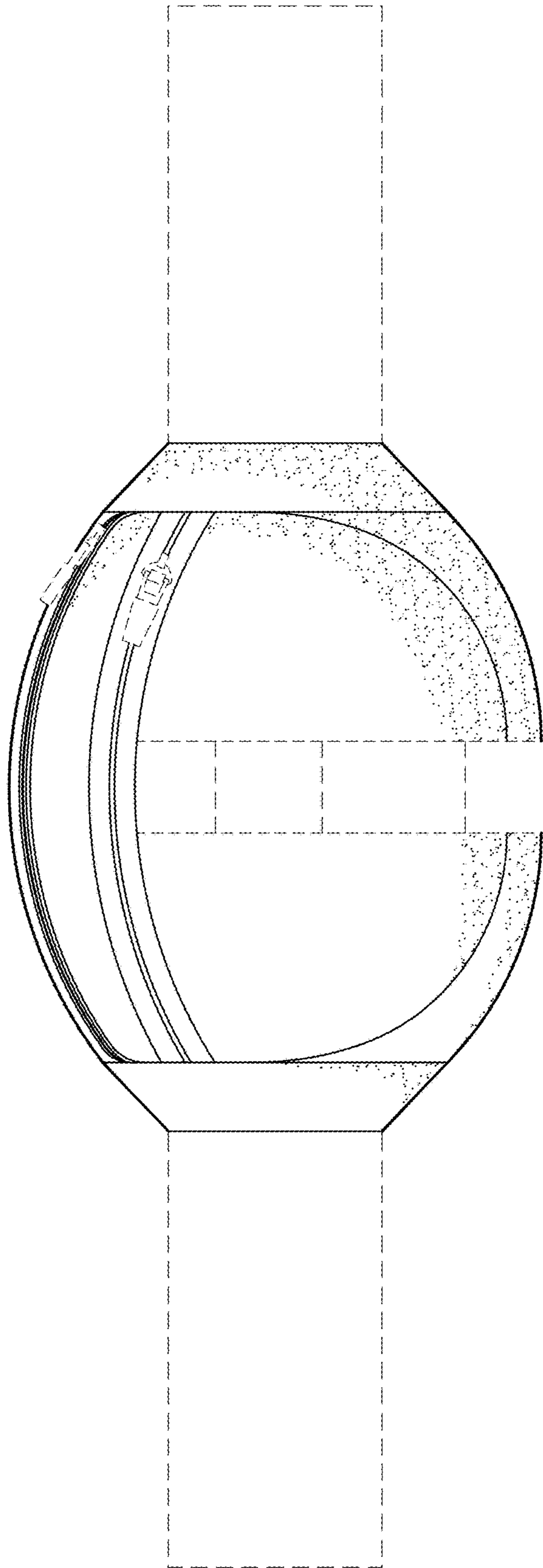


FIG.2

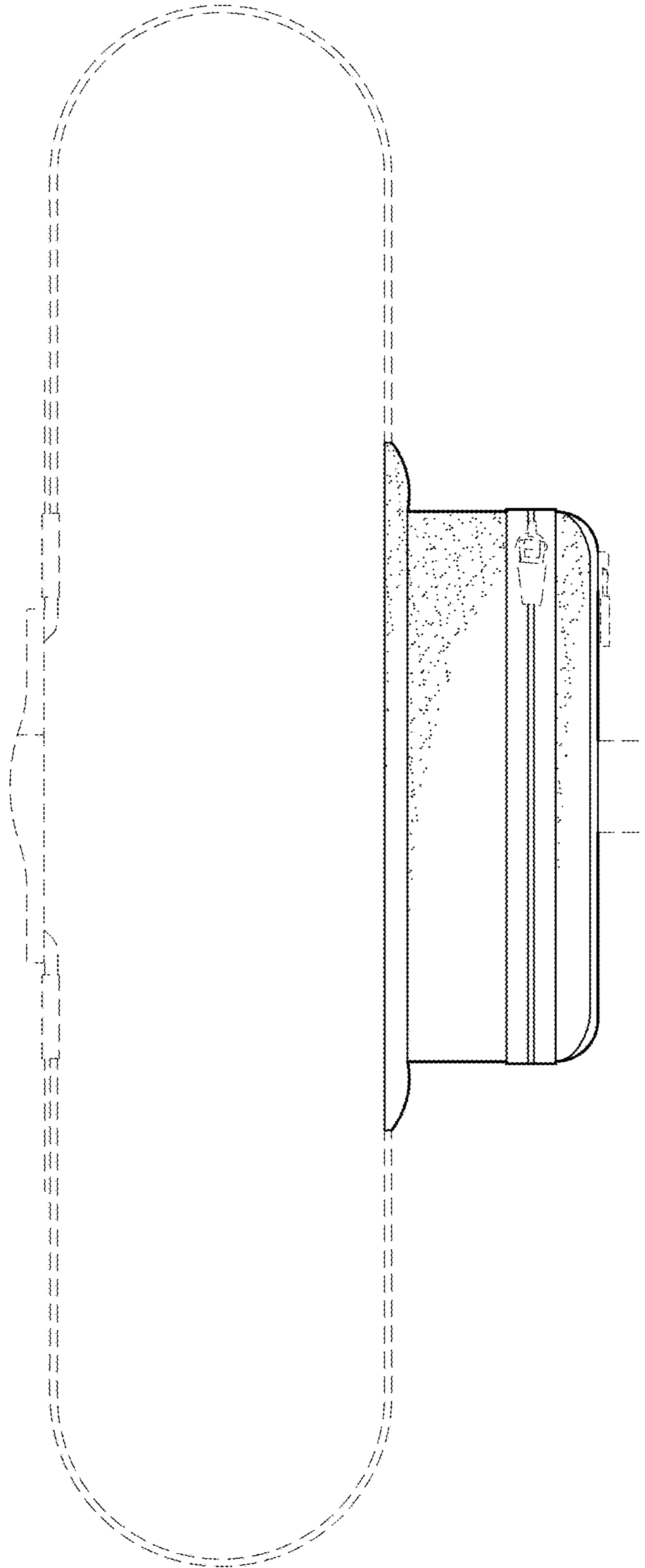


FIG. 3

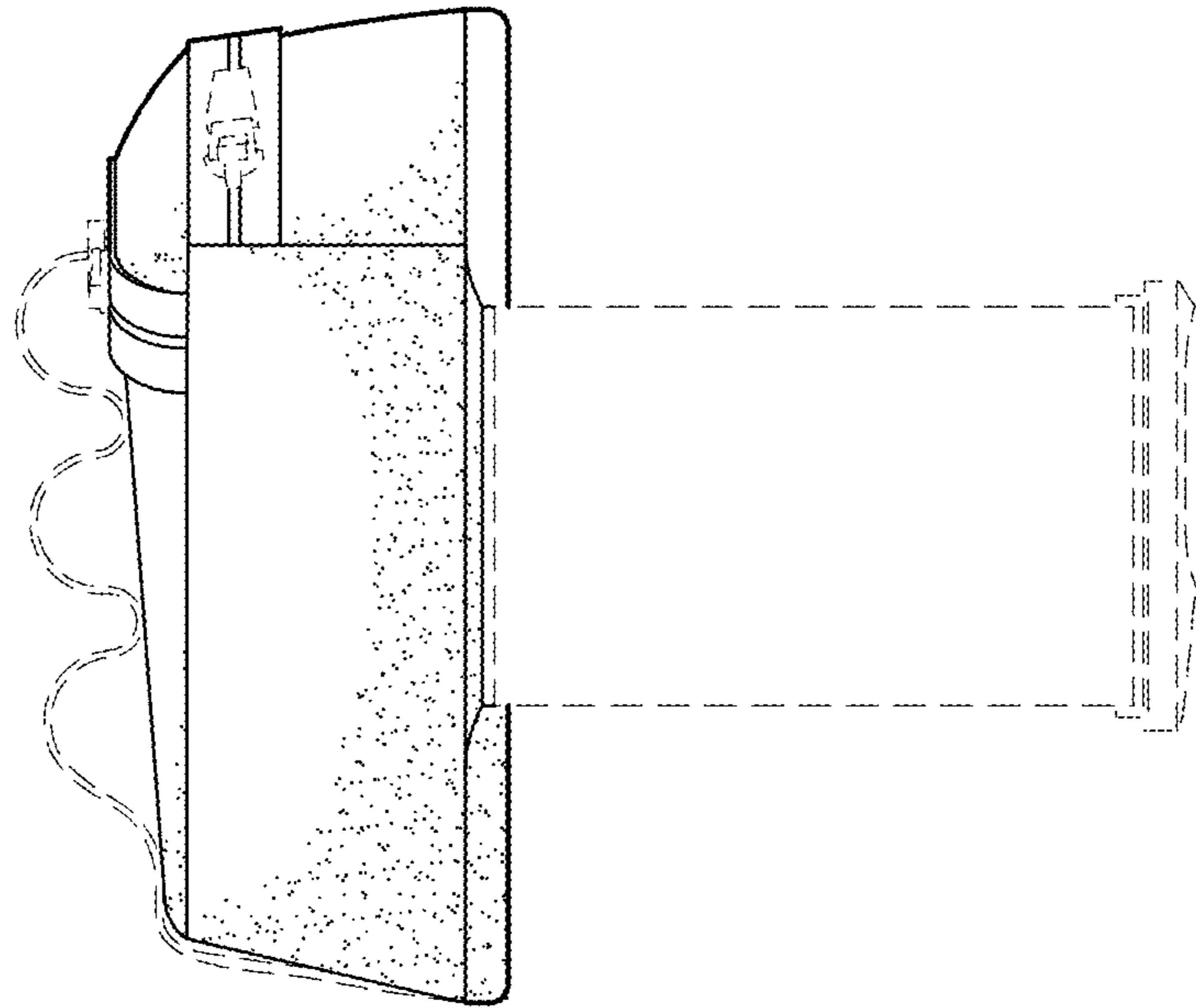


FIG. 4

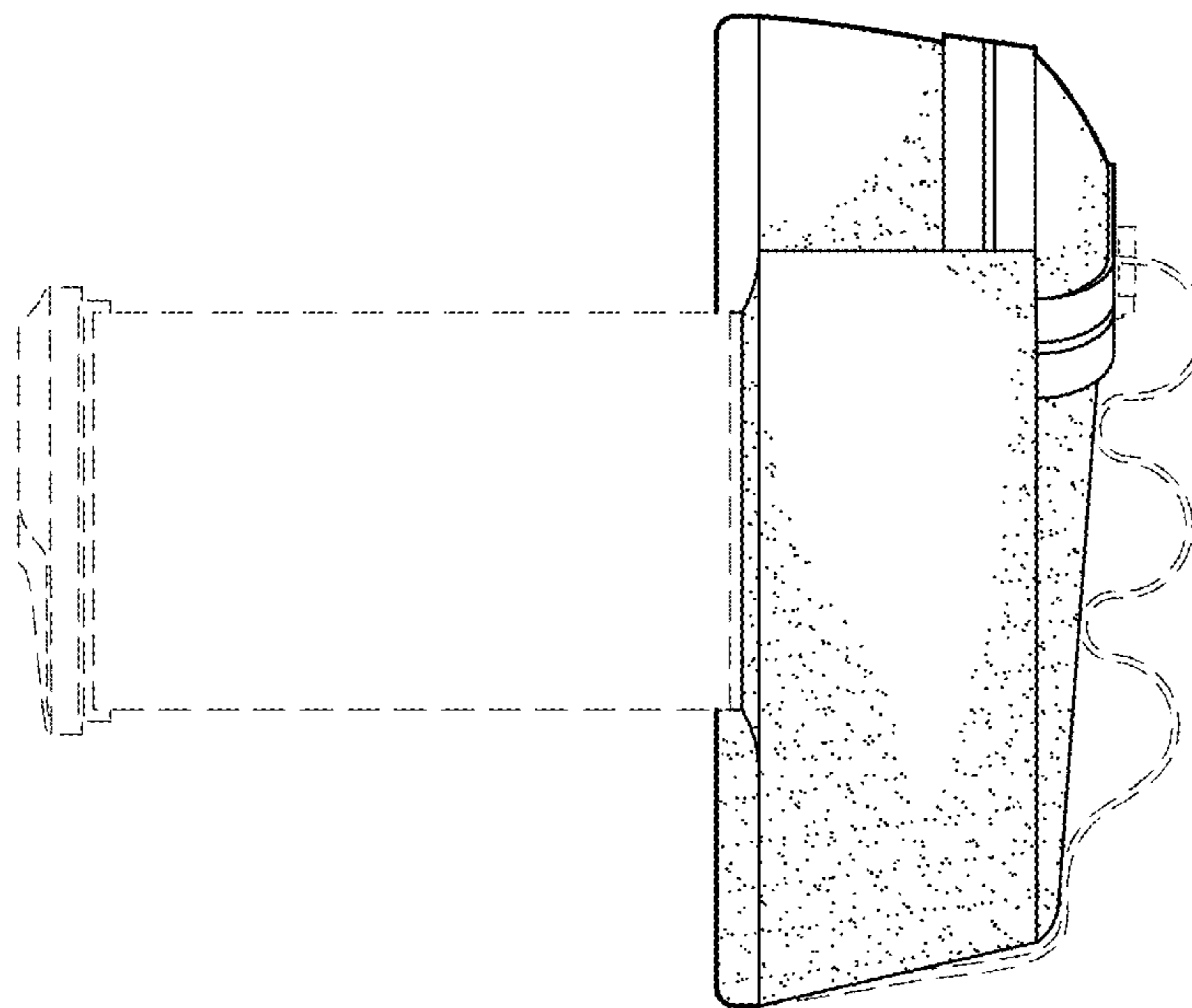


FIG. 5

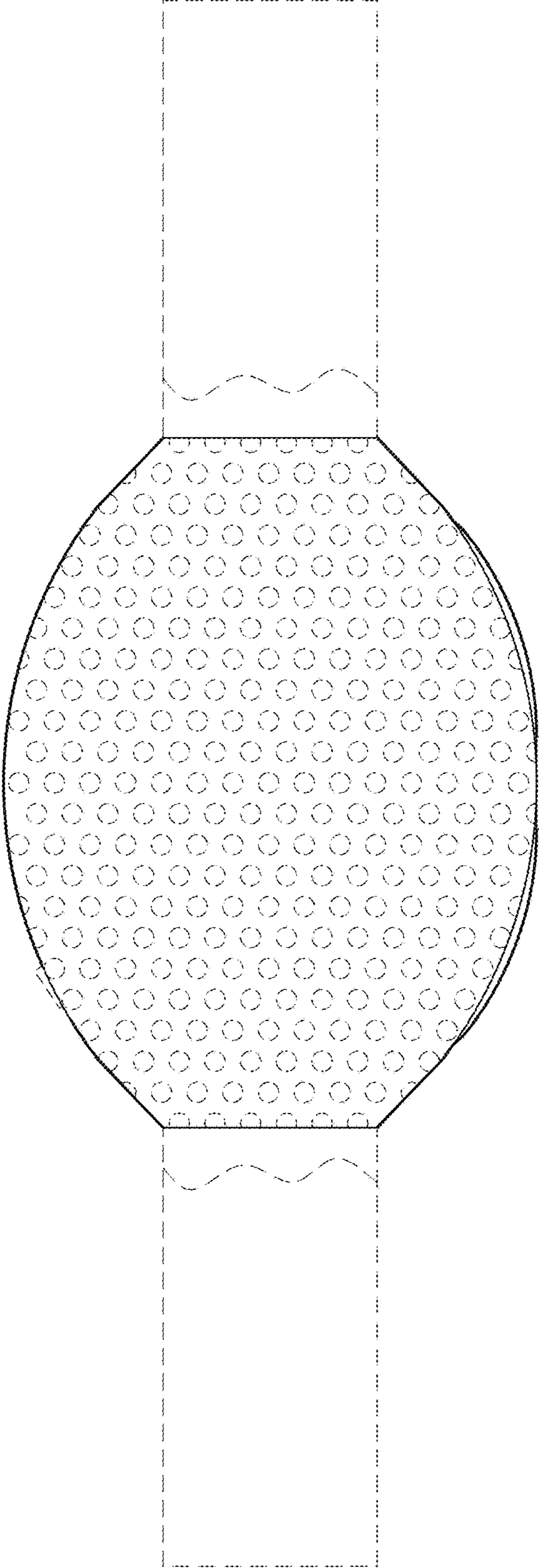


FIG.6

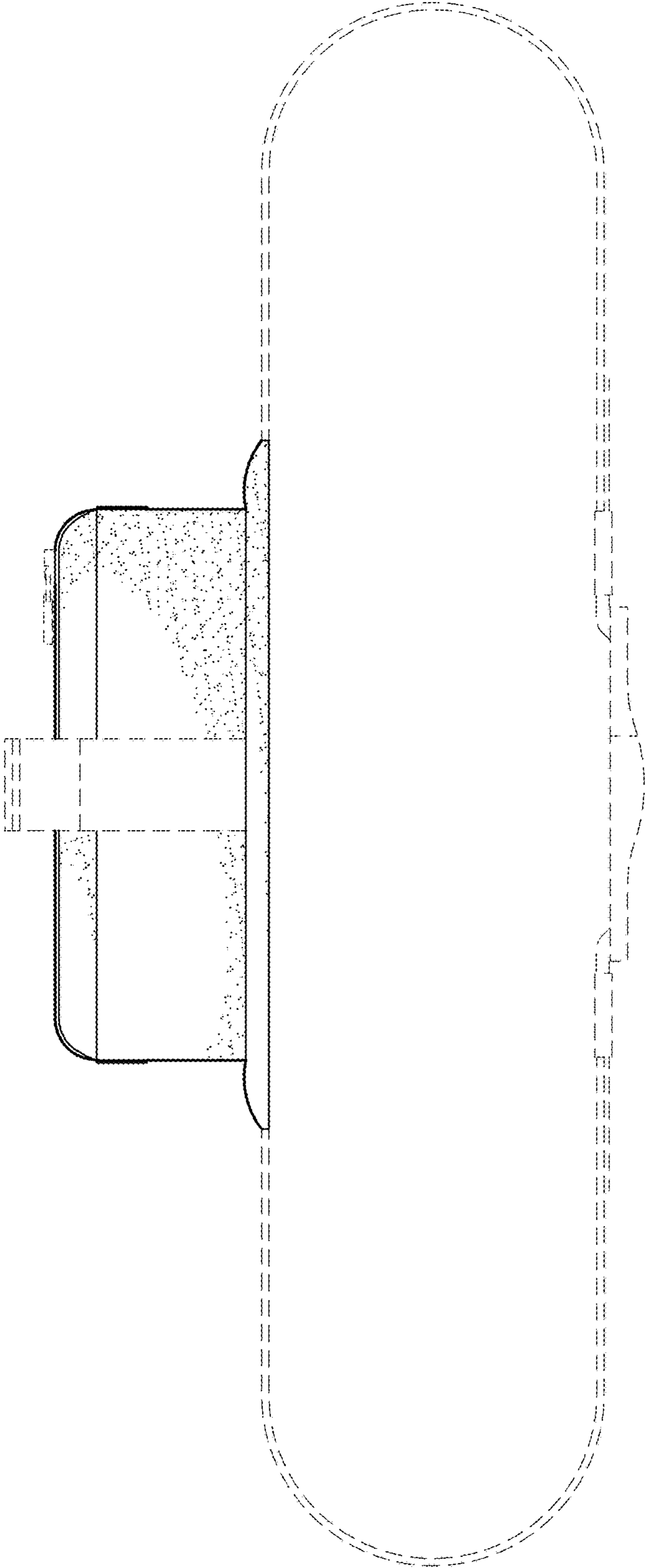


FIG. 7