



US00D772572S

(12) **United States Design Patent** (10) **Patent No.:** **US D772,572 S**
Palmborg et al. (45) **Date of Patent:** **** Nov. 29, 2016**

(54) **EAR PIECE CASE**

(71) Applicant: **Doppler Labs, Inc.**, New York, NY (US)
 (72) Inventors: **Jacob Palmborg**, Brooklyn, NY (US);
Andrew McIntyre, Brooklyn, NY (US)
 (73) Assignee: **Doppler Labs, Inc.**, San Francisco, CA (US)

(**) Term: **15 Years**

(21) Appl. No.: **29/533,875**

(22) Filed: **Jul. 22, 2015**

(51) **LOC (10) Cl.** **03-01**

(52) **U.S. Cl.**

USPC **D3/294**; D3/201

(58) **Field of Classification Search**

USPC D3/201, 264, 265, 266, 219, 274,
 D3/294–295; D14/204–205, 240; 206/5,
 206/5.1, 38, 523, 702; 455/575.1, 575.6;
 150/116; 381/182, 370, 381, 384, 388

CPC A45C 11/005; B65D 25/10; B65D 43/16;
 B65D 2313/04; B65D 2585/6835; H04R
 1/10; H04R 1/105; H04R 1/1033; H04R
 1/1058

See application file for complete search history.

(56) **References Cited**

U.S. PATENT DOCUMENTS

D281,033 S *	10/1985	Mohri	D3/295
D379,263 S *	5/1997	Sussman	D3/264
5,887,720 A *	3/1999	Lin	H04R 1/10
				206/38
D417,541 S *	12/1999	Conway	D3/263
D529,288 S *	10/2006	Ham	D3/274
D604,501 S *	11/2009	Lee	D3/201
D620,256 S *	7/2010	Fujimura	D3/294
D641,164 S *	7/2011	Cornu	D3/294
D659,991 S *	5/2012	Long, Jr.	D3/201

(Continued)

OTHER PUBLICATIONS

Waterproof Carrying Case Hard Case Box Headset Earphone Earbud Storage Pouch Bag, origin date unknown, print date Sep. 16, 2016.*

Primary Examiner — Catheri Oliver-Garcia

(74) *Attorney, Agent, or Firm* — Van Pelt, Yi & James LLP

(57) **CLAIM**

The ornamental design for an ear piece case, as shown and described.

DESCRIPTION

A portion of the disclosure of this patent document contains material which is subject to copyright protection. This patent document may show and/or describe matter which is or may become trade dress of the owner. The copyright and trade dress owner has no objection to the facsimile reproduction by anyone of the patent disclosure as it appears in the Patent and Trademark Office patent files or records, but otherwise reserves all copyright and trade dress rights whatsoever.

FIG. 1 is a front, top and left side perspective view of an ear piece case in a closed position.

FIG. 2 is a front elevation view thereof.

FIG. 3 is a rear elevation view thereof.

FIG. 4 is a left side elevation view thereof.

FIG. 5 is a right side elevation view thereof.

FIG. 6 is a top plan view thereof.

FIG. 7 is a bottom plan view thereof.

FIG. 8 is a front, top and left side perspective view of an ear piece case in an open position.

FIG. 9 is a front elevation view thereof.

FIG. 10 is a rear elevation view thereof.

FIG. 11 is a left side elevation view thereof.

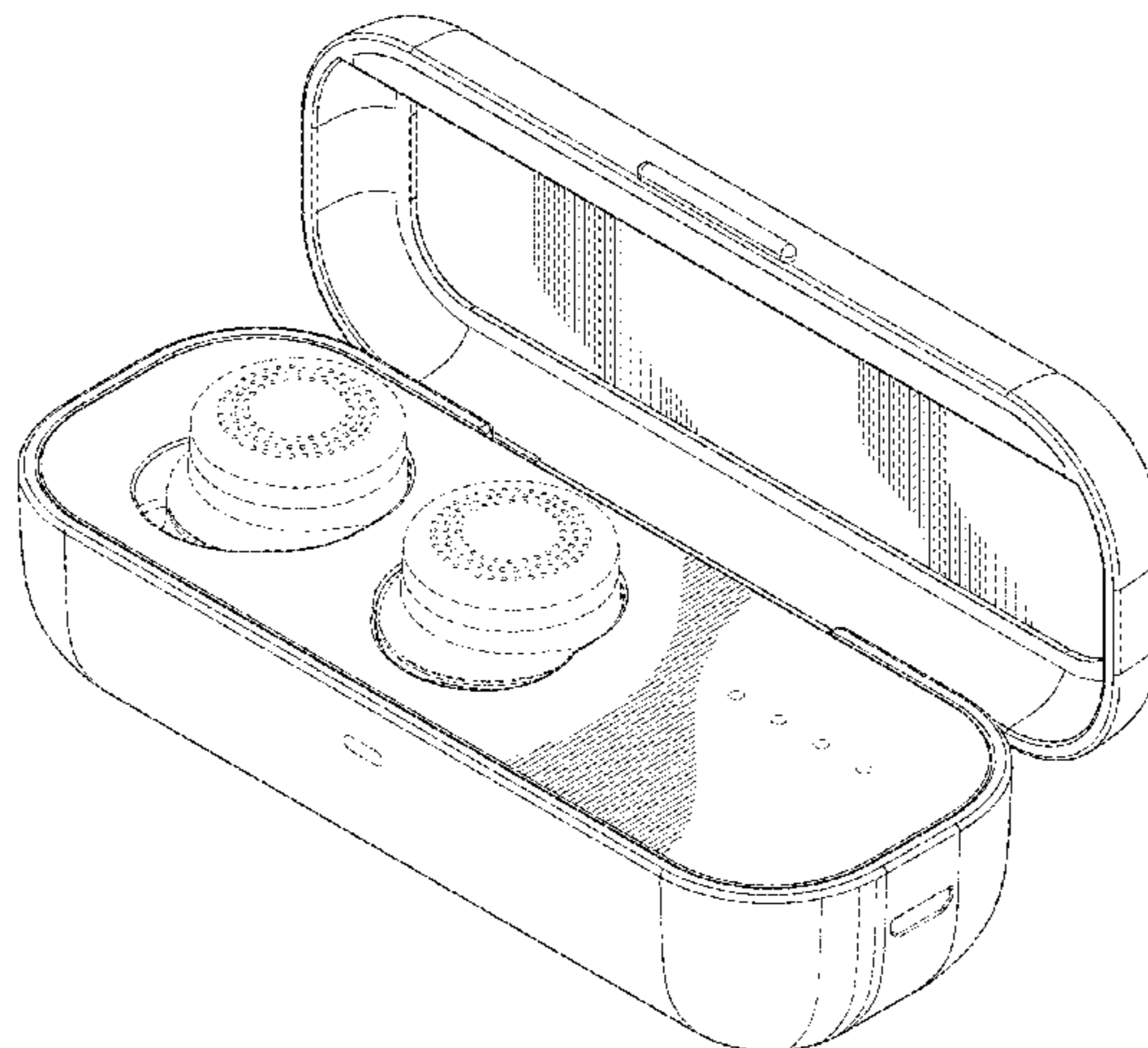
FIG. 12 is a right side elevation view thereof.

FIG. 13 is a top plan view thereof; and,

FIG. 14 is a bottom plan view thereof.

The broken lines depict environment and are for illustrative purposes only and form no part of the claimed design.

1 Claim, 10 Drawing Sheets



US D772,572 S

Page 2

(56)

References Cited

U.S. PATENT DOCUMENTS

D705,532 S *	5/2014	Kolton	D3/201
D731,793 S *	6/2015	Houghton	D3/294
D740,018 S *	10/2015	Zhang	D3/201
D682,550 S *	5/2013	Chun	D3/294

* cited by examiner

FIG. 1

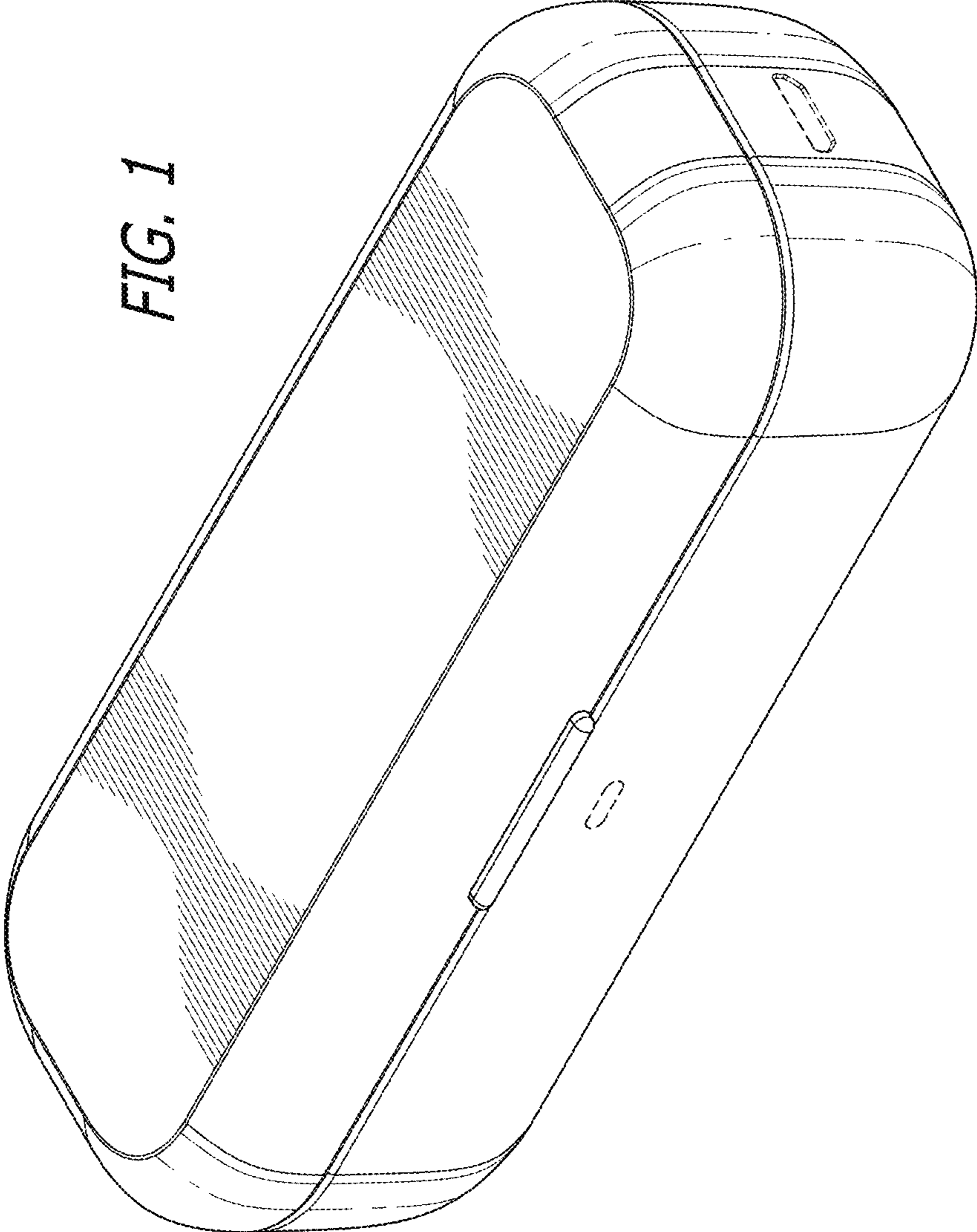


FIG. 2

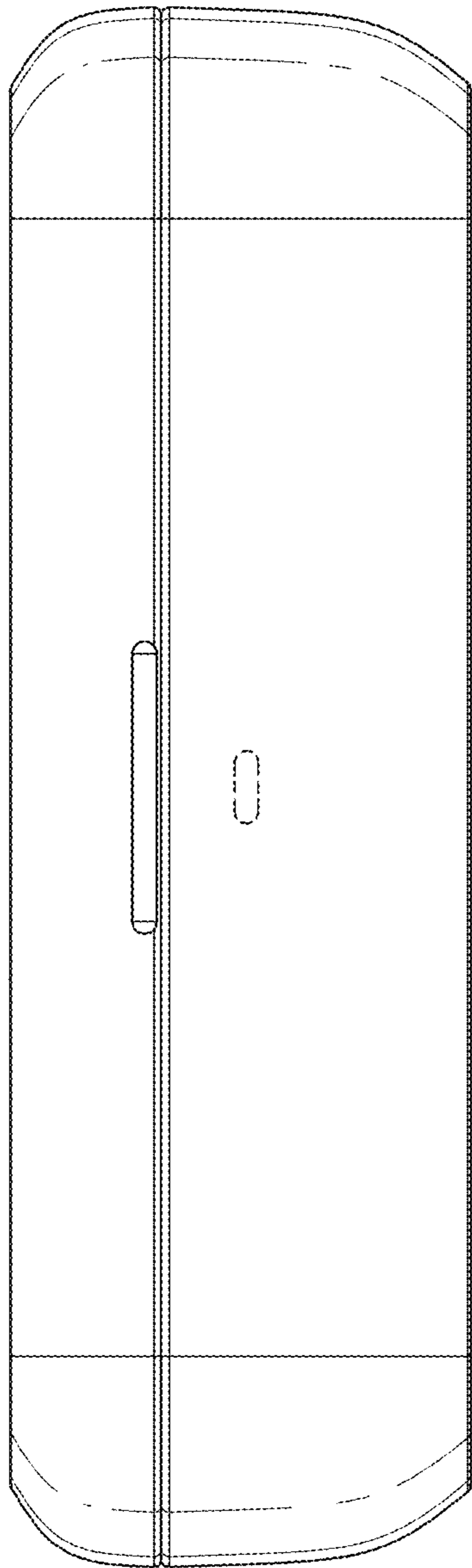


FIG. 3

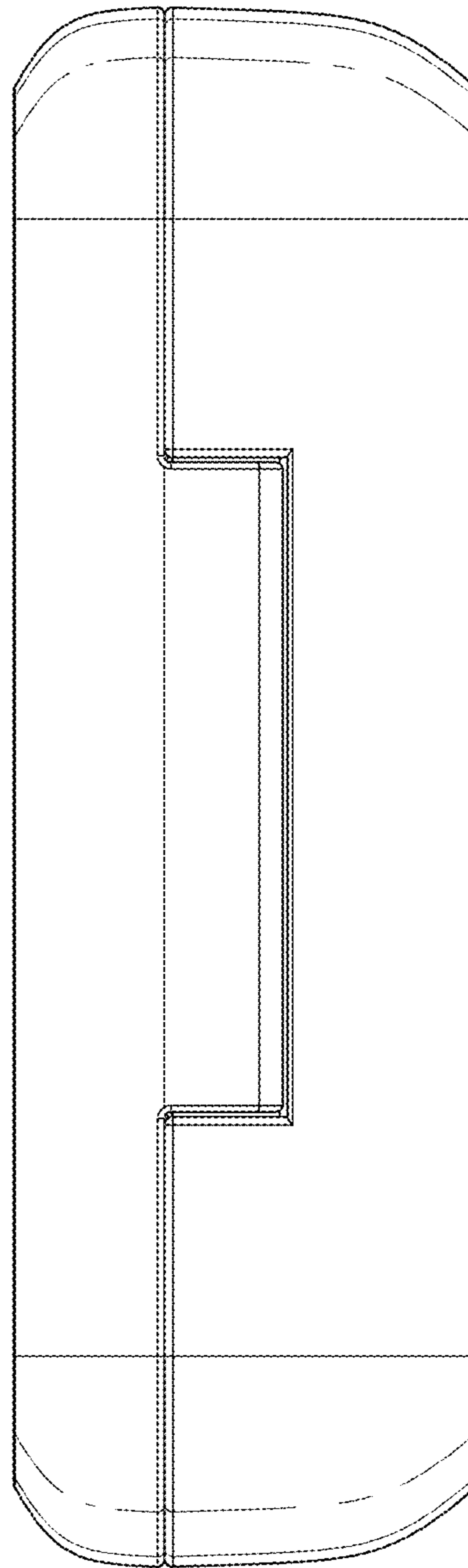


FIG. 4

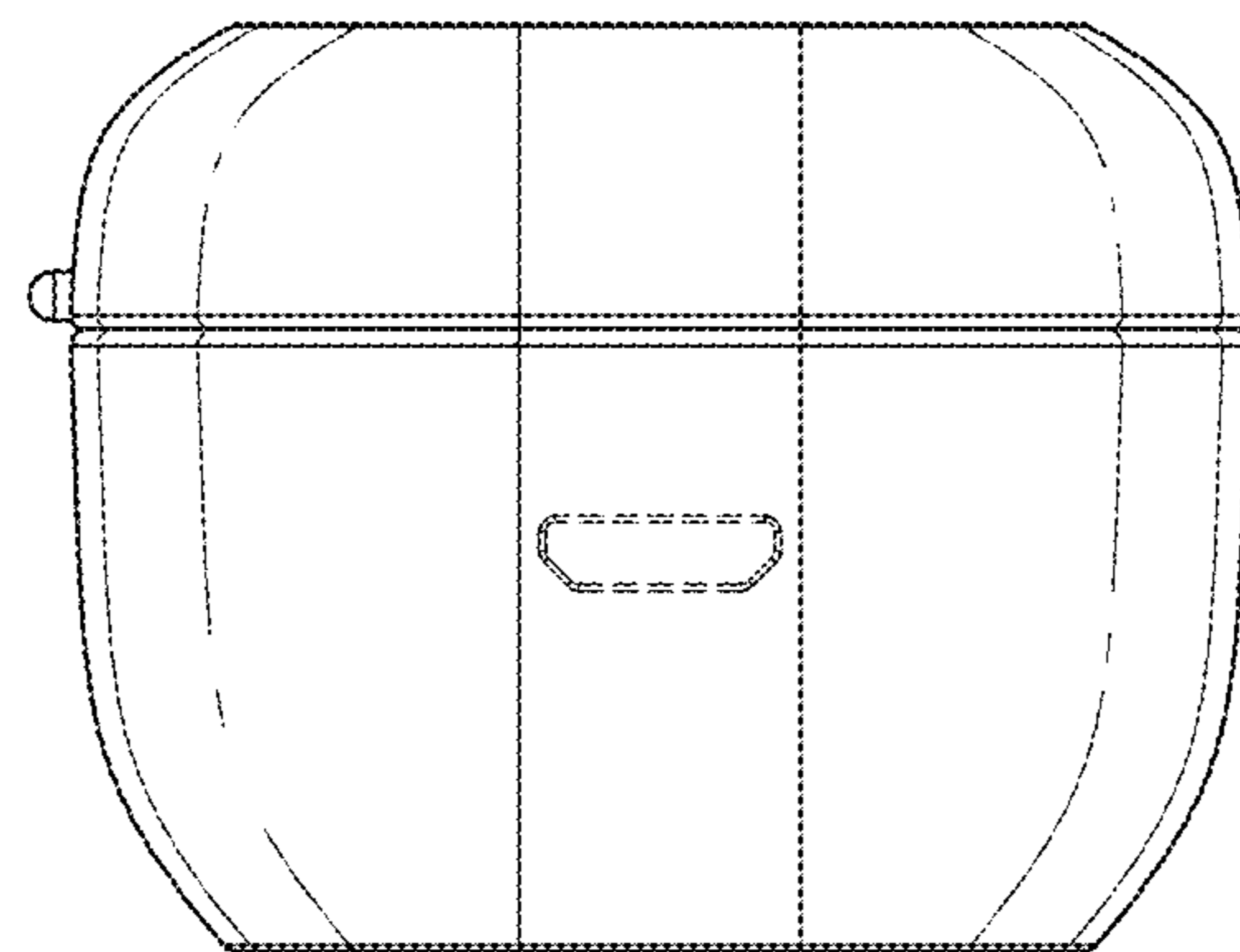
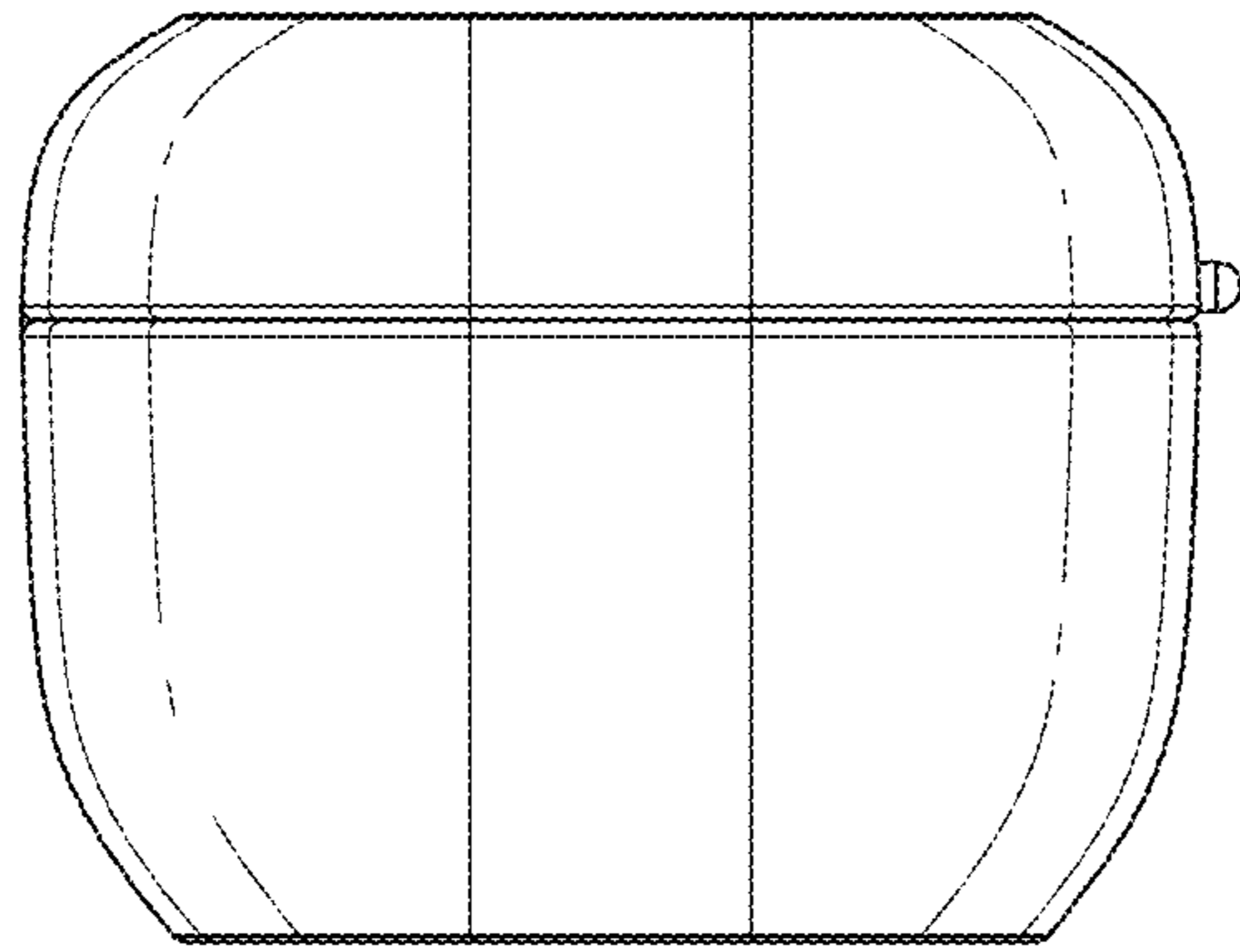


FIG. 5

FIG. 6

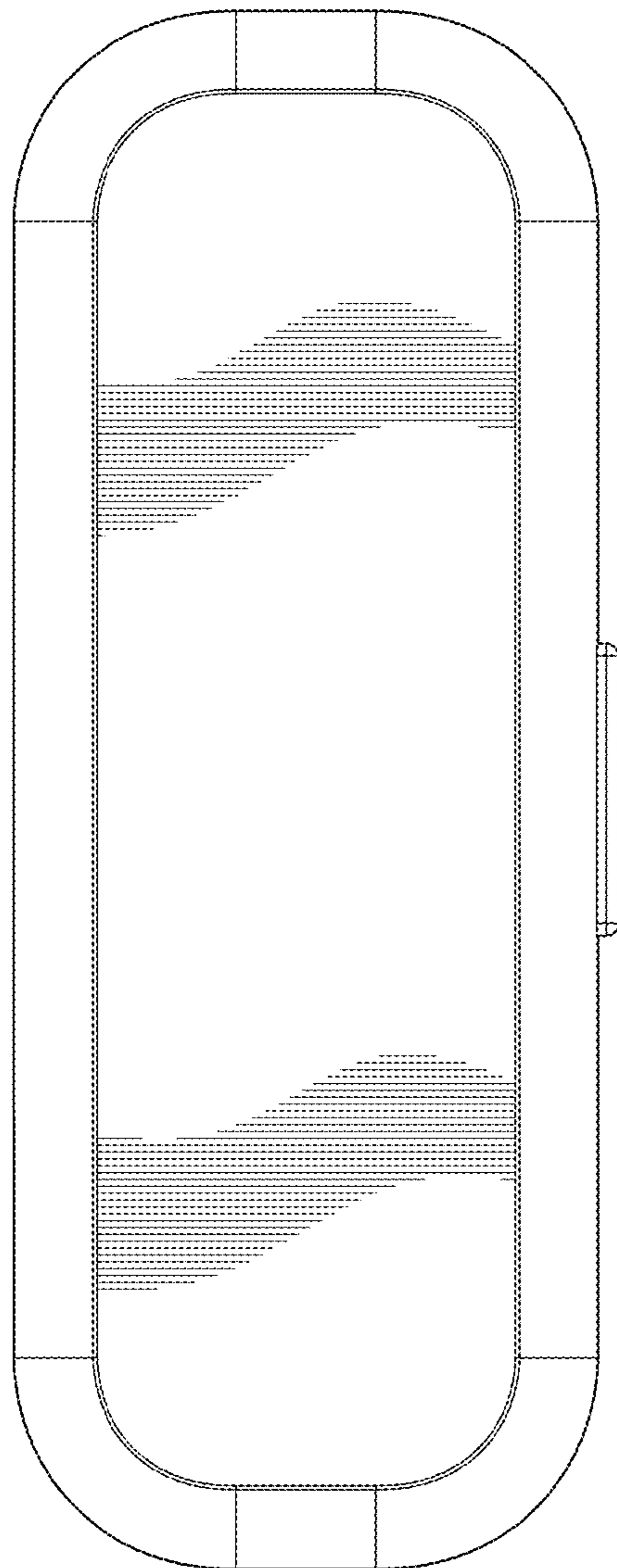


FIG. 7

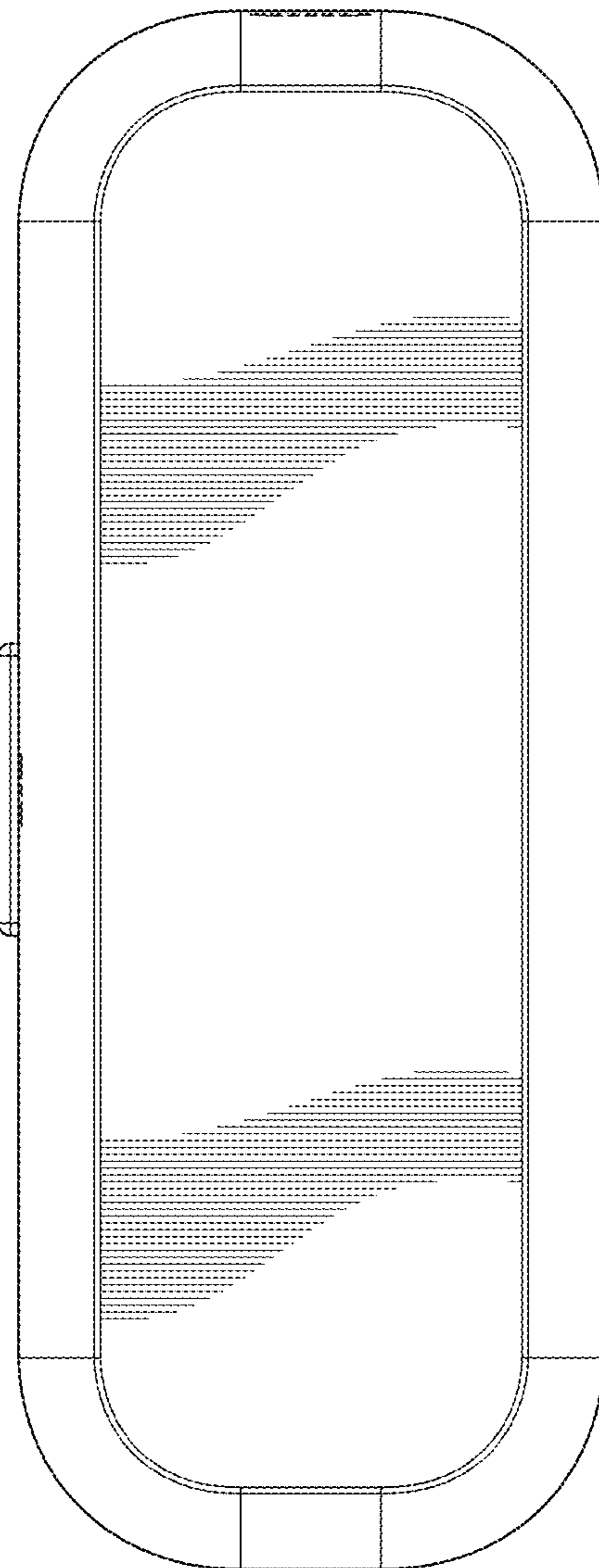
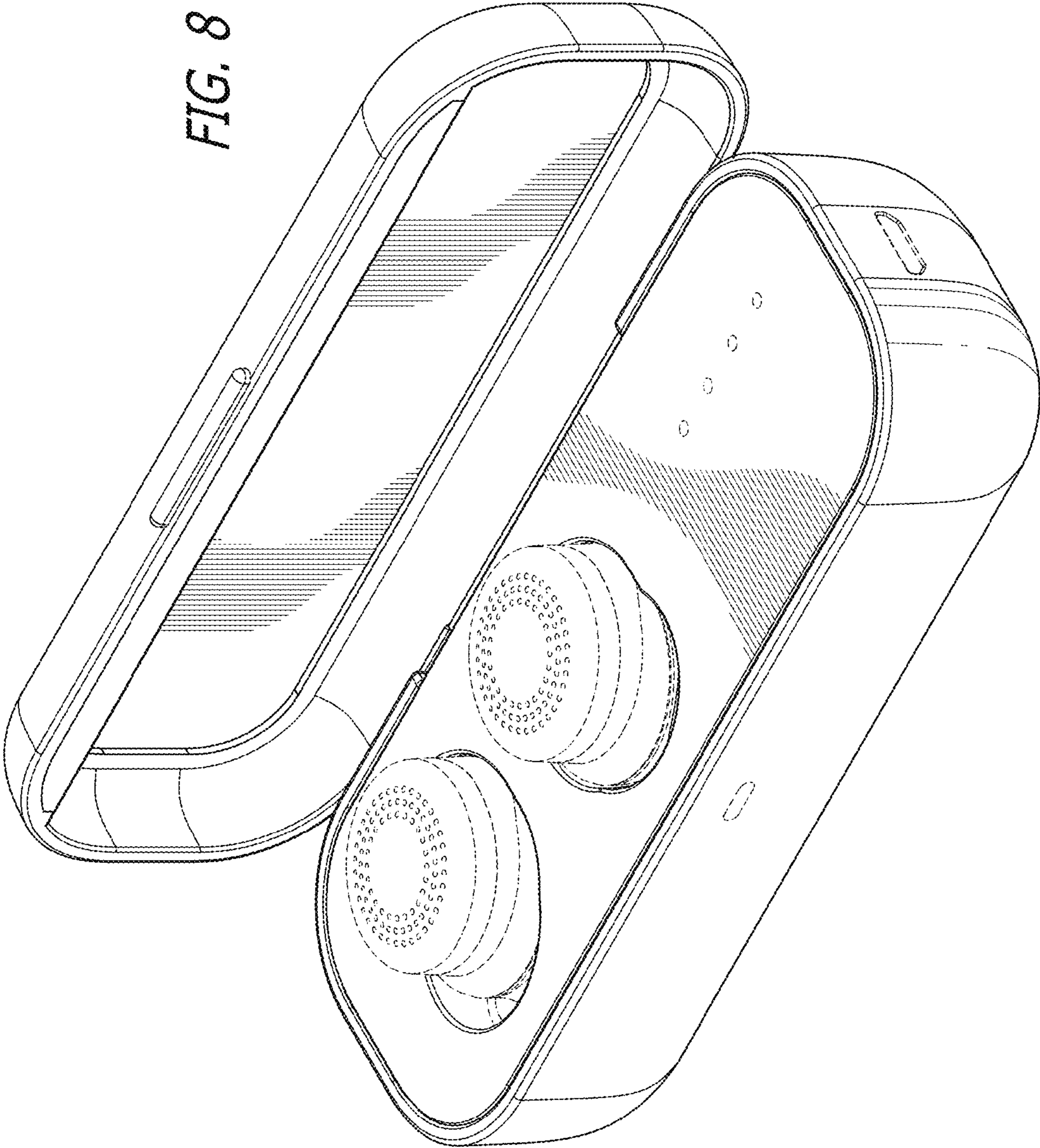


FIG. 8



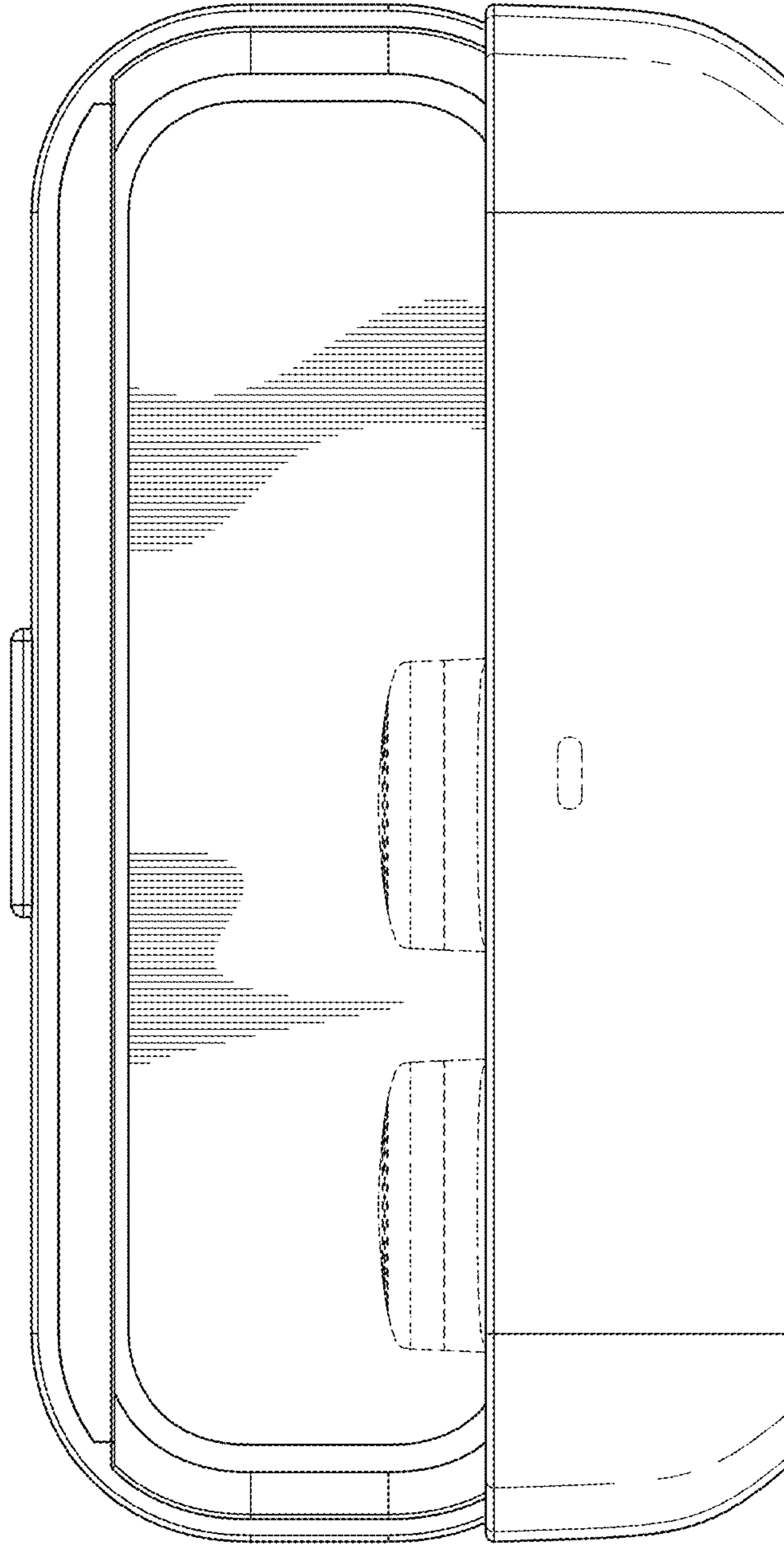


FIG. 9

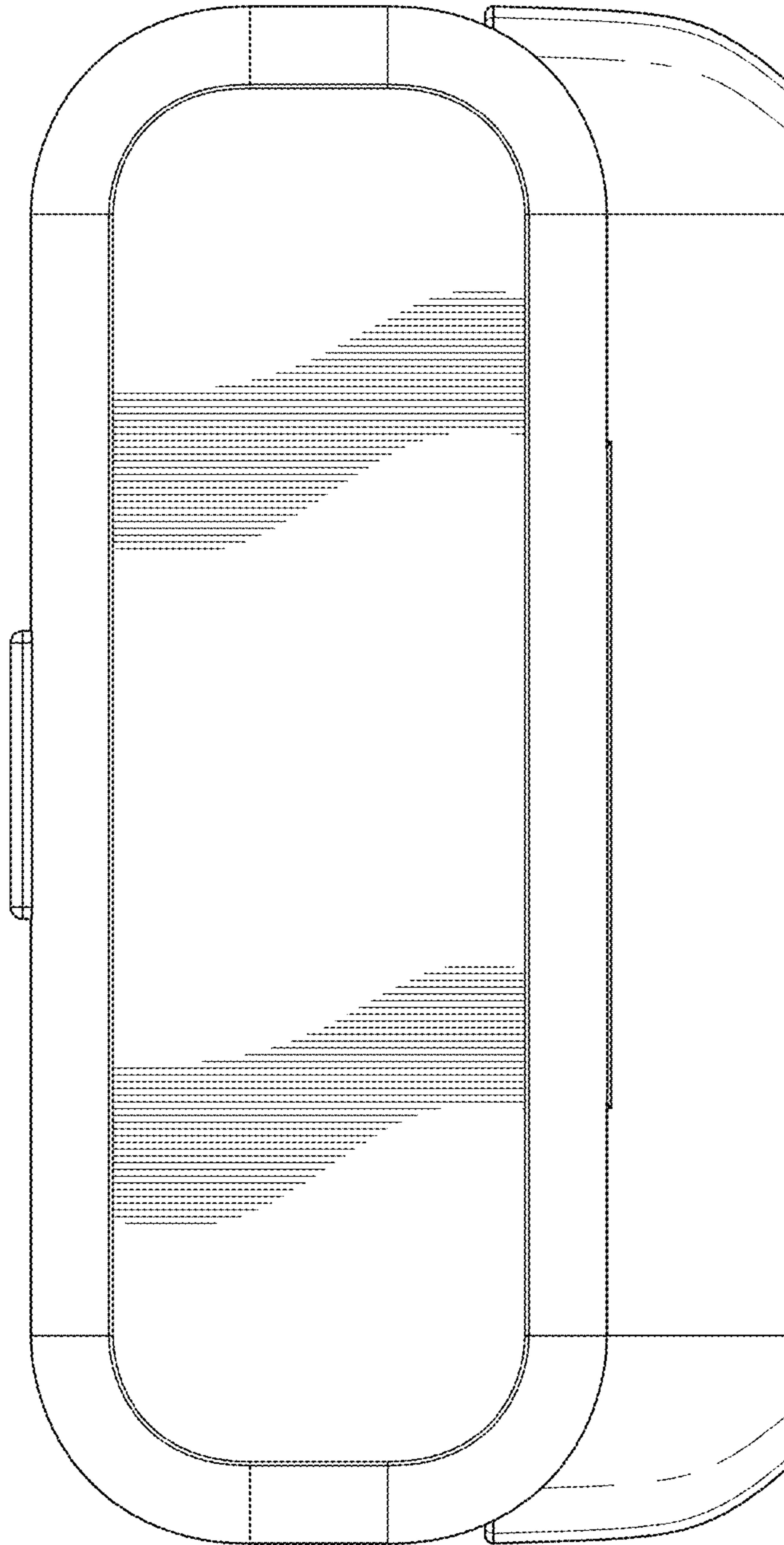


FIG. 10

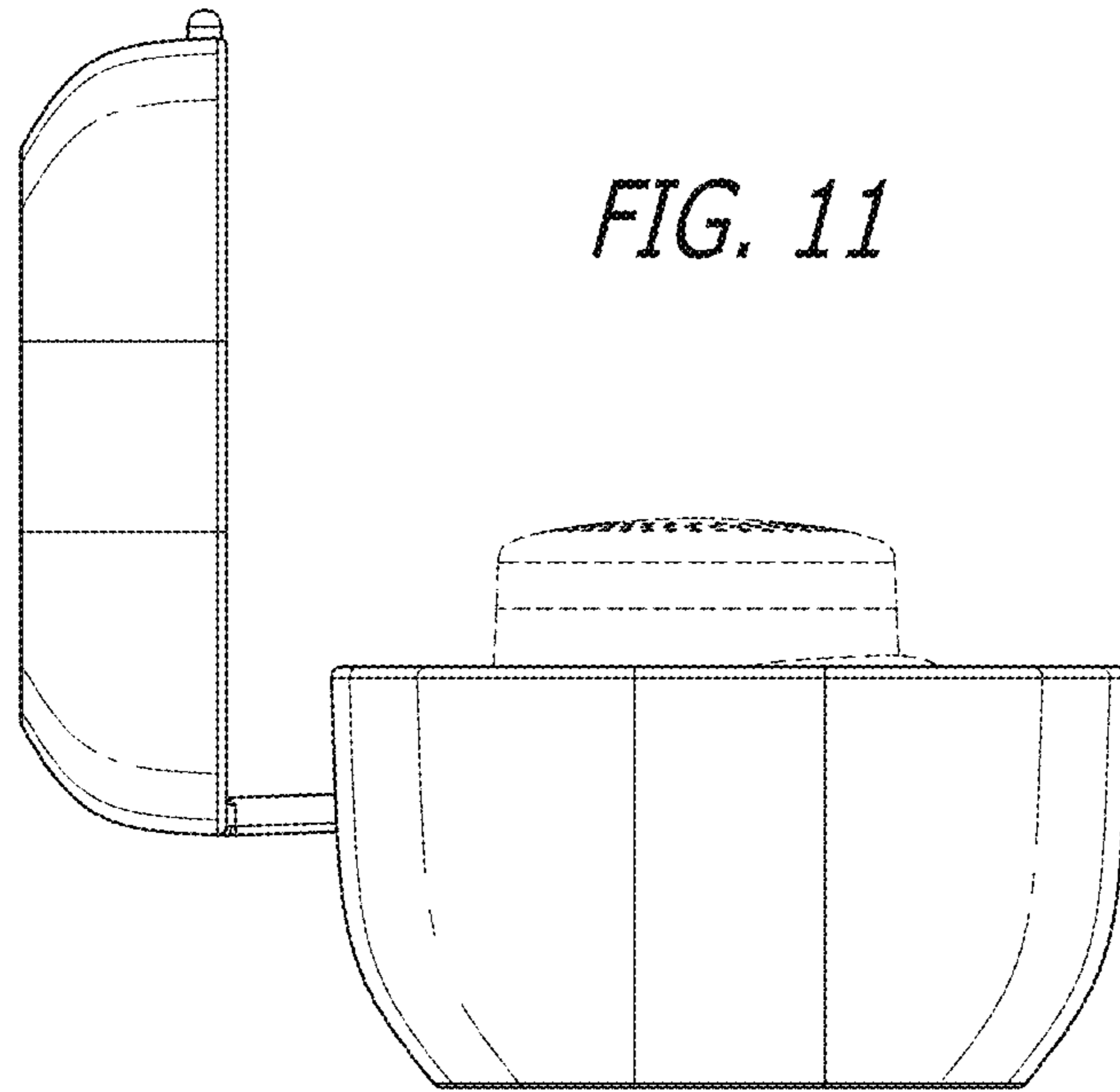
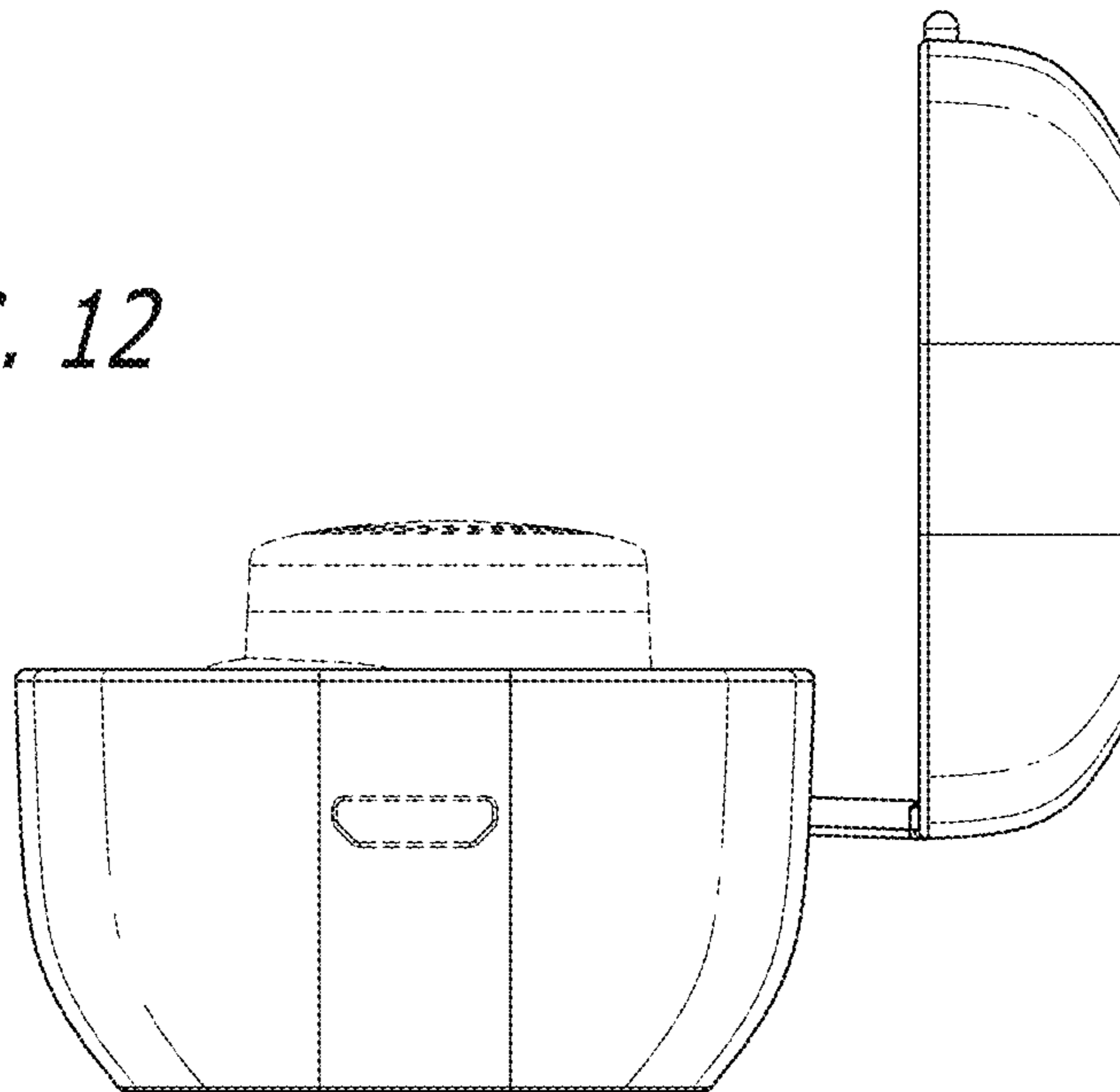


FIG. 11

FIG. 12



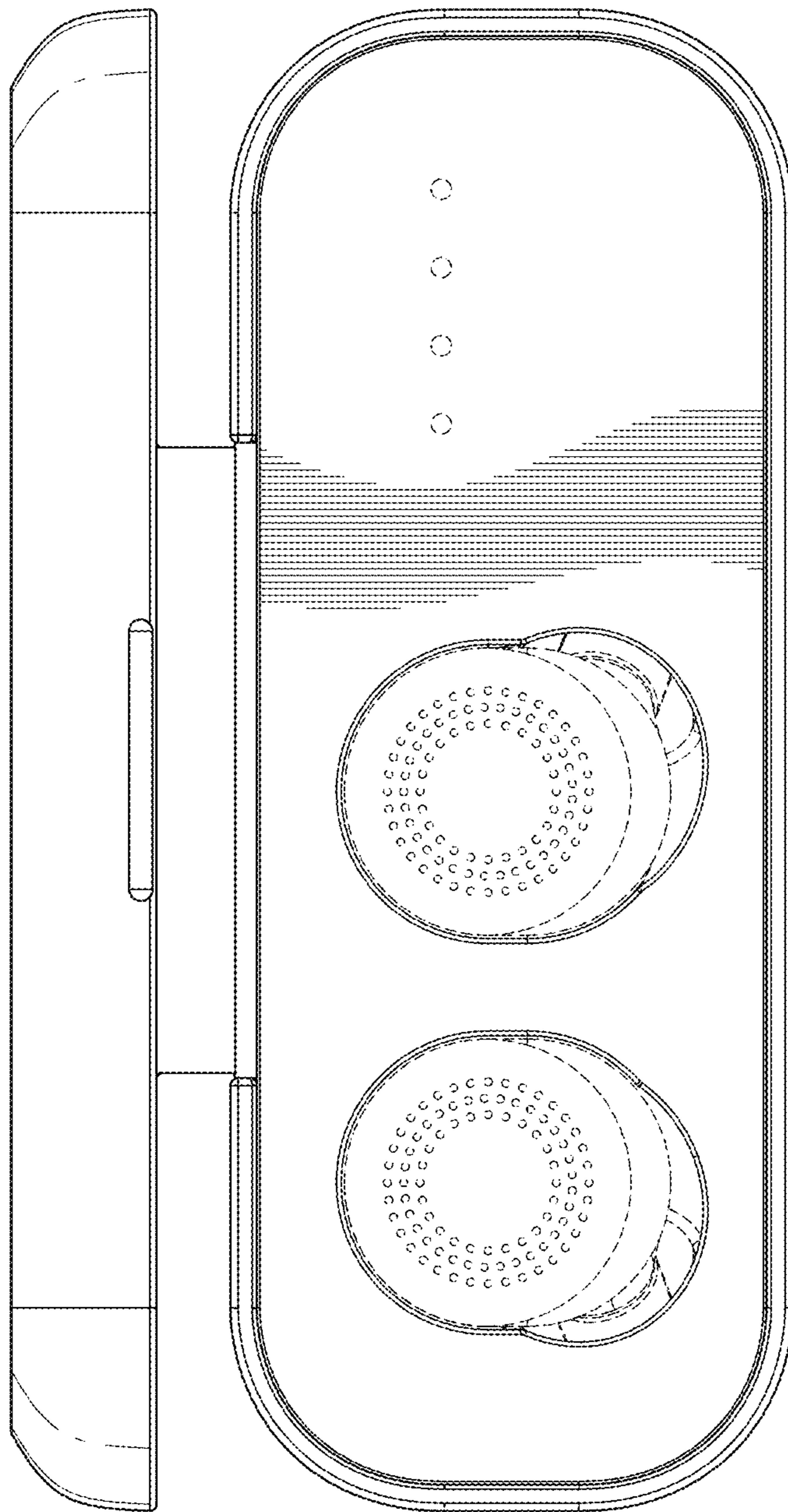


FIG. 13

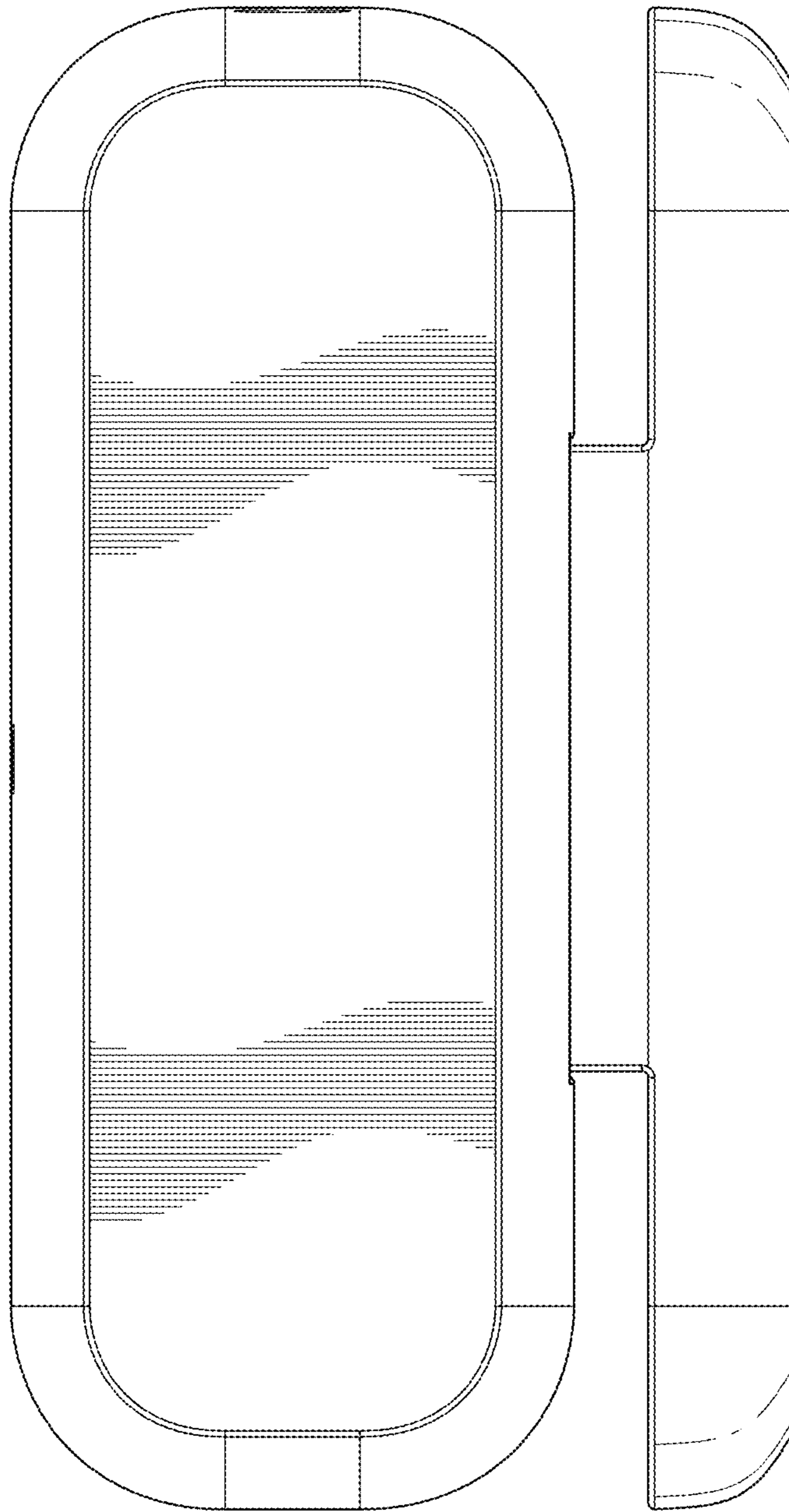


FIG. 14