



US00D772570S

(12) **United States Design Patent** (10) **Patent No.:** **US D772,570 S**
Dermody et al. (45) **Date of Patent:** **** Nov. 29, 2016**

(54) **BALL RECEPTACLE**

(71) Applicant: **GREEN BOX ENTERPRISES, LLC**,
Verona, WI (US)

(72) Inventors: **William Dermody**, Verona, WI (US);
William Dorr, Madison, WI (US);
Kenneth Hsieh, Ann Arbor, MI (US);
David Gennrich, Fitchburg, WI (US);
Corin Frost, Madison, WI (US)

(73) Assignee: **GREEN BOX ENTERPRISES, LLC**,
Verona, WI (US)

(**) Term: **14 Years**

(21) Appl. No.: **29/526,408**

(22) Filed: **May 8, 2015**

(51) **LOC (10) Cl.** **03-01**

(52) **U.S. Cl.**
USPC **D3/257; D6/552**

(58) **Field of Classification Search**
USPC D3/254, 257, 201, 221, 273, 315, 328;
D6/552; D21/796
CPC A63B 47/00; A63B 47/002; A63B 47/02;
A63B 71/0045
See application file for complete search history.

(56) **References Cited**

U.S. PATENT DOCUMENTS

- 4,046,284 A * 9/1977 Samuelsson A63B 71/0697
221/281
- 4,629,065 A * 12/1986 Braaten A63B 69/0002
206/315.1
- 5,294,161 A * 3/1994 Stap A63B 47/02
294/19.2
- 5,368,351 A * 11/1994 Cuti A63B 47/02
248/132

(Continued)

Primary Examiner — Mitchell Siegel

(74) *Attorney, Agent, or Firm* — Quarles & Brady LLP

(57) **CLAIM**

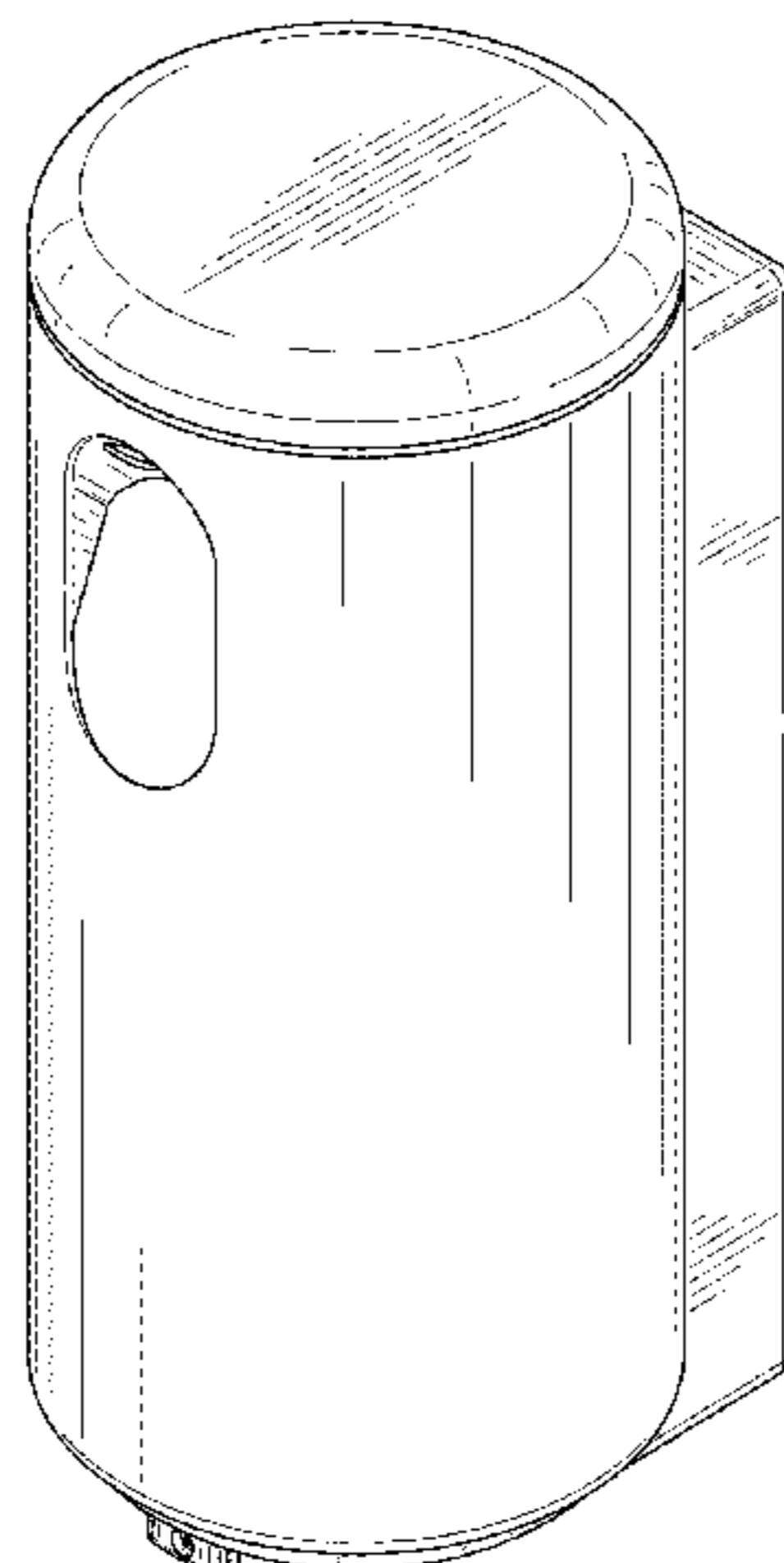
The ornamental design for a ball receptacle, as shown and described.

DESCRIPTION

FIG. 1 is an isometric view of a top, front, and left side of an ornamental design for a ball receptacle;
 FIG. 2 is an isometric view of a bottom, front, and right side of the ball receptacle of FIG. 1;
 FIG. 3 is a front elevational view of the ball receptacle of FIG. 1;
 FIG. 4 is a rear elevational view of the ball receptacle of FIG. 1;
 FIG. 5 is a left side elevational view of the ball receptacle of FIG. 1;
 FIG. 6 is a right side elevational view of the ball receptacle of FIG. 1;
 FIG. 7 is a top plan view of the ball receptacle of FIG. 1;
 FIG. 8 is a bottom plan view of the ball receptacle of FIG. 1;
 FIG. 9 is an isometric view of the top, front and left side of a second embodiment for a ball receptacle;
 FIG. 10 is an isometric view of a bottom, front, and right side of the ball receptacle of FIG. 9;
 FIG. 11 is a front elevational view of the ball receptacle of FIG. 9;
 FIG. 12 is a rear elevational view of the ball receptacle of FIG. 9;
 FIG. 13 is a left side elevational view of the ball receptacle of FIG. 9;
 FIG. 14 is a right side elevational view of the ball receptacle of FIG. 9;
 FIG. 15 is a top plan view of the ball receptacle of FIG. 9; and
 FIG. 16 is a bottom plan view of the ball receptacle of FIG. 9.

The dash-dash-dash-dash broken lines are for the purpose of illustrating environmental structure and form no part of the claimed design. The dash-dot-dash-dot broken lines shown in the embodiments depicted in FIGS. 9-16 define the boundary of the claimed design.

1 Claim, 10 Drawing Sheets



(56)

References Cited

U.S. PATENT DOCUMENTS

5,462,328	A *	10/1995	Chandler	A63B 47/00	224/919			
5,464,262	A *	11/1995	Madrazo	A63B 47/02	294/19.2			
D366,143	S *	1/1996	Guzman	D3/221				
5,860,658	A *	1/1999	Callahan	A63B 47/02	280/30			
D454,607	S *	3/2002	Cuti	D21/721				
6,719,306	B2 *	4/2004	White	A63B 47/002	206/315.5			
6,955,615	B1 *	10/2005	Cavell	A63B 69/0002	473/451			
D552,351	S *	10/2007	Bauers	D21/721				
D600,962	S *	9/2009	St. Peter	D6/552				
D698,186	S *	1/2014	Funchess	D6/552				

* cited by examiner

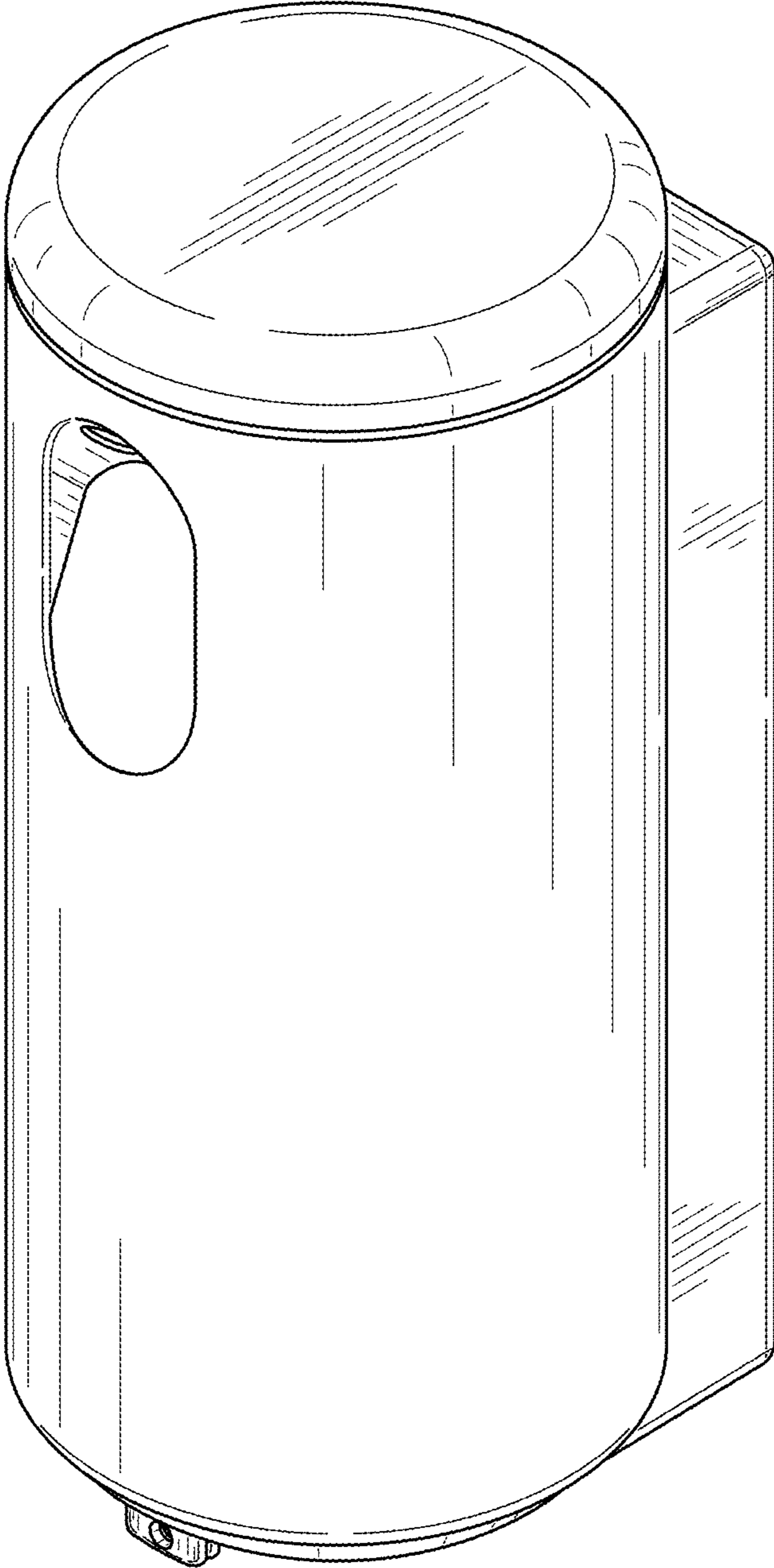


FIG. 1

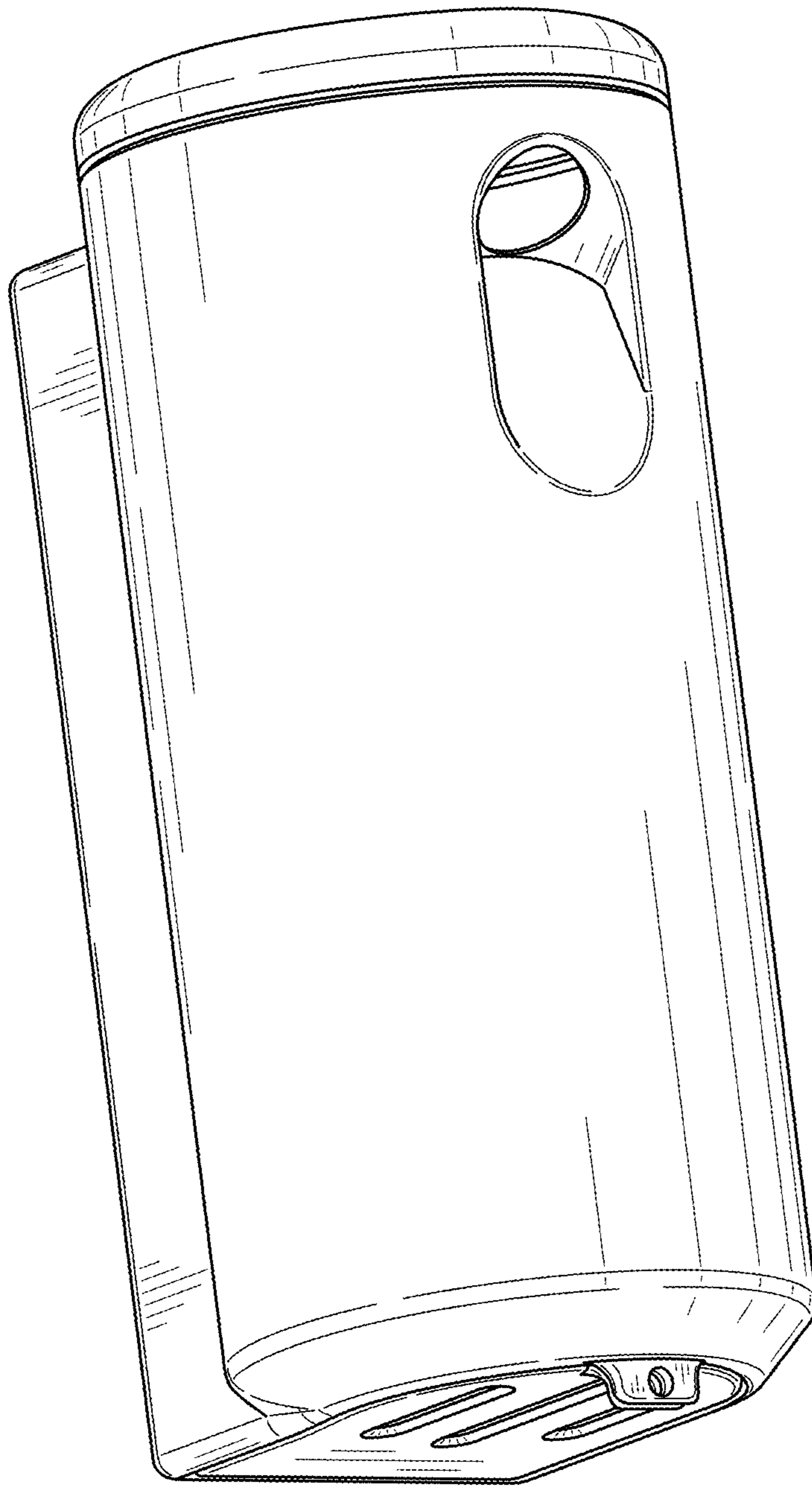


FIG. 2

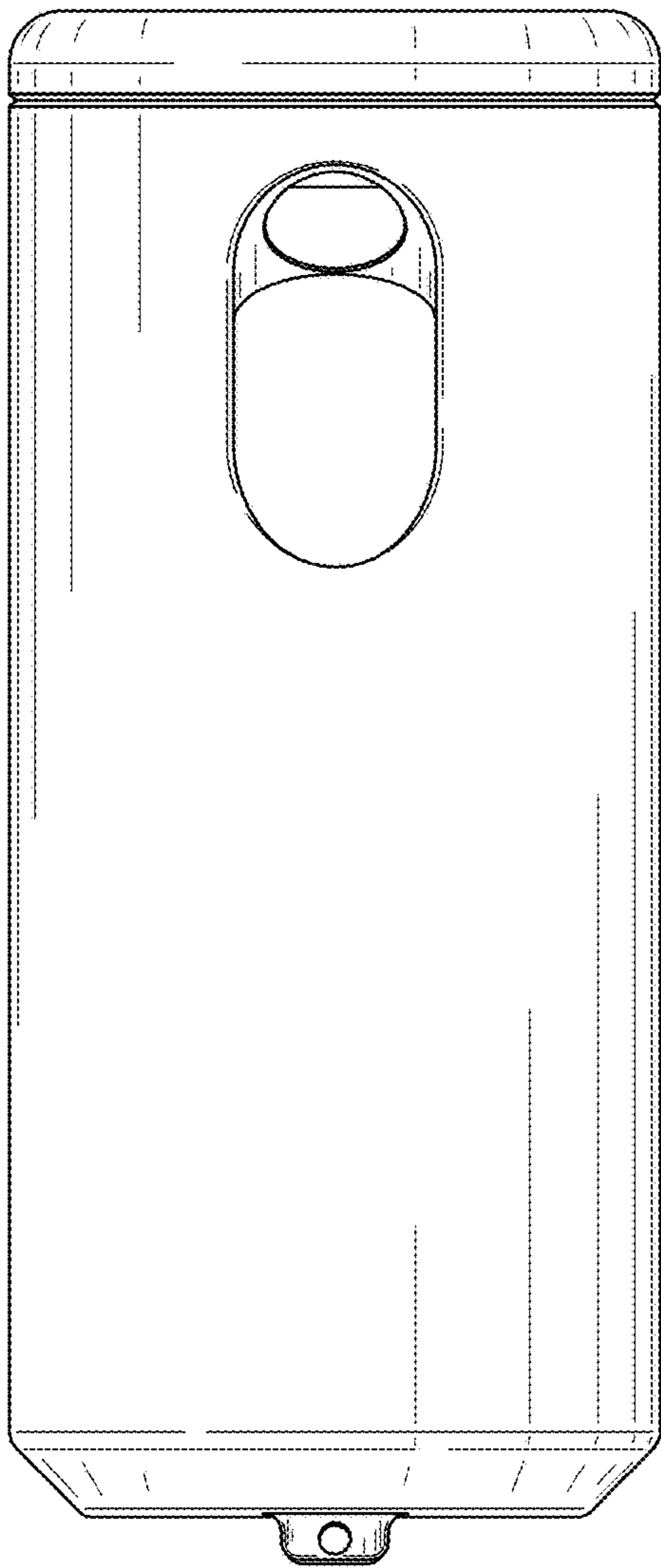


FIG. 3

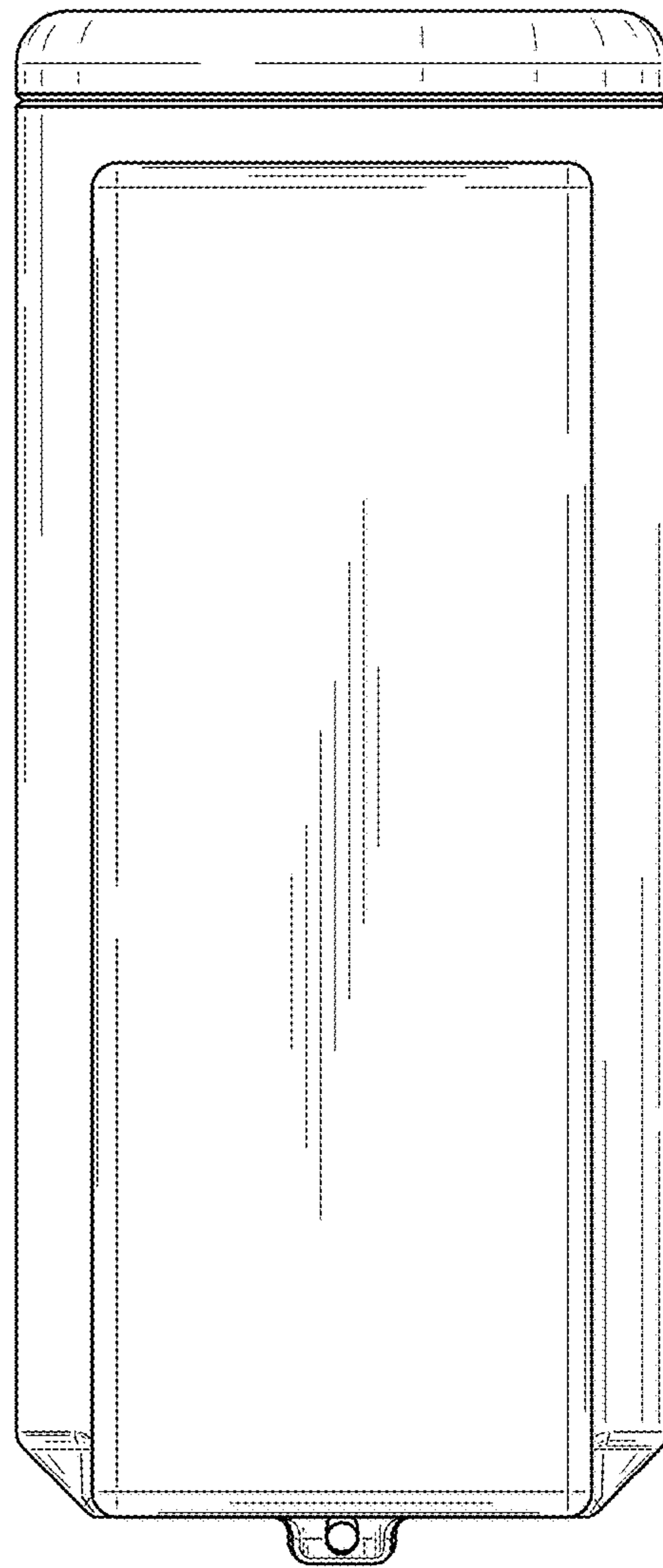


FIG. 4

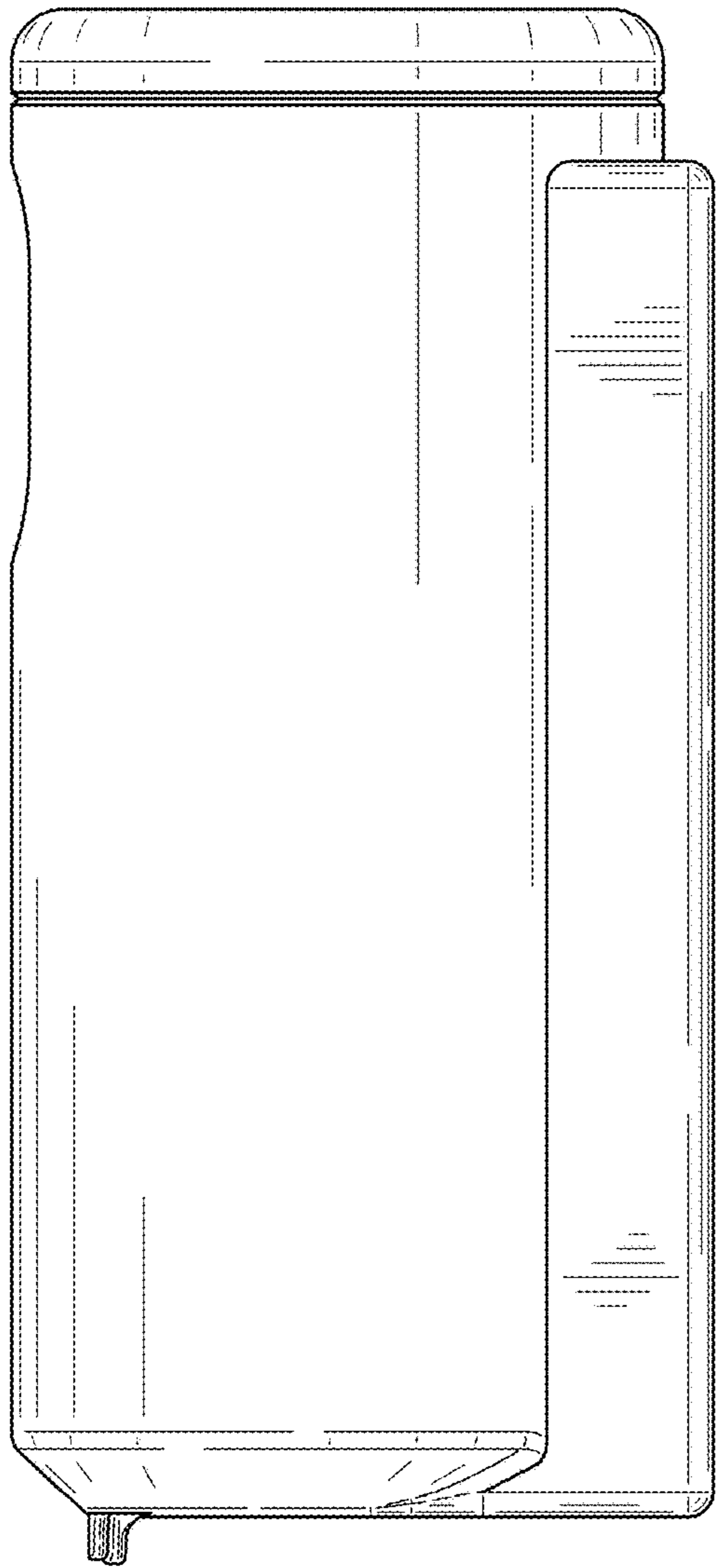


FIG. 5

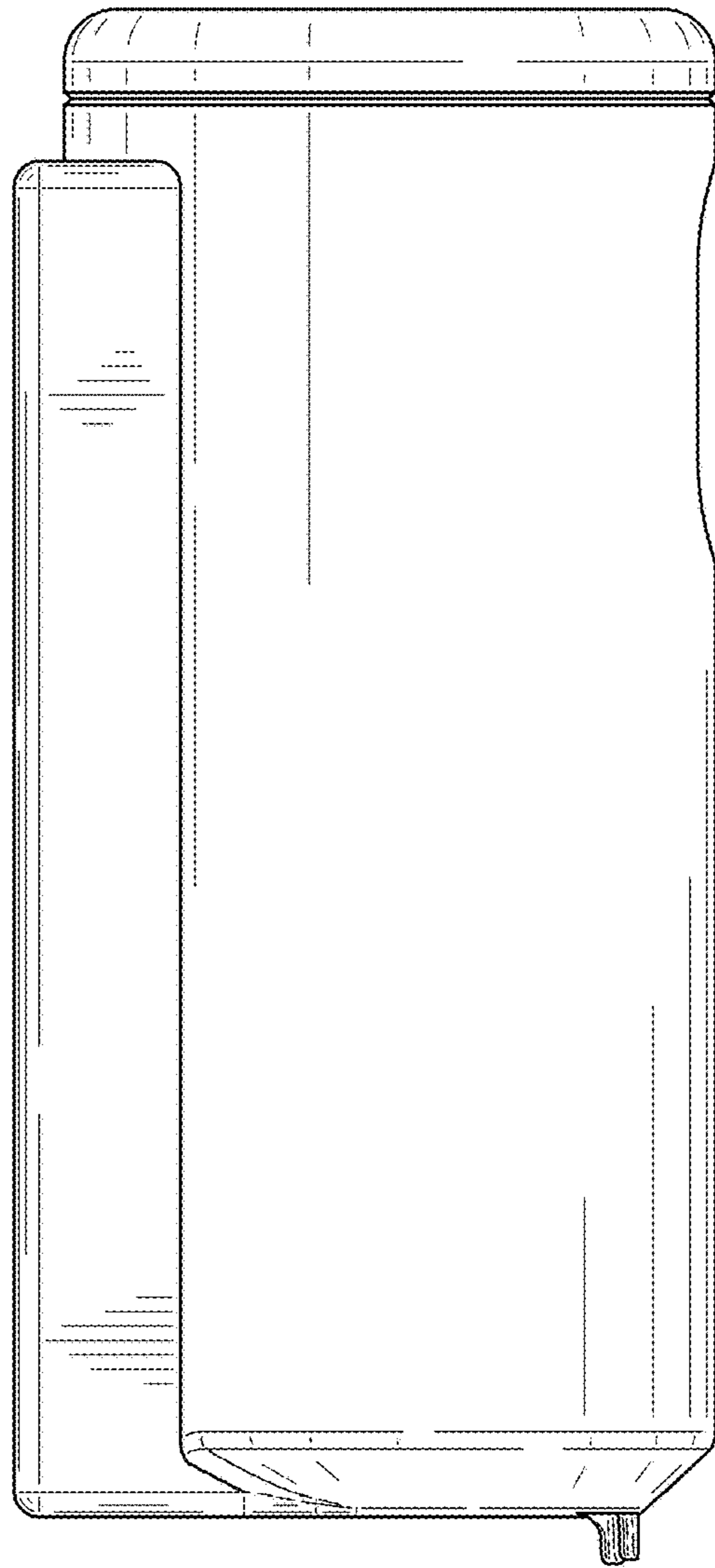


FIG. 6

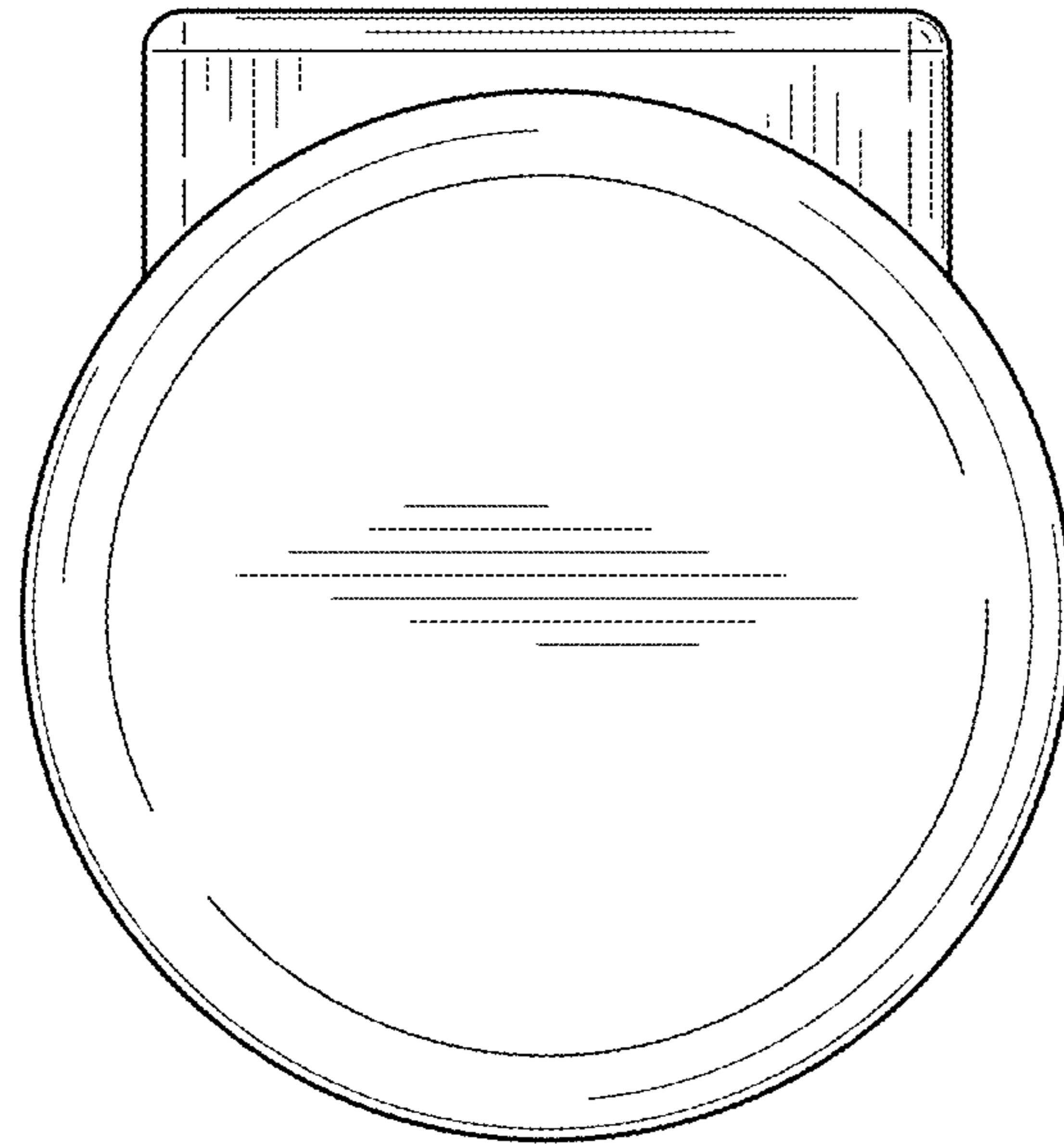


FIG. 7

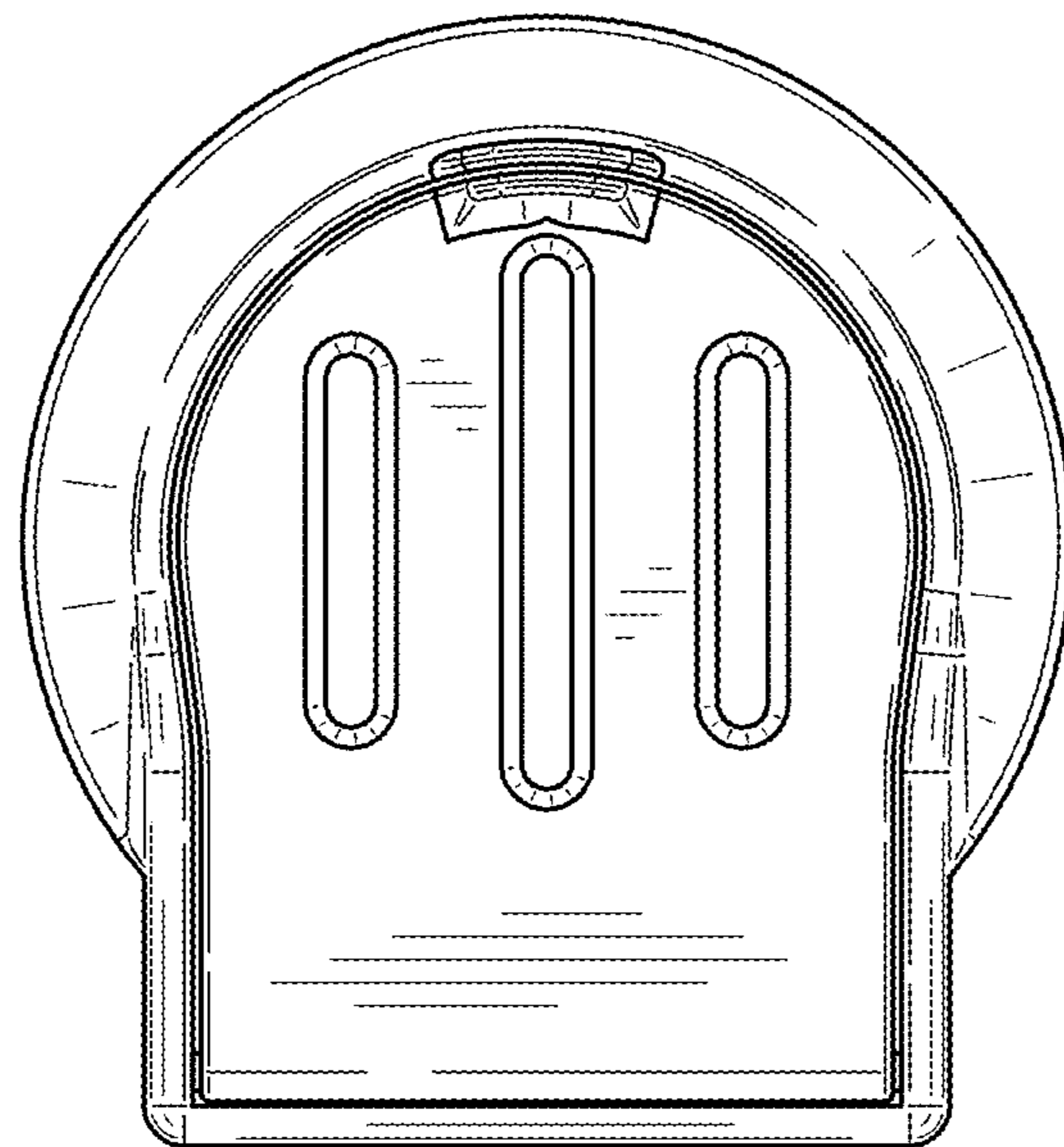


FIG. 8

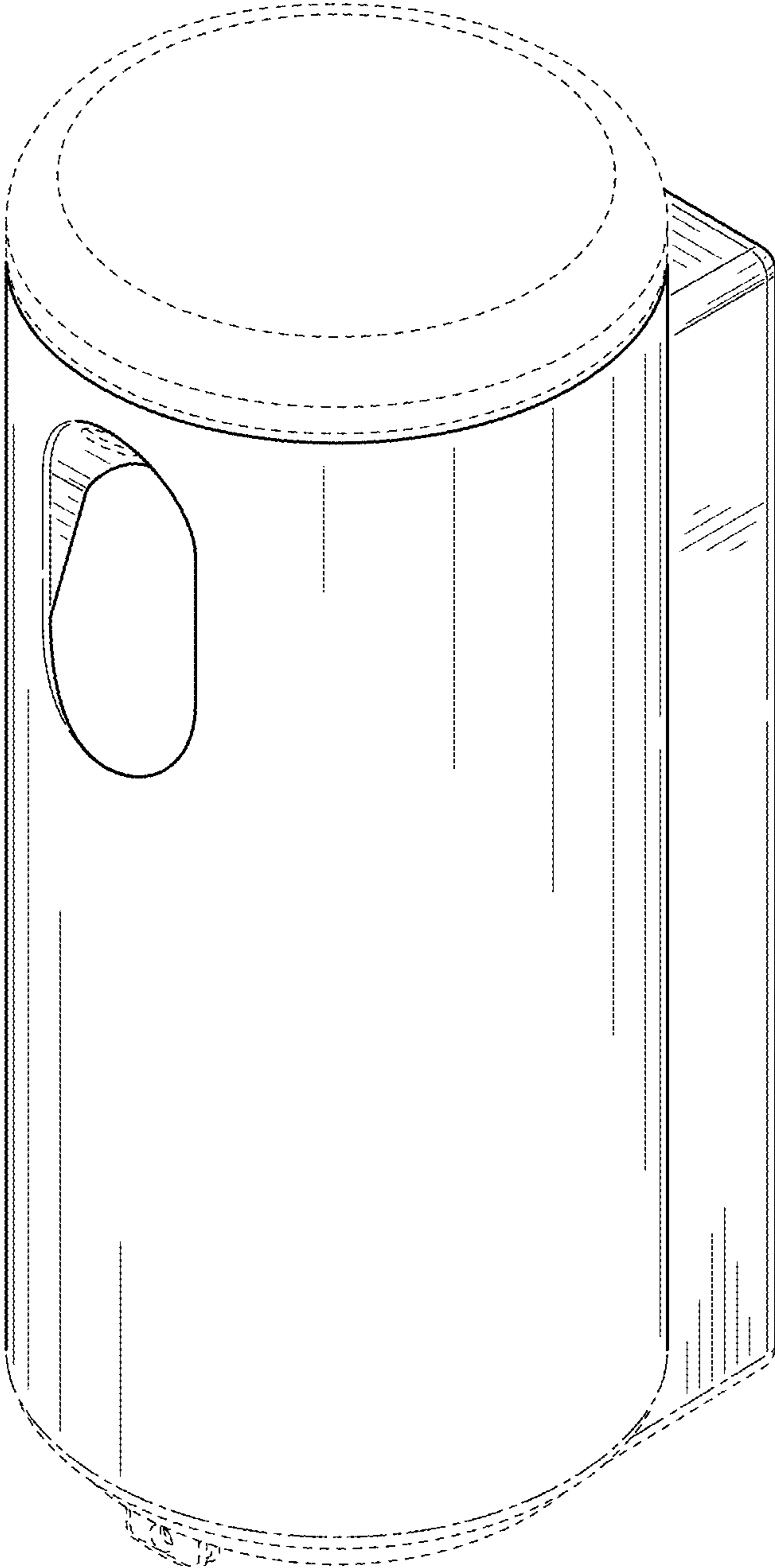


FIG. 9

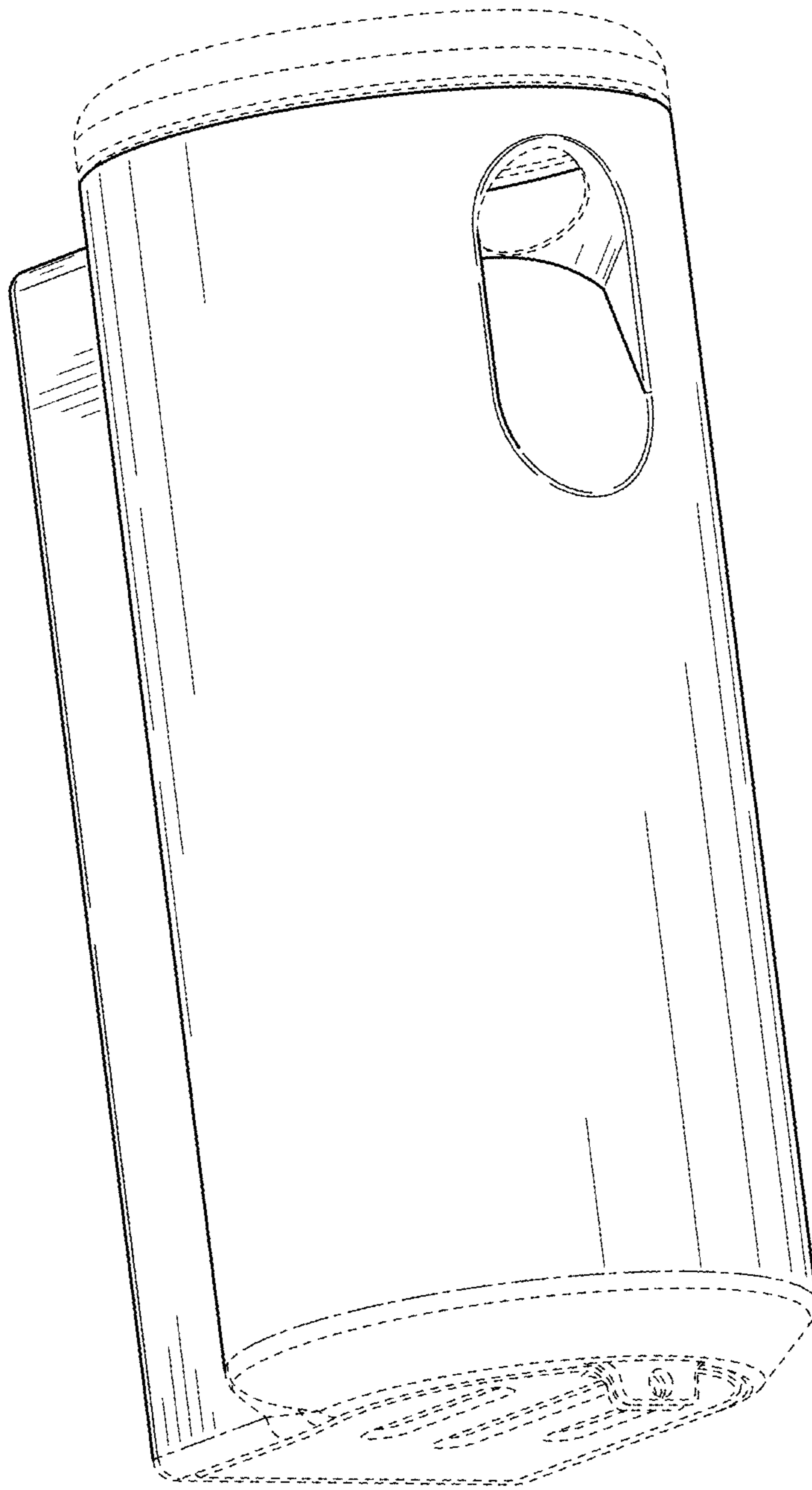


FIG. 10

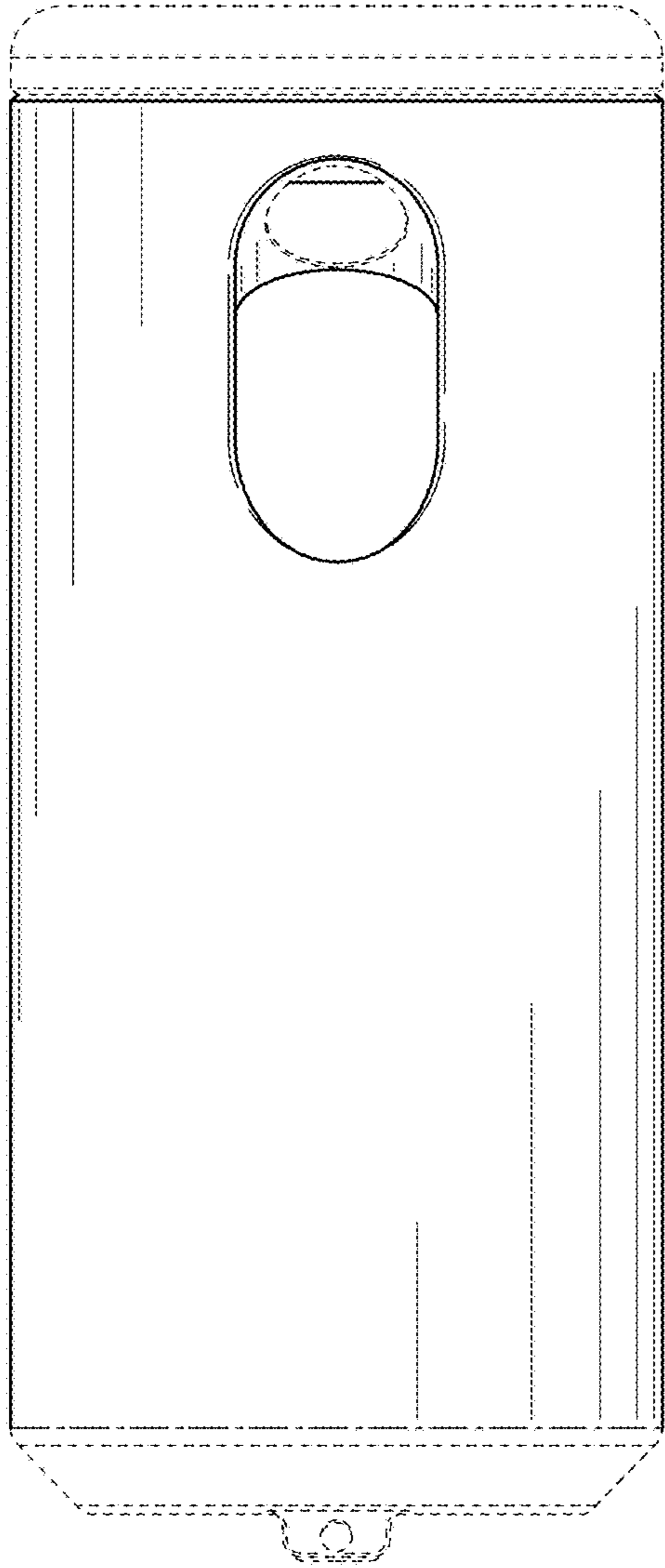


FIG. 11

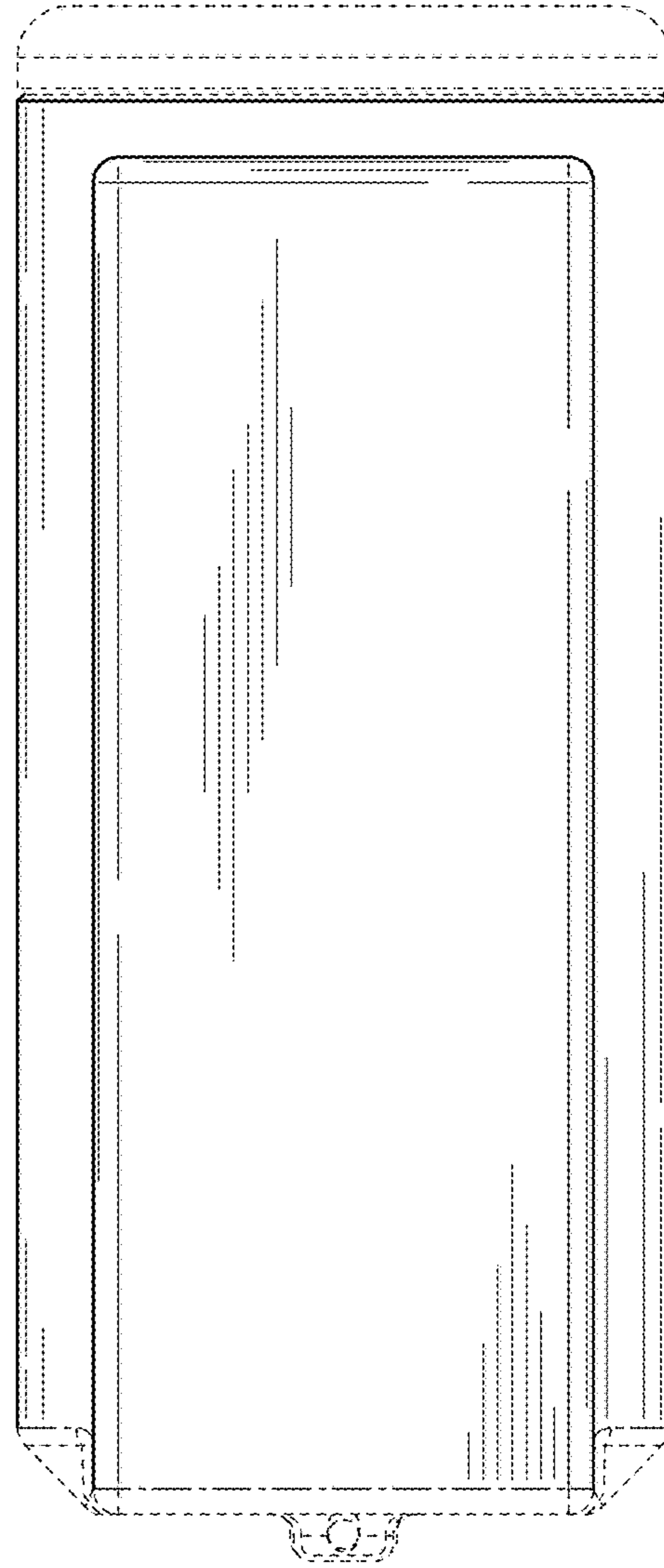


FIG. 12

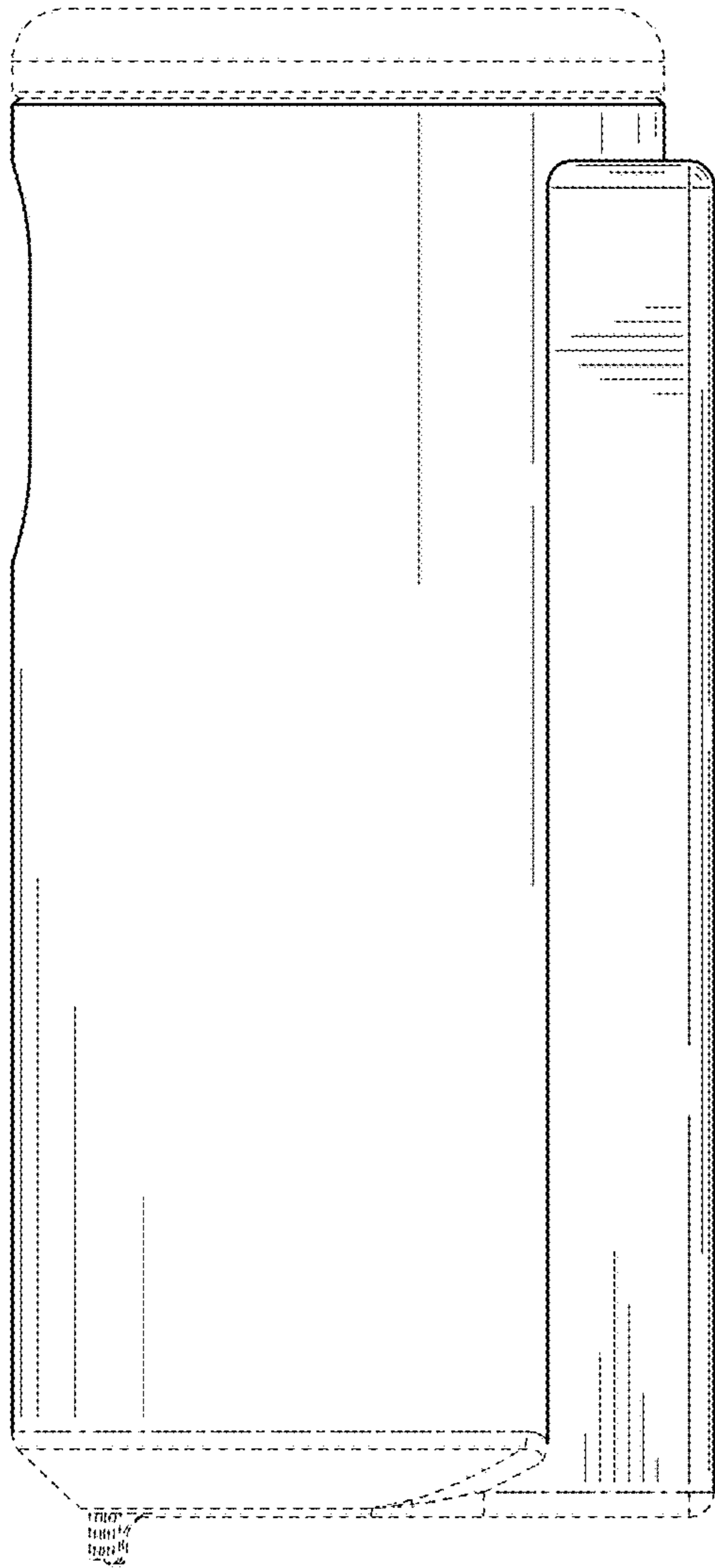


FIG. 13

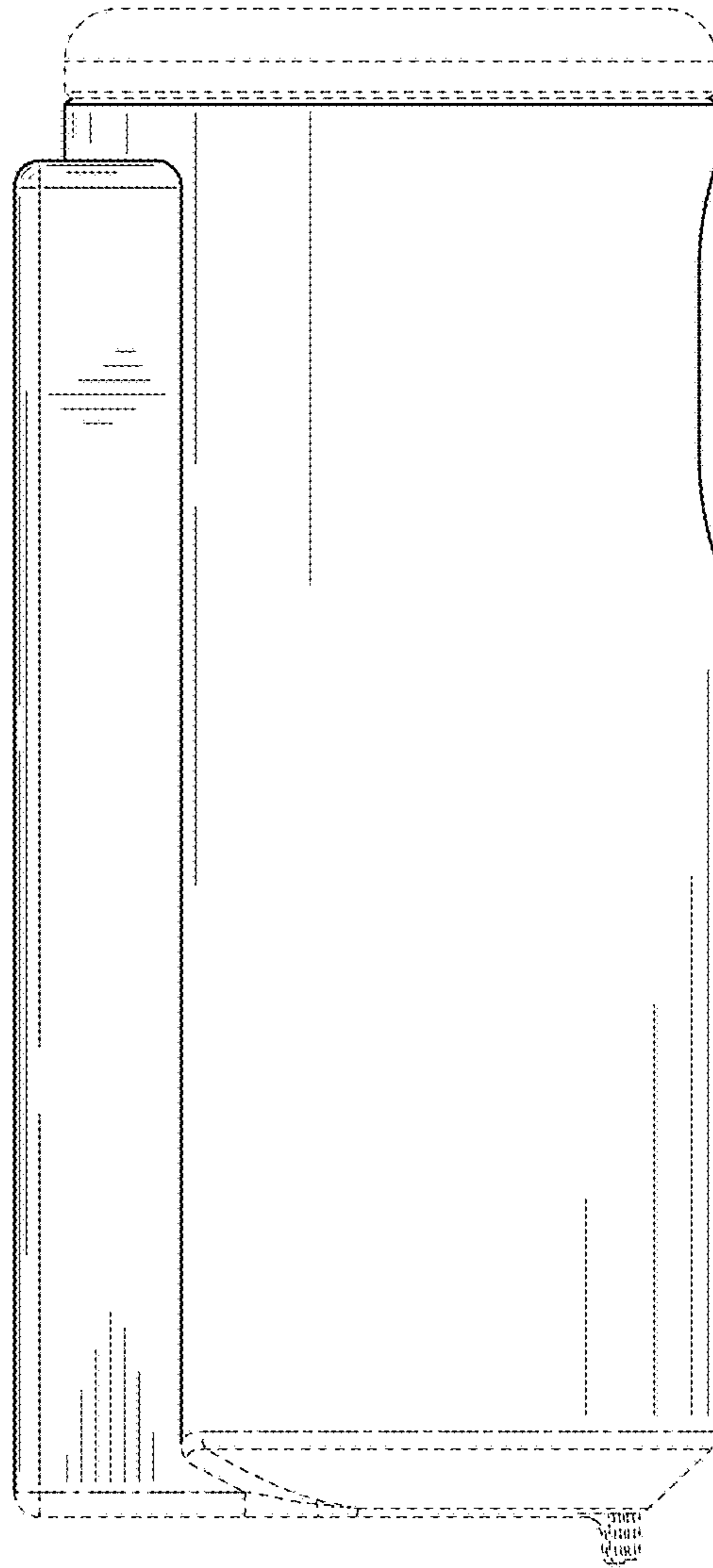


FIG. 14

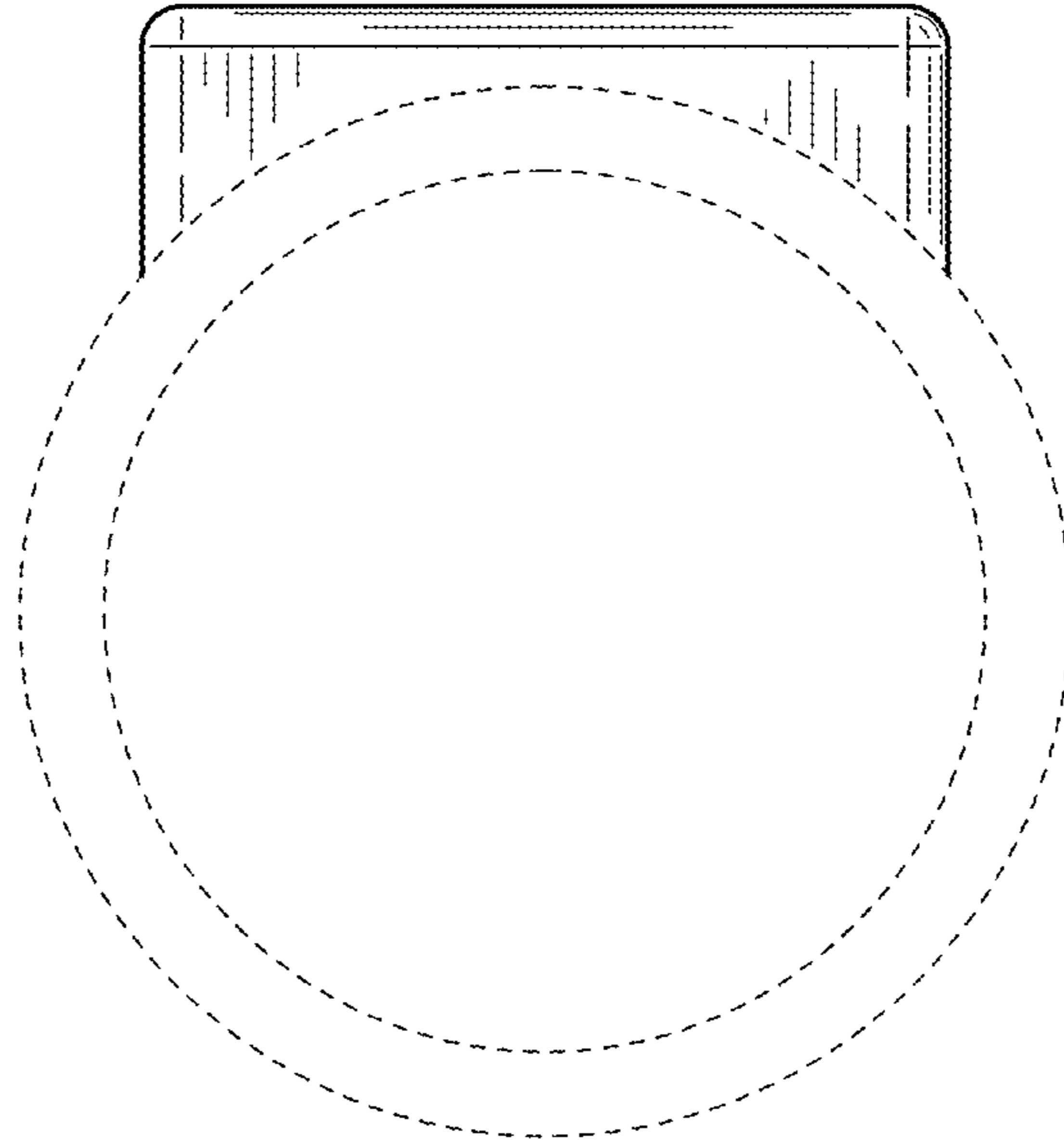


FIG. 15

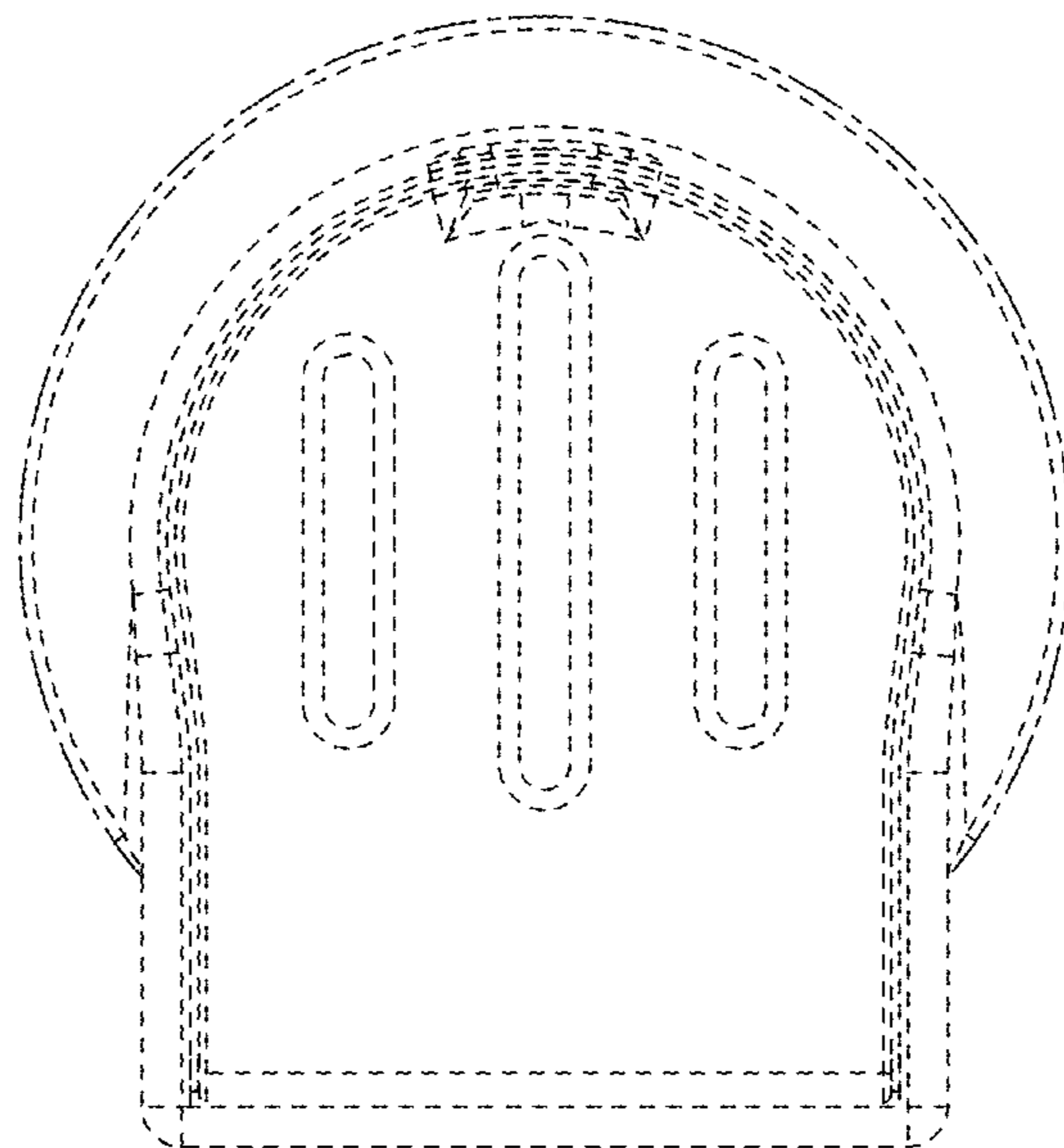


FIG. 16