



US00D772564S

(12) **United States Design Patent**  
**Michele**

(10) **Patent No.:** **US D772,564 S**

(45) **Date of Patent:** **\*\* Nov. 29, 2016**

(54) **HANDBAG**

D609,004 S \* 2/2010 Dolce ..... D3/240  
D686,820 S \* 7/2013 Song ..... D3/243

(71) Applicant: **Guccio Gucci S.p.A.**, Florence (IT)

\* cited by examiner

(72) Inventor: **Alessandro Michele**, Rome (IT)

*Primary Examiner* — Holly Baynham

(73) Assignee: **Guccio Gucci S.p.A.**, Florence (IT)

(74) *Attorney, Agent, or Firm* — Kelley Drye & Warren LLP

(\*\*) Term: **15 Years**

(21) Appl. No.: **29/529,239**

(57) **CLAIM**

The ornamental design for a handbag, as shown.

(22) Filed: **Jun. 4, 2015**

(51) **LOC (10) Cl.** ..... **03-01**

(52) **U.S. Cl.**  
USPC ..... **D3/243**

**DESCRIPTION**

(58) **Field of Classification Search**  
USPC ..... D3/232–233, 240–243, 245–246  
CPC ..... A45C 1/024; A45C 3/06  
See application file for complete search history.

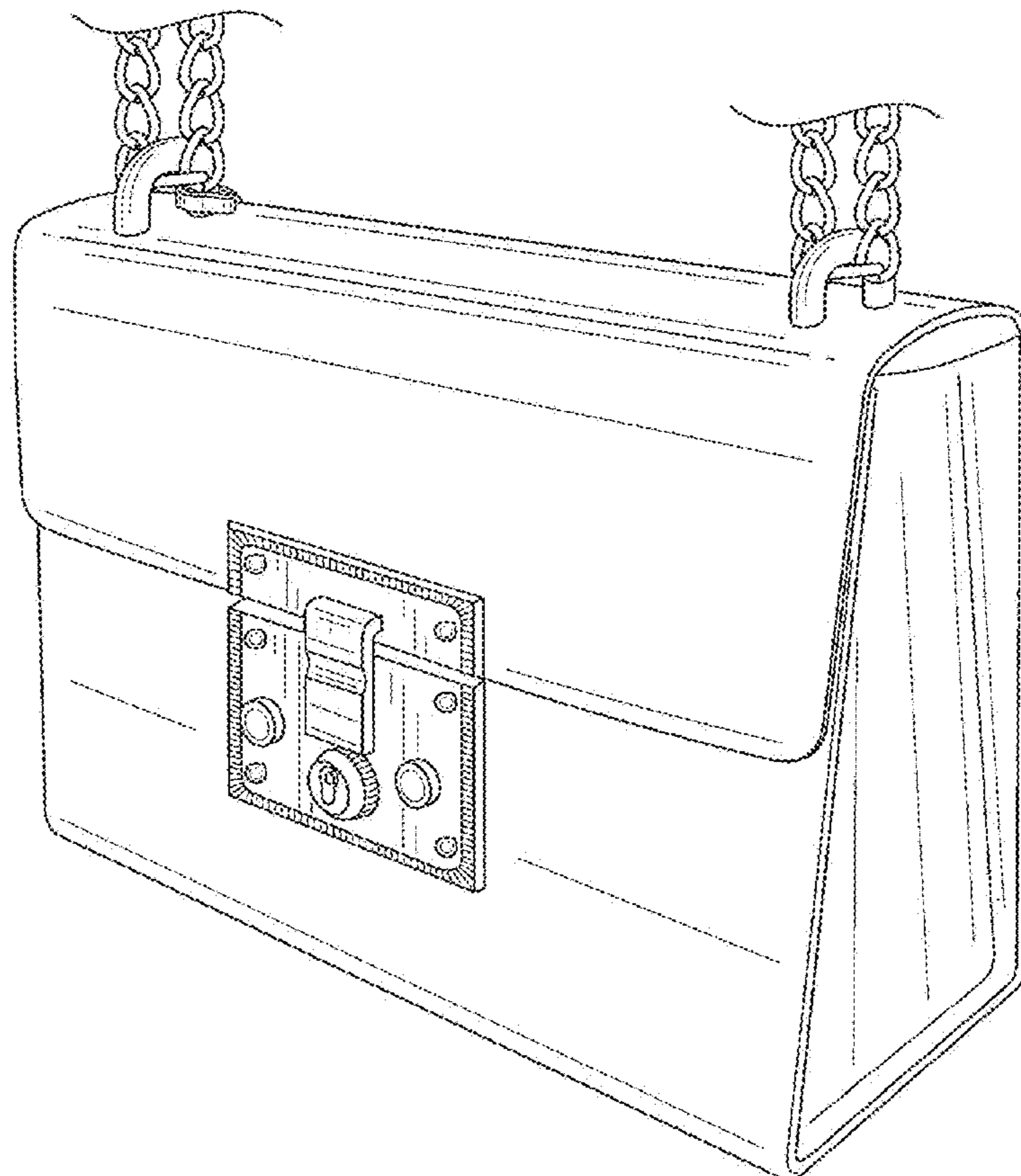
FIG. 1 is a perspective view of a handbag showing my new design;  
FIG. 2 is a front elevational view thereof;  
FIG. 3 is a rear elevational view thereof;  
FIG. 4 is a right side elevational view thereof;  
FIG. 5 is a left side elevational view thereof;  
FIG. 6 is a top plan view thereof; and,  
FIG. 7 is a bottom plan view thereof.

(56) **References Cited**

**U.S. PATENT DOCUMENTS**

D415,893 S \* 11/1999 Inbert ..... D3/232

**1 Claim, 7 Drawing Sheets**



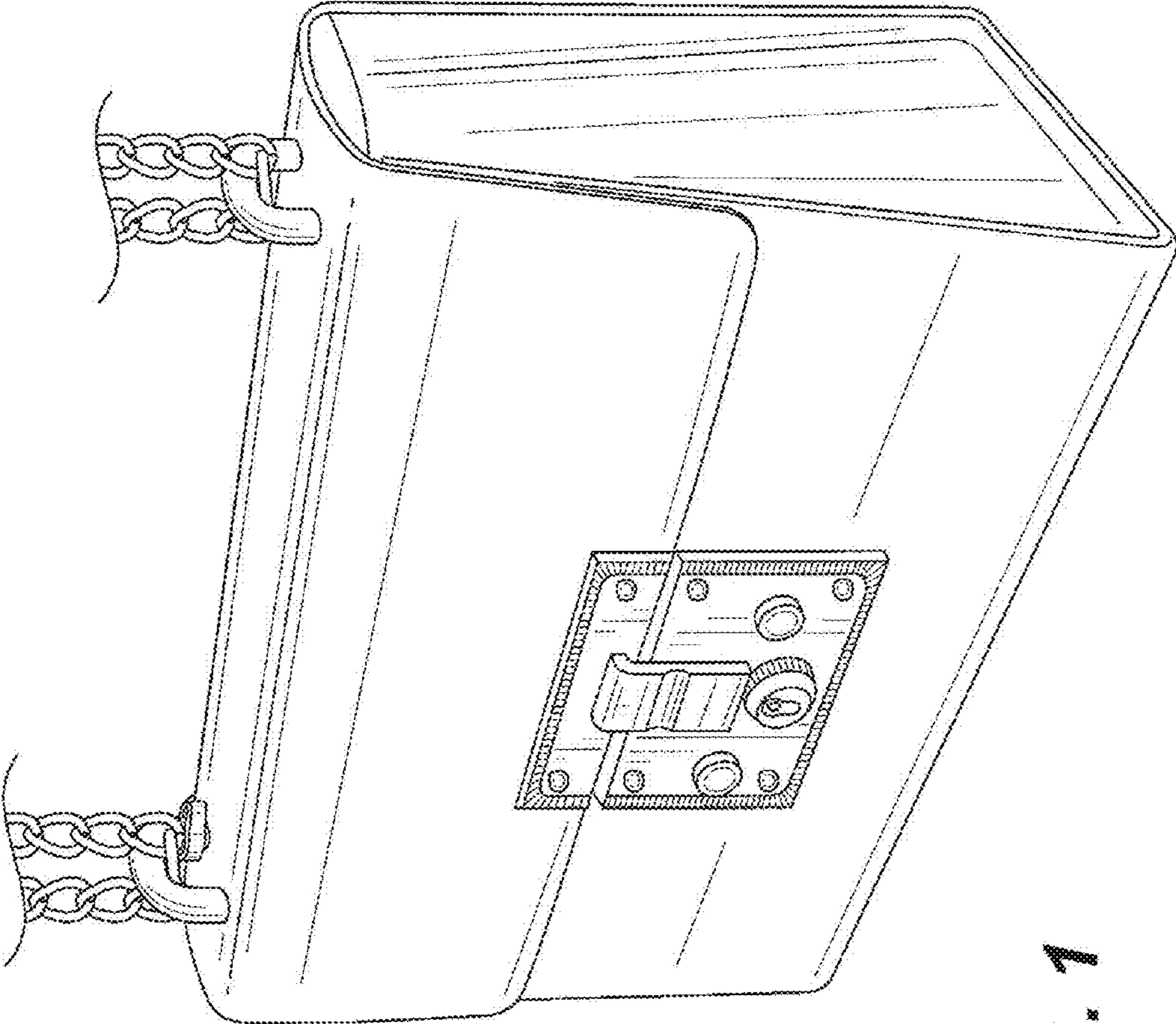


FIG. 1

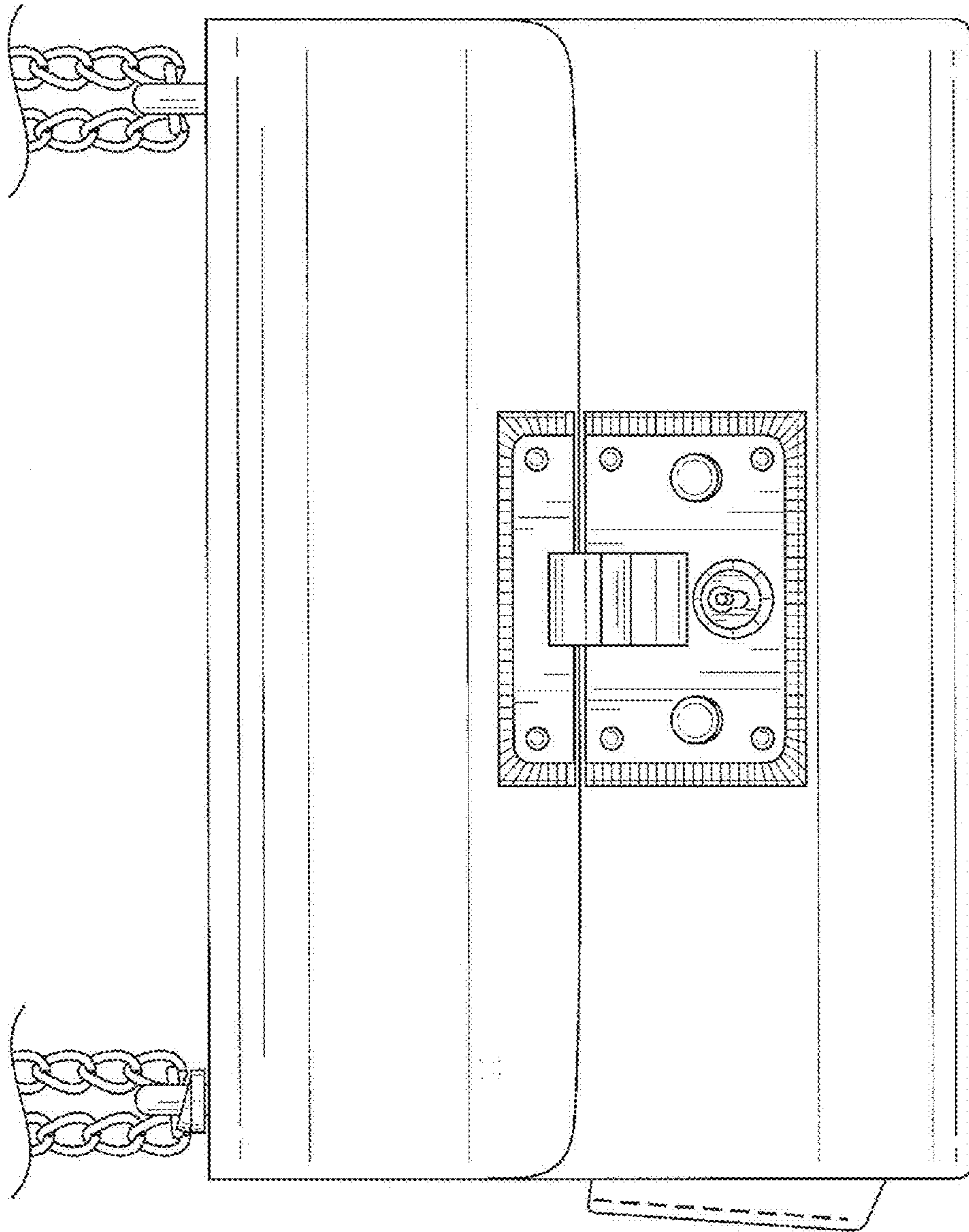


FIG. 2

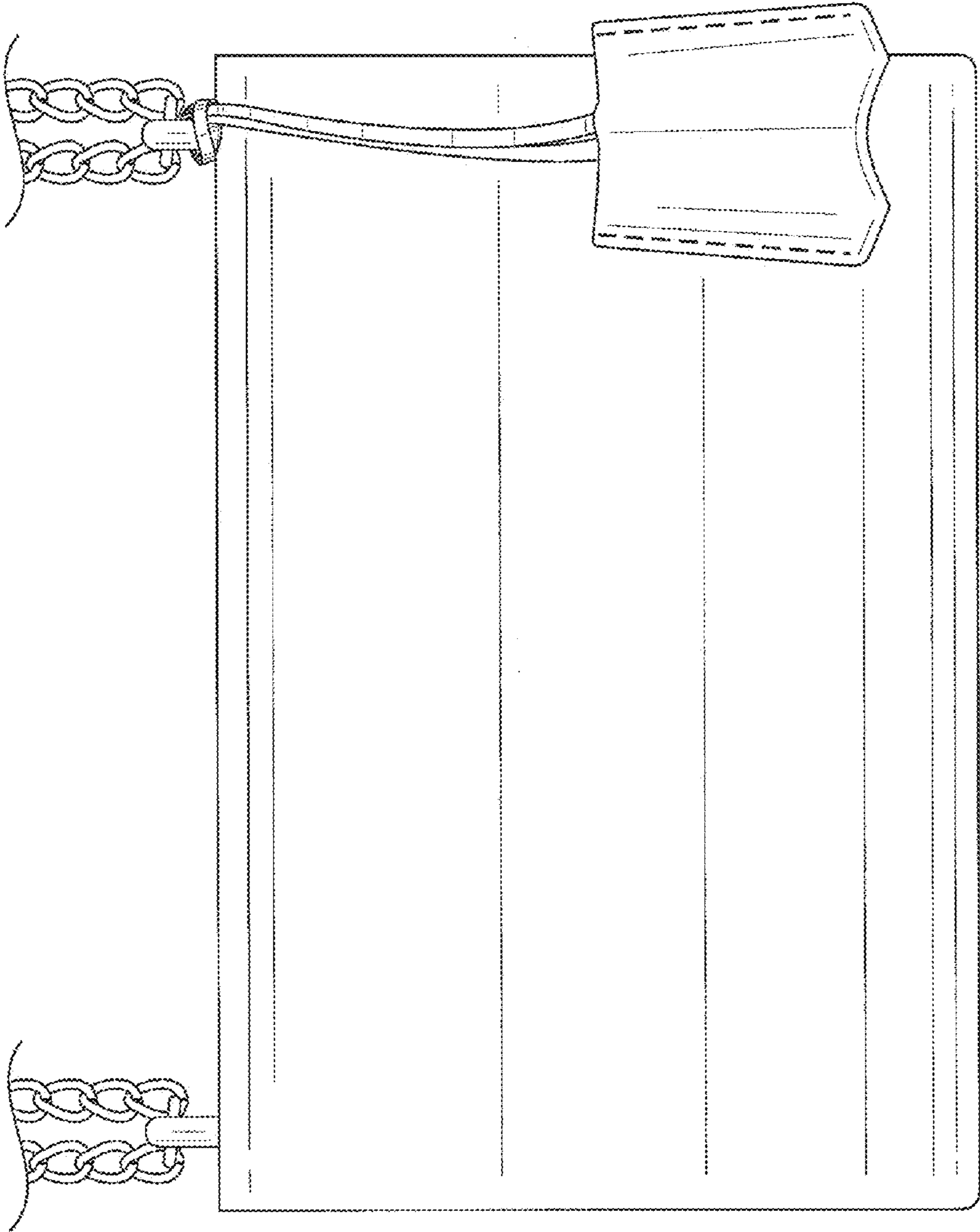
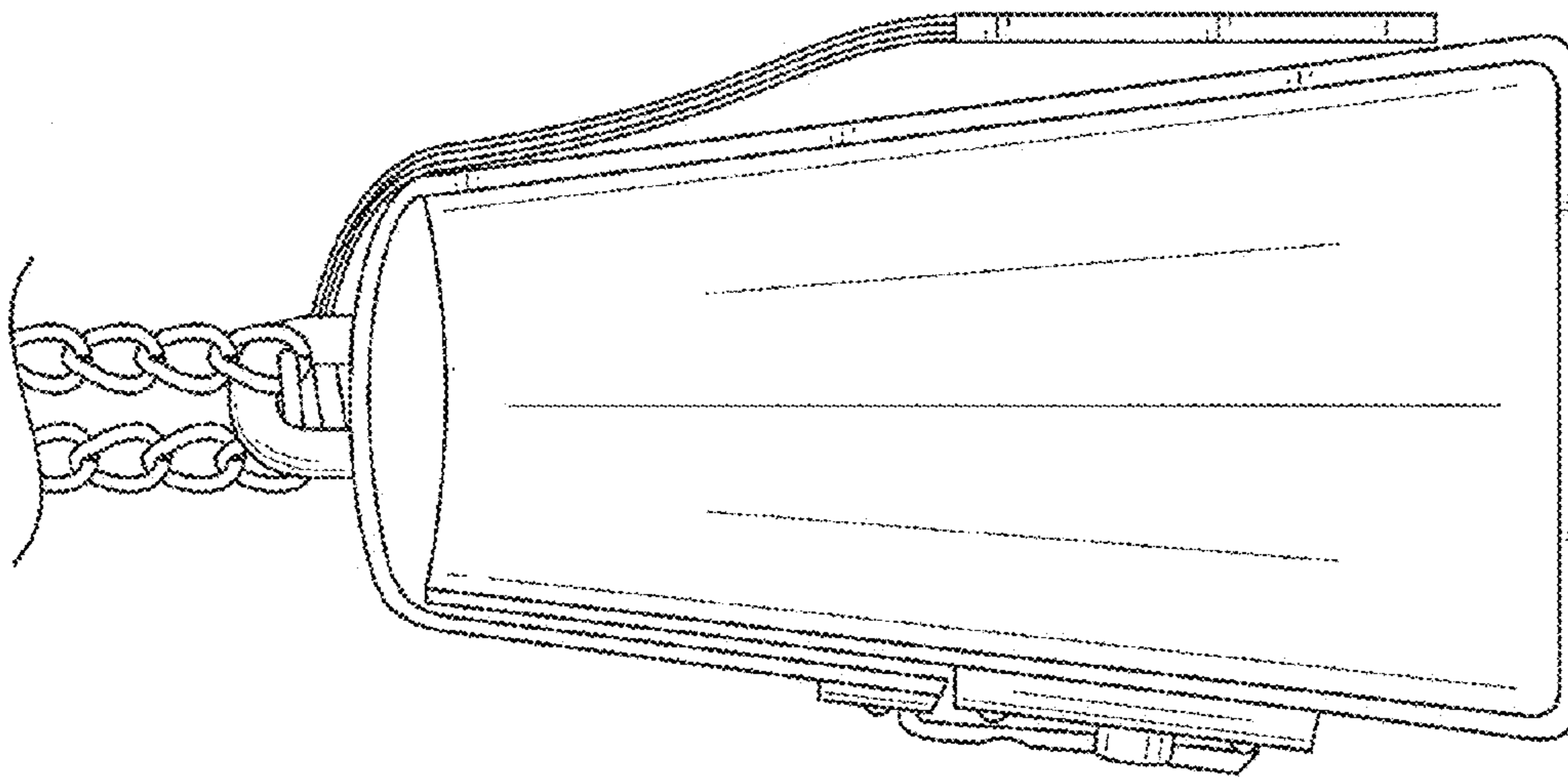


FIG. 3



**FIG. 4**

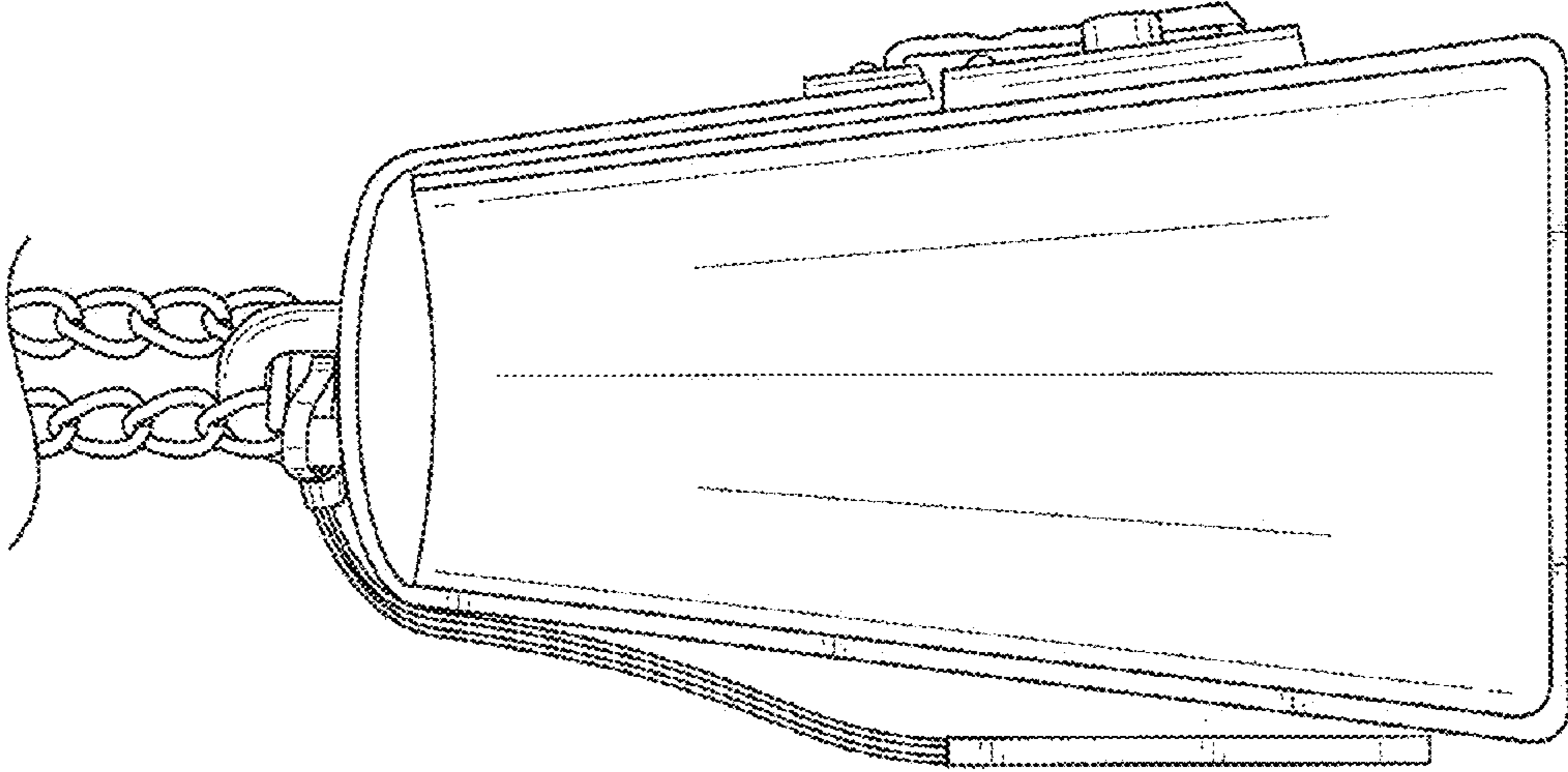


FIG. 5

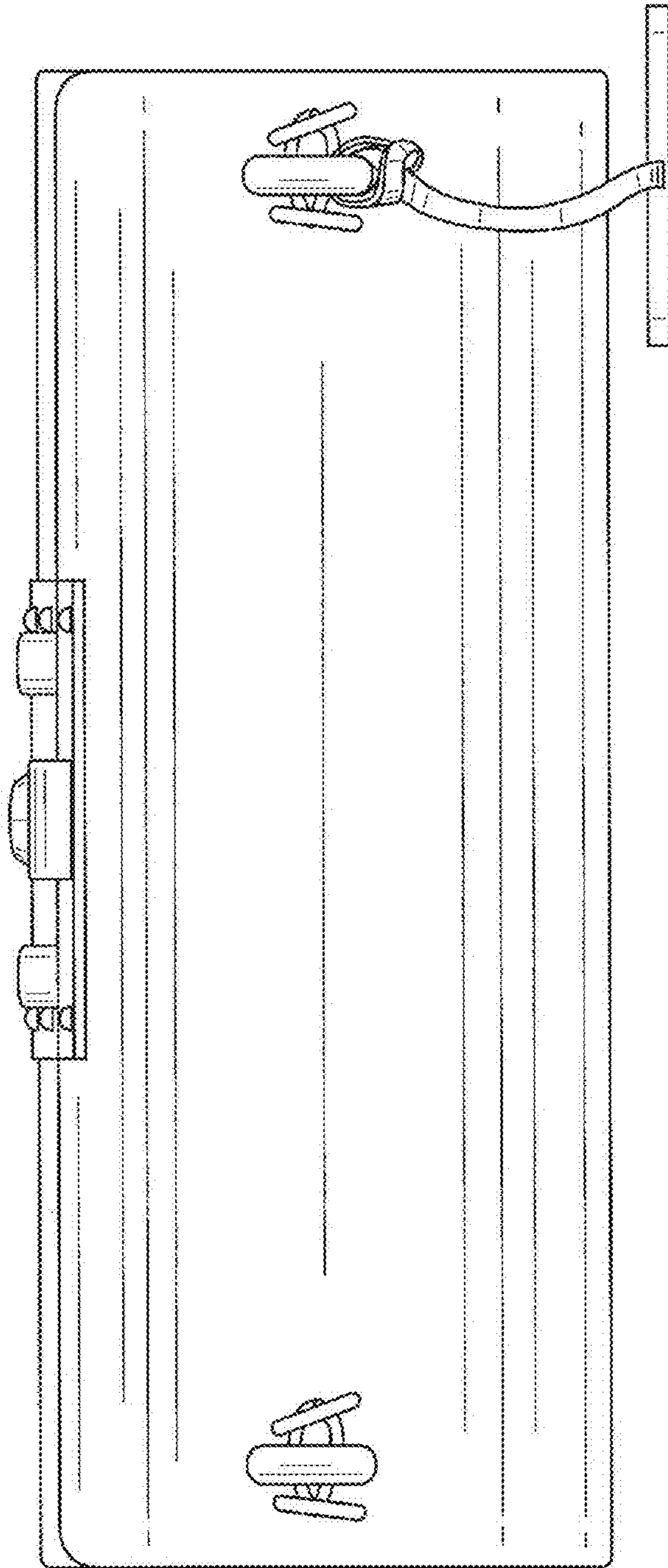


FIG. 6

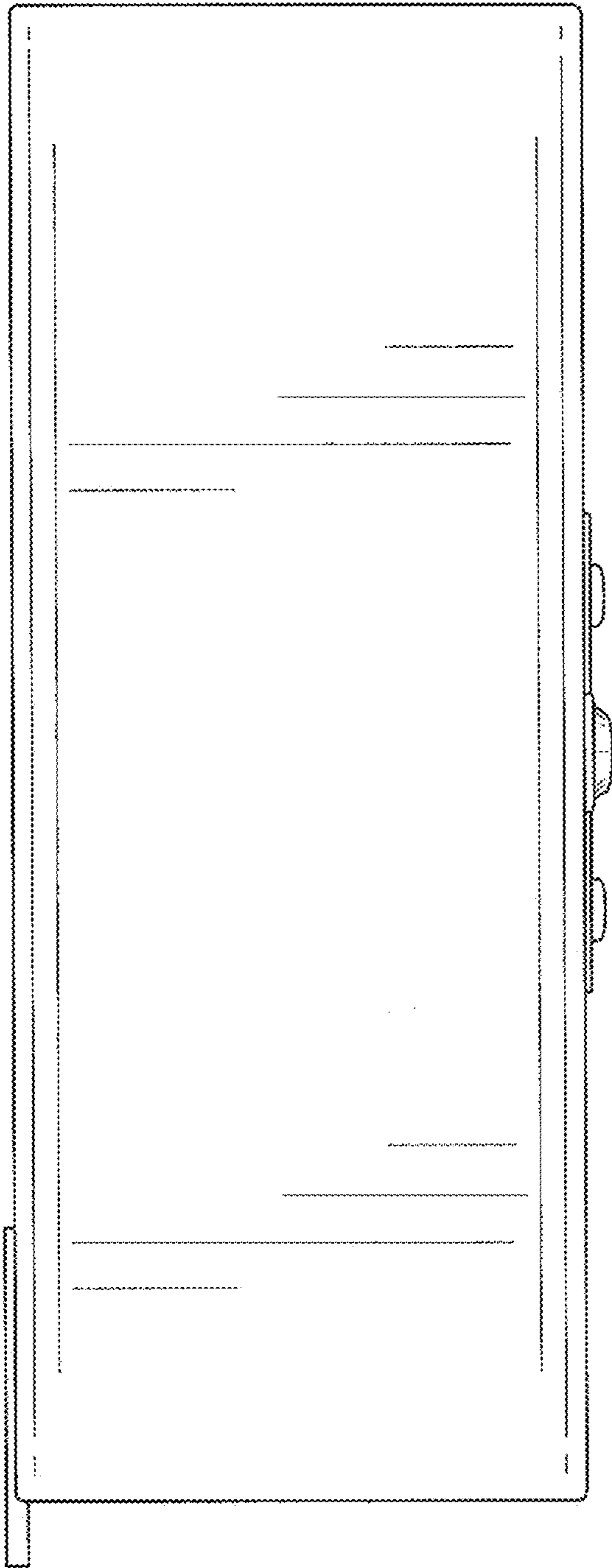


FIG. 7