



US00D772563S

(12) **United States Design Patent** (10) **Patent No.:** **US D772,563 S**
Carol-Libman (45) **Date of Patent:** **** Nov. 29, 2016**

(54) **PURSE**
(71) Applicant: **Andrea Carol-Libman**, Santa Ana, CA (US)
(72) Inventor: **Andrea Carol-Libman**, Santa Ana, CA (US)
(**) Term: **15 Years**
(21) Appl. No.: **29/536,486**
(22) Filed: **Aug. 17, 2015**
(51) **LOC (10) Cl.** **03-01**
(52) **U.S. Cl.**
USPC **D3/232**
(58) **Field of Classification Search**
USPC D3/215-217, 226, 227, 232-234, D3/238-246, 254, 257, 270, 271.1, 271.9, D3/272, 274-276, 291, 294, 299, 303, 324, D3/326, 900, 902, 903
CPC A45C 1/00; A45C 3/06; A45C 2007/004; A45C 3/08; A45C 7/00; A45C 9/10
See application file for complete search history.

3,297,119 A * 1/1967 Viol A45C 9/00 150/108
D244,404 S * 5/1977 Gaylor D3/238
D260,198 S * 8/1981 Siegel D3/243
D384,812 S * 10/1997 Heffelfinger D3/243
5,725,039 A * 3/1998 Macinai A45C 3/08 150/104
D417,779 S * 12/1999 De Baschmakoff D3/232
D418,976 S * 1/2000 du Sartel D3/232
6,491,074 B1 * 12/2002 Roegner A45C 1/06 150/112
D527,897 S * 9/2006 Gonzalez D3/247
D537,626 S * 3/2007 Ghesquiere D3/243
D579,196 S * 10/2008 Bizzell D3/232
D619,432 S * 7/2010 LaBonte D3/232
D655,583 S * 3/2012 Palazzolo D3/243
D658,370 S * 5/2012 Wang D3/243
D700,773 S * 3/2014 Lupkas D3/203.2

* cited by examiner

Primary Examiner — Susan E Krakower
Assistant Examiner — Lisa A Grabenstetter
(74) *Attorney, Agent, or Firm* — Robert J. Lauson; Lauson & Tarver LLP

(57) **CLAIM**
I claim the ornamental design for a purse, as shown and described.

(56) **References Cited**

U.S. PATENT DOCUMENTS

D39,618 S * 10/1908 Merzbach D3/243
1,587,891 A * 6/1926 Berkowitz A45C 13/126 150/103
2,308,003 A * 1/1943 Gamrod A45C 11/38 224/908
D163,726 S * 6/1951 Wiggin 150/108
2,687,159 A * 8/1954 Dobbs A45C 1/08 150/151
D175,075 S * 7/1955 Hursi D3/242
2,798,524 A * 7/1957 Ryon A45C 3/08 150/103

DESCRIPTION

FIG. 1 is a perspective view of a purse, showing my new design.
FIG. 2 is a front elevation view thereof.
FIG. 3 is a rear elevation view thereof.
FIG. 4 is a right side elevation view thereof, the left side elevation view being a mirror image thereof.
FIG. 5 is a top plan view thereof; and,
FIG. 6 is a bottom plan view thereof.
The broken lines represent unclaimed portions of the design.

1 Claim, 5 Drawing Sheets

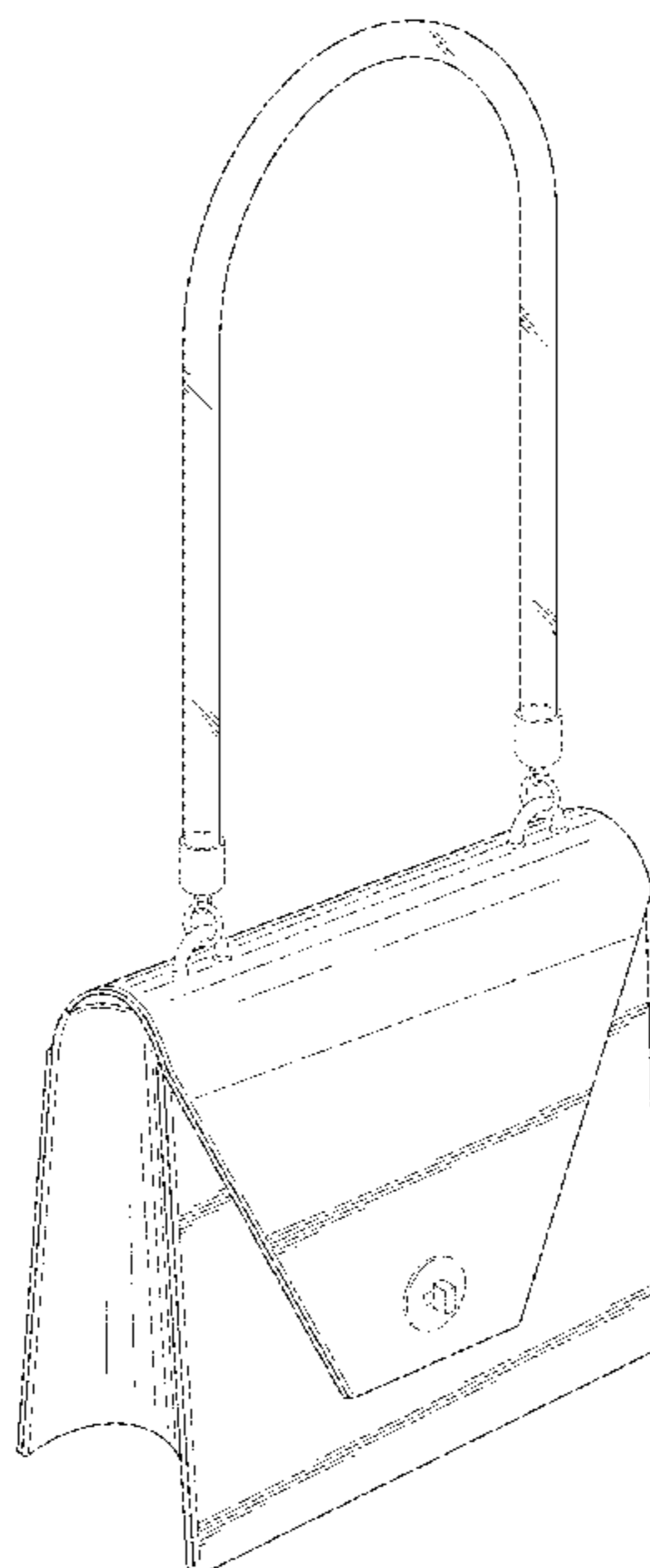
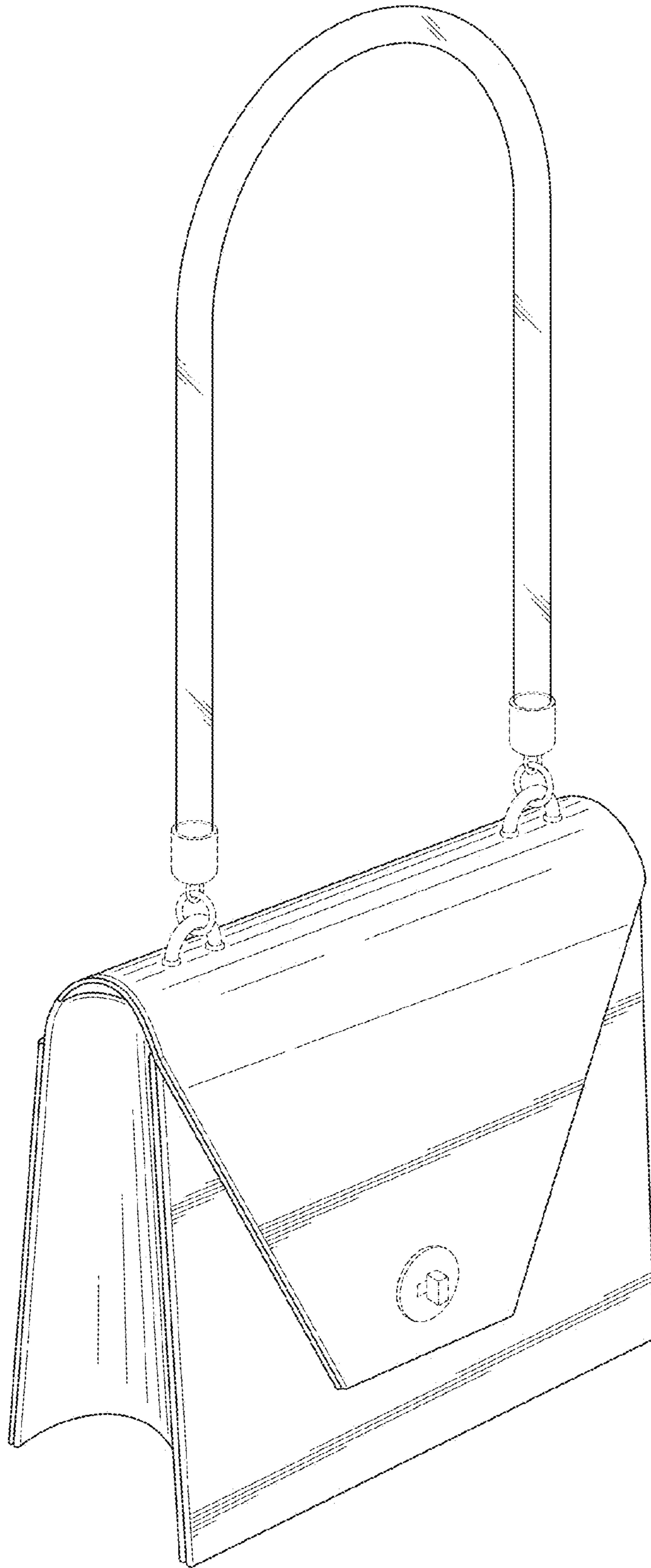


FIG. 1



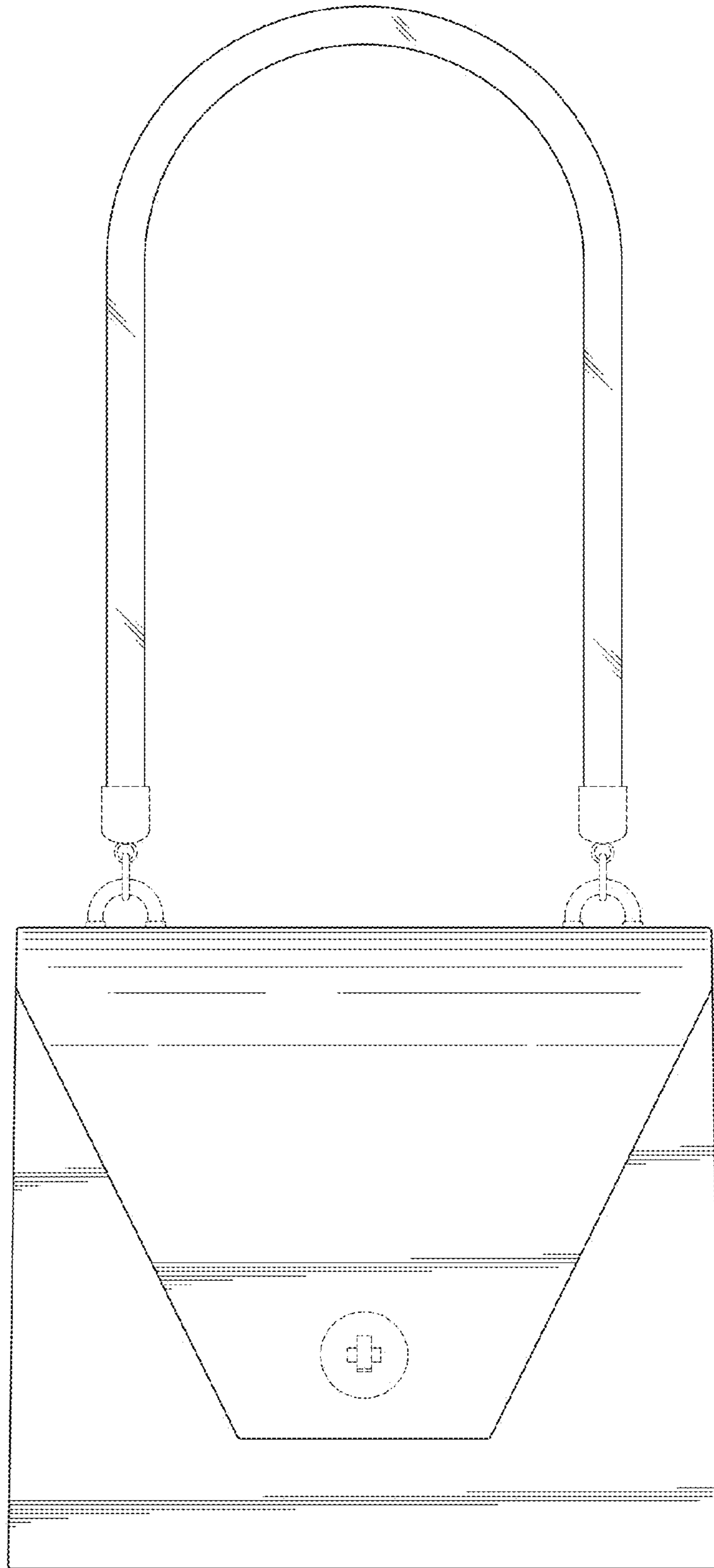


FIG. 2

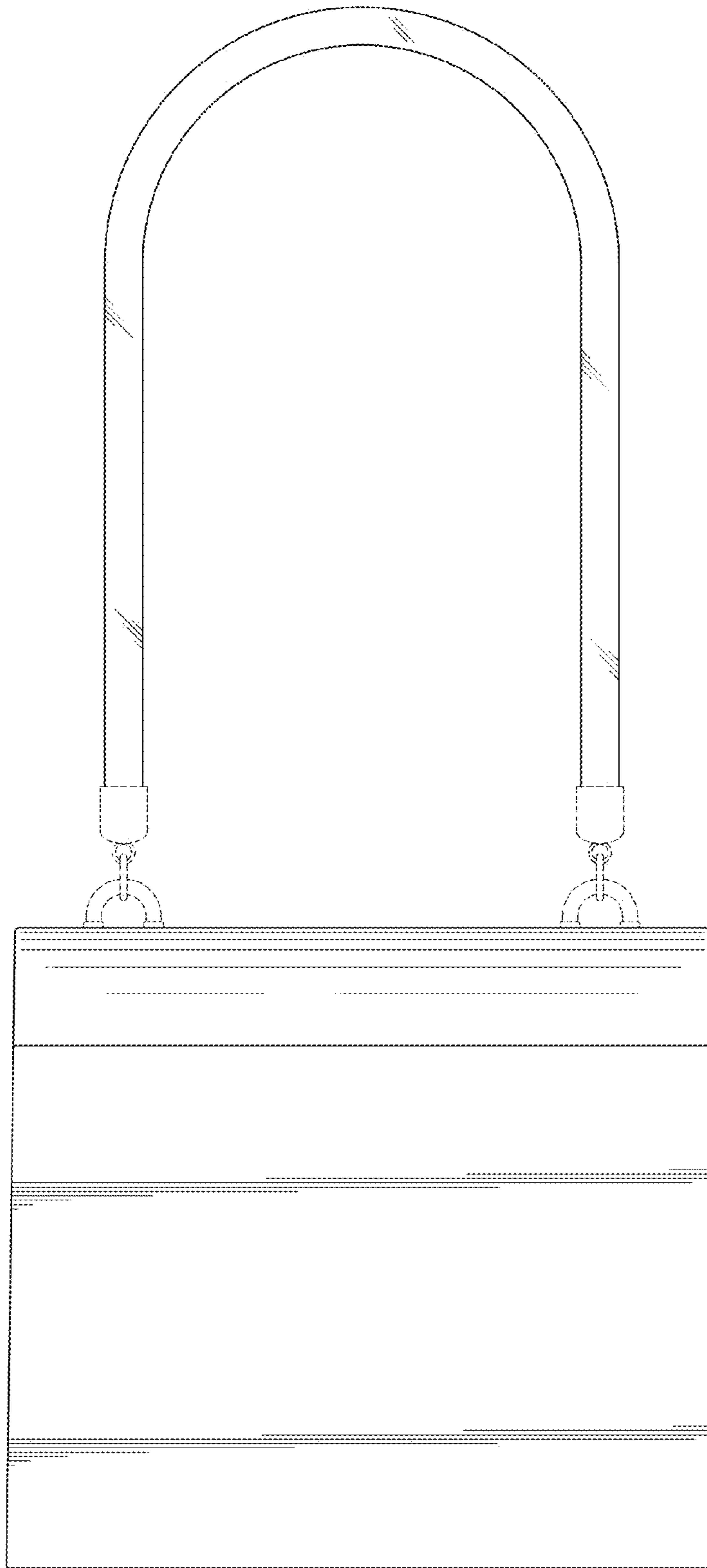
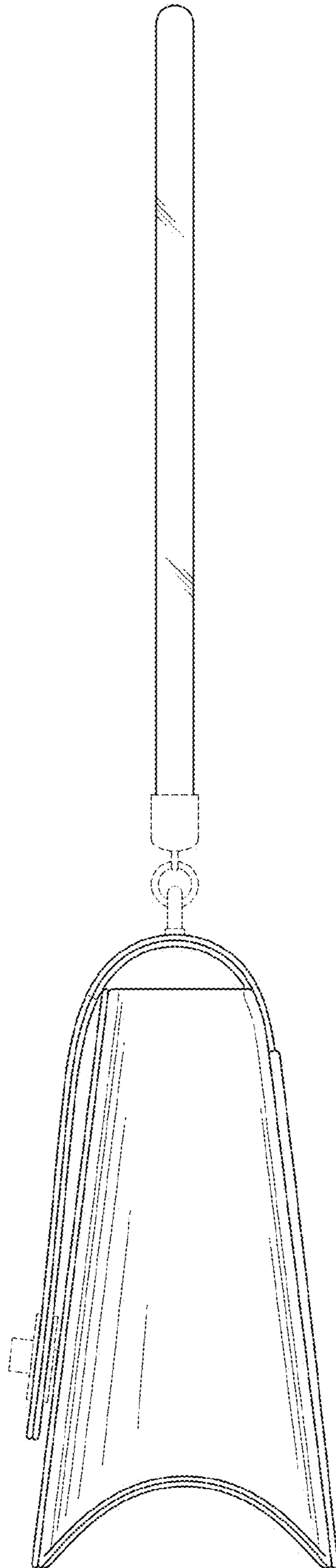


FIG. 3

FIG. 4



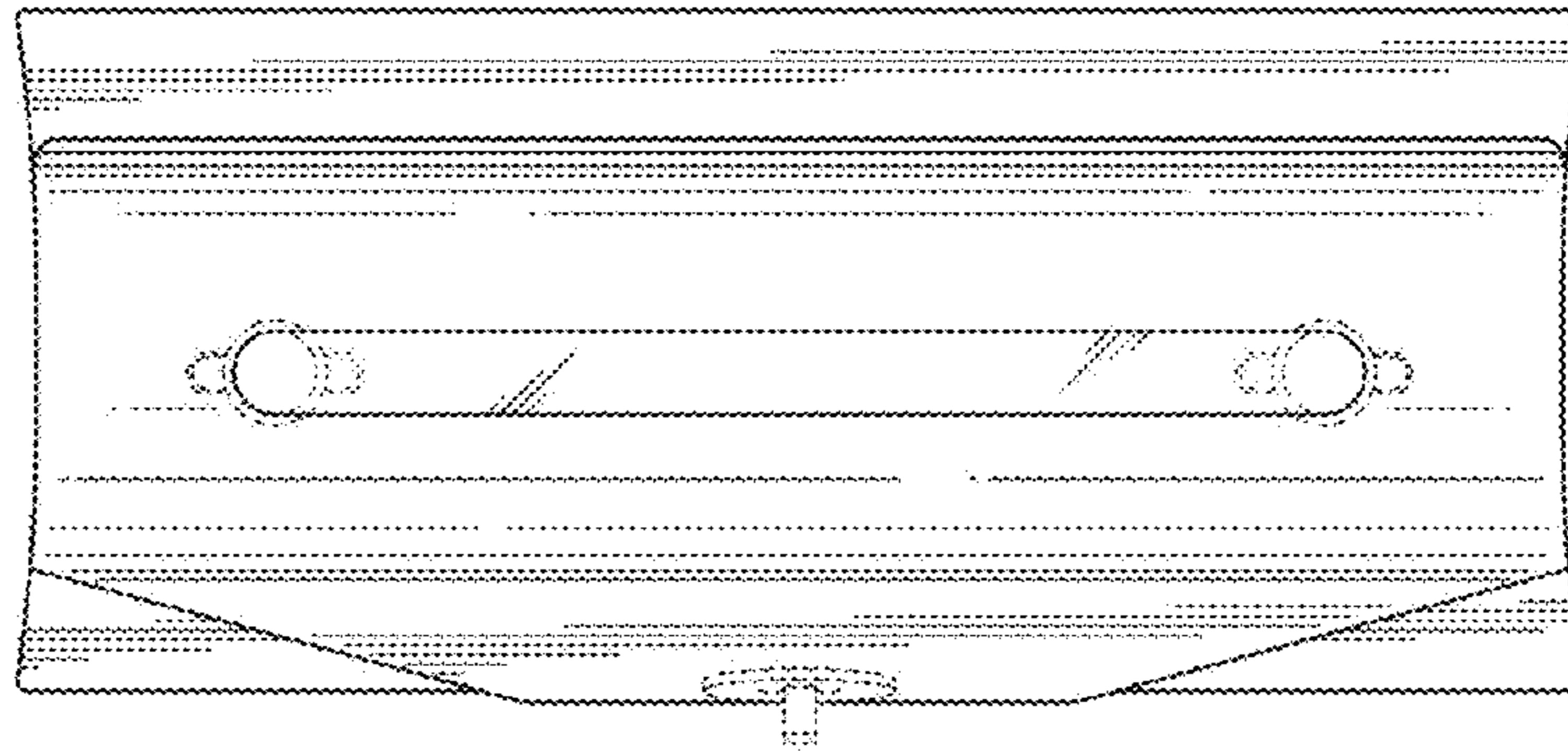


FIG. 5

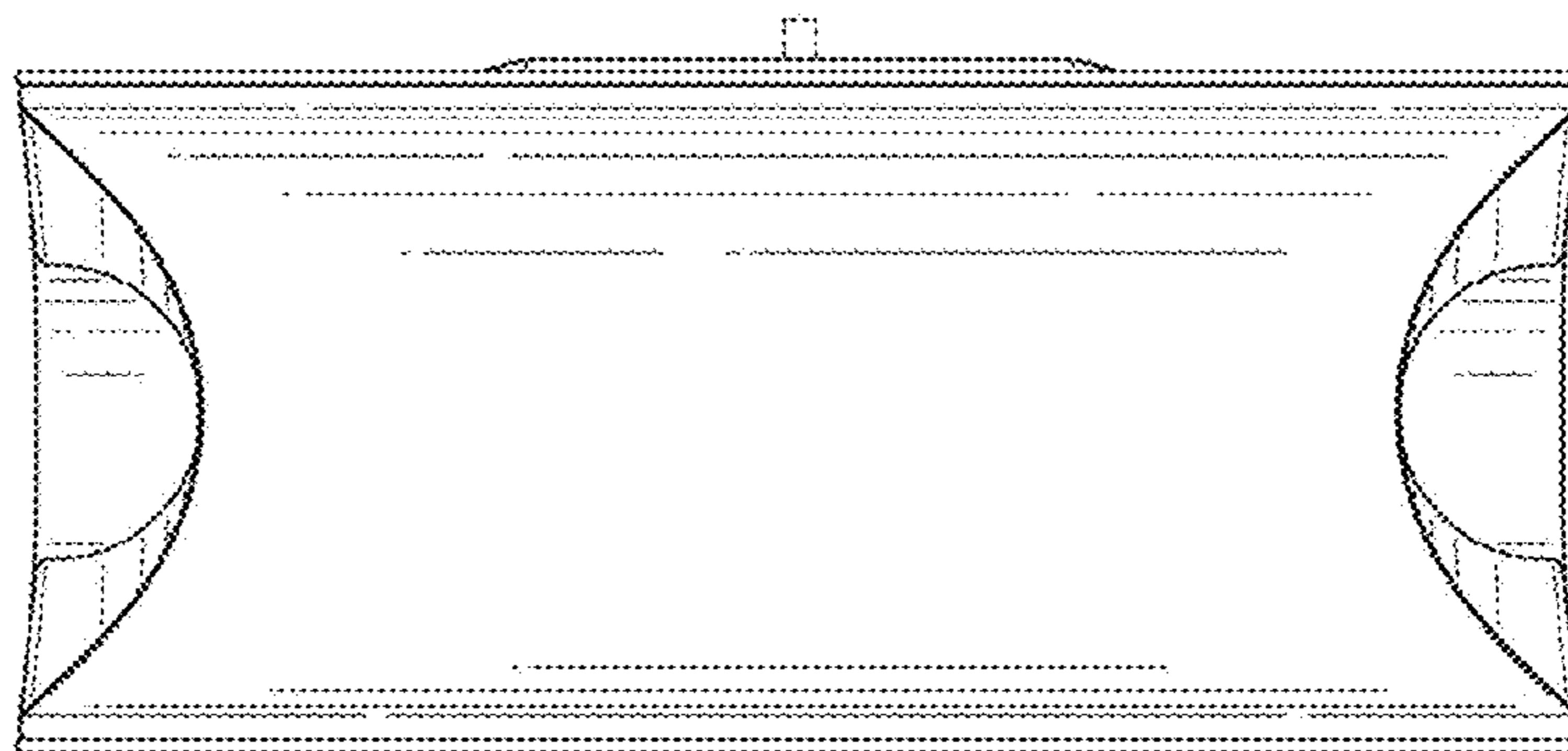


FIG. 6