

US00D772562S

(12) **United States Design Patent**
Petre

(10) **Patent No.:** **US D772,562 S**

(45) **Date of Patent:** **** Nov. 29, 2016**

(54) **PORTABLE DRY BAG SOFT COOLER**

(71) Applicant: **Outdoor Recreation Company of America, LLC**, Nashville, TN (US)

(72) Inventor: **Stephen J. Petre**, Maryville, TN (US)

(73) Assignee: **Outdoor Recreation Company of America, LLC**, Nashville, TN (US)

(**) Term: **15 Years**

(21) Appl. No.: **29/533,147**

(22) Filed: **Jul. 14, 2015**

(51) **LOC (10) Cl.** **03-01**

(52) **U.S. Cl.**
USPC **D3/216**

(58) **Field of Classification Search**
USPC D3/201, 213-219, 221, 224, 225, 229,
D3/230, 232, 243-246, 254, 318, 255, 257,
D3/316, 291, 273; D32/53
CPC A45F 3/04; A45F 4/02; A45F 2200/0525;
A45F 2003/045; A45C 11/00; A45C 13/30;
A45C 2011/002; A45C 2011/003; A45C
2011/001; A45C 15/00
See application file for complete search history.

(56) **References Cited**

U.S. PATENT DOCUMENTS

D209,727 S *	12/1967	Bollig	D3/244
D319,732 S *	9/1991	Gumbs	D3/224
D355,297 S *	2/1995	Ash, Jr.	D3/216
5,429,265 A *	7/1995	Maire	B25H 3/00 206/372
5,595,429 A *	1/1997	Kennedy	A47B 83/045 224/155
D414,337 S *	9/1999	Hubert	D3/222

6,092,661 A *	7/2000	Mogil	A63B 55/408 150/106
D446,617 S *	8/2001	Urbanski	D32/53
D526,783 S *	8/2006	Leighton	D3/316
D536,526 S *	2/2007	Leighton	D3/316
7,431,313 B1 *	10/2008	Torres	B25H 3/00 280/124.12
D590,148 S *	4/2009	Lin	D3/217
2005/0011785 A1 *	1/2005	Nish	A45C 3/00 206/315.1
2007/0205234 A1 *	9/2007	Lessmann	A45F 3/04 224/155
2009/0200348 A1 *	8/2009	Smith	A41D 13/0537 224/257

* cited by examiner

Primary Examiner — George D Kirschbaum

Assistant Examiner — Jennifer Watkins

(74) *Attorney, Agent, or Firm* — Luedeka Neely Group, P.C.

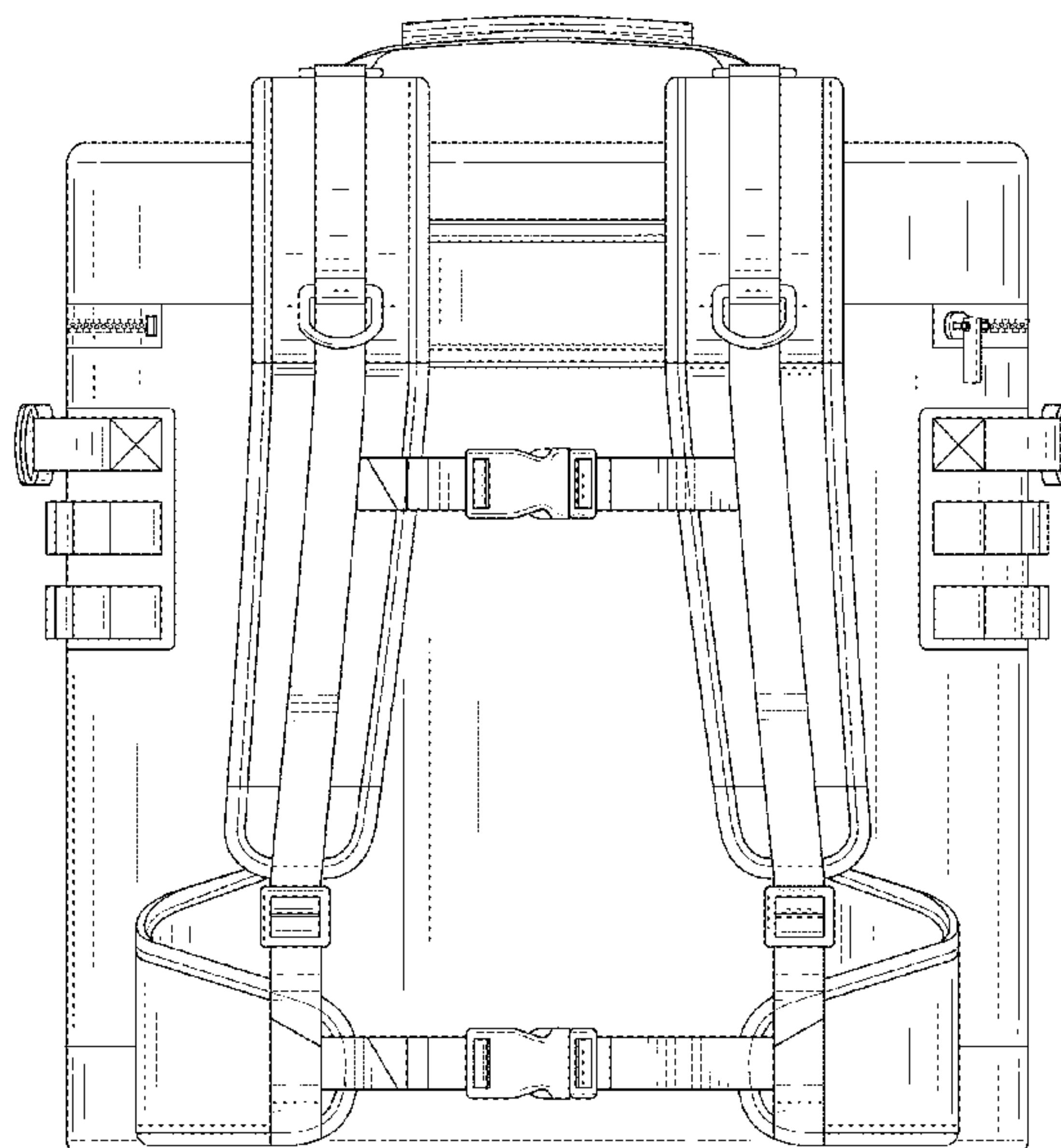
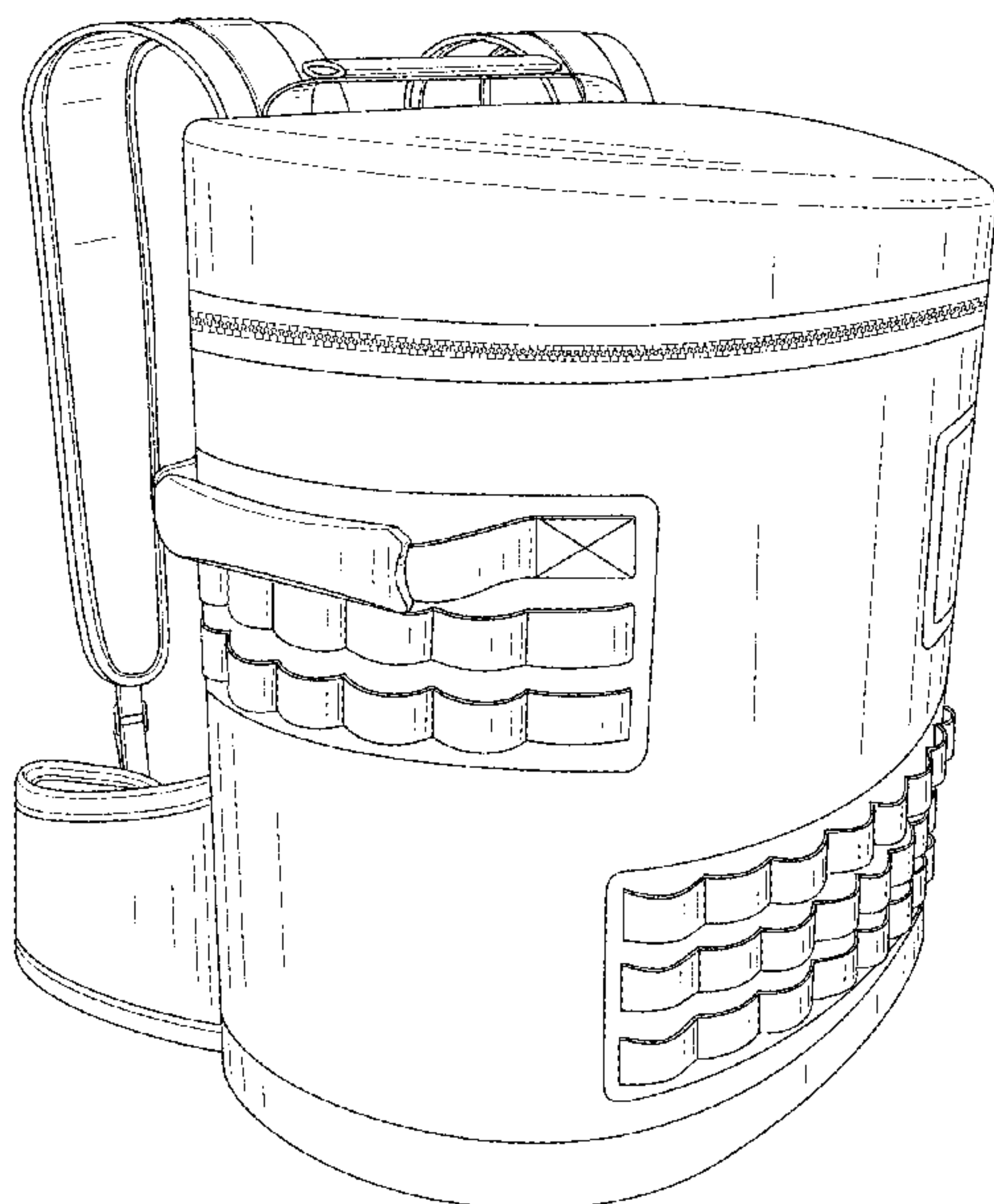
(57) **CLAIM**

The ornamental design for a portable dry bag soft cooler, as shown and described.

DESCRIPTION

FIG. 1 is a perspective view of a front left side of the portable dry bag soft cooler with the cooler lid closed; FIG. 2 is a front view of the cooler; FIG. 3 is a view of shoulder straps, a waistband and the back side of the cooler; FIG. 4 is a view of the left side of the cooler; FIG. 5 is a view of the right side of the cooler; FIG. 6 is a top view of the cooler; and, FIG. 7 is a bottom view of the cooler. The broken lines illustrate stitching and form a part of the claim.

1 Claim, 7 Drawing Sheets



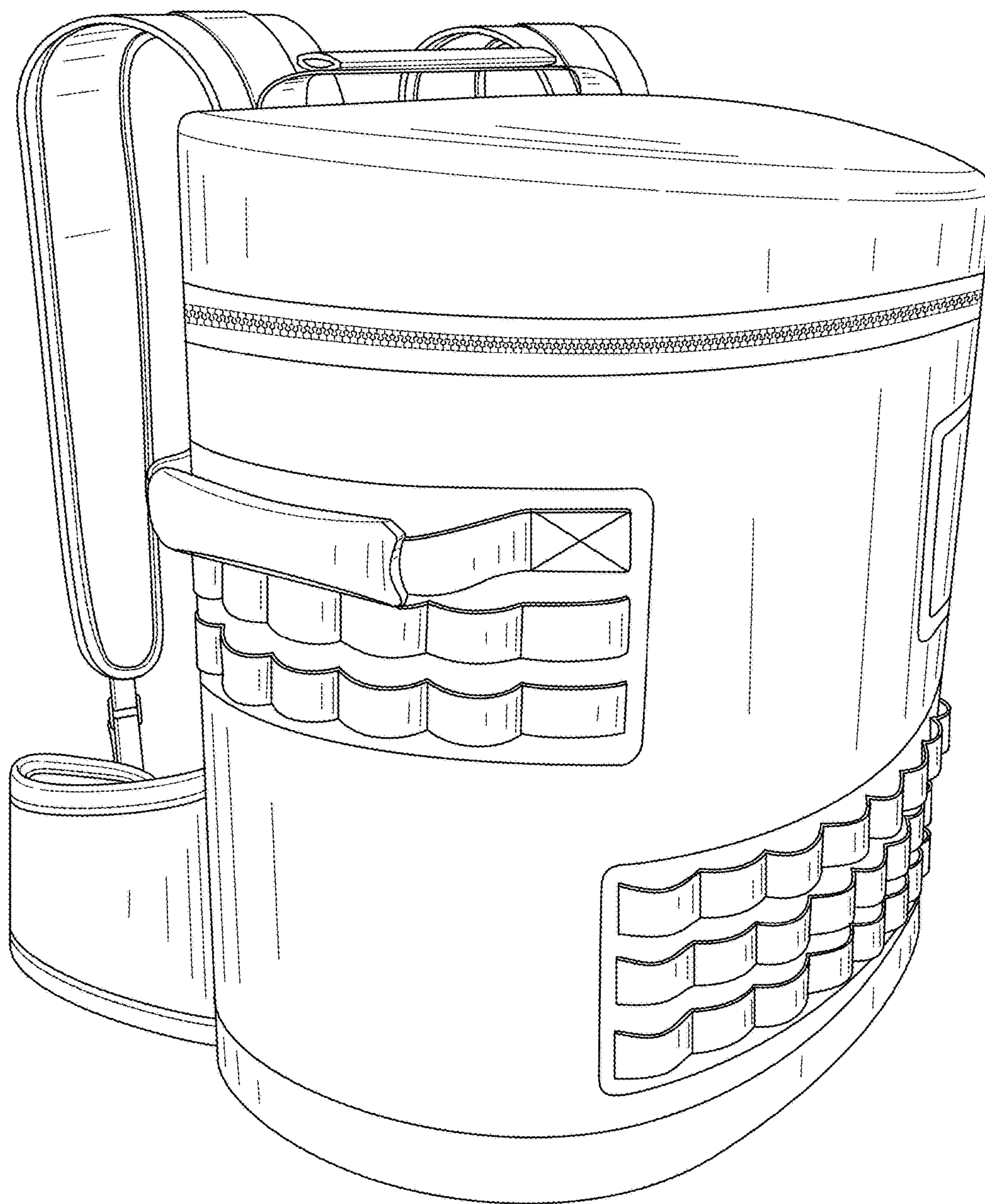


FIG. 1

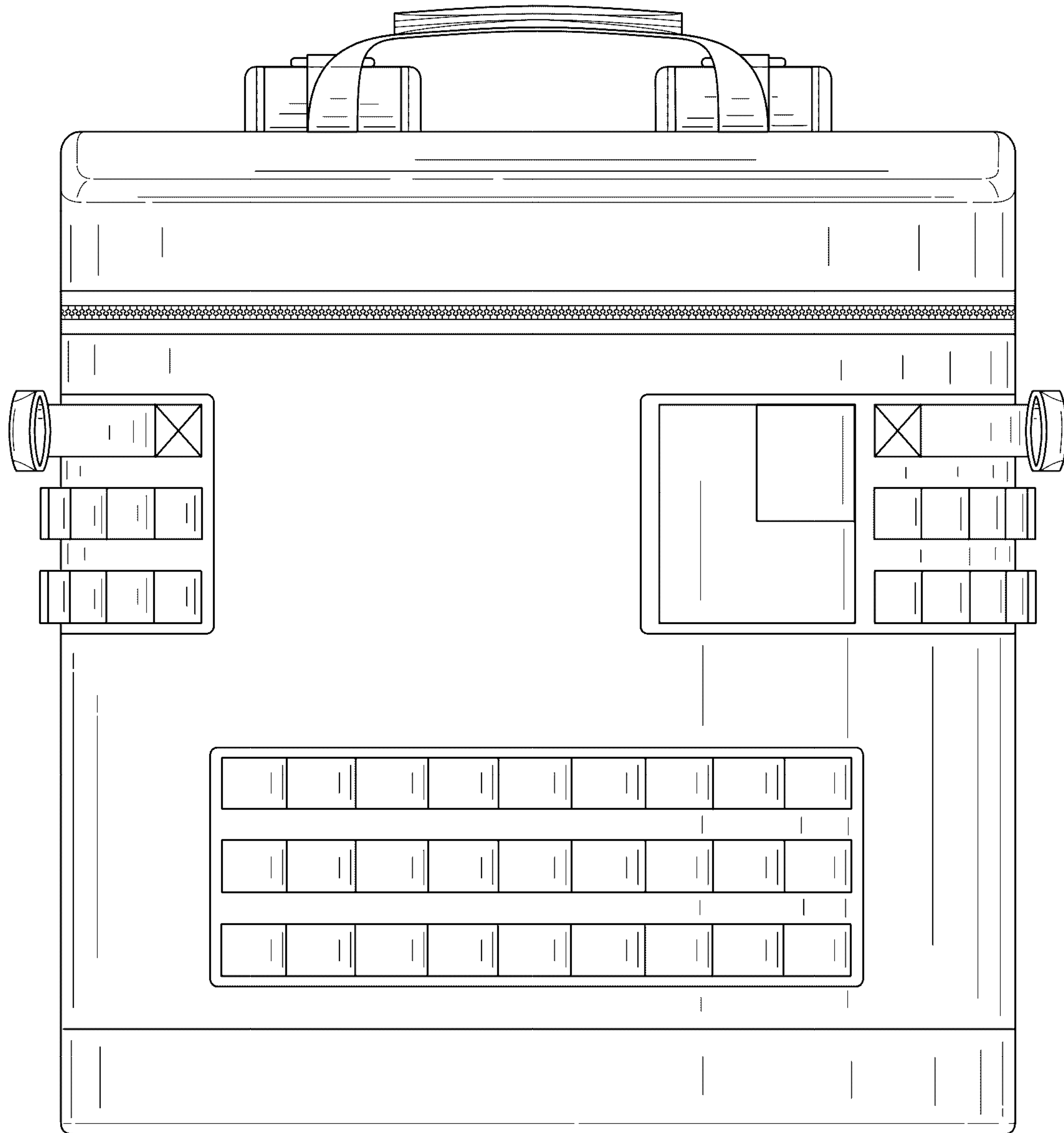


FIG. 2

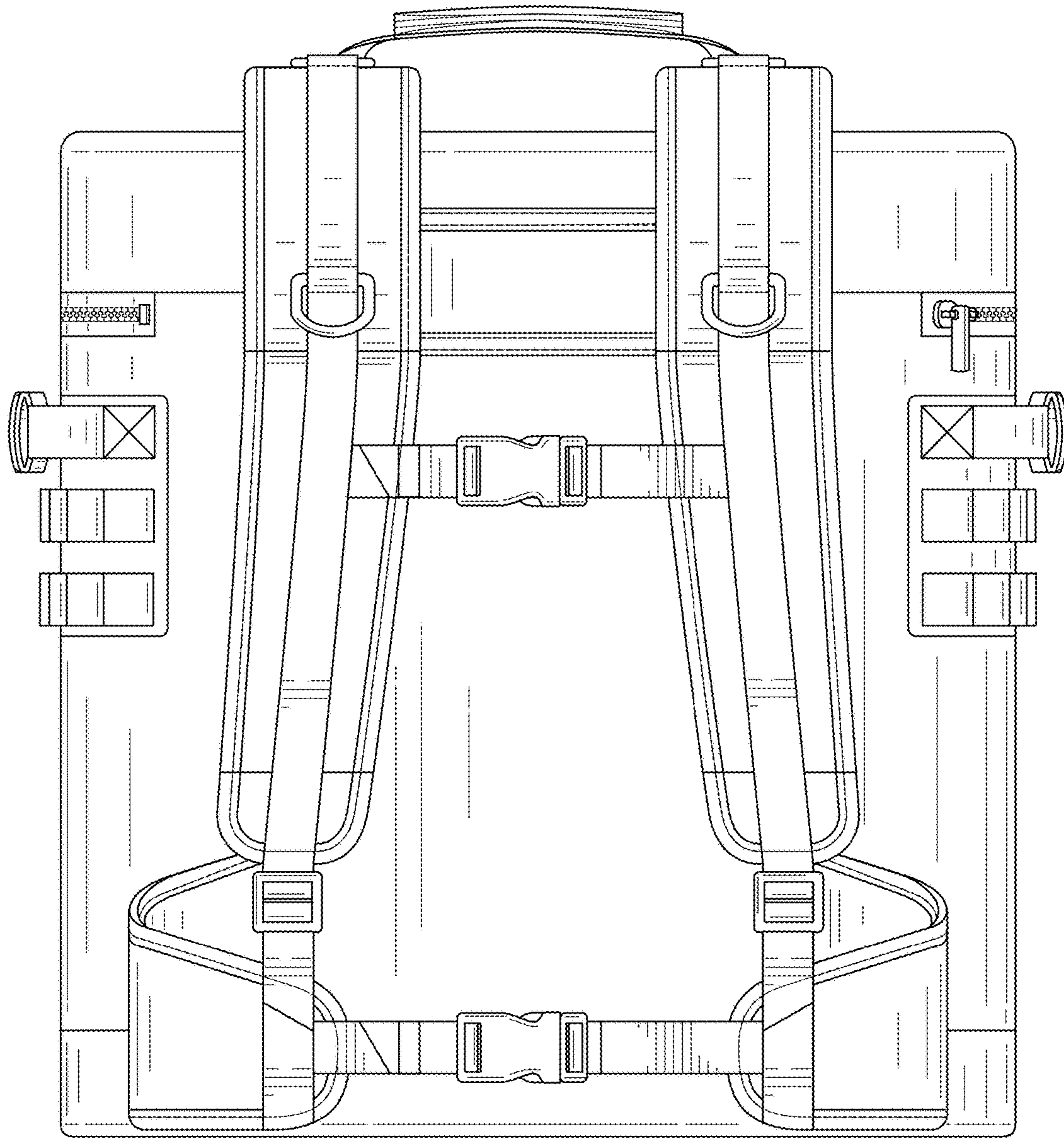


FIG. 3

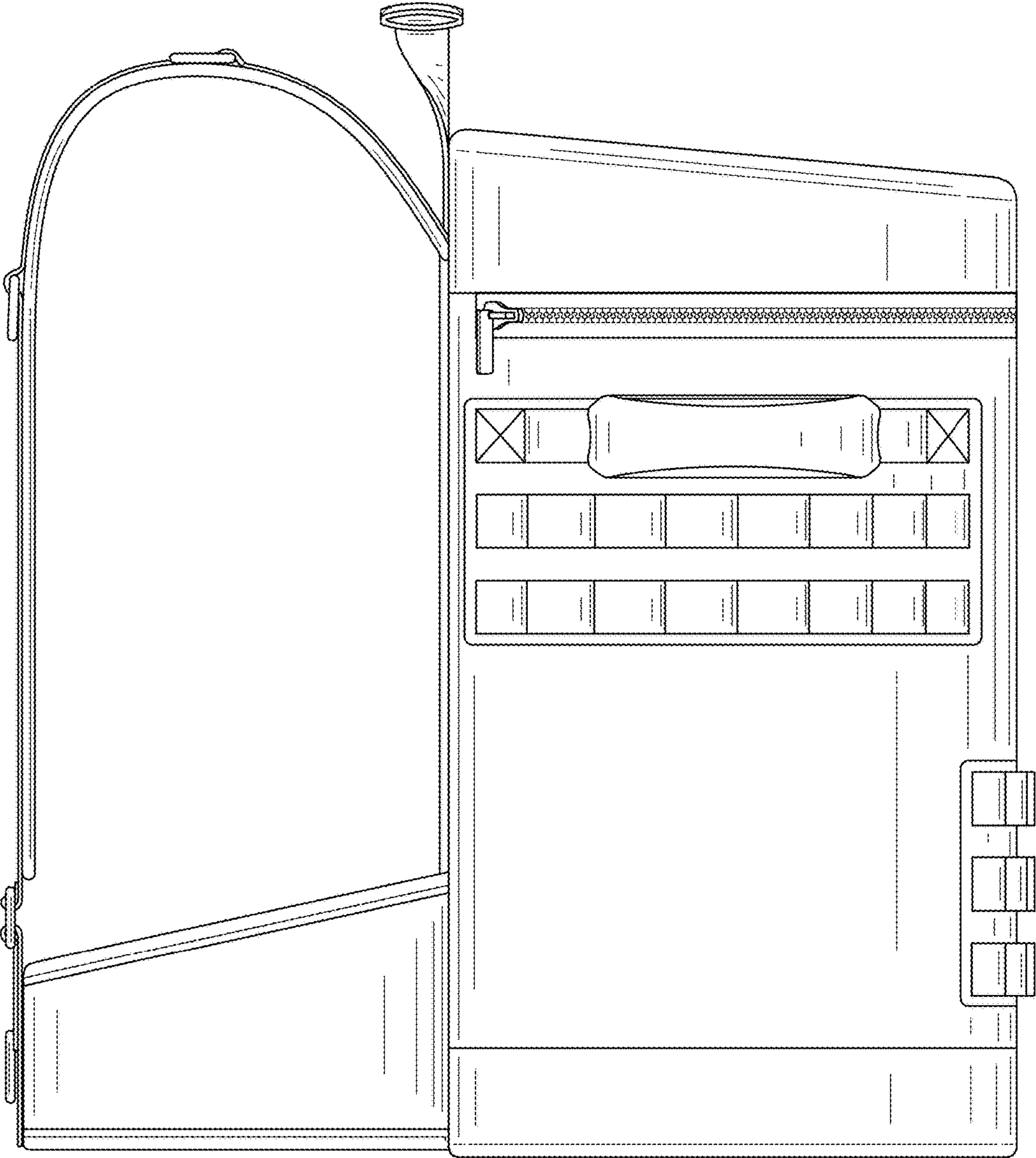


FIG. 4

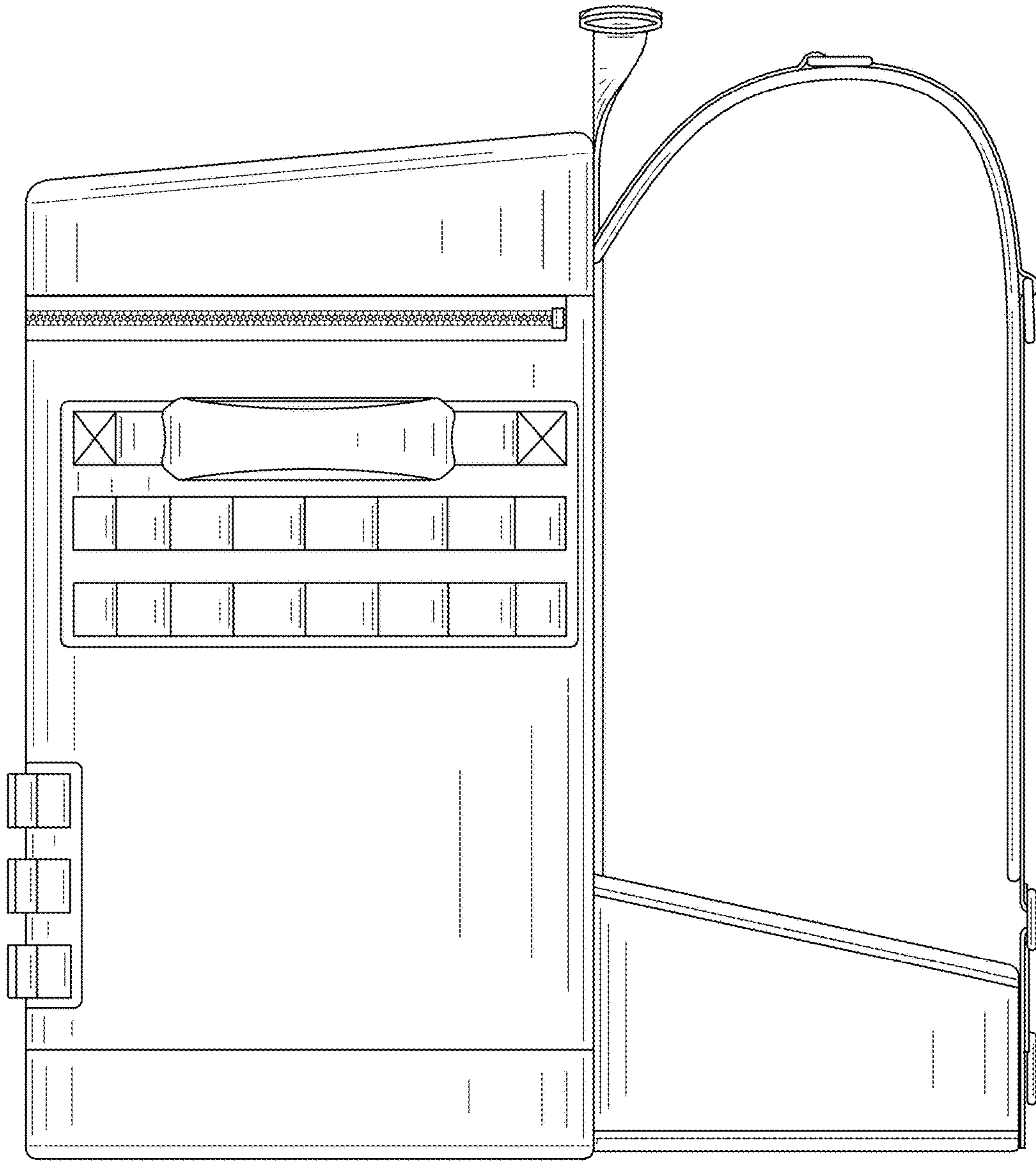


FIG. 5

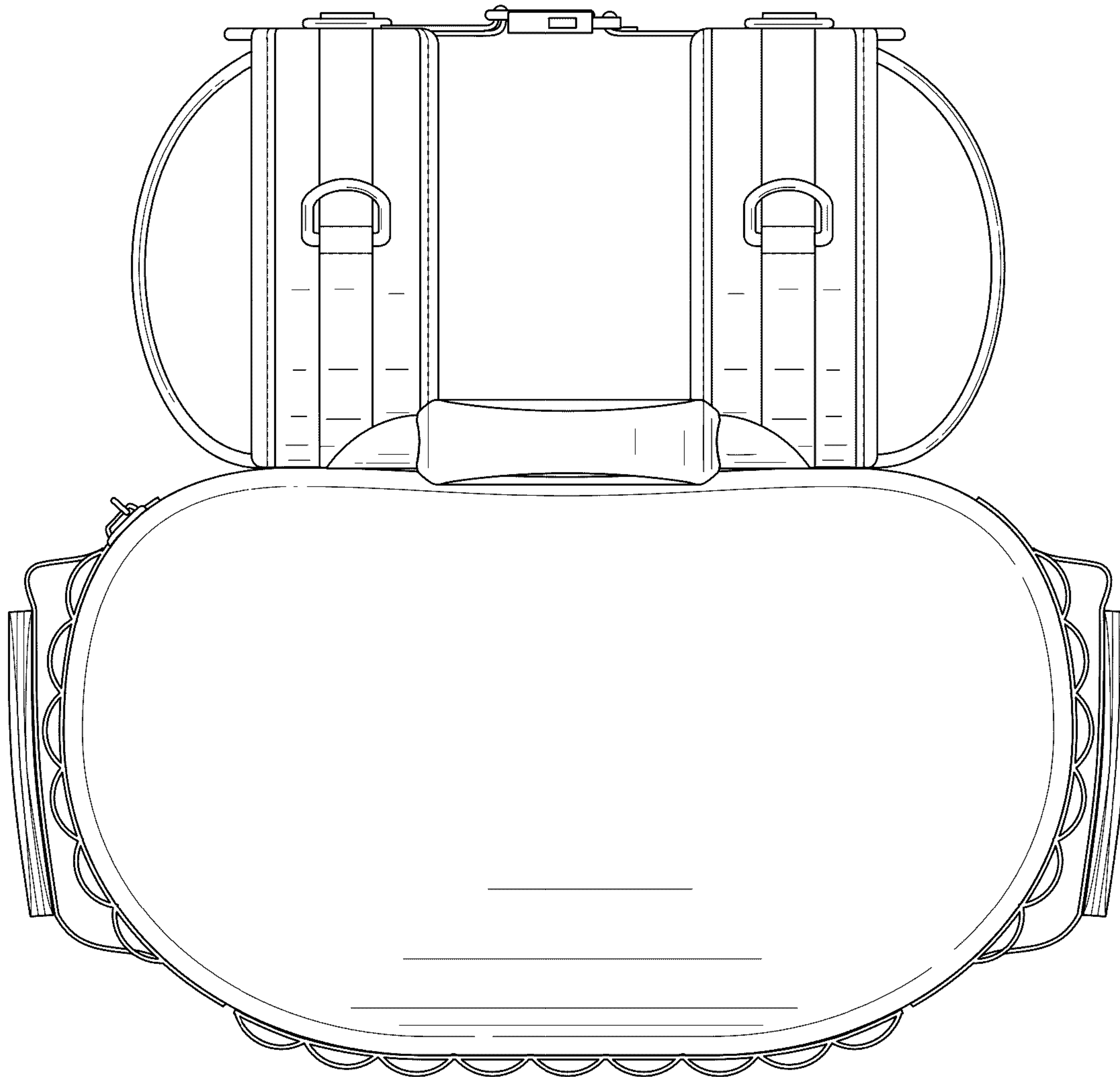


FIG. 6

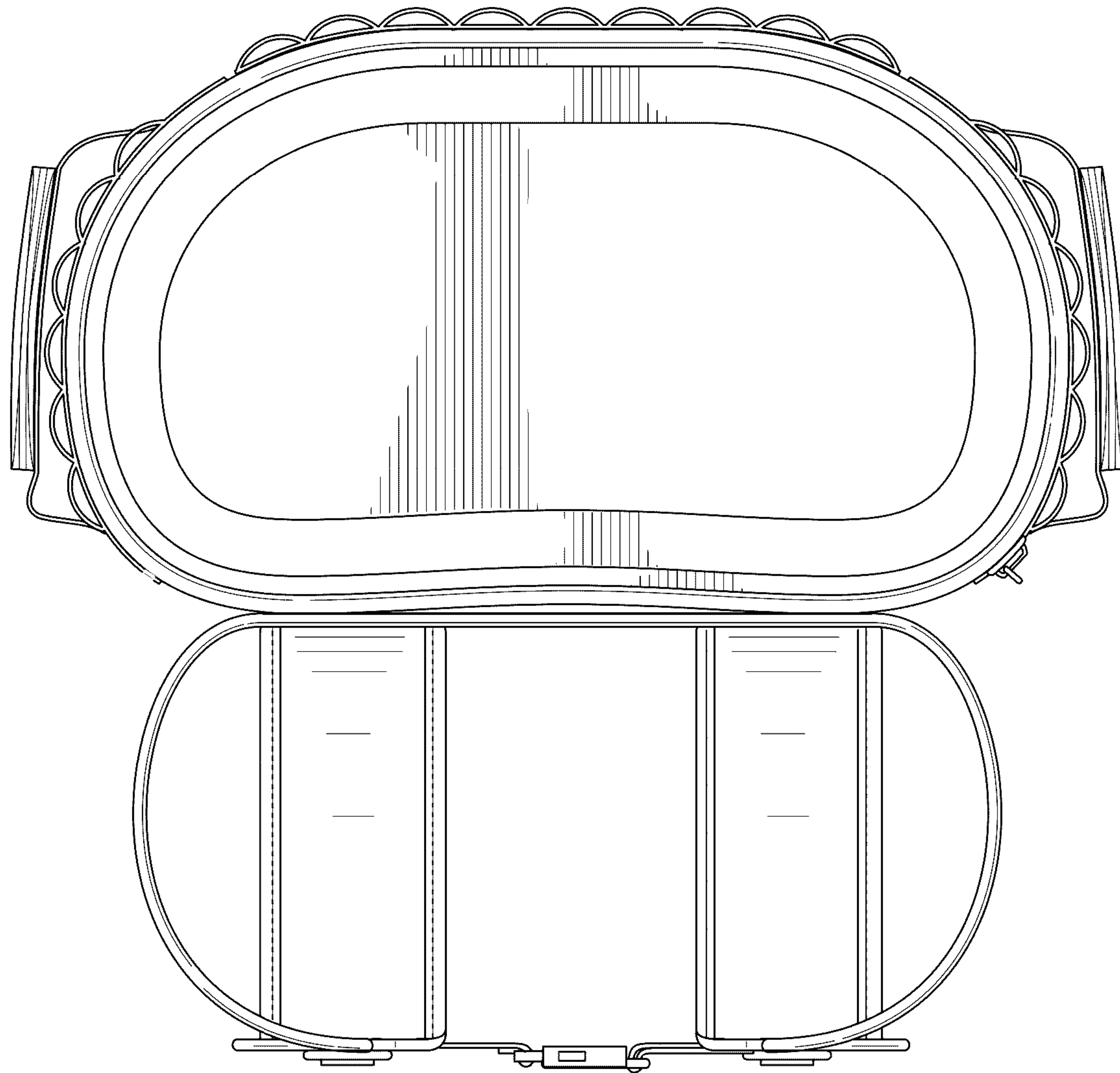


FIG. 7