



US00D772561S

(12) **United States Design Patent**  
**Polunsky et al.**

(10) **Patent No.:** **US D772,561 S**

(45) **Date of Patent:** **\*\* Nov. 29, 2016**

(54) **BAG**

(71) Applicant: **Academy, Ltd.**, Katy, TX (US)

(72) Inventors: **Ryan Katharine Polunsky**, Katy, TX (US); **Kenneth Don Smith, Jr.**, Katy, TX (US)

(73) Assignee: **Academy, Ltd.**, Katy, TX (US)

(\*\*) Term: **15 Years**

(21) Appl. No.: **29/531,192**

(22) Filed: **Jun. 24, 2015**

(51) **LOC (10) Cl.** ..... **03-01**

(52) **U.S. Cl.**  
USPC ..... **D3/216**

(58) **Field of Classification Search**  
USPC ..... D3/201, 213–219, 221, 224, 225, 229, D3/230, 232, 243–246, 254, 318, 255, 257, D3/316, 291, 273; D32/53  
CPC .... A45F 3/04; A45F 4/02; A45F 2200/0525; A45F 2003/045; A45C 11/00; A45C 13/30; A45C 2011/002; A45C 2011/003; A45C 2011/001; A45C 15/00  
See application file for complete search history.

(56) **References Cited**

**U.S. PATENT DOCUMENTS**

- 5,429,265 A \* 7/1995 Maire ..... B25H 3/00 206/372
- 5,595,429 A \* 1/1997 Kennedy ..... A47B 83/045 224/155
- 5,735,608 A 4/1998 Branco
- 5,743,447 A 4/1998 McDermott
- D414,337 S \* 9/1999 Hubert ..... D3/222

- 5,975,293 A 11/1999 Fowler
- 6,085,902 A 7/2000 Fang
- 6,092,661 A \* 7/2000 Mogil ..... A63B 55/408 150/106
- D446,617 S \* 8/2001 Urbanski ..... D32/53
- D465,922 S 11/2002 Davis

(Continued)

*Primary Examiner* — George D Kirschbaum

*Assistant Examiner* — Jennifer Watkins

(74) *Attorney, Agent, or Firm* — Kilpatrick Townsend & Stockton LLP

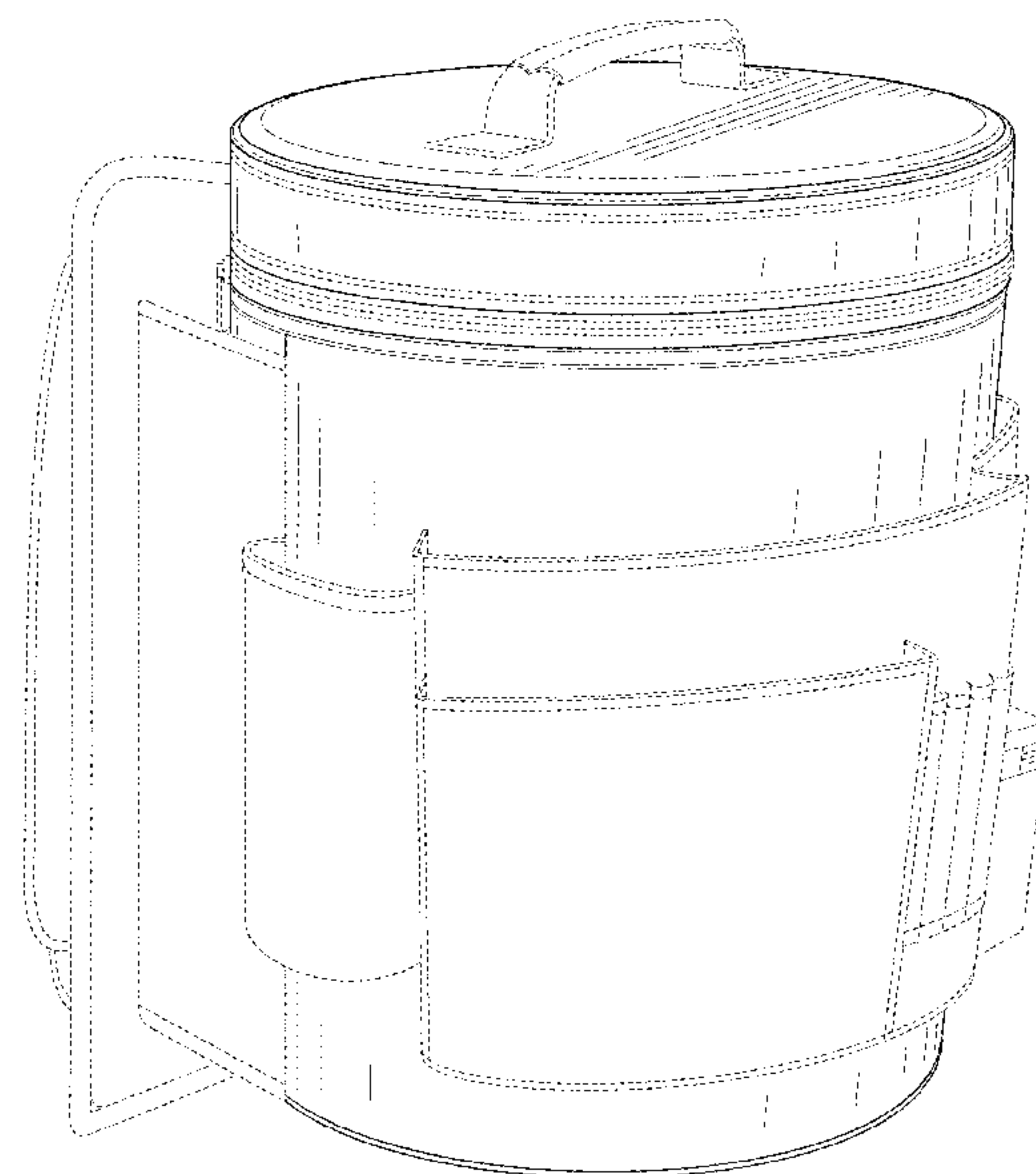
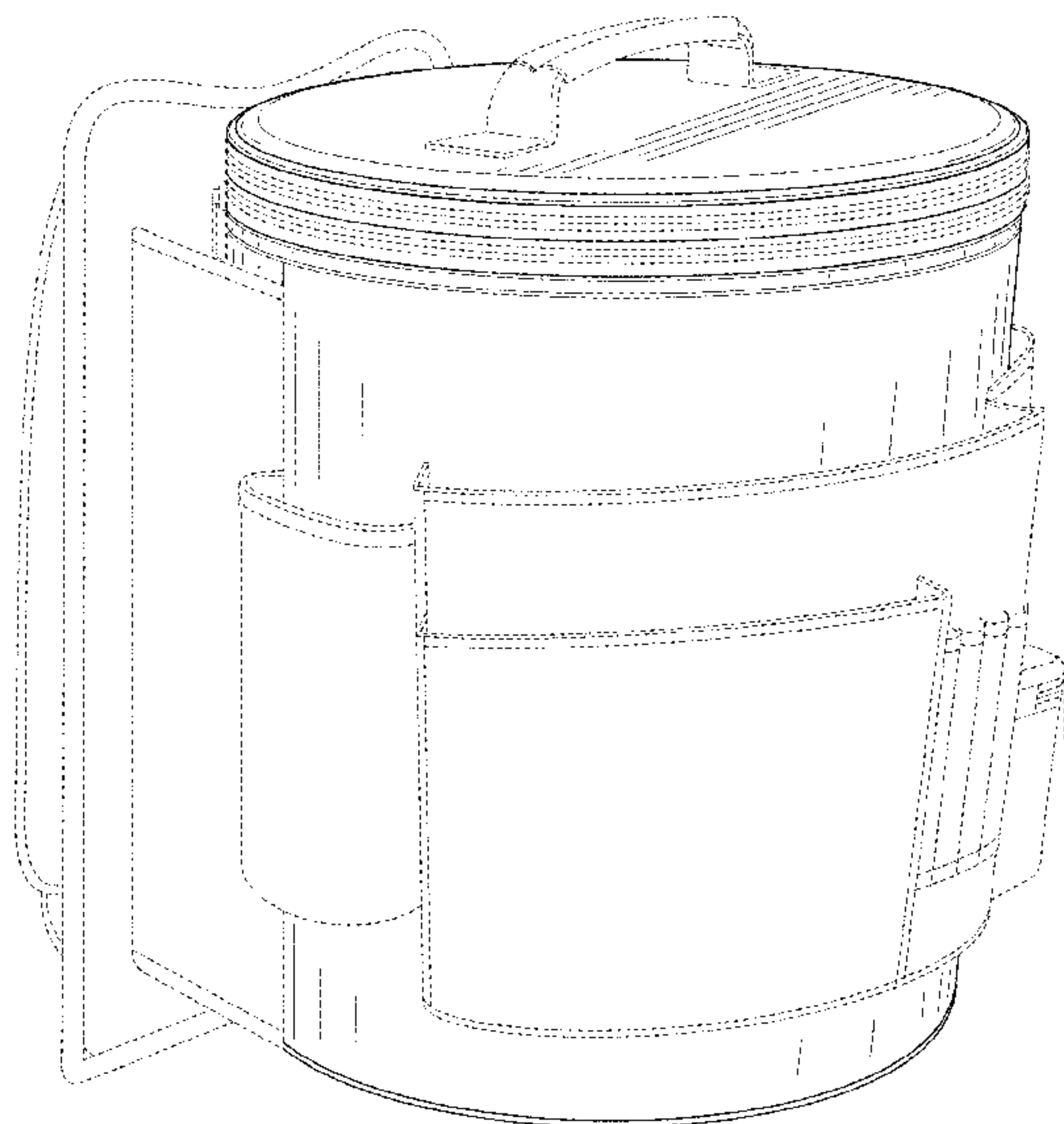
(57) **CLAIM**

The ornamental design for a bag, as shown and described.

**DESCRIPTION**

FIG. 1 is a perspective view of a bag in a first configuration. FIG. 2 is a front view of the bag of FIG. 1. FIG. 3 is a rear view of the bag of FIG. 1. FIG. 4 is a left side view of the bag of FIG. 1. FIG. 5 is a right side view of the bag of FIG. 1. FIG. 6 is a top view of the bag of FIG. 1. FIG. 7 is a bottom view of the bag of FIG. 1. FIG. 8 is a perspective view of the bag of FIG. 1 in an expanded, second configuration. FIG. 9 is a front view of the bag of FIG. 8. FIG. 10 is a rear view of the bag of FIG. 8. FIG. 11 is a left side view of the bag of FIG. 8. FIG. 12 is a right side view of the bag of FIG. 8. FIG. 13 is a top view of the bag of FIG. 8; and, FIG. 14 is a bottom view of the bag of FIG. 8. The broken lines in the figures illustrate portions of a bag and form no part of the claim.

**1 Claim, 14 Drawing Sheets**



(56)

**References Cited**

U.S. PATENT DOCUMENTS

D506,865 S	7/2005	Homsher et al.		D590,148 S	4/2009	Lin	
6,938,761 B2	9/2005	Nish		7,703,646 B2	4/2010	Chen	
D526,783 S *	8/2006	Leighton .....	D3/316	D648,537 S	11/2011	Kostner	
D527,892 S	9/2006	Yang		D661,093 S	6/2012	Jusic	
7,153,025 B1	12/2006	Jackson et al.		8,251,269 B2	8/2012	Winneur	
D536,526 S *	2/2007	Leighton .....	D3/316	D691,793 S	10/2013	Anigwe	
D551,447 S	9/2007	Ogawa		D699,031 S	2/2014	Clavette et al.	
7,431,313 B1 *	10/2008	Torres .....	B25H 3/00 280/124.12	D702,041 S	4/2014	Wu	
				2007/0205234 A1 *	9/2007	Lessmann .....	A45F 3/04 224/155
				2013/0264161 A1	10/2013	Thompson	
				2015/0076202 A1	3/2015	Jensen et al.	

\* cited by examiner

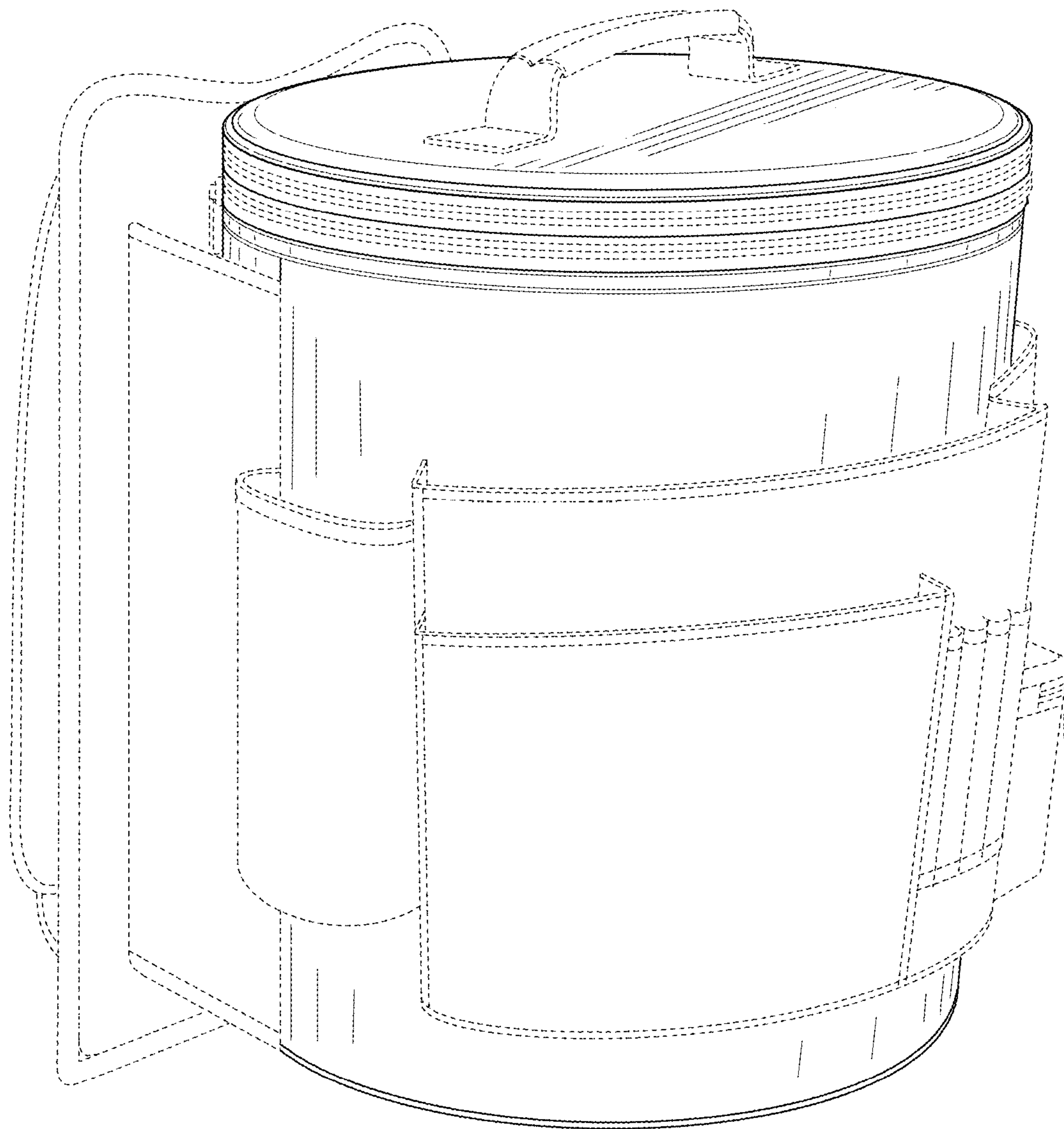


FIG. 1

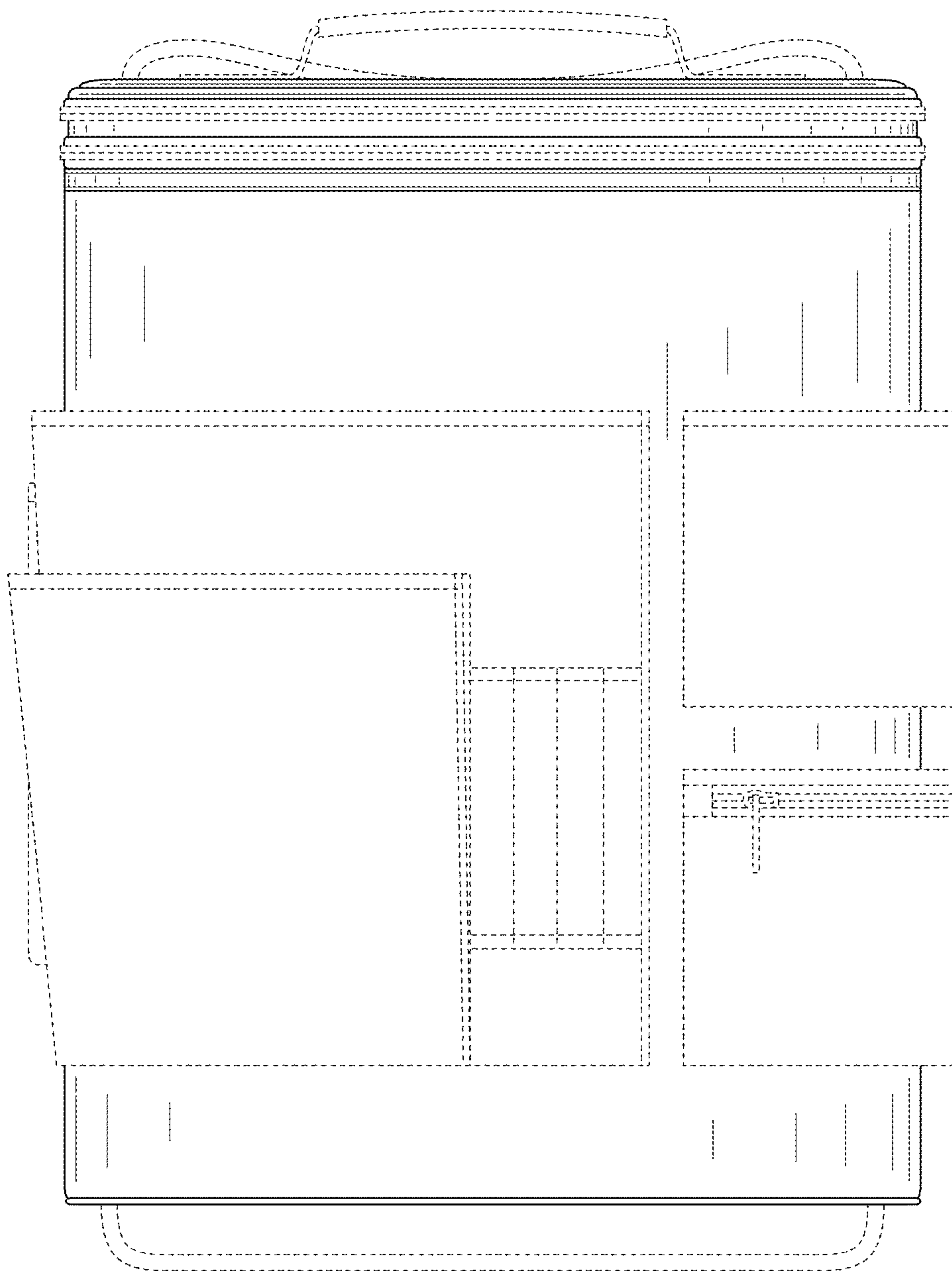


FIG. 2

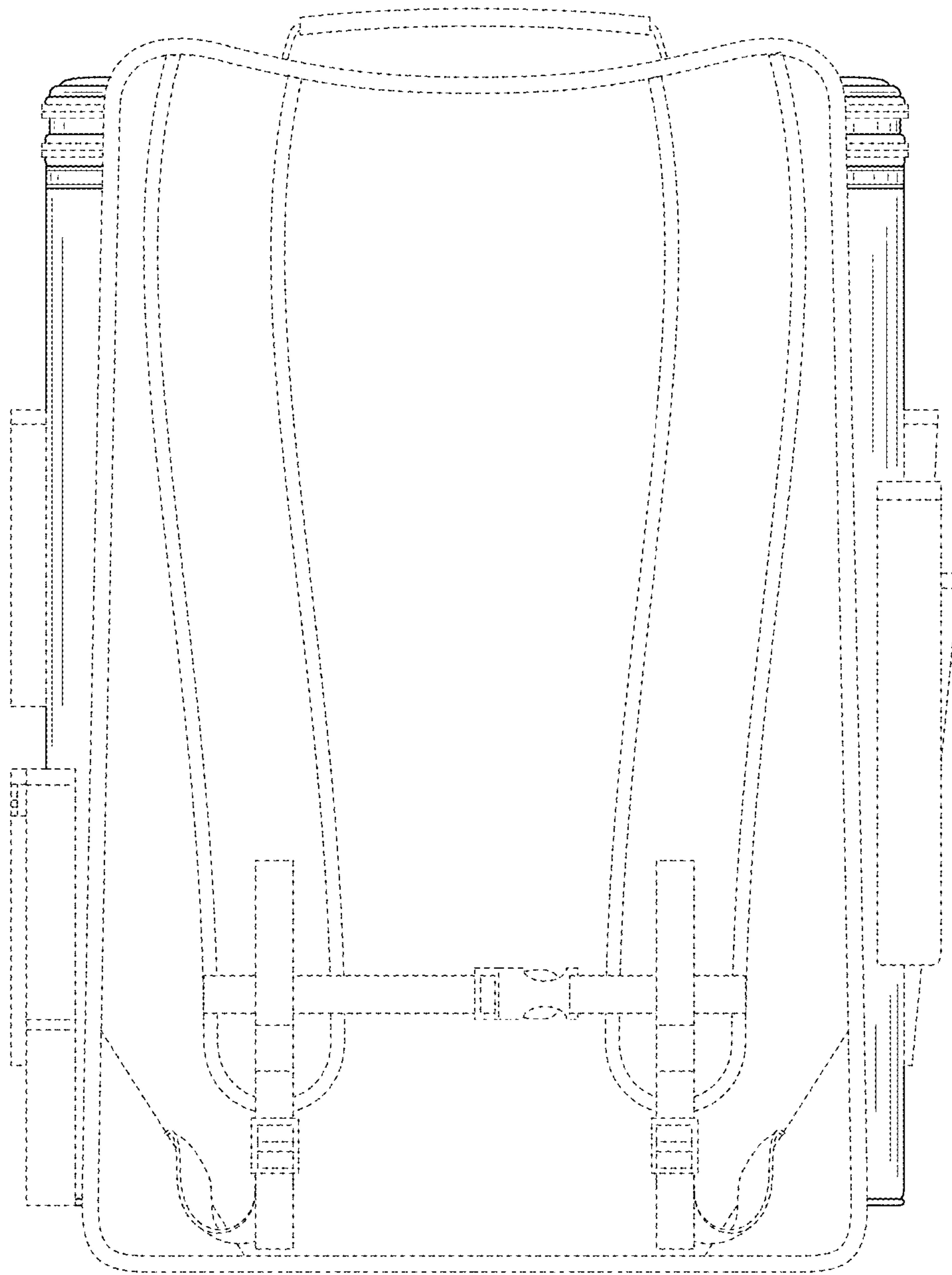


FIG. 3



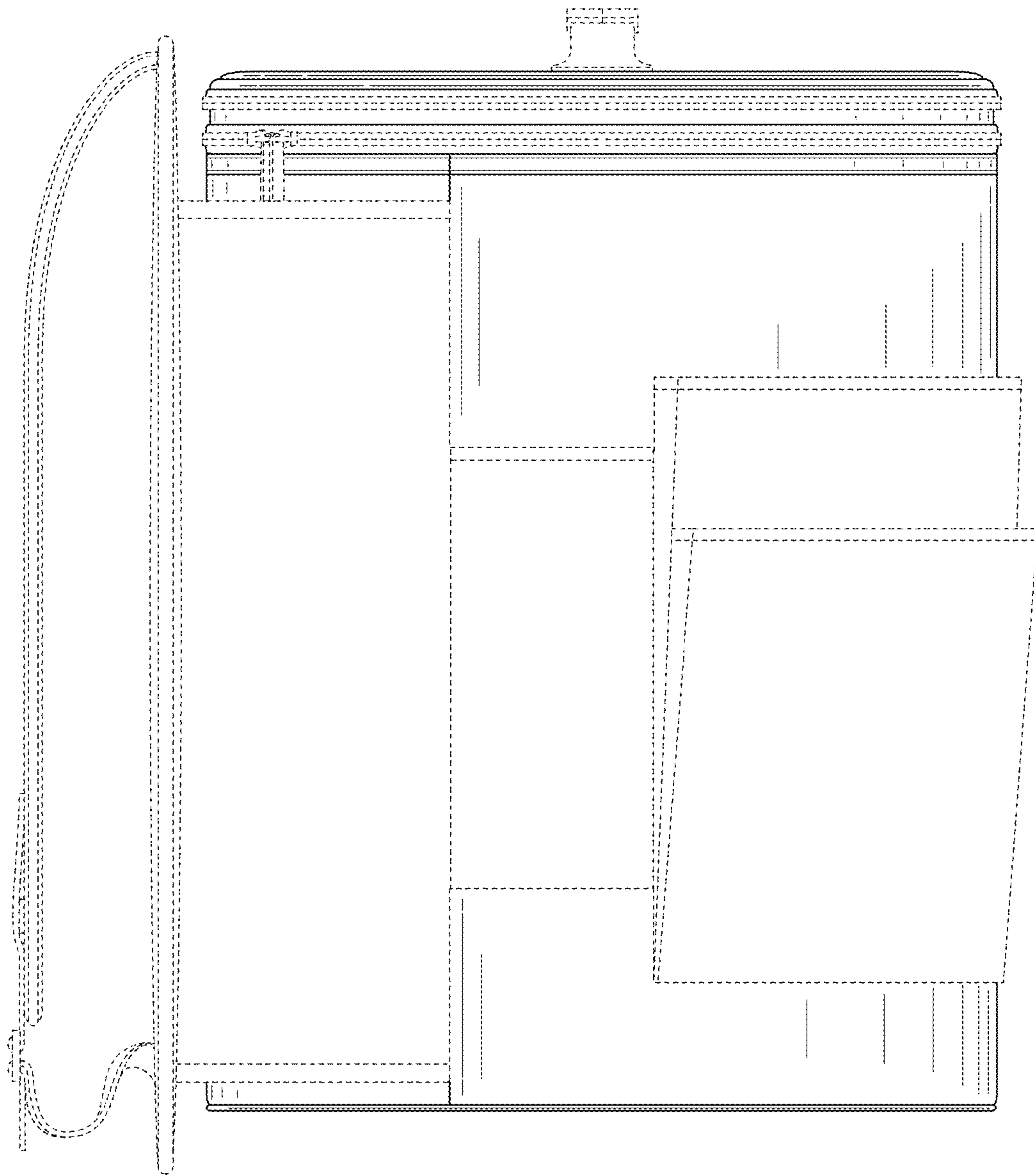


FIG. 4

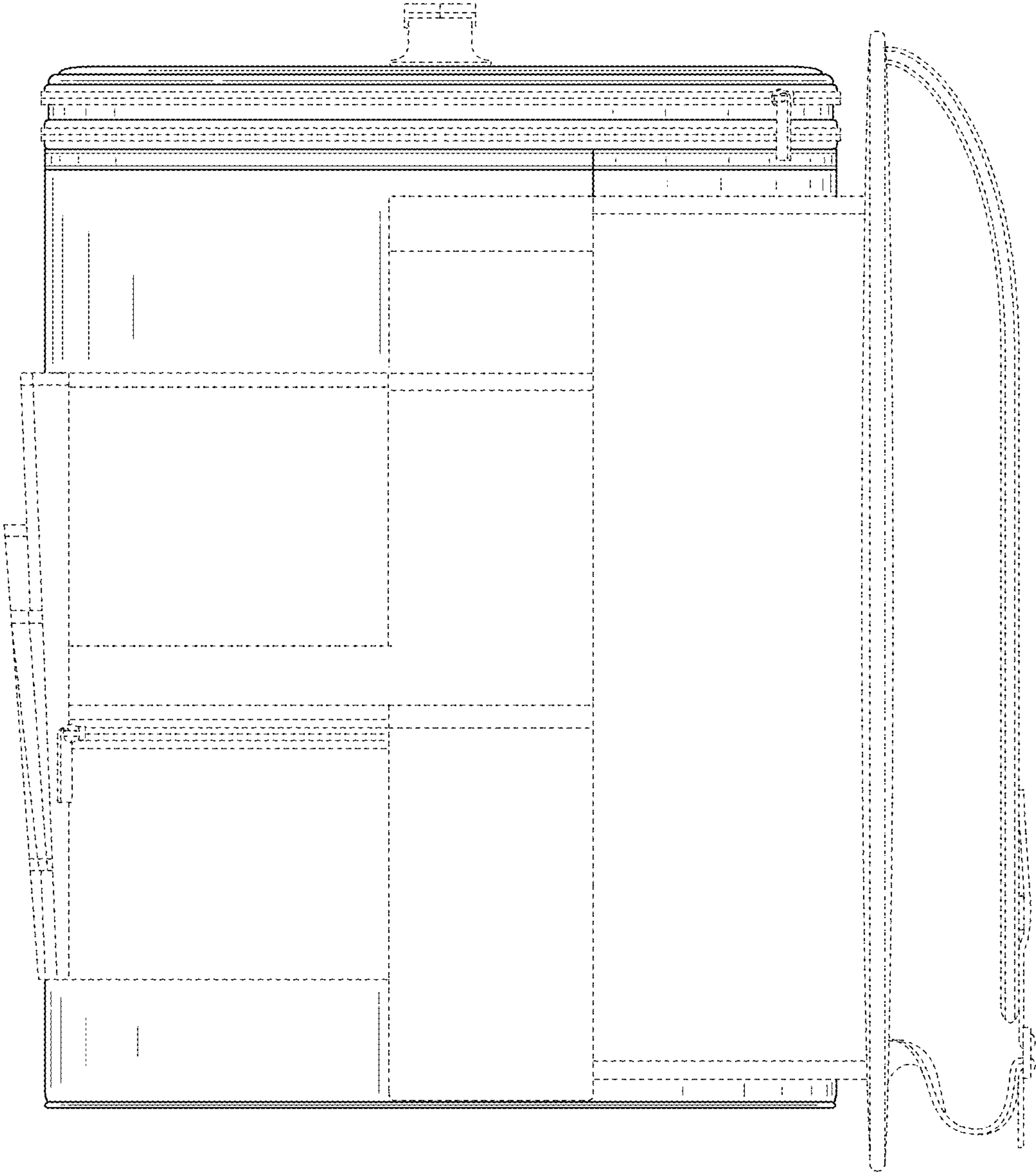


FIG. 5

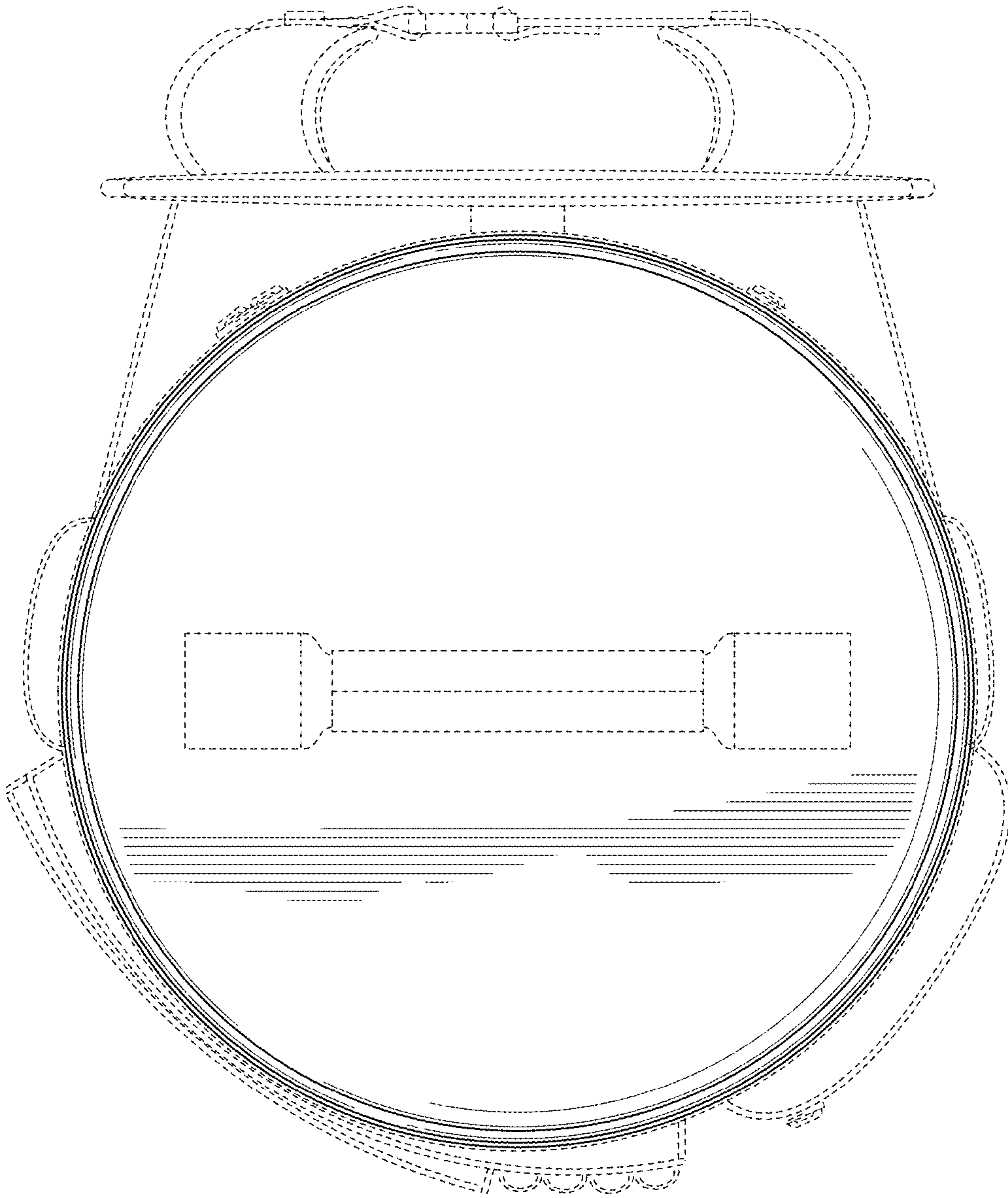
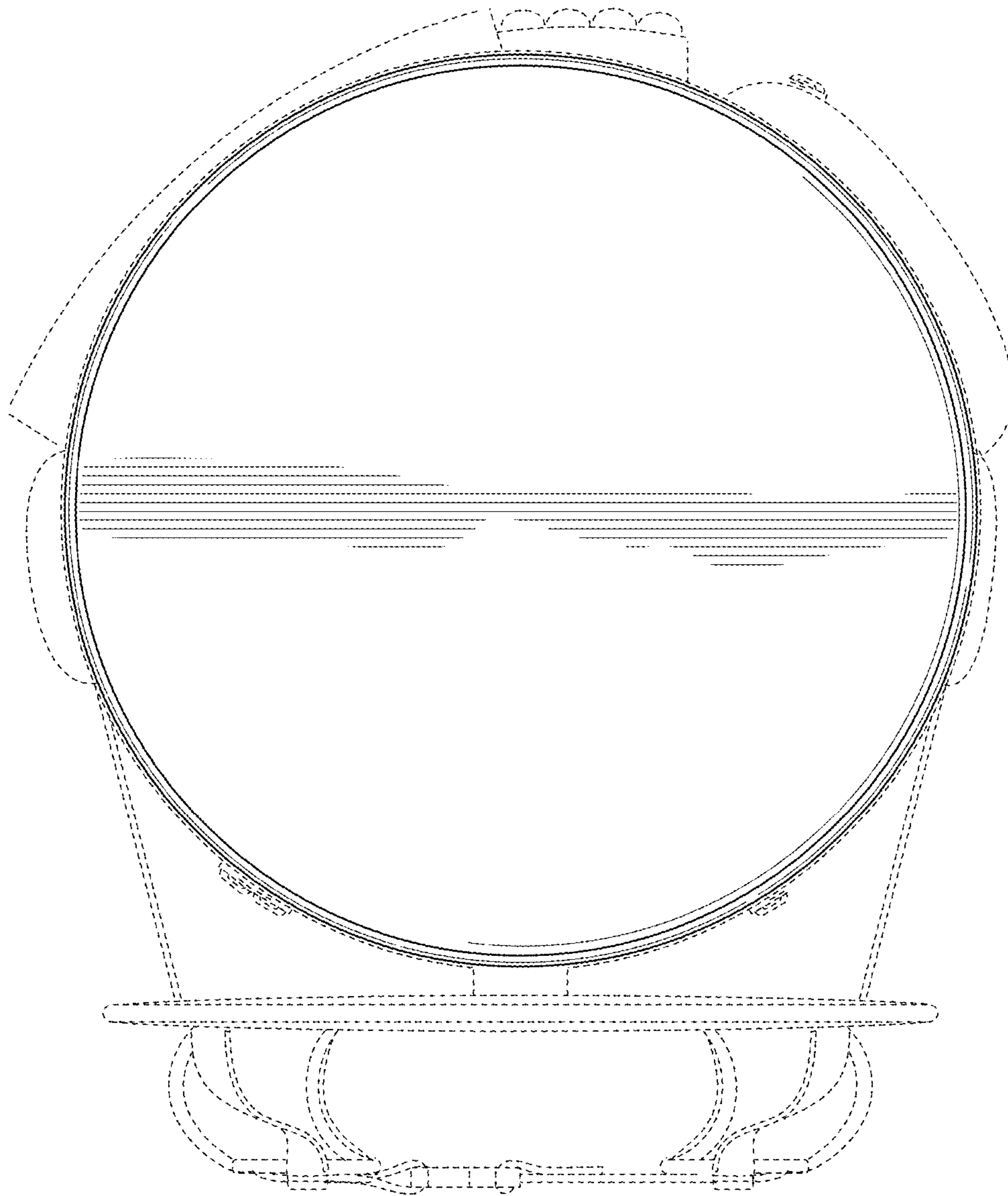


FIG. 6





**FIG. 7**

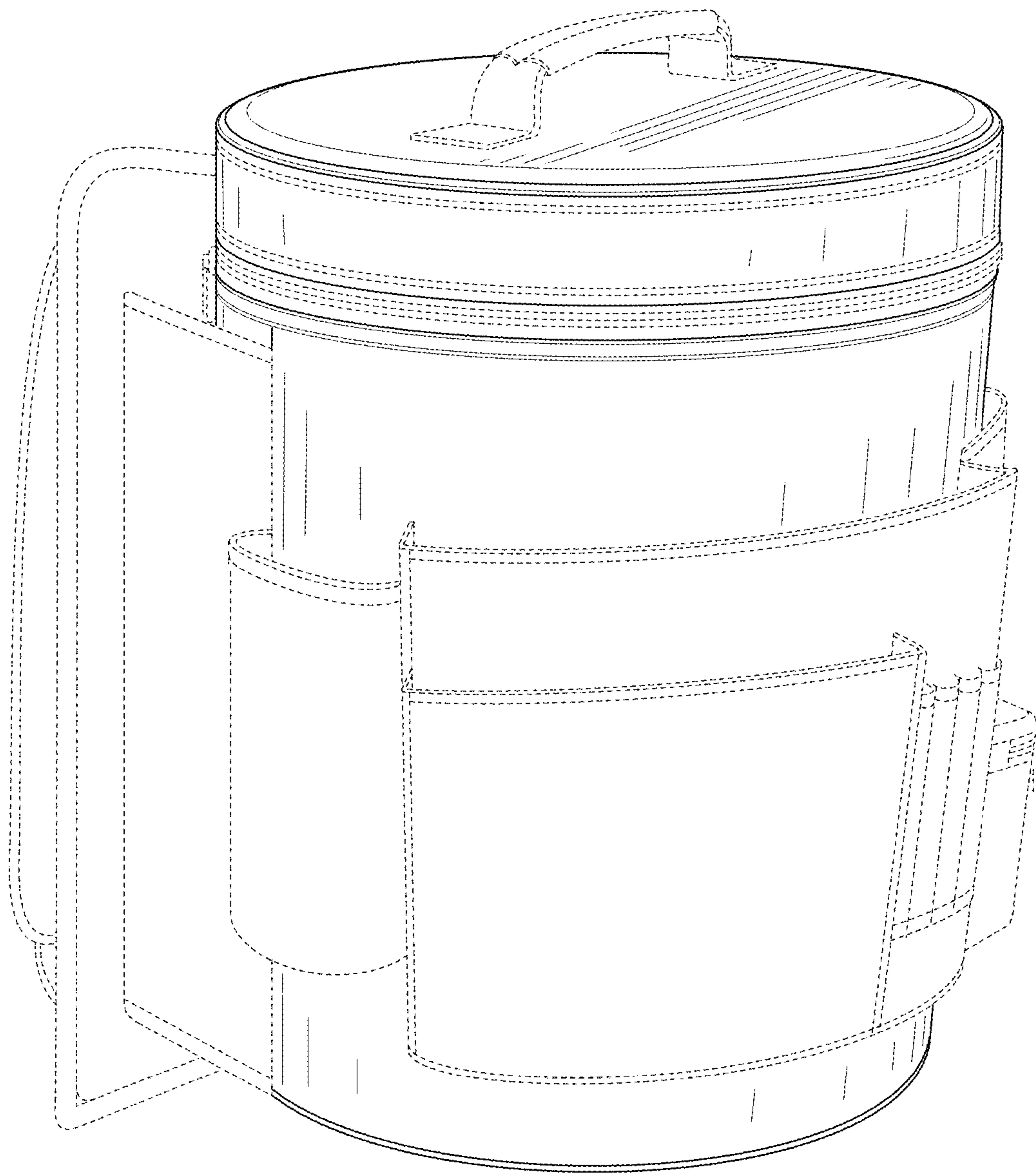


FIG. 8

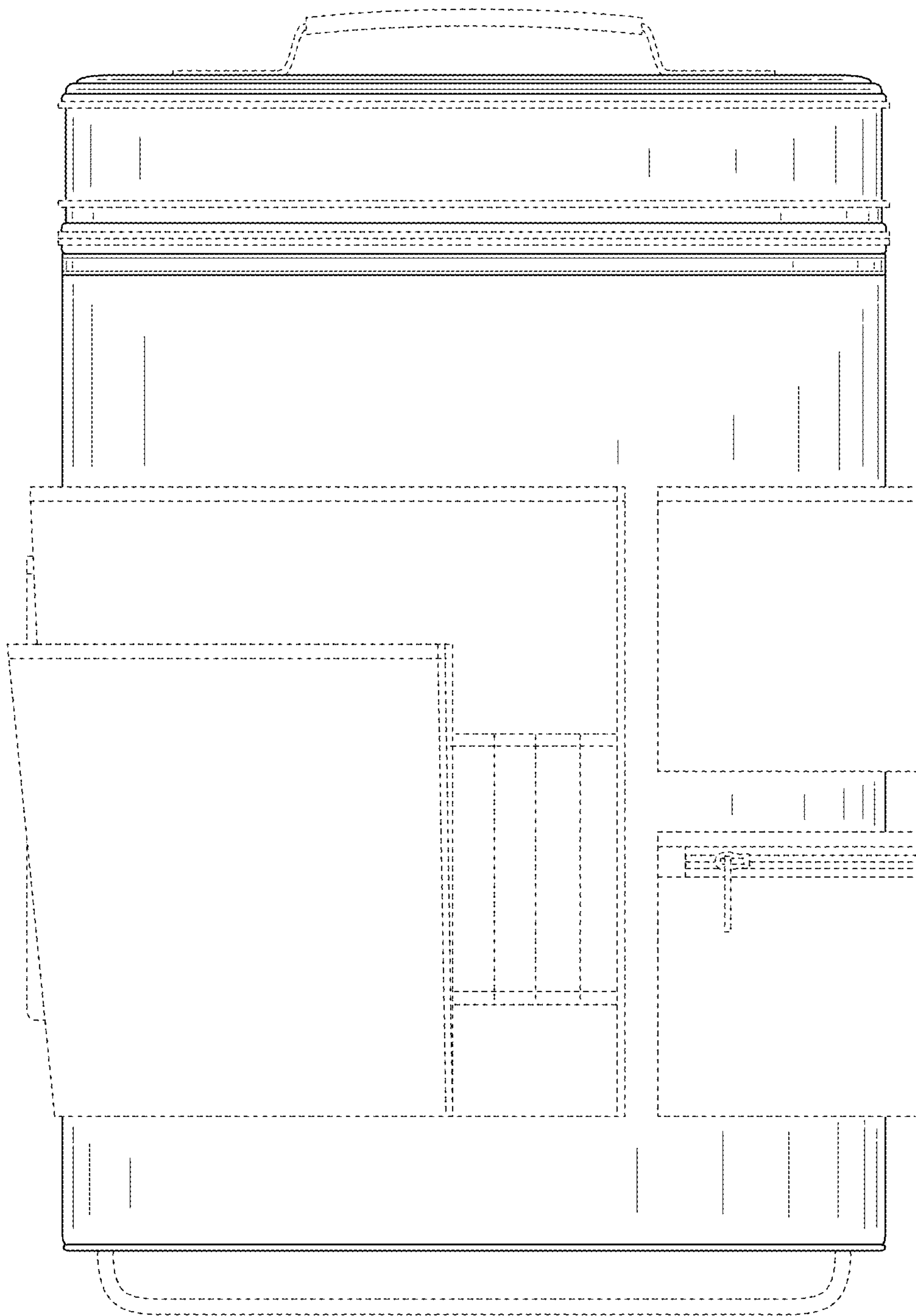
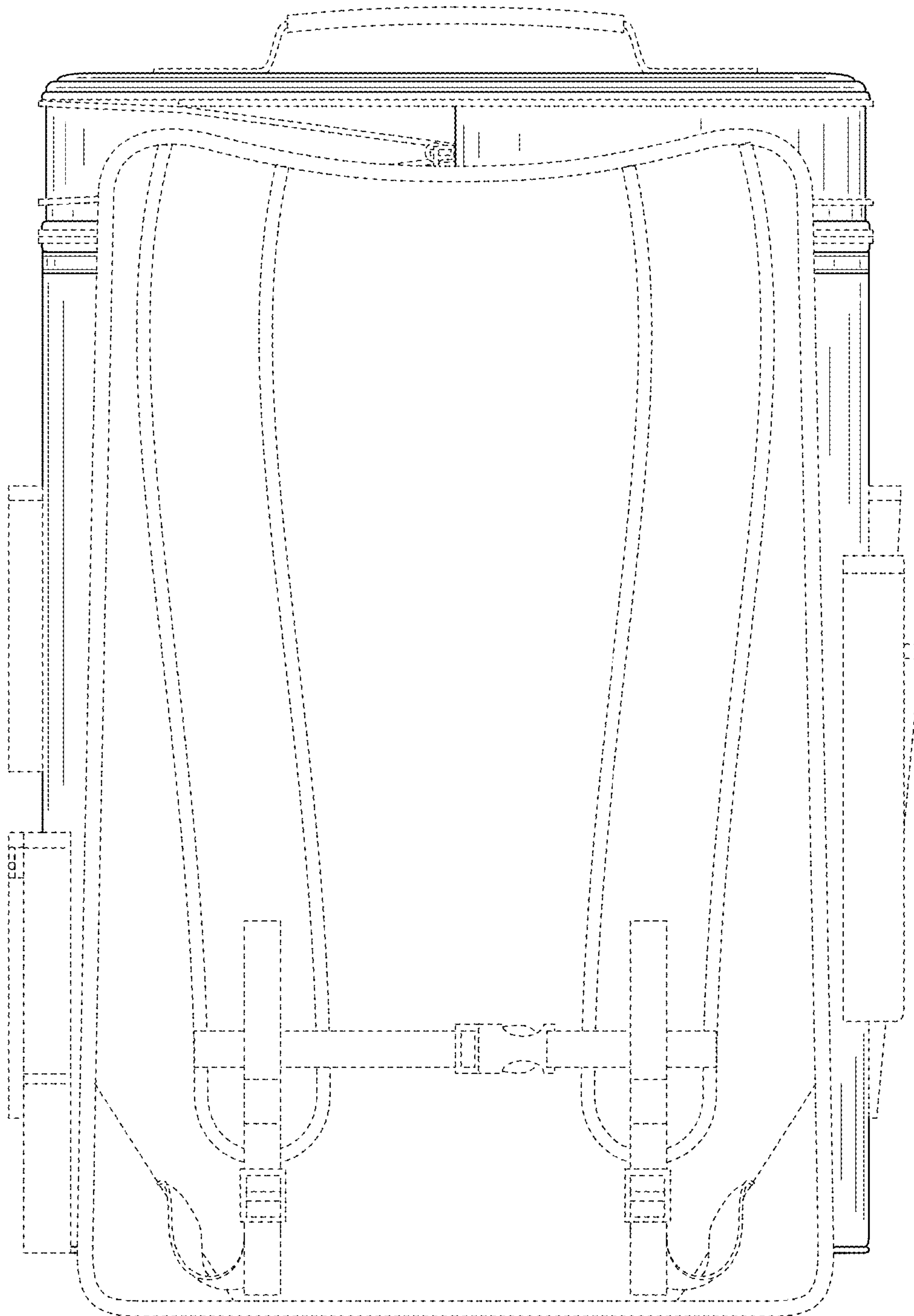


FIG. 9



**FIG. 10**

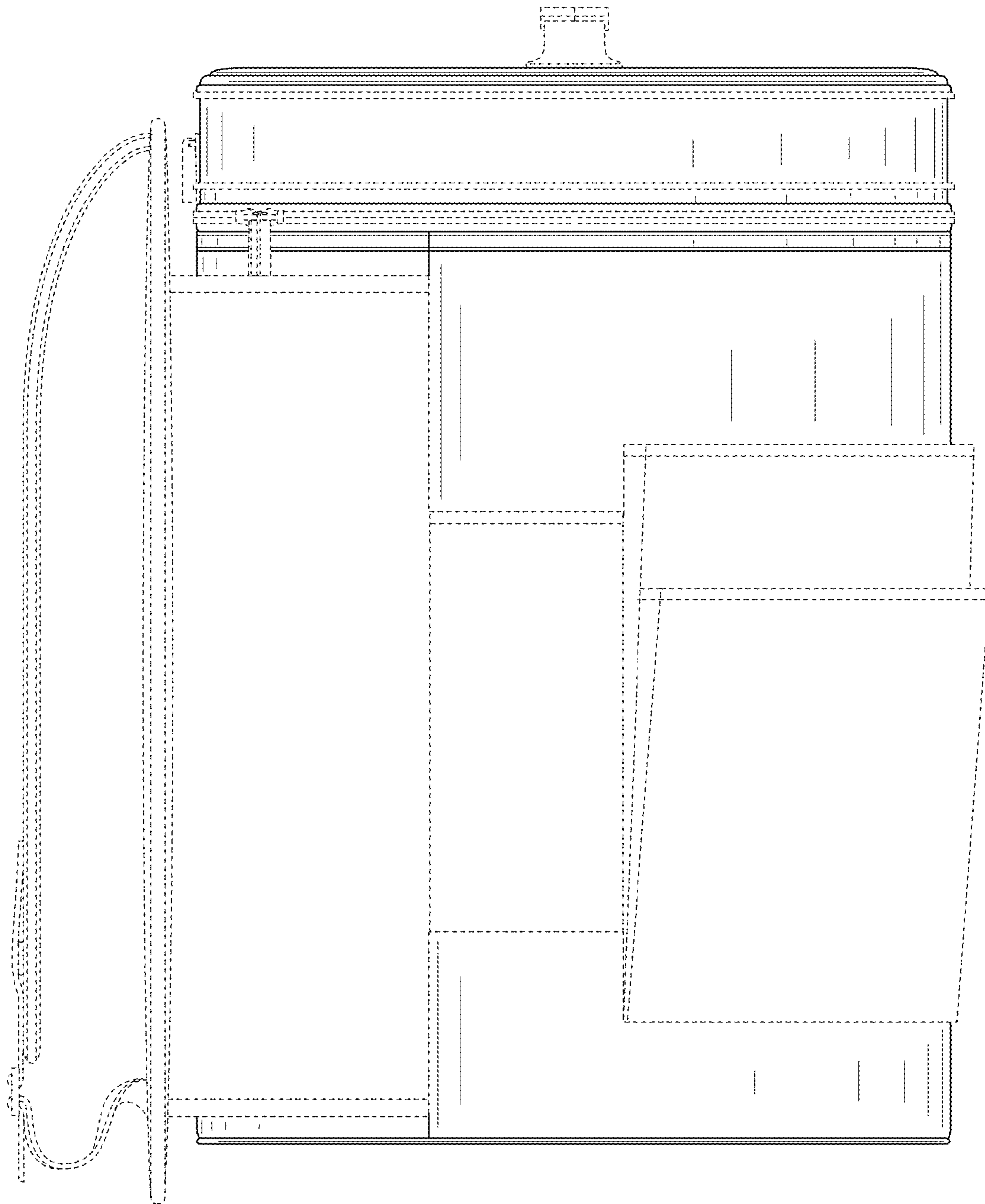


FIG. 11



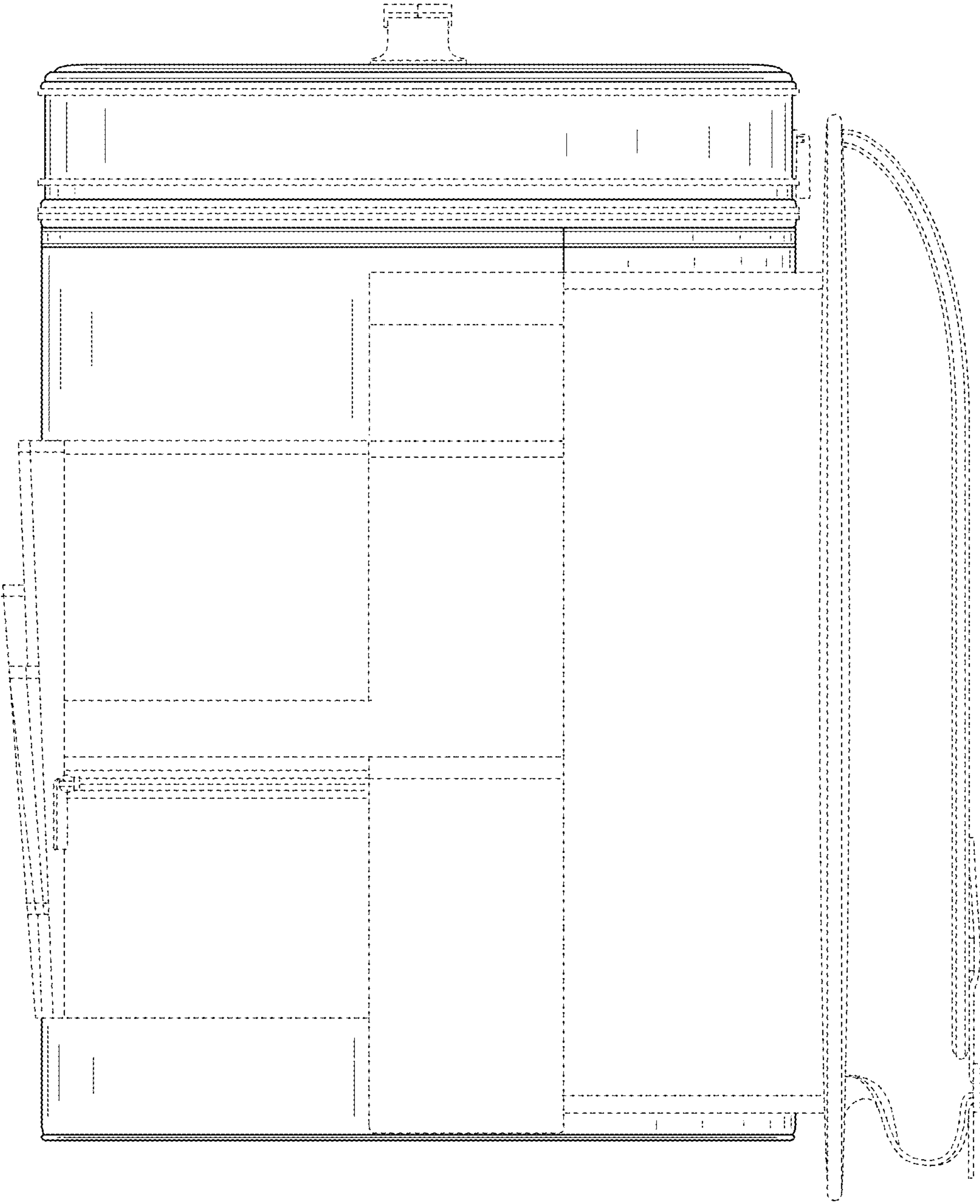


FIG. 12

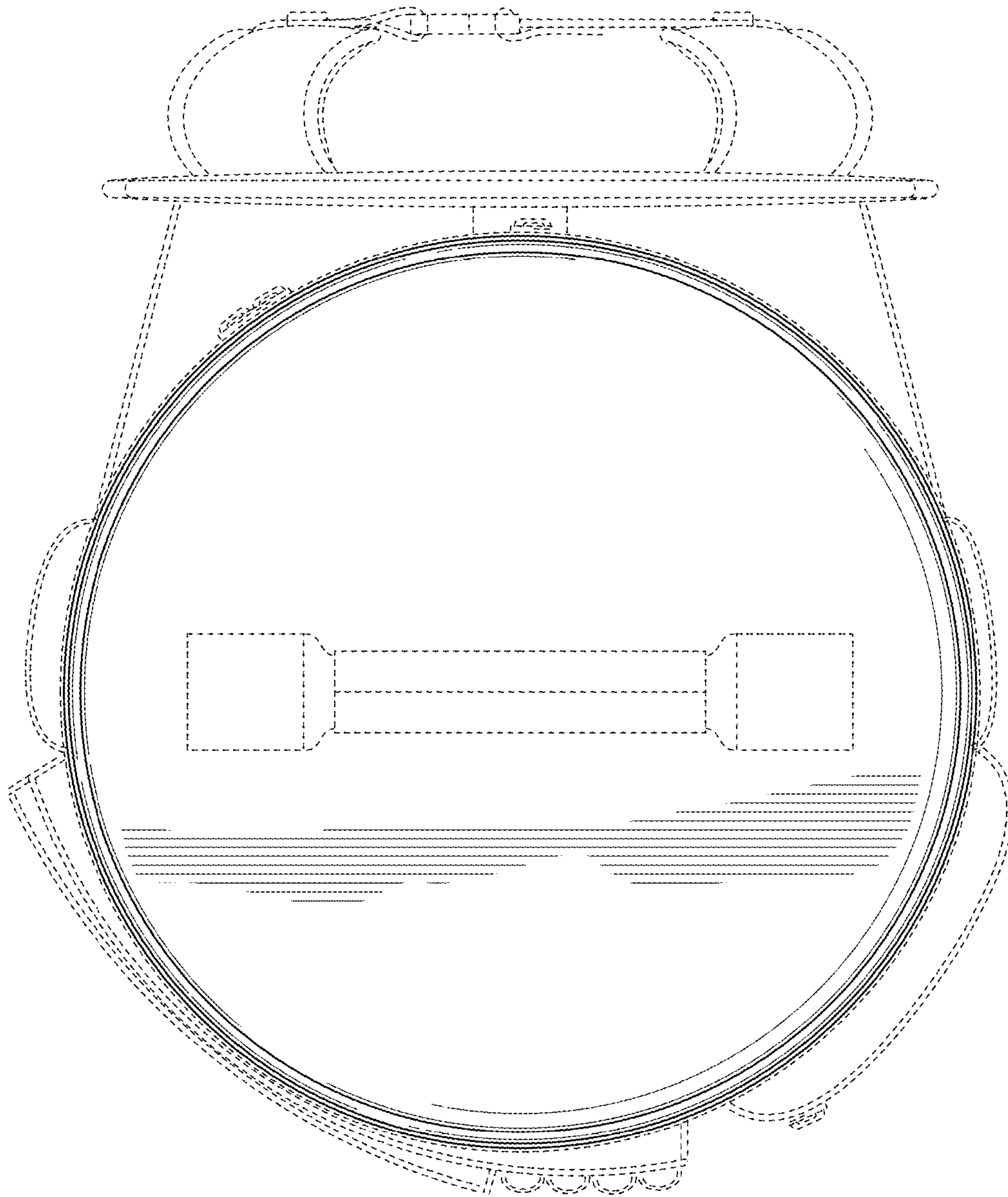


FIG. 13

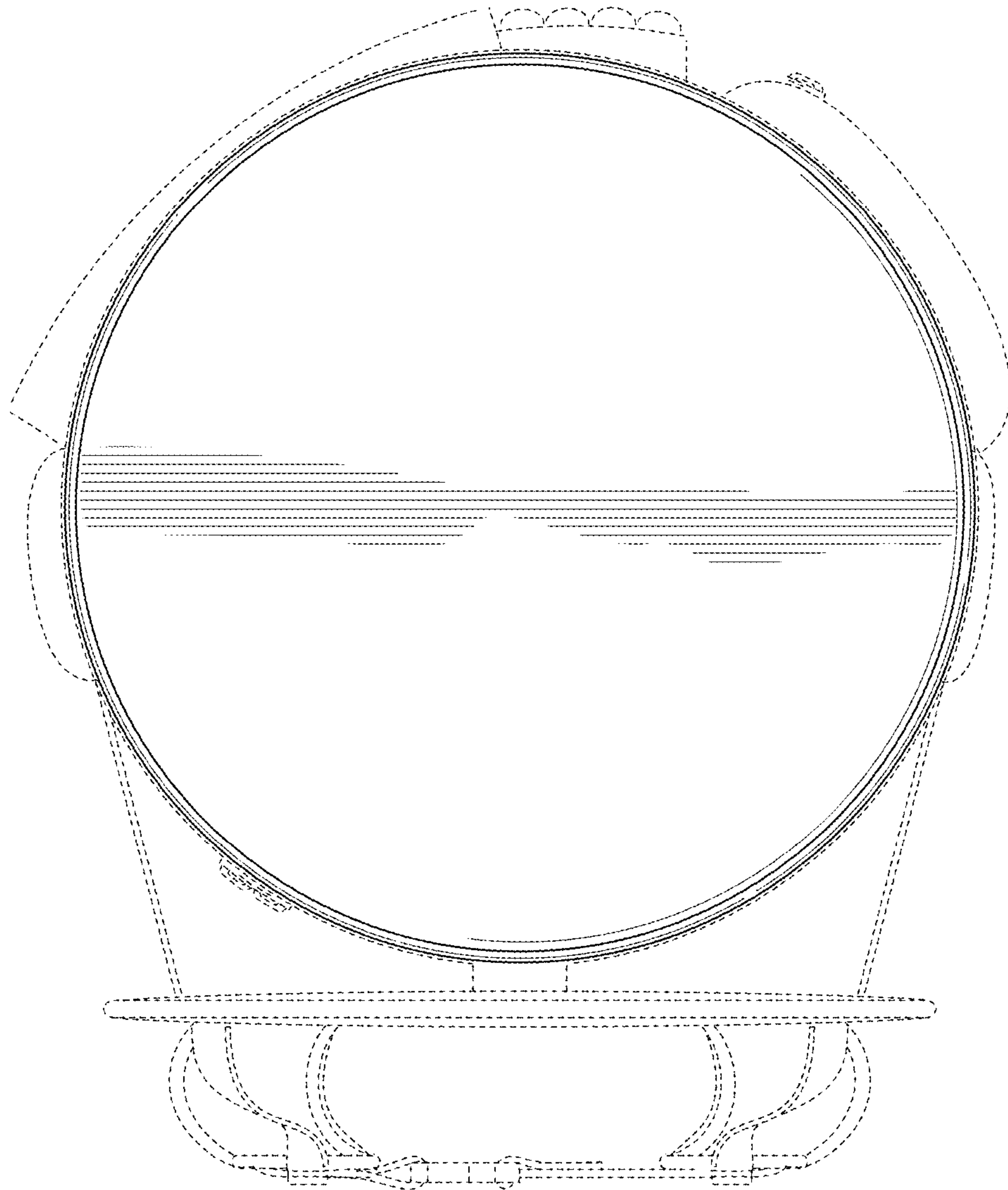


FIG. 14